

SONY®

KD-28DL11U
KD-28DX51U
KD-32DC11U
KD-32DX51U

Quick Start Guide

Thank you for choosing this
**SONY® FD Trinitron Integrated
Digital Television**

This step by step guide will help you to:

Check the supplied accessories,

Insert batteries into the remote control,

Connect an aerial to the TV,

Connect a video cassette recorder (VCR) to the TV,

Switch on the TV,

Tune the TV,

Get to know the remote control.

DVB®
Digital Video
Broadcasting

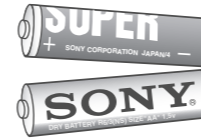
**FD Trinitron
WEGA**

1

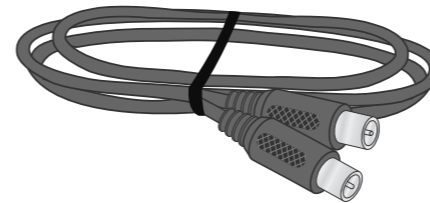
Checking the supplied accessories



Remote control



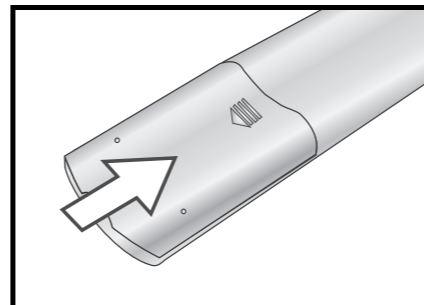
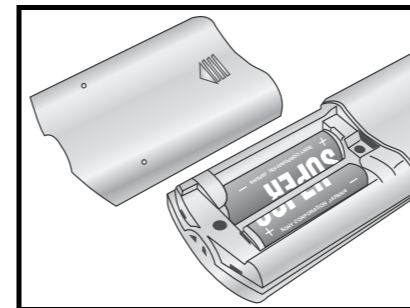
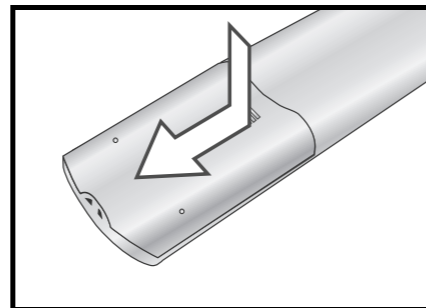
Batteries



RF lead

2

Inserting batteries into the remote control



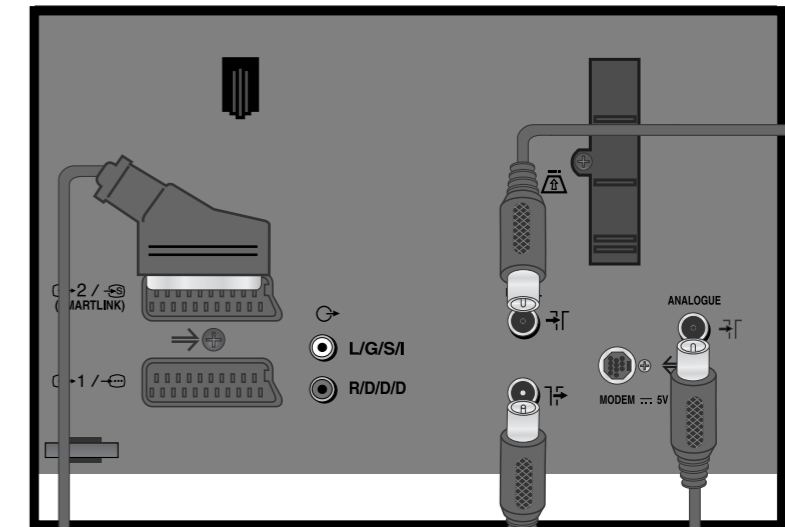
Always remember to:

- observe the correct polarity when inserting batteries,
- dispose of batteries in an environmentally friendly way.

3

Connecting an aerial and VCR to the TV

Rear of TV.



Supplied RF Lead

Rear of VCR

1. Connect your aerial lead to the socket labelled **DIGITAL** on the rear of the TV.
2. Connect an RF lead from the socket labelled **IN*** on your VCR.
3. Connect the supplied RF lead from the socket labelled **OUT*** on your VCR to the socket labelled **ANALOGUE** on the rear of the TV.
4. Connect a fully wired 21-pin scart lead from the socket labelled **2/3** on the rear of the TV to socket labelled **TV*** on your VCR.
5. Insert a pre-recorded tape into the VCR and press the 'PLAY' button. This enables the TV to locate and store the video channel during the 'Automatically tuning the TV' procedure.

*Socket names may vary depending on make and model of VCR. Refer to your VCR instruction manual for details.

**If your VCR does not have a scart socket follow the connecting instructions above ignoring the scart lead connection.

Connecting an aerial only

1. Connect your aerial lead to the socket labelled **DIGITAL** on the rear of the TV.
2. Connect the supplied RF lead from the sockets labelled **IN*** and **ANALOGUE** on the rear of the TV.

4

Switching on the TV

KD-28DL11U



On/Off button

KD-32DC11U



On/Off button

KD-28DX51U / KD-32DX51U



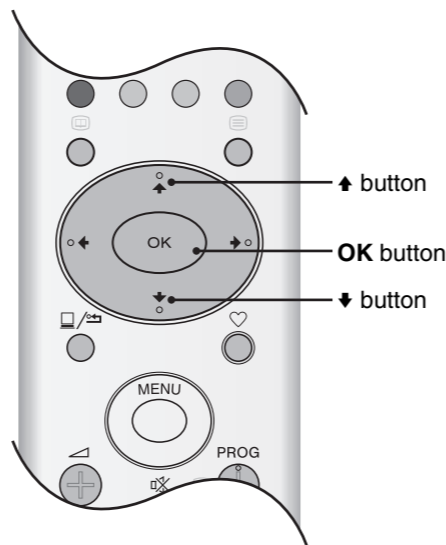
On/Off button

1. Connect the TV plug to your mains socket (220 - 240V AV, 50Hz)
2. Push in the On/Off button (labelled ①) on the front of the TV.

If the red standby mode indicator on the front of the TV is lit, press the TV I/⏻ button on the remote control to switch on the set. Please be patient as the picture may take a few moments to appear on the TV screen.

5

Automatically tuning the TV



The 'Picture Rotation' menu.

If picture slants, please
adjust picture rotation
Not necessary
Adjust now

The 'Autotune' prompt.

Do you want to start
automatic tuning?
Yes
No

1. When you switch on the TV for the first time a language menu appear on screen with the word 'English' highlighted. Press the **▲** or **▼** button to highlight the language you require. Press the **OK** button to confirm. From now on all menus will appear in your chosen language.
2. The 'Picture Rotation' menu appears on the screen asking you to check if the picture is slanted. (Sometimes the Earth's natural magnetism can cause the screen to look slanted.)
 - a) If no correction is required, press the **▲** or **▼** button to highlight 'Not necessary'. Press the **OK** button to continue.
 - b) If some correction is required, press the **▲** or **▼** button to highlight 'Adjust now'. Press the **OK** button to continue. Press the **▲** or **▼** button to correct the slant. Press the **OK** button to store.
3. The autotune prompt appears. Press the **OK** button to select 'Yes'. The autotune procedure begins.
4. The digital autotune display appears on screen and the TV starts to search for all the available digital channels. This may take some time, please be patient and do not press any buttons on the TV or remote control.

If no digital or analogue channels are found, a message appears asking you to confirm that the aerial is connected correctly. Check all the aerial connections and press the **OK** button to start the autotune procedure again.

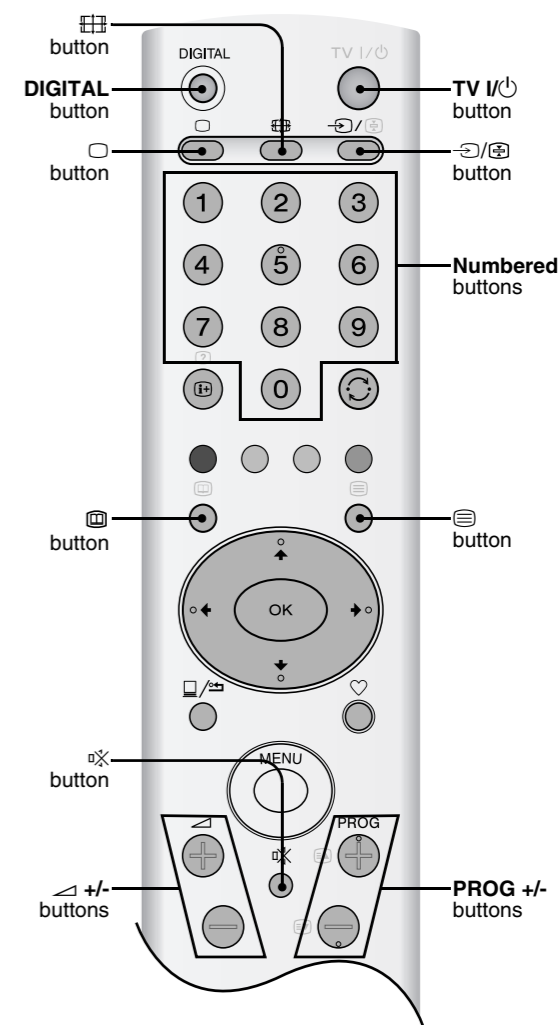
When the digital autotune is complete, the analogue autotune starts to search for all the available analogue channels.

Once all available digital and analogue channels have been stored, the TV returns to normal operation, displaying the digital channel stored on channel number 1. If no digital channels are found, the analogue channel stored on channel 1 is displayed.

**The TV has now tuned
in all the available channels**

6

Basic operation



To	Press
Select channels...	PROG +/- or Numbered buttons. When selecting double digit numbers using the Numbered buttons, enter the second digit within two seconds.
Adjust the volume...	▲ +/- buttons
Mute the sound...	🔇 button. Press again to cancel.
Turn off the TV temporarily...	TV I/⏻ on the remote control. When the TV is in standby mode the ⏻ indicator on the TV is lit red. Press again to return to normal TV operation.
Switch to digital mode...	DIGITAL button.
Switch to analogue mode...	Ⓛ button.
Change the Screen Mode...	📺 button.
Watch pictures from equipment connected to the TV's front and rear sockets (video input mode)...	📺/📺 button repeatedly until the picture appears.
Access text services (depending on availability of service)...	📺 button.
Access the Digital Electronic Programme Guide (EPG)...	📺 button.

Please refer to the main instruction manual for a complete overview of the remote control.