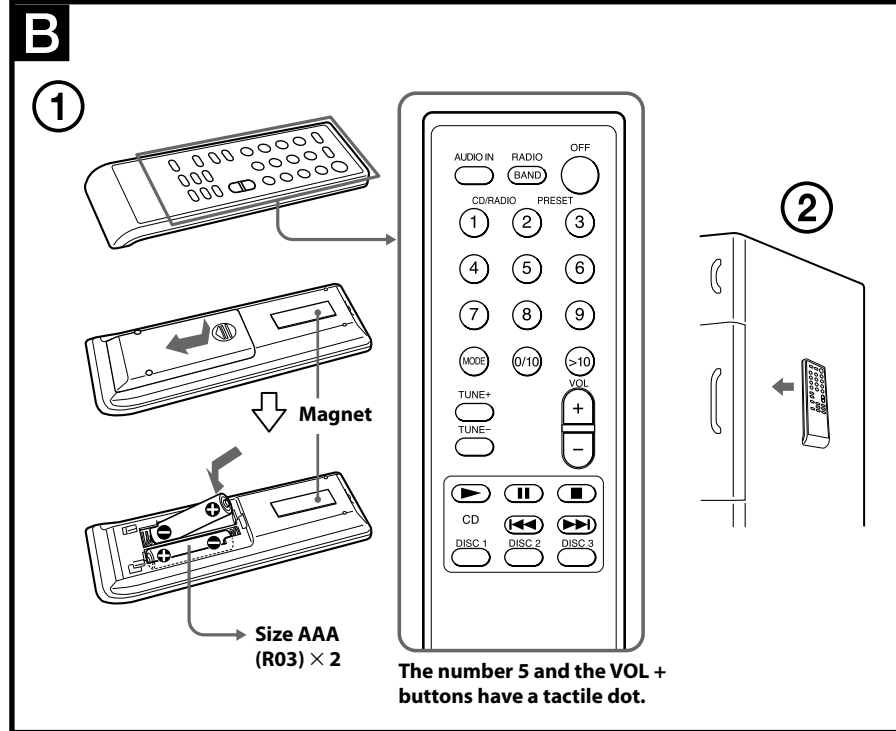


FM/AM CD Kitchen Clock Radio

Operating Instructions
Mode d'emploi (au dos)

ICF-CDK70

© 2007 Sony Corporation Printed in China



Locating a specific track on the remote commander

You can quickly locate any track using the numeric buttons on the remote.

To select a 2-digit number, 15 for example, press >10, 1, and then 5 in sequence on the remote. You can select track numbers up to 99.

About CD-Rs/CD-RWs

This unit is compatible with CD-Rs/CD-RWs but playback capability may vary depending on the quality of the disc, the recording device and application software.

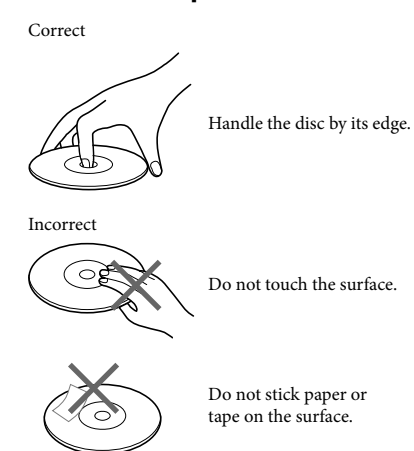
Note on DualDiscs

A DualDisc is a two sided disc product which mates DVD recorded material on one side with digital audio material on the other side. However, since the audio material side does not conform to the Compact Disc (CD) standard, playback on this product is not guaranteed.

Music discs encoded with copyright protection technologies

This product is designed to play back discs that conform to the Compact Disc (CD) standard. Recently, various music discs encoded with copyright protection technologies are marketed by some record companies. Please be aware that among those discs, there are some that do not conform to the CD standard and may not be playable by this product.

To handle compact discs



Note
Discs with non-standard shapes (e.g., heart, square, star) cannot be played on this unit. Attempting to do so may damage the unit. Do not use such discs.

Various modes of CD playback

The CD function selected, press **MODE** while the player is stopped. Each press changes the play mode as follows:

Display Indication	Play Mode (normal play)
None	All tracks on all discs are played once.
"1 DISC"	(single-disc play) All tracks in one disc are played once.
"SHUF"	(all discs shuffle) All tracks on all discs are played once in random order.
"1 DISC SHUF"	(single disc shuffle) All tracks on one disc are played once in random order.
"REP"	(all repeat) All tracks on all the discs are played repeatedly up to five times.
"REP 1"	(single-track repeat) A single track is played repeatedly.

Listening to the radio

Manual tuning

- Press **RADIO/BAND** to turn on the radio. "RADIO" appears in the display. In the display shows the band and frequency for 8 seconds, and then changes back to the current time.
- Press **RADIO/BAND** repeatedly to select the desired band. Each press changes the band as follows: FM ↔ AM
- If "PRESET" appears in the display, press **TUNING MODE** to make "PRESET" disappear.
- Hold down **TUNE/PRESET/TRACK + or -** until the frequency digits begin to change in the display. The unit automatically scans the radio frequencies and stops when it finds a clear station. If you cannot find the station, press **TUNE/PRESET/TRACK + or - (TUNE + or - on the remote)** repeatedly to change the frequency step by step. The FM channel step is set at 0.1 MHz and the AM channel step is set at 10 kHz.
- Adjust the volume with the **VOLUME** control (**VOL + or -** on the remote).

- To turn off the radio, press **OFF**.
 - To check the frequency of the current station, press **RADIO/BAND**. The display shows the band and frequency for 8 seconds, and then changes back to the current time.
- Improving the reception**
- FM:** Extend the AC power cord fully to improve FM reception.
- AM:** When installing the unit, rotate the unit horizontally for optimum reception and then install the unit. A ferrite bar antenna is built into the unit.

Installing the batteries into the remote commander (See fig. B-1)

Insert two size AAA (R03) batteries (not supplied).

When to replace the batteries

- Notes**
- Do not charge the dry batteries.
 - If you do not intend to use the remote for a long time, remove the batteries to prevent damage by leakage and corrosion.

Use of magnet (See fig. B-2)

A magnet is provided on the back of the remote so that it can be attached to a refrigerator or other iron surface. However, do not operate the remote while it is attached in this manner.

Note
Do not place the remote commander near magnetic cards such as credit cards.

Setting the clock

- Plug in the unit. "AM 12:00" flashes in the display.
- Hold down **CLOCK/D.S.T** until a short beep sounds. The hour starts to flash in the display.
- Turn the **TIMER** jog dial towards + or - repeatedly until the correct hour appears in the display.
- Press **TIMER** once. The minute flashes.
- Repeat steps 3 and 4 to set the minute, and press **TIMER**. Two short beeps sound and the seconds start incrementing from zero.



- 12-hour system: "AM 12:00" = midnight
- In step 4 and 5, you can press **CLOCK/D.S.T** instead of **TIMER**.

To the display to summer time (daylight saving time)

Press **CLOCK/D.S.T**. "★" is displayed and the time indication changes to summer time. To deactivate the summer time function, press **CLOCK/D.S.T** again.

Playing a CD

An 8 cm (3-inch) CD can be played without an adaptor.

- Press **OPEN/CLOSE**, and insert a CD onto the disc tray. To insert additional discs, slide the disc tray with your finger as shown below.
- Press **OPEN/CLOSE** to close the disc tray. Do not force the disc tray closed with your finger, as this may damage the unit.
- Press **CD ►II** or **DISC 1, 2, or 3**. "TRACK 01" appears in the display. The player plays all the tracks once.
- Adjust the volume with the **VOLUME** control (**VOL + or -** on the remote).

To	Press
Pause	CD ►II (on the remote)
Resume play after pause	CD ►II again (on the remote)
Cue to the beginning of the current track (AMS*)	◀◀ **
Cue to the beginning of the next track (AMS*)	▶▶ **
Go back at high speed	Hold down ◀◀ **
Go forward at high speed	Hold down ▶▶ **
Locate a previous track (AMS*)	◀◀ repeatedly**
Locate a succeeding track (AMS*)	▶▶ repeatedly**
Stop play	■
Select a disc	DISC 1, 2 or 3
Switch to CD function from another function	CD ►II DISC 1, 2, or 3
Exchange other disc during playback	EX-CHANGE* TUNING MODE

* AMS = Automatic Music Sensor
** These operations are possible during both play and pause.

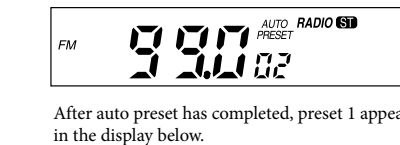
Presetting your favorite station

Preset tuning

You can preset 20 FM stations and 10 AM stations.

Presetting a station (auto preset)

- Press **RADIO/BAND** to turn on the radio.
- Press **RADIO/BAND** repeatedly to select FM or AM.
- Hold down **RADIO/BAND*AUTO PRESET** for 2 seconds or more. "AUTO PRESET" starts flashing.
- Press **EX-CHANGE*TUNING MODE** while "AUTO PRESET" is flashing. Two short beeps sound, auto preset start to function, and then "AUTO PRESET" stops flashing. When the unit tunes in a station, two short beeps sound, scanning stops, and then the station is stored.

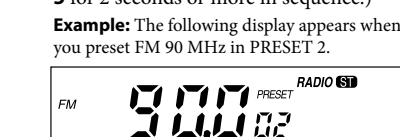


After auto preset has completed, preset 1 appears in the display below.



Presetting a station on the remote commander (manual preset)

- This procedure can be done only with the remote.
- Press **RADIO/BAND** to turn on the radio.
 - Press **RADIO/BAND** repeatedly to select FM or AM.
 - Press **TUNE + or -** repeatedly to tune in the station you want to preset.
 - Hold down the numeric buttons (**1 to 20** for FM, **1 to 10** for AM) you want to store until two short beeps sound. (To store preset a 2-digit number, 15 for example, press >10, 1, and then hold down 5 for 2 seconds or more in sequence.)



To change a preset station

Manually tune in the station you want to store and press the numeric buttons (**1 to 20** for FM, **1 to 10** for AM) on the remote. The previously stored station will be replaced by the new one.

Tuning in to a preset station

- Press **RADIO/BAND** to turn on the radio.
- Press **RADIO/BAND** repeatedly to select FM or AM.
- Press **TUNING MODE**. "PRESET" appears in the display.
- Press the **TUNE/PRESET/TRACK + or -** (or the numeric buttons on the remote) where the desired station is to be stored.
- Adjust the volume with the **VOLUME** control (**VOL + or -** on the remote). After a few seconds, the display returns to the current time, but the preset button number is remained.

Note
Holding down the desired numeric buttons (**1 to 20** for FM, **1 to 10** for AM) on the remote for 2 seconds or more in step 4 will replace the previous station with the station you tuned in.

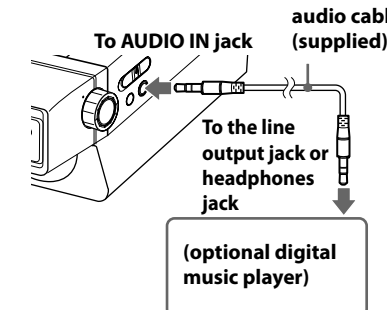
Switching between monaural and stereo

The radio is set for stereo reception as the default setting. When FM stereo reception is good, "ST" appears in the display. If FM stereo reception is poor, set the radio to "Mono". The noise will be reduced, although the sound will not be stereo.

- Press **RADIO/BAND** to turn on the radio.
- Press **RADIO/BAND** repeatedly to select FM.
- Press **MODE**. "Mono" (monaural) or "ST" (stereo) appears in the display. Each press of **MODE** switches the radio between "Mono" and "ST".
- Select "Mono" or "ST". The mode you select appears in the display for a few seconds, and is then replaced by the current time.

Listening to the sound from a connected optional digital music player

- Using the supplied audio cable, connect the **AUDIO IN** jack on the unit to the line output jack or headphones jack on the optional digital music player.

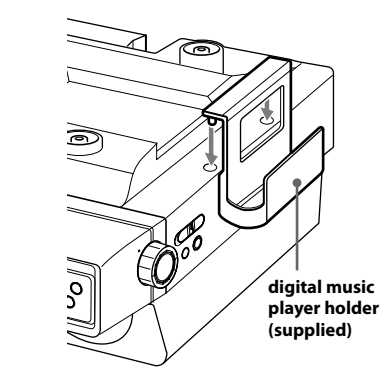


- Press **AUDIO IN**. "AUDIO IN" appears in the display.
- Play the optional digital music player.
- Adjust to the volume with the **VOLUME** control (**VOL + or -** on the remote).

- To turn off the AUDIO IN function, press **OFF**.
- Connect the cable firmly to prevent a malfunction.
- Keep digital music players away from the speakers.

Attaching the supplied digital music player holder

The supplied digital music player holder allows you to place your digital music player onto the unit. Attach the holder as shown below.



Note

Do not place a digital music player weighing more than 500 grams (17.6 oz) on the holder; as this may damage the holder.

Useful function

Obtaining powerful bass

Switch: **MEGA BASS** to **ON**. The "MEGA BASS" system produces a powerful bass sound.

Operating the cooking timer (countdown timer)

The timer can be set for durations of 1 minute to 120 minutes.

- Turn the **TIMER** jog dial towards + until the desired time appears in the display. "TIMER" appears in the display. After setting the time, the current time is displayed again if you do not perform any operation for more than 60 seconds.
- Press **TIMER** once. Timer indicator lights and a short beep sounds. While the timer is operating, the display shows the time remaining. Pressing the **CLOCK/D.S.T** will cause the current time to appear for a few seconds.

Cooking timer ON—

When the time has elapsed, the buzzer will sound and the **TIMER** indicator will flash. Even if the CD, the radio, or **AUDIO IN** function is being played, the buzzer of the timer sounds together. While the buzzer sounds, the volume of the CD, the radio, or **AUDIO IN** function is decreased. The volume returns to the previous volume level when the buzzer stops.

Cooking timer OFF—

The buzzer is turned off automatically after 60 minutes and the display shows current time.

To stop cooking timer

Press **TIMER** to turn off the buzzer. Pressing any button will turn off the buzzer also.

To deactivate cooking timer

Press **TIMER**. The **TIMER** indicator goes off and the current time appears in the display.

When carrying the unit

When carrying the unit, do the following to lock the CD mechanism in order to prevent damaging it.

- Remove all discs from the disc tray.
- Hold down **OFF** and **DISC 1** on the unit until "0000" appears in the display. The unit is locked.
- Disconnect the AC power plug.

Unlocking the CD mechanism

- Reconnect the AC power plug. The unit is unlocked.

Precautions

- Use the power source specified in the "Specifications" to operate the unit.
- To disconnect the power cord (mains lead), pull it out by the plug, not the cord.
- Do not leave the unit in a location near a heat source such as a radiator or air duct, or in a place subject to direct sunlight, excessive dust, mechanical vibration, or shock.
- Allow adequate air circulation to prevent internal heat build-up. Do not place the unit on a surface (a rug, a blanket, etc.) or near material that might block the ventilation holes such as a curtain.
- Should any solid object or liquid fall into the unit, unplug the unit and have it checked by a qualified personnel before operating it any further.
- To clean the casing, use a soft cloth dampened with a mild detergent solution.

If you have any questions or problems concerning your unit, please consult your nearest Sony dealer.

Troubleshooting

Should the problem persists after you have made the following checks, consult your nearest Sony dealer.

- The lamps for **DISC 1 to 3** light up.
 - When you set the clock, the lamps will turn off.
- The clock does not show the correct time.
 - Has an electrical power outage occurred?

- The CD player does not operate.
 - Did you close the disc tray?
 - Did you place the disc correctly? The disc should be placed with the labeled side up.
 - Dusty or defective disc—Clean the disc with an optional cleaning cloth. Wipe the disc from the center out.
 - Take out the CD and leave the CD compartment open for about an hour to allow condensation to evaporate.
- Sporadic loss of sound during CD operation.
 - Dusty or defective disc—Clean or replace the disc.
 - Excessively high volume—Reduce the volume.
 - Strong vibration.

- The CD function does not operate (<L>, <R>, and <S> flash in the display).
 - Hold down **OFF** for 5 seconds.

- There is a noise from the speakers.
 - You may hear a noise when you operate the remote during an AM broadcast.

- The remote does not work.
 - Remove any obstacles between the remote and the remote sensor on the unit, and move the unit away from fluorescent lights.
 - Point the remote at the system's sensor.
 - Move the remote closer to the system.

Specifications

CD player section

System: Compact disc digital audio system
Laser diode properties:
Emission duration: Continuous
Laser output: Less than 44.6 µW
(This output is the value measured at a distance of 200 mm from the objective lens surface on the optical pick-up block with 7 mm aperture.)
Number of channels: 2
Frequency response: 20 – 20 000 Hz ±1 dB
Wow and flutter: Below measurable limit

Radio section

Frequency range:
FM: 87.5 – 108 MHz
AM: 530 – 1 710 kHz
Antennas:
FM: AC power cord
AM: Built-in ferrite bar antenna

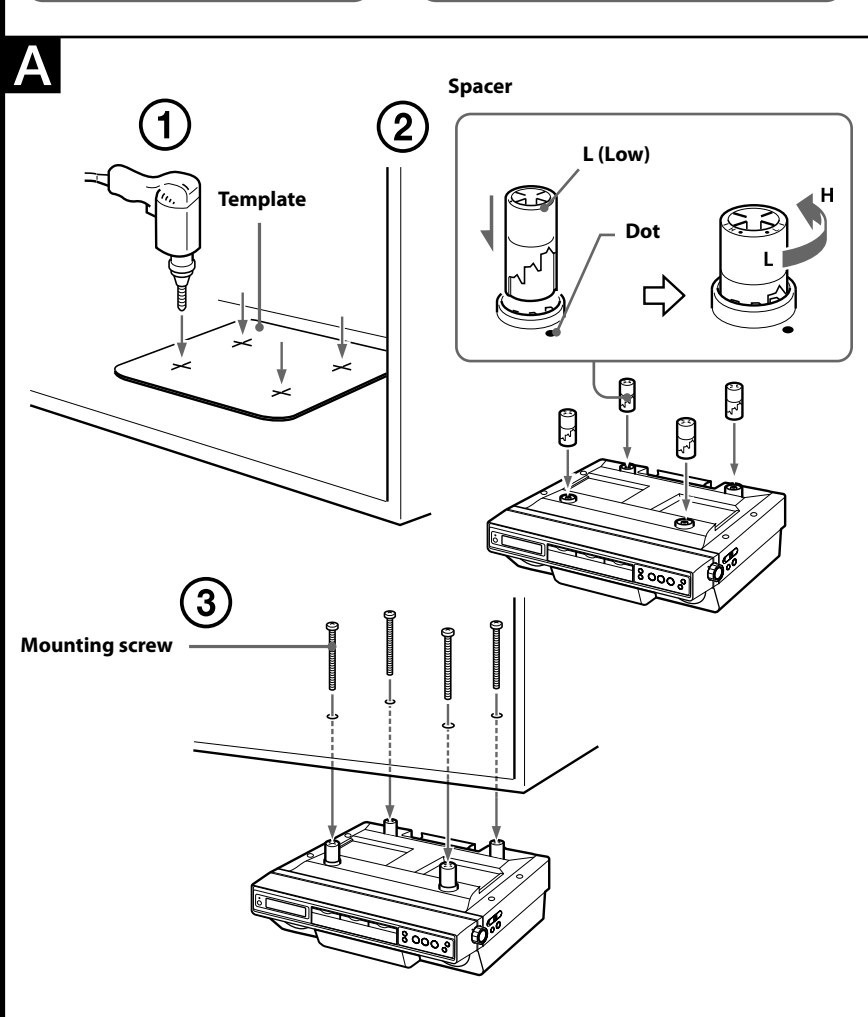
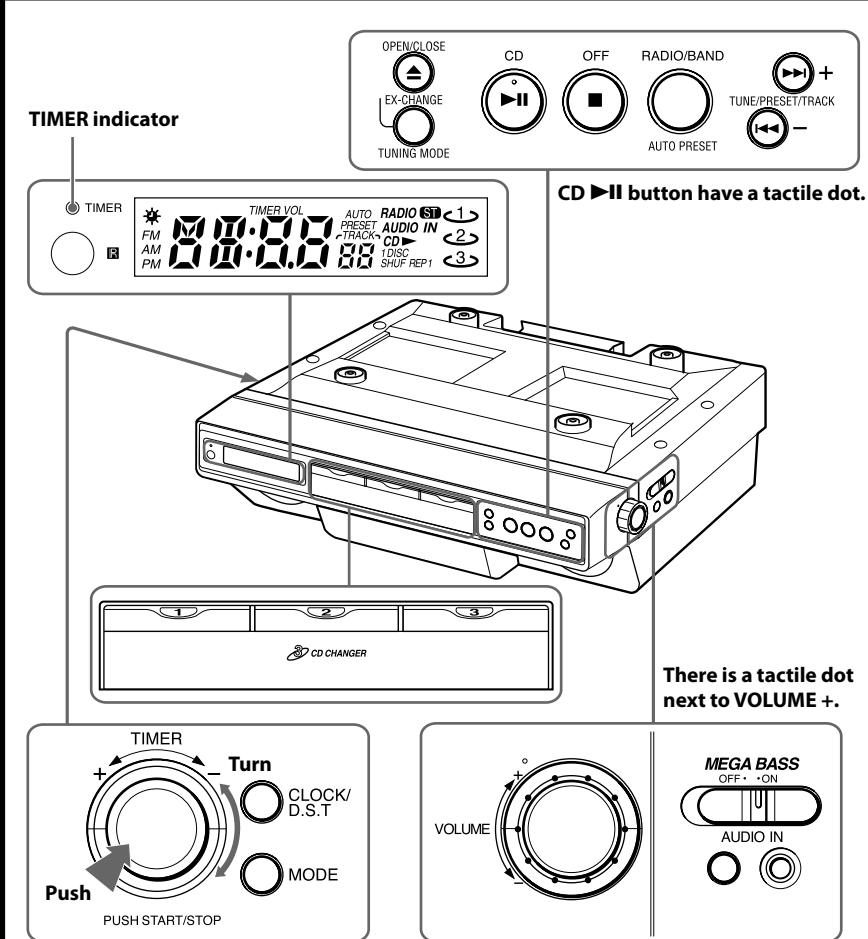
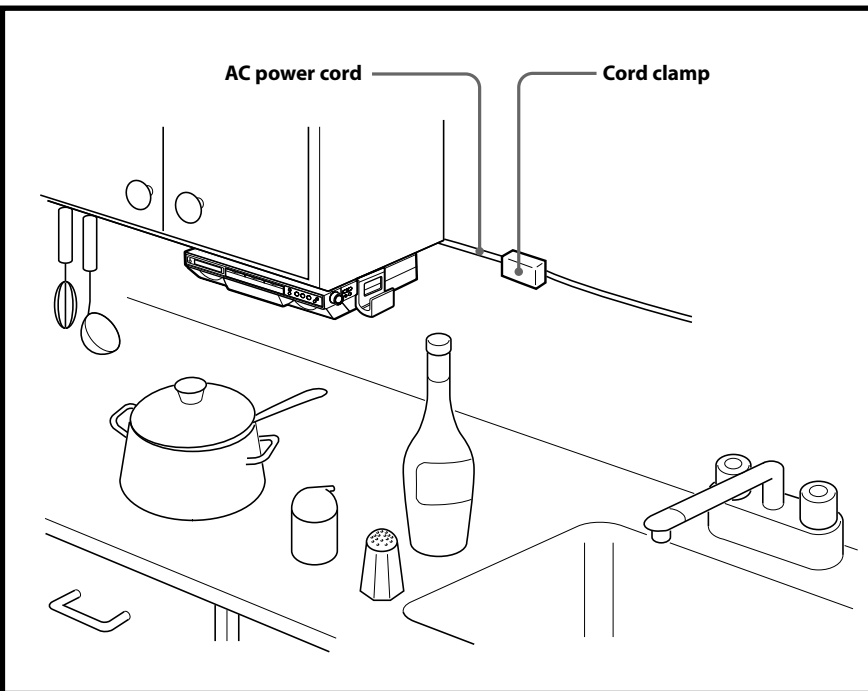
General

Time display: 12-hour system
Speaker: 66 mm (2 5/8 inches) diam., 6 Ω, cone type (2)
Input:
Audio In jack (stereo minijack): minimum input level 245 mV, impedance 47 kΩ
Power outputs:
1.4 W + 1.4 W (at 6 Ω, 10 % harmonic distortion)
Power requirements: 120 V AC, 60 Hz
Dimensions:
Approx. 362 × 105 × 319 mm (w/h/d) (approx. 14 1/2 × 4 1/2 × 12 1/2 inches) incl. projecting parts and controls
Mass: Approx. 3.2 kg (7 lb 10 oz)

Supplied accessories:
mounting screws (M5 screw) (4)
template (1)
spacers (4)
cord clamp (1)
remote commander (1)
audio cable (1)
digital music player holder (1)

Design and specifications are subject to change without notice.

http://www.sony.net/



English

WARNING

To reduce the risk of fire or electric shock, do not expose this apparatus to rain or moisture. To reduce the risk of fire, do not cover the ventilation of the apparatus with newspapers, tablecloths, curtains, etc. And do not place lighted candles on the apparatus.

To reduce the risk of fire or electric shock, do not expose this apparatus to dripping or splashing, and do not place objects filled with liquids, such as vases, on the apparatus.

As the main plug is used to disconnect the unit from the mains, connect the unit to an easily accessible AC outlet. Should you notice an abnormality in the unit, disconnect the main plug from the AC outlet immediately.

The unit is not disconnected from the AC power source (mains) as long as it is connected to the wall outlet, even if the unit switch has been turned off.

Do not install the appliance in a confined space, such as a bookcase or built-in cabinet.

Do not expose the batteries (battery pack or batteries installed) to excessive heat such as sunshine, fire or the like for a long time.

The nameplate and important information concerning safety are located on the top exterior.

CAUTION
The use of optical instruments with this product will increase eye hazard.

Features

- 3-CD changer
- CD-R/RW playback function
- Bass Reflex sound system
- FM/AM Digital Tuner with 30 station presets
- Audio In jack for digital music player connectivity
- Easy-to-set countdown timer for cooking
- Digital music player holder and cable (supplied)
- Magnetic remote commander (supplied)

Installing the unit under a cabinet (See fig. A)

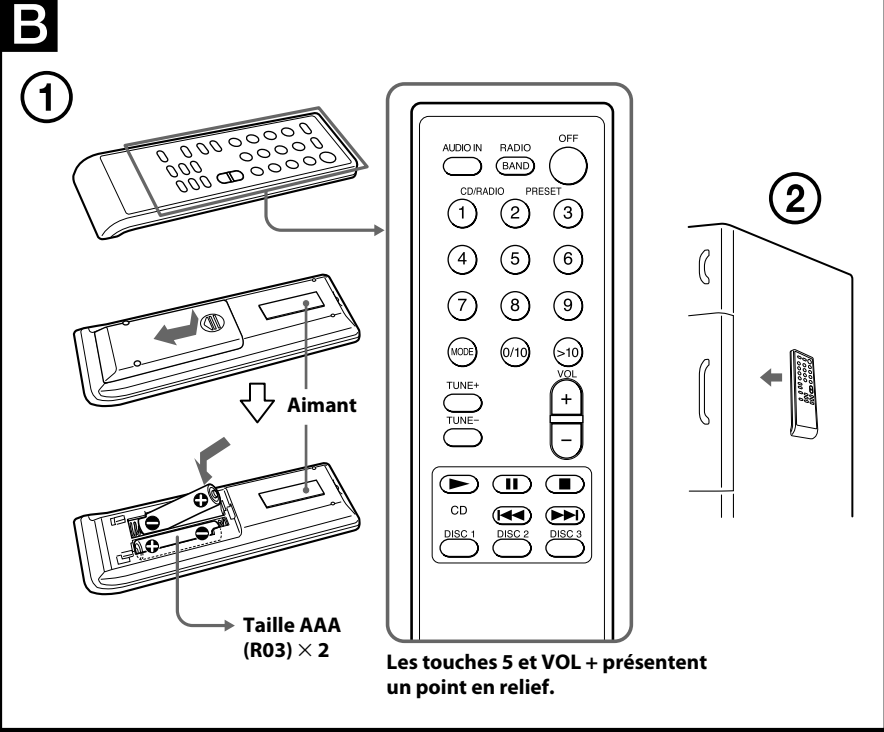
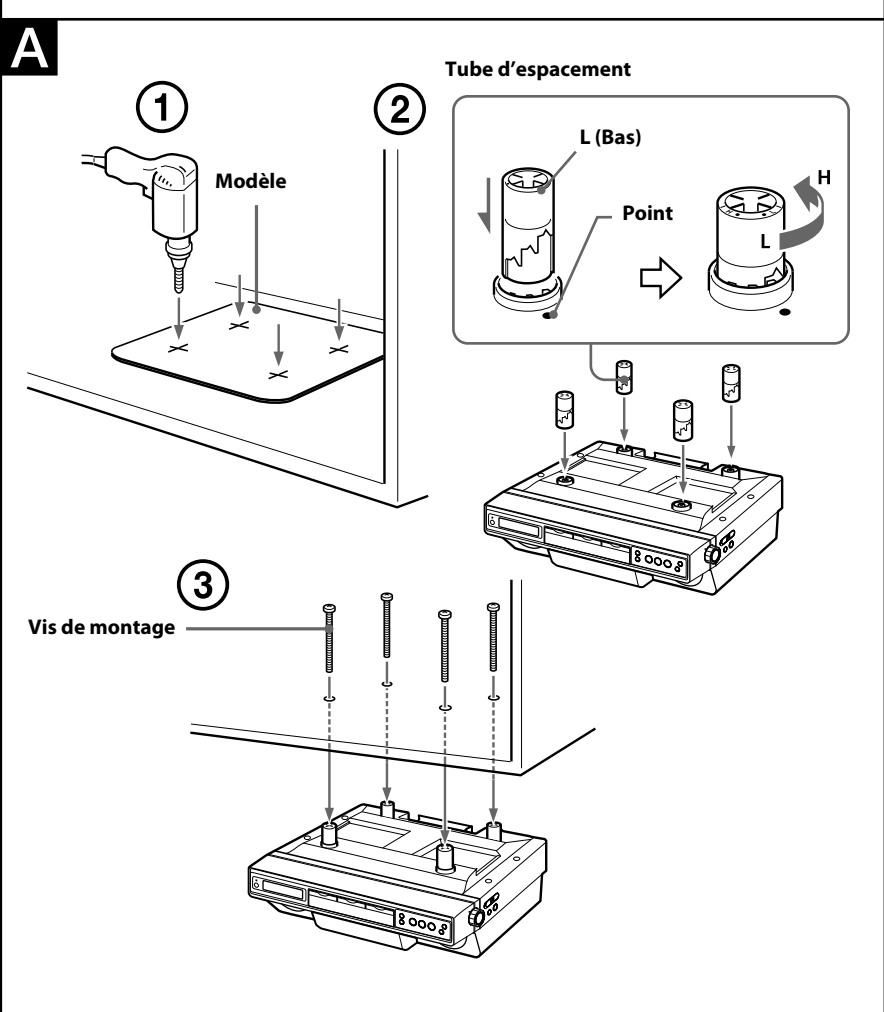
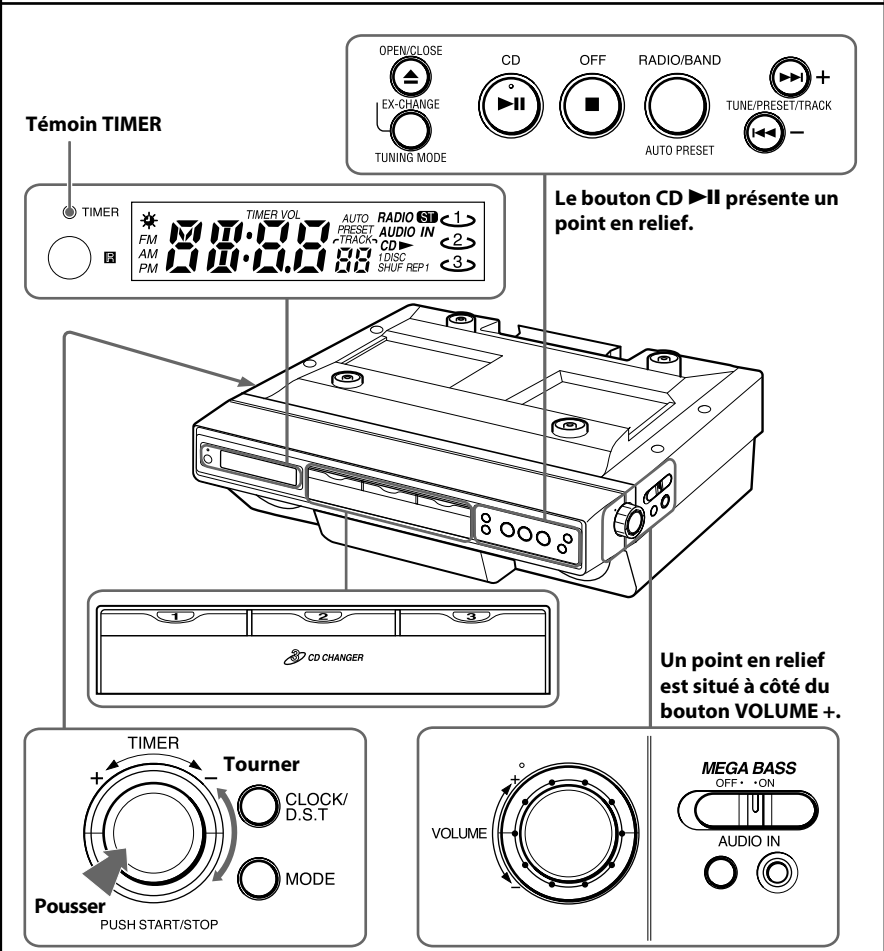
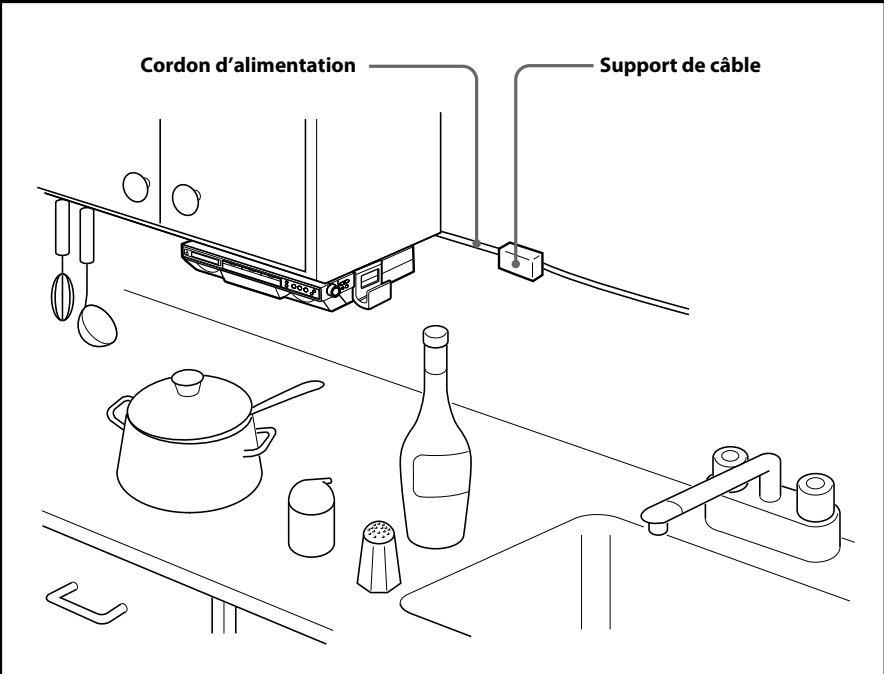
Caution

Please read the following before installing the unit

- Due to its heavy weight, the unit should be installed with great care.
- Installation of the unit requires two persons.
- Use tools carefully while installing of the unit.
- Be sure that the cabinet that is used is sturdy enough to support the weight of the unit.
- To reduce the risk of fire, do not place any heating or cooking appliance beneath this unit.
- Install the unit so that its AC power cord can be connected directly to a wall outlet. Do not use a converter or extension cord.
- Be sure that the AC power cord has no slack during use of the unit, since the cord acts as an FM wire antenna. If the AC power cord has some slack, wind it around the cord hook so as to eliminate the slack.
- The unit has a built-in ferrite bar antenna for AM radio reception. Confirm that AM reception is acceptable before finally attaching the unit.
- Install the unit as far as possible from sources of noise (for example, a refrigerator, microwave oven or fluorescent lamp).
- This unit is not waterproof. Install it where it will not be exposed to splashing by water, as this may damage the unit.
- To reduce the risk of fire or electric shock, do not touch the AC power cord with wet hands.
- Never place objects between the top of the unit and the bottom of the cabinet. This could cause the unit to fall.
- Make sure the unit's four screws are fastened tightly.
- After installing the unit, do not pull down on it or hang something heavy on it.

- Decide on the installation location and orientation of the unit based on the best reception that is possible (see "Improving the Reception").
- Mark the position of the 4 holes by using the supplied template. Use a drill to make the holes (size 6.5 mm diam., 5/16 inch). (See Fig. A-1)
- When the cabinet door overhangs the shelf and obstructs the unit, you can adjust the unit/shelf height. First set the L mark to the dot which becomes the lowest position, then you can adjust the height in 4 steps (H•••L) by turning the spacer counterclockwise (See Fig. A-2). The unit can be installed without the spacer.
- Install the unit with the supplied mounting screws. (See Fig. A-3)

Note
If you lose the supplied screws, please purchase #10 or M5 screws.



Français

AVERTISSEMENT

Afin de réduire les risques d'incendie ou de choc électrique, n'exposez pas cet appareil à la pluie ni à l'humidité.

Pour réduire les risques d'incendie, ne couvrez pas les orifices d'aération de cet appareil avec des papiers journaux, des nappes, des rideaux, etc. Ne placez pas non plus de bougies allumées sur l'appareil.

L'appareil ne doit pas être exposé au suintement ou à des éclaboussures et aucun objet rempli de liquide, tel qu'un vase, ne doit être posé sur l'appareil.

Étant donné que la fiche principale est utilisée pour débrancher l'appareil du réseau électrique, raccordez l'appareil à une prise CA facilement accessible. Si vous constatez que l'appareil ne fonctionne pas normalement, débranchez immédiatement la fiche principale de la prise CA.

L'appareil n'est pas déconnecté de la source d'alimentation (secteur) tant qu'il reste branché sur la prise murale, même s'il a été éteint.

N'installez pas l'appareil dans un espace restreint, comme une bibliothèque ou un meuble encastré.

N'exposez pas les piles (rechargeables ou installées) à une chaleur excessive comme à la lumière du soleil, au feu ou à d'autres sources de chaleur pendant une période prolongée.

La plaque signalétique, ainsi que des informations importantes relatives à la sécurité, sont situées sur l'appareil, à l'extérieur.

ATTENTION
L'utilisation d'instruments optiques avec ce produit augmente les risques pour les yeux.

Fonctions
<ul style="list-style-type: none">Chargeur 3 CD Fonction de lecture des CD-R/RW Système de haut-parleurs Bass Reflex Tuner numérique FM/AM avec 30 stations présélectionnées Entrée audio pour raccorder un lecteur audio numérique Minuteur simple d'utilisation pour la cuisine Support et câble pour lecteur audio numérique (fournis) Télécommande aimantée (fournie)

Installation de l'appareil sous un placard (Voir fig. A)

Attention

Veillez lire les instructions suivantes avant d'installer l'appareil

- Compte tenu de son poids, l'appareil doit être installé avec précaution.
- L'installation de l'appareil doit être effectuée par deux personnes.
- Utilisez vos outils avec précaution lors de l'installation de l'appareil.
- Assurez-vous que le placard sous lequel vous allez fixer l'appareil est suffisamment solide pour supporter son poids.
- Afin de réduire les risques d'incendie, ne placez aucun appareil de chauffage ou de cuisson sous l'appareil.
- Installez l'appareil de manière à pouvoir brancher directement le cordon d'alimentation à une prise murale. N'utilisez pas de transformateur ou de rallonge électrique.
- Veillez à ce que le cordon d'alimentation ne soit pas lâche pendant le fonctionnement de l'appareil car il fait office d'antenne FM. Si le cordon d'alimentation n'est pas assez tendu, enroulez-le autour du support de câble.
- L'appareil dispose d'une antenne en ferrite intégrée pour la réception des ondes radio AM. Vérifiez que la réception AM est correcte avant de fixer définitivement l'appareil.
- Installez l'appareil aussi loin que possible de toute source de bruit (par exemple, un réfrigérateur, un four à micro-ondes ou un néon).
- Cet appareil n'est pas résistant à l'eau. Installez-le dans un endroit ne présentant aucun risque d'éclaboussure afin d'éviter tout dommage.
- Afin de réduire les risques d'incendie ou d'électrocution, ne touchez pas le cordon d'alimentation avec les mains mouillées.
- Ne placez jamais d'objets entre le dessus de l'appareil et le dessous du placard. Vous risqueriez de faire tomber l'appareil.
- Assurez-vous que les quatre vis de l'appareil sont fermement serrées.
- Après avoir installé l'appareil, ne tirez pas dessus et n'y accrochez aucun objet lourd.

- Installez et orientez l'appareil de façon à obtenir la meilleure réception possible (Voir « Amélioration de la réception »).
- Marquez l'emplacement des 4 trous à l'aide du modèle fourni. Percez les trous à l'aide d'une perceuse (foret de 6,5 mm de diamètre, 7/32 po.). (Voir fig. A-①)
- Si la partie inférieure de la porte dépasse du placard et gêne l'accès à l'appareil, vous pouvez régler l'intervalle entre l'appareil et le placard. Placez tout d'abord la marque L en face du point ; l'appareil est alors dans la position la plus basse. Vous pouvez ensuite régler la hauteur selon 4 niveaux (H*•L) en tournant le tube d'espacement dans le sens inverse des aiguilles d'une montre (Voir fig. A-②). L'appareil peut être installé sans tube d'espacement.
- Installez l'appareil à l'aide des vis fournies. (Voir fig. A-③)

Remarque
Si vous perdez les vis fournies, achetez des vis n° 10 ou M5.

Installation des piles dans la télécommande (Voir fig. B-①)

Insérez deux piles AAA (R03) (non fournies).

Remplacement des piles

Les piles doivent fonctionner pendant environ six mois pour une utilisation normale. Lorsque la télécommande ne fonctionne plus, remplacez toutes les piles par des piles neuves.

- Remarques**
- Ne rechargez pas des piles sèches.
- Si vous n'utilisez pas la télécommande pendant une longue période, retirez les piles afin d'éviter tout risque de fuite ou de corrosion.

Utilisation de l'aimant (Voir fig. B-②)

Un aimant est installé à l'arrière de la télécommande, de sorte qu'elle puisse être fixée sur un réfrigérateur ou toute autre surface métallique. Toutefois, évitez toujours à détacher la télécommande avant de l'utiliser.

Remarque
Ne placez pas la télécommande à proximité de cartes magnétiques telles que des cartes bancaires.

Réglage de l'horloge

- Branchez l'appareil. « AM 12:00 » clignote sur l'écran.
- Maintenez le bouton **CLOCK/D.S.T** enfoncé jusqu'à ce que l'appareil émette un bref signal sonore. L'heure commence à clignoter sur l'écran.



- Tournez la molette de sélection **TIMER** vers + ou − de manière répétée jusqu'à ce que l'heure correcte s'affiche à l'écran.

- Appuyez une fois sur **TIMER**. Les minutes se mettent à clignoter.



- Répétez les étapes 3 et 4 pour régler les minutes, puis appuyez sur **TIMER**. L'appareil émet deux signaux sonores brefs, puis les secondes commencent à défiler.

- Système réglé sur 12 heures : « AM 12:00 » = minuit
- Lors des étapes 4 et 5, vous pouvez appuyer sur le bouton **CLOCK/D.S.T** au lieu d'appuyer sur la molette de sélection **TIMER**.

Passage à l'heure d'été

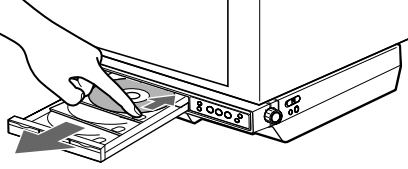
Appuyez sur **CLOCK/D.S.T**.

✱ s'affiche et l'horloge passe à l'heure d'été. Pour désactiver la fonction heure d'été, appuyez à nouveau sur **CLOCK/D.S.T**.

Lecture d'un CD

L'appareil lit les CD 8 cm (3 po.) sans adaptateur.

- Appuyez sur **OPEN/CLOSE** ⬆ puis placez un CD sur le plateau. Pour insérer des disques supplémentaires, faites glisser le plateau avec vos doigts comme illustré ci-dessous.



- Appuyez sur **OPEN/CLOSE** ⬆ pour fermer le plateau. Ne forcez pas la fermeture du plateau, vous risqueriez d'endommager l'appareil.
- Appuyez sur **CD** ▶ ou **DISC 1, 2 ou 3**. Le lecteur lit toutes les pistes une fois.
- Réglez le volume à l'aide du bouton **VOLUME** (**VOL +** ou − sur la télécommande).

Pour	Appuyez sur
Activer le mode pause	CD ▶ ou DISC 1 (sur la télécommande)
Reprendre la lecture après une pause	CD ▶ à nouveau ou DISC 1 (sur la télécommande)
Revenir au début de la piste en cours (AMS*)	◀ ▶
Passer au début de la piste suivante (AMS*)	▶ ▶
Activer le mode retour rapide	◀ ▶ (appui long)
Activer le mode avance rapide	▶ ▶ (appui long)
Revenir à une piste précédente (AMS*)	◀ ▶ (appui répété) (AMS*)
Passer à une piste suivante (AMS*)	▶ ▶ (appui répété) (AMS*)
Arrêter la lecture	■
Sélectionner un disque	DISC 1, 2 ou 3
Basculer vers la fonction CD à partir d'une autre fonction	CD ▶ ou DISC 1, 2 ou 3
Changer de disque pendant la lecture	EX-CHANGE* TUNING MODE

* AMS = recherche automatique des plages (Automatic Music Sensor)
** Ces opérations peuvent être effectuées en cours de lecture ou en mode pause.

Recherche d'une piste spécifique à l'aide de la télécommande

Vous pouvez sélectionner rapidement n'importe quelle piste à l'aide des touches numériques de la télécommande.

- Appuyez sur les touches **0 à 9** de la télécommande pour sélectionner une piste. Pour sélectionner une piste à 2 chiffres, par exemple 15, appuyez dans l'ordre sur les touches **>10, 1**, puis **5** de la télécommande. Vous pouvez sélectionner des numéros de piste allant jusqu'à 99.

A propos des CD-R/CD-RW

Cet appareil est compatible avec les CD-R/CD-RW ; cependant la capacité de lecture peut varier selon la qualité du disque, du matériel de gravure et du logiciel utilisé.

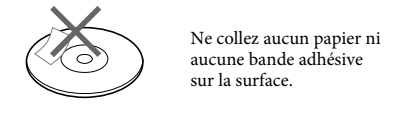
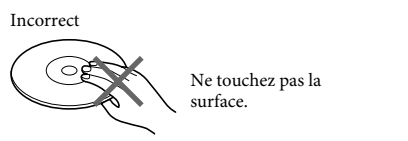
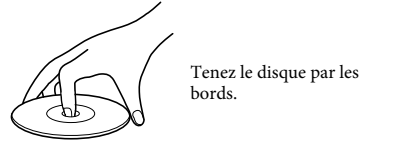
Remarque sur les DualDiscs
Un DualDisc est un disque double face qui comporte les données d'un DVD sur une face et des données audio numériques sur l'autre face. La face du contenu audio des DualDiscs n'étant pas conforme à la norme Compact Disc (CD), la lecture de ces disques sur cet appareil n'est pas garantie.

Disques audio encodés par des technologies de protection des droits d'auteur

Cet appareil est conçu pour la lecture de disques conformes à la norme Compact Disc (CD). Récemment, des disques audio encodés par des technologies de protection des droits d'auteur ont été mis en vente par certaines compagnies de disques. Veillez noter que, parmi ces disques, certains ne sont pas conformes à la norme CD et qu'il est possible qu'ils ne puissent pas être lus sur cet appareil.

Manipulation des CD

Correct



Remarque
Les disques présentant des formes non conventionnelles (en cœur, carré, étoile, par ex.) ne sont pas pris en charge par cet appareil. Si vous tentez de les lire, vous risquez d'endommager l'appareil. N'utilisez pas ce type de disques.

Plusieurs modes de lecture de CD

Les pistes peuvent être lues de manière répétée ou aléatoire.

Lorsque la fonction CD est sélectionnée, appuyez sur le bouton **MODE** quand le lecteur est arrêté.

A chaque pression, le mode de lecture change comme suit :

Indication à l'écran	Mode de lecture
Aucune	(lecture normale)
« 1 DISC »	(lecture d'un seul disque)
Toutes les pistes d'un disque sont lues une fois.	
« SHUF »	(lecture aléatoire de tous les disques)
Toutes les pistes de chaque disque sont lues une fois dans un ordre aléatoire.	
« 1 DISC SHUF »	(lecture aléatoire d'un disque)
Toutes les pistes d'un disque sont lues une fois dans un ordre aléatoire	
« REP »	(répétition de toutes les pistes)
Toutes les pistes de chaque disque sont lues en boucle, jusqu'à 5 fois.	
« REP 1 »	(répétition d'une seule piste)
Une seule piste est lue en boucle.	

Ecoute de la radio

— Recherche manuelle des stations

- Appuyez sur **RADIO/BAND** pour allumer la radio. « RADIO » apparaît à l'écran. L'écran affiche la bande et la fréquence pendant 8 secondes, puis bascule en mode horloge.
- Appuyez sur **RADIO/BAND** plusieurs fois pour sélectionner la bande souhaitée. A chaque pression, la bande change comme suit : FM ↔ AM
- Si « PRESET » s'affiche à l'écran, appuyez sur **TUNING MODE** pour le faire disparaître.
- Maintenez **TUNE/PRESET/TRACK +** ou − enfoncé jusqu'à ce que la fréquence commence à changer sur l'écran. L'appareil recherche automatiquement les fréquences radio, puis s'arrête à la réception nette d'une station. Si vous ne parvenez pas à trouver une station, appuyez sur **TUNE/PRESET/TRACK +** ou − (**TUNE +** ou − sur la télécommande) plusieurs fois jusqu'à obtenir la fréquence souhaitée. Les canaux FM augmentent ou diminuent par incréments de 0,1 MHz et les canaux AM par incréments de 10 kHz.
- Réglez le volume à l'aide du bouton **VOLUME** (**VOL +** ou − sur la télécommande).

- Pour éteindre la radio, appuyez sur **OFF** ■.
- Pour connaître la fréquence de la station que vous écoutez, appuyez sur **RADIO/BAND**. L'écran affiche la bande et la fréquence pendant 8 secondes, puis bascule en mode horloge.

Amélioration de la réception

FM : tendez bien le cordon d'alimentation pour améliorer la réception FM.

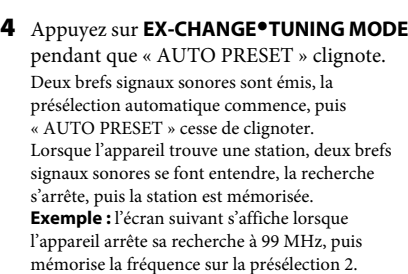
AM : lors de l'installation de l'appareil, faites-le pivoter horizontalement afin d'obtenir une réception optimale, puis fixez-le. L'appareil est équipé d'une antenne barre de ferrite intégrée.

Présélection de vos stations préférées — Mémorisation

Vous pouvez mémoriser 20 stations FM et 10 stations AM.

Présélection d'une station (présélection automatique)

- Appuyez sur **RADIO/BAND** pour allumer la radio.
- Appuyez sur **RADIO/BAND** plusieurs fois pour sélectionner FM ou AM.
- Maintenez **RADIO/BAND*AUTO PRESET** enfoncé pendant au moins 2 secondes. « AUTO PRESET » commence à clignoter.



Une fois la présélection automatique terminée, preset 1 s'affiche dans l'écran ci-dessous.

- Appuyez sur **RADIO/BAND** pour allumer la radio.
- Appuyez sur **RADIO/BAND** plusieurs fois pour sélectionner FM ou AM.
- Appuyez plusieurs fois sur **TUNE +** ou − pour rechercher la station que vous souhaitez présélectionner.

- Maintenez les touches numériques (de 1 à 20 pour la bande FM et de 1 à 10 pour la bande AM) enfoncées pour sélectionner le numéro de présélection sur lequel vous souhaitez enregistrer la station jusqu'à l'émission de deux brefs signaux sonores. (Pour enregistrer une station sur un numéro de présélection à deux chiffres, 15 par exemple, appuyez consécutivement sur **>10, 1**, puis maintenez la touche **5** enfoncée pendant au moins 2 secondes.) **Exemple** : l'écran suivant s'affiche lorsque vous enregistrez FM 90 MHz sur le numéro de présélection 2.



Modification d'une station présélectionnée

Recherchez manuellement la station que vous souhaitez mémoriser, puis appuyez sur les touches numériques (de 1 à 20 pour la bande FM et de 1 à 10 pour la bande AM) de la télécommande. La station précédemment mémorisée est remplacée par la nouvelle.

Recherche d'une station présélectionnée

- Appuyez sur **RADIO/BAND** pour allumer la radio.
- Appuyez sur **RADIO/BAND** plusieurs fois pour sélectionner FM ou AM.
- Appuyez sur **TUNING MODE**. « PRESET » apparaît à l'écran.
- Appuyez sur **TUNE/PRESET/TRACK +** ou − (ou sur les touches numériques de la télécommande) pour sélectionner le numéro de présélection sur lequel la station est enregistrée.
- Réglez le volume à l'aide du bouton **VOLUME** (**VOL +** ou − sur la télécommande). Après quelques secondes, l'affichage retourne en mode horloge, mais le numéro de présélection reste affiché.

Remarque
Si vous maintenez enfoncées les touches numériques souhaitées (de 1 à 20 pour la bande FM et de 1 à 10 pour la bande AM) sur la télécommande pendant au moins 2 secondes à l'étape 4, la station précédemment mémorisée est remplacée par la station en cours.

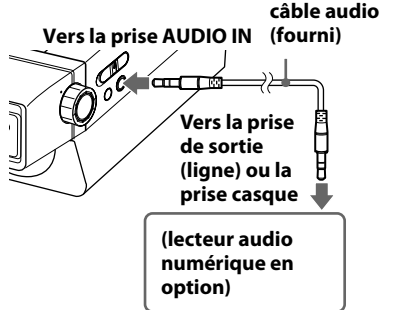
Basculement entre les modes mono et stéréo

La radio est configurée par défaut pour une réception stéréo. Lorsque la réception FM stéréo est bonne, « STEREO » s'affiche à l'écran. Si la réception FM stéréo est mauvaise, basculez en mode « Mono ». Les interférences seront réduites, mais le son ne sera plus en stéréo.

- Appuyez sur **RADIO/BAND** pour allumer la radio.
- Appuyez sur **RADIO/BAND** plusieurs fois pour sélectionner FM.
- Appuyez sur **MODE**. « Mono » (monaural) ou « ST » (stéréo) s'affiche à l'écran. Chaque fois que vous appuyez sur le bouton **MODE**, la radio bascule entre les modes « Mono » et « ST ».
- Sélectionnez « Mono » ou « ST ». Le mode sélectionné s'affiche à l'écran pendant quelques secondes, puis l'affichage retourne en mode horloge.

Ecoute de musique à partir d'un lecteur audio numérique connecté (en option)

- À l'aide du câble audio fourni, connectez la prise **AUDIO IN** de l'appareil à la prise de sortie (ligne) ou à la prise casque du lecteur audio numérique en option.



- Appuyez sur **AUDIO IN**. « AUDIO IN » s'affiche à l'écran.
- Lancez la lecture sur le lecteur audio en option.
- Réglez le volume à l'aide du bouton **VOLUME** (**VOL +** ou − sur la télécommande).

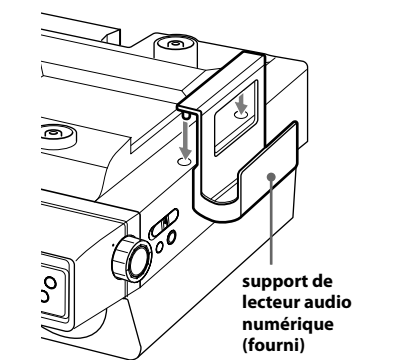
• Pour désactiver la fonction AUDIO IN, appuyez sur **OFF** ■.

Remarques
• Vérifiez que le câble est bien branché afin d'éviter tout dysfonctionnement.
• Ne placez pas un lecteur audio numérique à proximité des haut-parleurs.

Fixation du support de lecteur audio numérique fourni

Le support de lecteur audio numérique fourni vous permet de placer votre lecteur audio numérique sur l'appareil.

Fixez le support comme indiqué ci-dessous.



Remarque
Ne placez pas un lecteur audio numérique pesant plus de 500 grammes (17,6 oz), vous risqueriez d'endommager le support.

Fonction utile

Amplification des basses

Mettez la fonction **MEGA BASS** en position **ON**. Le système « MEGA BASS » permet d'amplifier les basses.

Utilisation du minuteur de cuisine (compte à rebours)

Le minuteur peut être utilisé pour des durées allant de 1 minute à 120 minutes.

- Tournez la molette de sélection **TIMER** vers + jusqu'à ce que le temps souhaité s'affiche à l'écran. « TIMER » apparaît à l'écran. Une fois que vous avez réglé la durée, l'affichage bascule en mode horloge si aucune opération n'est effectuée au bout de 60 secondes.

- Appuyez une fois sur **TIMER**. Le témoin du minuteur s'allume et un bref signal sonore se fait entendre. Pendant le fonctionnement du minuteur, l'écran affiche le temps restant. Si vous appuyez sur le bouton **CLOCK/D.S.T**, l'heure s'affiche pendant quelques secondes.

Minuteur en position ON—

Une fois le temps écoulé, l'alarme retentit et **TIMER** clignote. Même si vous utilisez le lecteur CD, la radio ou la fonction **AUDIO IN**, l'alarme du minuteur se déclenche. Lorsque l'alarme se met à sonner, le volume du CD, de la radio ou de la fonction **AUDIO IN** diminue. Dès que l'alarme s'arrête, le volume revient au niveau précédent.

Minuteur en position OFF—

L'alarme s'arrête automatiquement après 60 minutes et l'affichage retourne en mode horloge.

Arrêt du minuteur de cuisine

Appuyez sur **TIMER** pour arrêter l'alarme.

Notez que vous pouvez appuyer sur n'importe quel autre bouton pour arrêter l'alarme.

Désactivation du minuteur

Appuyez sur **TIMER**. **TIMER** disparaît de l'écran et l'affichage bascule en mode horloge.

Déplacement de l'appareil

Lorsque vous déplacez l'appareil, effectuez les opérations suivantes afin de verrouiller le mécanisme du lecteur CD et éviter tout dommage.

- Retirez tous les disques du plateau.
- Maintenez les boutons **OFF** ■ et **DISC 1** enfoncés jusqu'à ce que « 00:00 » s'affiche à l'écran. L'appareil est alors verrouillé.
- Débranchez le cordon d'alimentation.

Déverrouillage du mécanisme du lecteur CD

- Rebranchez le cordon d'alimentation. L'appareil est alors déverrouillé.

Précautions

- Utilisez la source d'alimentation indiquée à la section « Spécifications » pour faire fonctionner l'appareil.
- Pour débrancher le cordon d'alimentation (secteur), tirez sur la fiche et non sur le cordon.
- Ne laissez pas l'appareil à proximité d'une source de chaleur, telle qu'un radiateur ou un conduit de ventilation, ou dans un endroit directement exposé au soleil, à la poussière, aux vibrations mécaniques ou aux chocs.
- Placez l'appareil dans un endroit bien ventilé afin d'éviter une surchauffe interne. Ne placez pas l'appareil sur une surface (tapis, couverture, etc.) ou à proximité d'un matériau pouvant obstruer les orifices de ventilation, tel qu'un rideau.
- Si un objet solide ou un liquide s'introduit dans l'appareil, débranchez-le et faites-le vérifier par un spécialiste avant de l'utiliser à nouveau.
- Pour nettoyer le boîtier, utilisez un chiffon doux imprégné d'une solution détergente neutre.

Si vous avez des questions ou des problèmes concernant cet appareil, veuillez contacter votre revendeur Sony le plus proche.

Dépannage

Si le problème persiste après avoir effectué les vérifications suivantes, contactez votre revendeur Sony le plus proche.

- Les témoins DISC 1 à 3 s'allument.**
 - Lorsque vous réglez l'horloge, les témoins s'éteignent.

L'horloge n'affiche pas l'heure correcte.

- Une panne de courant s'est-elle produite ?

Le lecteur CD ne fonctionne pas.

- Le disque est-il correctement inséré ?
- Le disque doit-être inséré avec la face imprimée vers le haut.
- Le disque est poussiéreux ou défectueux : nettoyez le disque avec un chiffon de nettoyage (en option