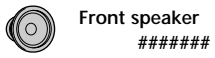


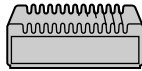
#####

Equipment used in illustrations (not supplied)

#####



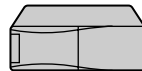
Front speaker
#####



Power amplifier
#####



Rear speaker
#####



CD/MD changer
#####

For connecting two or more changers, the source selector XA-C30 (optional) is necessary.

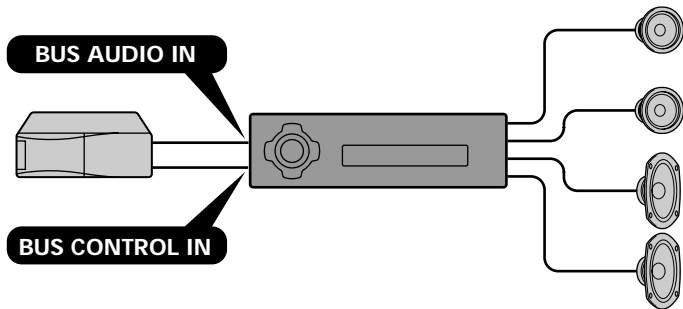
#####

FM/MW/SW Cassette Car Stereo

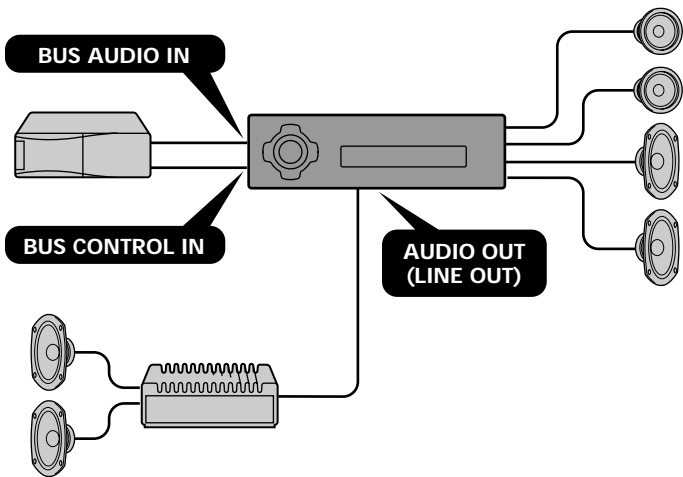
Installation/Connections

#####

A



B

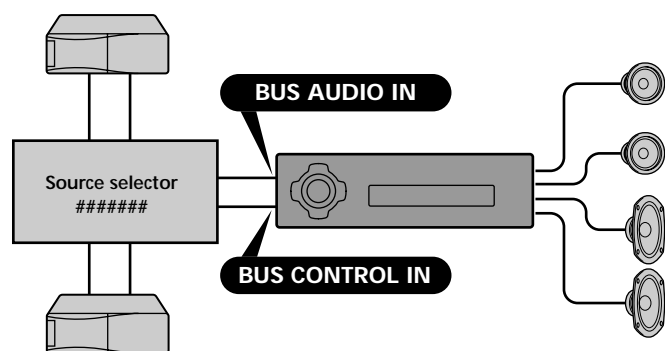


Notes

- Be sure to connect the earth cord before connecting the amplifier.
- If you connect an optional power amplifier and do not use the built-in amplifier, the beep sound will be deactivated.

#####

C



XR-C2604J

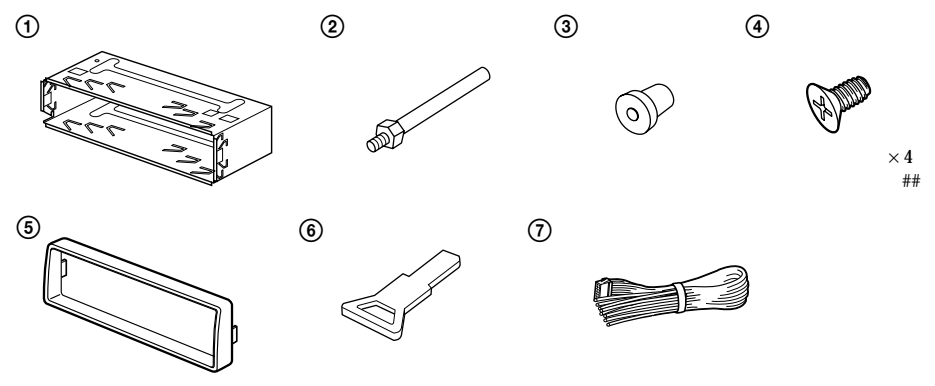
Sony Corporation © 2000 Printed in Japan

Parts list

#####

The numbers in the list are keyed to those in the instructions.

#####



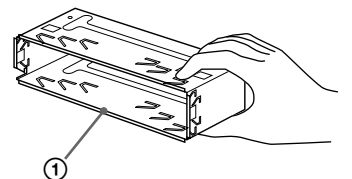
The release key ⑤ is used for dismantling the unit. See the Operating Instructions manual for details.

#####

Cautions

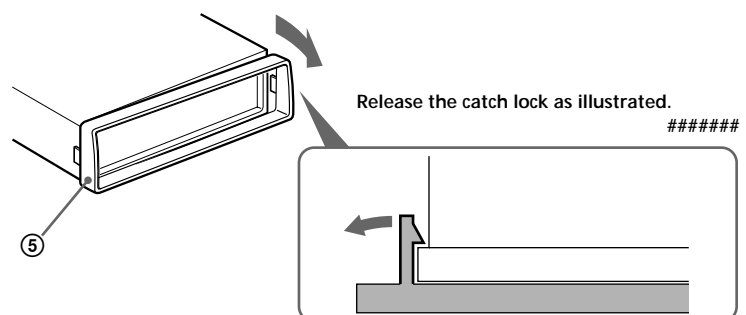
- Cautionary notice for handling the bracket ①. Handle the bracket carefully to avoid injuring your fingers.
- Remove the protection collar ⑤ before installing.

#####



Release the catch lock as illustrated.

#####



Installation

#####

Precautions

- Choose the installation location carefully so that the unit will not interfere with normal driving.
- Avoid installing the unit in areas subject to dust, dirt, excessive vibration, or high temperatures, such as in direct sunlight or near heater ducts.
- Use only the supplied mounting hardware for a safe and secure installation.

Mounting angle adjustment

Adjust the mounting angle to less than 20°.

#####

- #####
- #####
- #####

#####

How to detach and attach the front panel

Before installing the unit, detach the front panel.

A To detach

Before detaching the front panel, be sure to press **OFF**. Press **RELEASE**, then slide the front panel a little to the left, and pull it off towards you.

B To attach

Attach part **A** of the front panel to part **B** of the unit as illustrated and push the left side into position until it clicks.

#####

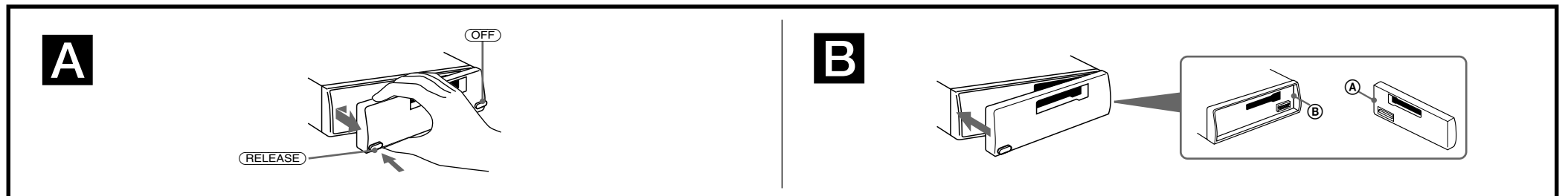
#####

A

#####

B

#####

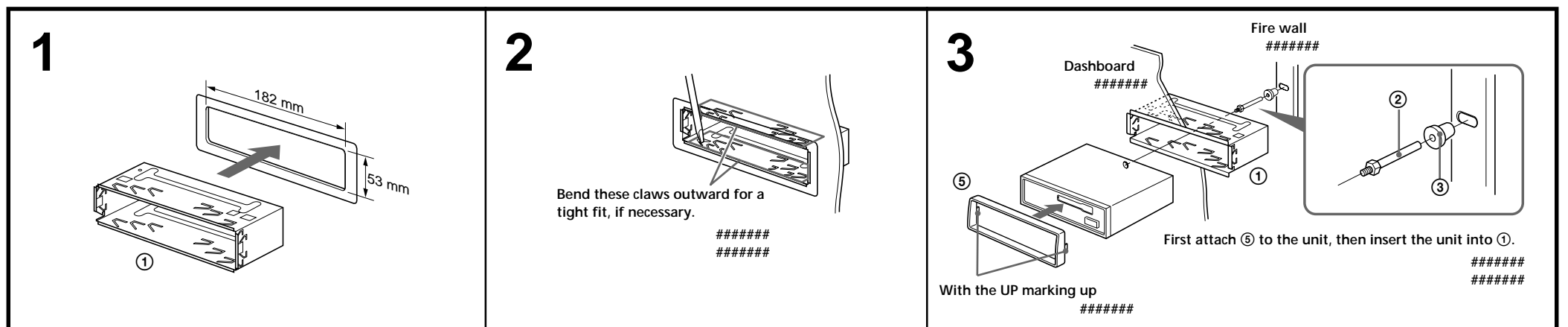


Mounting example

Installation in the dashboard

#####

#####

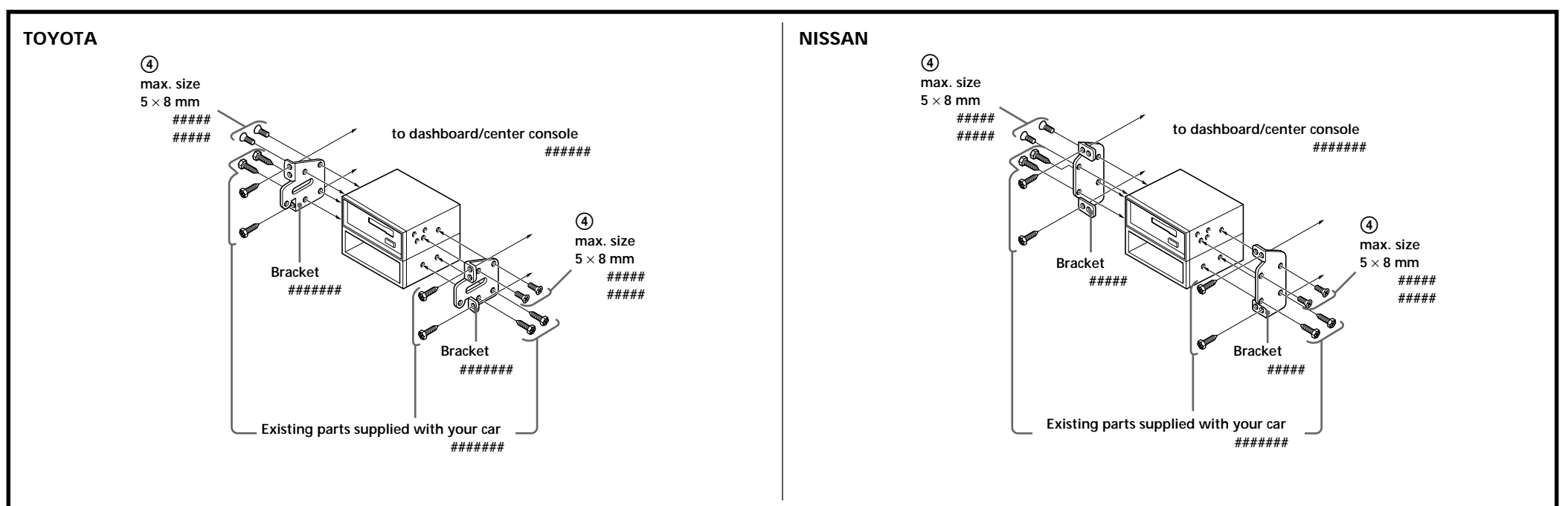


Mounting the unit in a Japanese car

You may not be able to install this unit in some makes of Japanese cars. In such a case, consult your Sony dealer.

#####

#####



Note
To prevent malfunction, install only with the supplied screws ④.

#####

Cautions

- This unit is designed for negative earth 12 V DC operation only.
- Be careful not to pinch any wires between a screw and the body of the car or this unit or between any moving parts such as the seat railing, etc.
- Before making connections, disconnect the earth terminal of the car battery to avoid short circuits.
- Connect the yellow and red power input leads only after all other leads have been connected.
- Be sure to connect the red power input lead to the positive 12 V power terminal which is energized when the ignition key is in the accessory position.
- Run all earth wires to a common earth point.
- Connect the yellow cord to a free car circuit rated higher than the unit's fuse rating. If you connect this unit in series with other stereo components, the car circuit they are connected to must be rated higher than the sum of the individual component's fuse rating. If there are no car circuits rated as high as the unit's fuse rating, connect the unit directly to the battery. If no car circuits are available for connecting this unit, connect the unit to a car circuit rated higher than the unit's fuse rating in such a way that if the unit blows its fuse, no other circuits will be cut off.

#####

- ##### •
- ##### •
- ##### •
- ##### •
- ##### •
- ##### •

Warning when installing in a car without ACC (accessory) position on the ignition key switch

Be sure to press **OFF** on the unit for two seconds to turn off the clock display after turned off the engine.

When you press **OFF** momentarily, the clock display does not turn off and this causes battery wear.

#####

#####

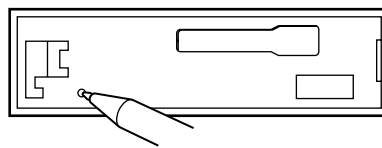
#####

#####

#####

Reset button

When the installation and connections are complete, be sure to press the reset button with a ballpoint pen, etc.



#####

#####

#####

Notes of connection example

Notes on the control and power supply leads

- The power aerial control lead (blue) supplies +12 V DC when you turn on the tuner or when you activate the ATA (Automatic Tuner Activation) function.
- When your car has a built-in FM/MW/SW aerial in the rear/side glass, it is necessary to connect the power aerial control lead (blue) or the accessory power input lead (red) to the power terminal of the existing aerial booster. For details, consult your dealer.
- A power aerial without a relay box cannot be used with this unit.

Memory hold connection

When the yellow power input lead is connected, power will always be supplied to the memory circuit even when the ignition switch is turned off.

Notes on speaker connection

- Before connecting the speakers, turn the unit off.
- Use speakers with an impedance of 4 to 8 ohms, and with adequate power handling capacities. Otherwise, the speakers may be damaged.
- Do not connect the terminals of the speaker system to the car chassis, and do not connect the terminals of the right speaker with those of the left speaker.
- Do not attempt to connect the speakers in parallel.
- Do not connect any active speakers (with built-in amplifiers) to the speaker terminals of the unit. Doing so may damage the active speakers. Be sure to connect passive speakers to these terminals.

#####

#####

•

•

•

#####

#####

#####

#####

•

•

•

•

•

•

•

•

