

# Portable CD Player

---

CD

CD

“ ( / ) ”



“WALKMAN” Sony

## D-EJ1000



가



	.....	4
--	-------	---

**CD**

1. CD	.....	7
2. CD	.....	7
3. CD	.....	8

	( ) ....	11
1	(1 ) .....	11
	( ) .....	11
	(PGM ) .....	12

G-PROTECTION	.....	13
CD	.....	13
CD	.....	14
	(SOUND) .....	14
	(AVLS) .....	15
	(HOLD) ....	15
	.....	16
LCD	.....	16

**CD**

	.....	17
--	-------	----

	.....	19
	.....	22
	.....	23

**ㄱ**

	.....	24
	.....	24
?	.....	25
	.....	27
( / ) .....		

CD ( )

1 EXT BATT( )/  
DC IN 4.5 V( )  
(7, 20, 22 )

2 LINE OUT(OPTICAL)  
(17 )

3 VOL( ) +\*/- (8 )

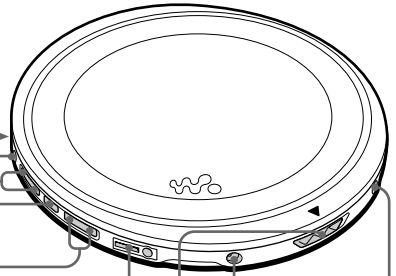
4 ■( )/CHARGE( )  
CHARGE( )  
(8, 15, 16, 19, 20 )

5 ◀◀(AMS/ )▶▶▶\*  
(AMS/ / )  
(7, 8, 12 )

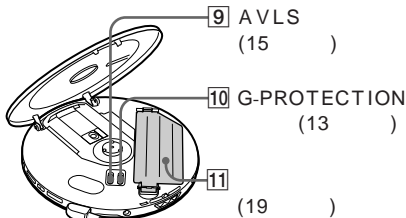
6 Ω( )  
(7 )

7 OPEN  
(7 )

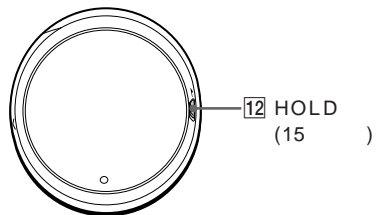
8  
(19, 24 )

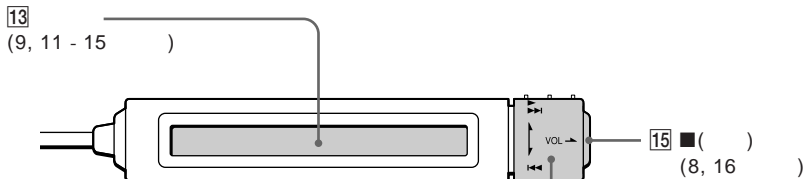


CD ( )



CD ( )



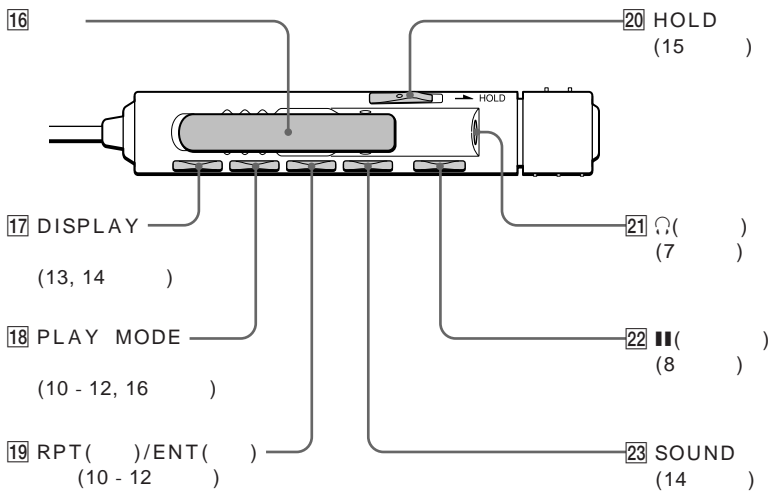


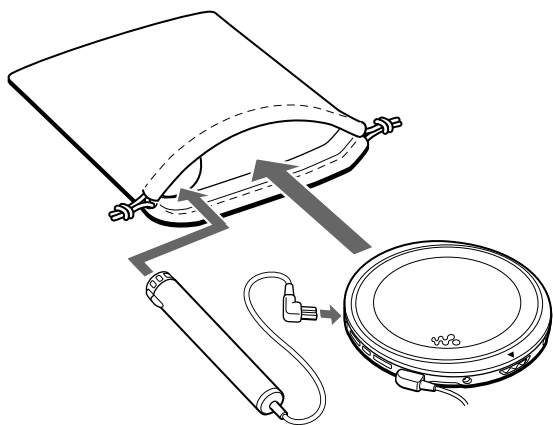
14

▶/▶▶: , AMS/ (8, 12 )

◀◀: AMS/ (8, 12 )

VOL +/-:  
+ - .(8 )





**1. CD**

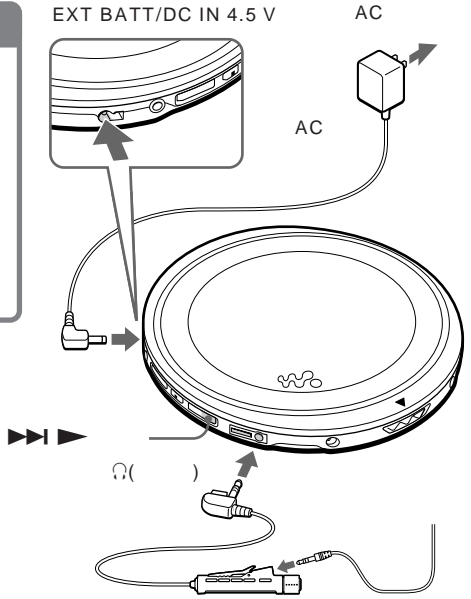
① AC

② /

• /

• /

가



**2. CD**

① OPEN CD

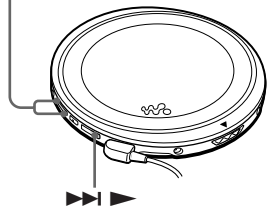
② CD

Diagram illustrating the steps to open the CD player and insert a CD. Step 1 shows the CD player with the lid being lifted, indicated by an arrow and the word 'OPEN'. Step 2 shows a hand inserting a CD into the tray, indicated by an arrow and the word 'CD'.

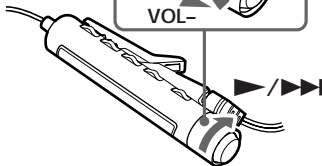
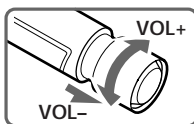
( )

### 3. CD

VOL +/-



- 1
- 2 VOL +



- 1
- 2
- 3 VOL +

( )



(CD

( )



(CD  
).



2

/



■(CD

■/CHARGE)

\*2

(AMS\*1)



\*2

(AMS)



\*2, \*3

(AMS)



\*2, \*3

(AMS)



\*2, \*3



\*2



\*2

\*1 Automatic Music Sensor( )

\*2

\*3





• CD (CD  ) CD 가  2

•  
•

- AVLS가 "LIMIT" "NORM"
- " (AVLS)"
- LINE OUT(OPTICAL) Ω( )

CD

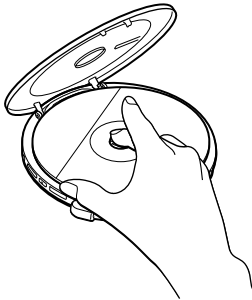
CD-R/CD-RW

CD CD-DA \* CD-R/CD-RW 가

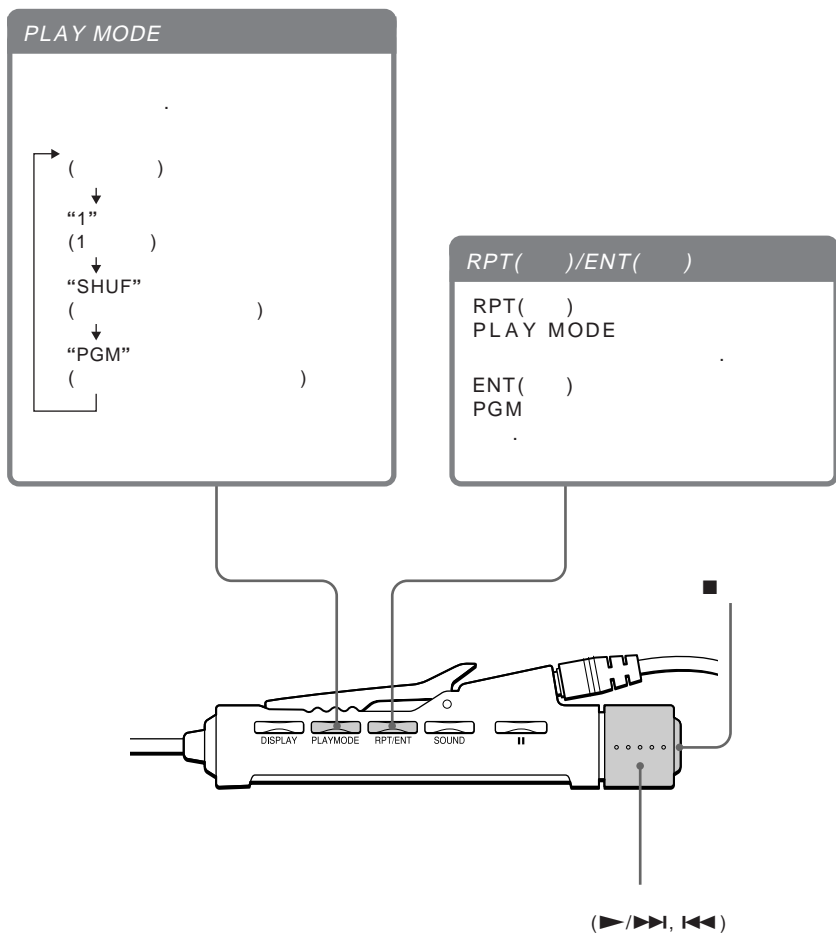
\* CD-DA Compact Disc Digital Audio CD

CD

CD



PLAY MODE      RPT( )/ENT( )



( )

, 1 , , PGM

RPT/ENT

001 00:01



↵

1

(1 )

“1”

PLAY MODE

005 01:25



1

( )

MODE

“SHUF”가

PLAY

005 01:17



SHUF

(PGM )

CD 64

**1** MODE "PGM" PLAY 001 01  

**2**    

**3** RPT/ENT "000" 가 1 가  

**4** 2 3

**5** PGM RPT/ENT

5 : RPT/ENT  
PGM :  
"PGM" :  
RPT/ENT : PLAY MODE RPT/ENT  
가 가

  
• 3 64  
• 64

# G-PROTECTION

G-PROTECTION

CD  
 "2"  
 "1"

G-PROTECTION  
 G-PROTECTION

CD  
 G-PROTECTION  
 CD  
 G-PROTECTION

"1"  
 "2"

G-PROTECTION( )  
 "1" "2"



1 2  
**G-PROTECTION**

— CD 가 :  
 — CD  
 — CD-R/CD-RW

# CD

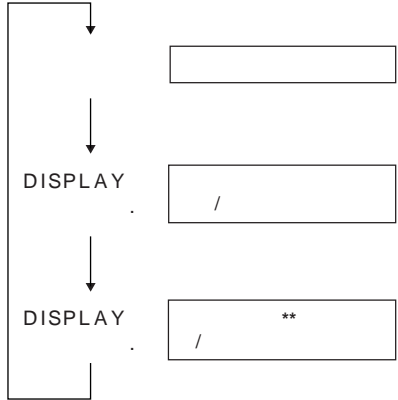
CD CD



" "가 CD 가  
 \*

\* CD 가 CD  
 "READING"

# DISPLAY



\*\* 1 , PGM

CD CD

CD

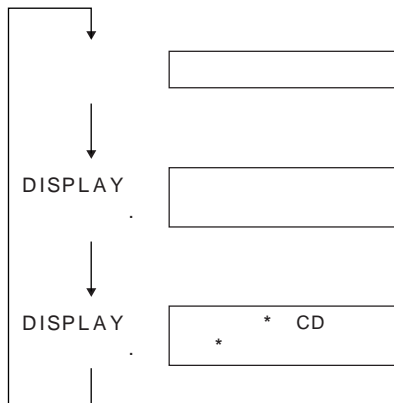
DISPLAY

CD

CD

CD

DISPLAY



\* 1

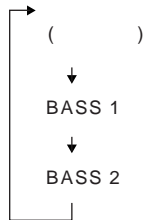
PGM

(SOUND)

SOUND  
2"

"BASS 1"

"BASS



가

"BASS 2" "BASS 1"

SOUND

(AVLS)

AVLS(Automatic Volume Limiter System, )

AVLS( ) "LIMIT"

AVLS  
NORM LIMIT



AVLS

AVLS  
AVLS "NORM"

(HOLD)

CD 가

HOLD

CD



HOLD  
가  
CHARGE

HOLD CD

가

HOLD  
CD

HOLD

HOLD  
"HOLD"

---

CD /

---

**1** CD (AC )

---

**2** ■(CD ■/CHARGE)

---

■/CHARGE ■

---

LCD

LCD  
5

---

**1** CD

---

**2** PLAY MODE

---

LCD

가 PLAY MODE

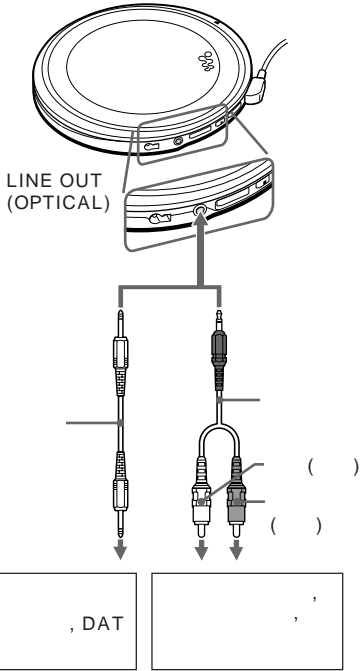
LCD

AC

LCD



CD  
CD



- CD 가
- AC 가 가
- 가

가 Ⓜ

CD , DAT CD

G-PROTECTION SOUND

- CD PROTECTION "1" G- CD
- SOUND Ⓜ LINE OUT (OPTICAL)

( )



(CD )

CD

가 CD

CD

Sony MD Walkman

(MZ-R909)

CD

MD

(POC-5B

, ) RK-TXT1 CD

( )

MD Walkman

- AC ( "CD " )
- LR6(AA ) ( )

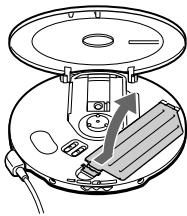
" "



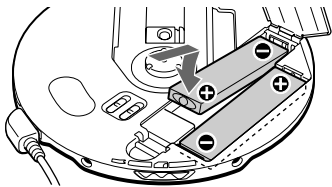
. CD

- NH-14WM(A)

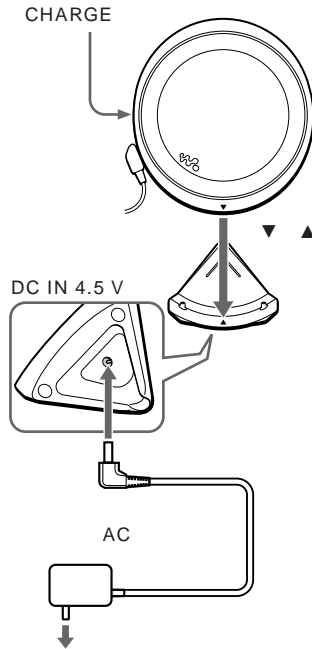
### 1 CD



### 2 가



### 3 AC



( )



“Charging” 가

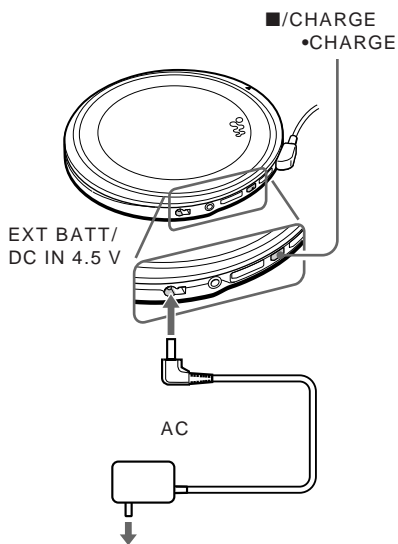
CHARGE 가

가

CHARGE 가

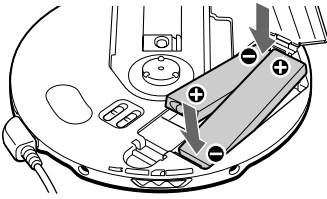
AC BATT/DC IN 4.5 V CD EXT AC

■/CHARGE ●CHARGE



- [Solid Black Box] CD 가
  - [Double Right Arrow] CD
  - CD
  - CD ▼ ▲
- 가

⊖



가

가

가



가



Lobatt\*

가

\*

CD

NH-14WM(A)

CD

가

가

가



. 1

4 1

가



CD

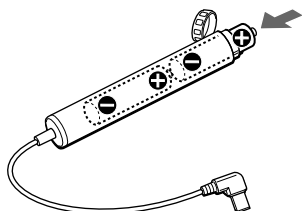
• LR6(AA )

1

LR6(AA )

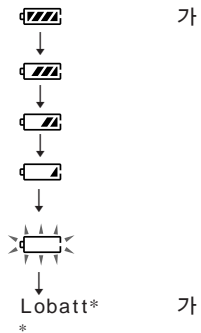
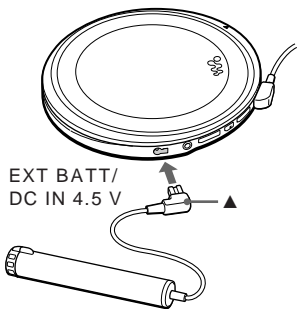
+

2



2

CD



가

CD



AC

---

CD

AC

- ( AC / )” AC “ AC



- AC AC

- AC

- 
- 
- 

- 가

- 

- 가

- 

- 

가

▶ 가

• CD

• DC IN 4.5 V( )

CD

• CD

가  
CD

• CD

가 CD CD가

• CD

가 , 가 , 가

• CD

가 가 CD

• CD

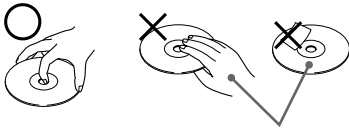
( , )  
가 CD 가

CD

• CD

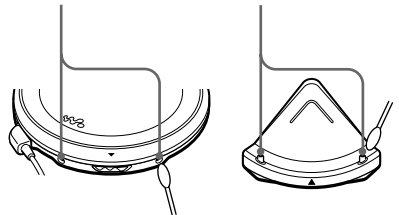
가 가 CD 가

• CD



• CD

CD





?

가 가 Sony

	→		VOL +	.(8)
	→		▶/▶▶	.(8)
VOL +	→	AVLS	"NORM"(15 )	
	→	/	LINE OUT(OPTICAL)	
	→	/	Ω( )	.(7)
	→	/	LINE OUT(OPTICAL)	
	→	/	Ω( )	.(7)
가	→			.(7)
	→	가		
	→	가		
	→	(22 )	LR6(AA )	
	→	(22 )		
	→			.(19 -
	→	21 )		
"00"	→	"Lobatt" CD가	가	.(19 )
	→		LR6(AA )	
	→		(22 )	
	→	"HiDCin"	" ( / )" AC	
	→		AC	
	→		.(7, 19, 22 )	
CD	→	CD	HOLD	
CD가	→	"Nodisc"가	.(15 )	
	→	CD가		.(24 )
	→	CD		.(7)
	→	CD		
	→	CD		.(19 )
	→	(19, 22 )		
	→	AC	AC	.(7)
	→	CD-R/CD-RW		CD-R/CD-RW
	→	CD-R/CD-RW		가

가

( )

CHARGE CD가	가	→	.(15	HOLD )
CD	VOL +/-	→	CD	가 .(17 )
	가	→		, DAT . (17 )
		→	CD	가 . (17 )
		→	CD가	
		→	가	CD
.( )		→		
			▶/▶▶ 2	(CD 가 ) AC . (7, 8, 19, 22 )
CD		→		.(19 )
CD CD가		→	CD	가 CD
가	CD	→	CD	

: GaAlAs  
 :  $\lambda = 780 \text{ nm}$   
 :  
 :  $44.6 \mu\text{W}$  ( )  
 가 7 mm  
 200 mm  
 .)  
 D-A  
 1  
 20 - 20 000 Hz  $_{-2}^{+1}$  dB(JEITA CP-307 )  
 (4.5 V )  
 ( )  
 47 0.7 V rms  
 10  
 ( )  
 16 5 mW + 5 mW  
 ( )  
 : -21 ~ -15 dBm  
 : 630 ~ 690 nm

- Sony NH-14WM(A) 2 : 2.4 V DC
- LR6(AA ) 2 : 3 V DC
- AC (DC IN 4.5 V ) : U/U2/CA2/E92/MX2/TW2/BR3 : 120 V, 60 Hz  
 CED/CET/CEW/CEX/CE7/EE/EE1/E13/G5/G6/G7/G8/BR1 : 220 - 230 V, 50/60 Hz  
 CEK/3CE7 : 230 - 240 V, 50 Hz  
 AU2 : 240 V, 50 Hz  
 JE.W/E33/EA3/KR4 : 100 - 240 V, 50/60 Hz  
 HK2 : 220 V, 50/60 Hz  
 AR1/CN2 : 220 V, 50 Hz

\*( )

(CD )

CD

	G-PROTECTION	
	"1"	"2"
NH-14WM(A) 2	40	41
( 5 **)		
	66	71
( 2 ***)		
	108	115
NH-14WM(A)		
( 2 ***)		

\* JEITA(Japan Electronics and Information Technology Industries Association)

\*\*

\*\*\*Sony LR6(SG) ( )

5°C - 35°C

(w/h/d)

( )

127.0 × 136.2 × 13.9 mm

( )

129 g

가

가

( / )

CD

AC

(1) / (1)  
(2)  
(1) (2)  
(1) (2)  
(1)

	SRS-Z1
	SRS-Z1000
	DCC-E345
	DCC-E34CP
	CPA-9C
	RK-G129
	RK-G136
CD TEXT	RK-TXT1
	POC-5B
	POC-10B
	POC-15B
	POC-5AB
	POC-10AB
	POC-15AB
	NH-14WM(A)
	MDR-E848LP
	MDR-EX70LP
	MDR-A44L
	MDR-A110LP

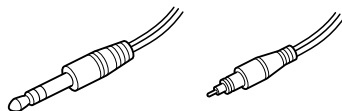
AC

가 Sony

/

가

가



가

<http://www.sony.net/>

Sony Corporation Printed in Malaysia