

Portable CD Player

CD

CD

“ (/) ”



“WALKMAN” Sony
Corporation

D-EJ955



가

	4
--	-------	---

CD

1. CD	7
2. CD	7
3. CD	8

	()	11
1	(1)	11
	()	11
	(PGM)	12

G-PROTECTION	13	
CD	13	
CD	14	
	(SOUND)	14
	(AVLS)	15
	(HOLD)	15
	16	
LCD	16	

CD

.....	17
-------	----

.....	19
.....	22
.....	23

ㄱ

.....	24	
.....	24	
?	25
.....	27	
(/)	

CD ()

1 EXT BATT()/
DC IN 4.5 V()
(7, 20, 22)

2 LINE OUT(OPTICAL)
(17)

3 VOL() +*/- (8)

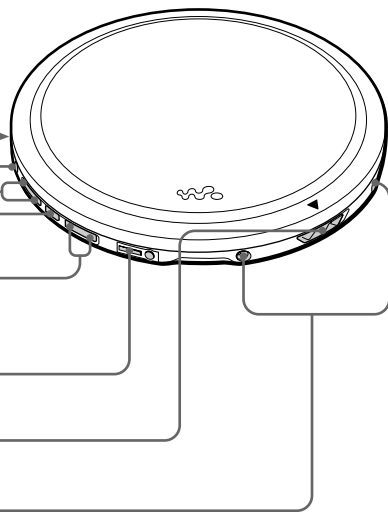
4 ()/CHARGE()
CHARGE()
(8, 15, 16, 19, 20)

5 (AMS/) (AMS/ /)
(7, 8, 12)

6 ()
(7)

7 OPEN
(7)

8 (19, 24)



CD ()

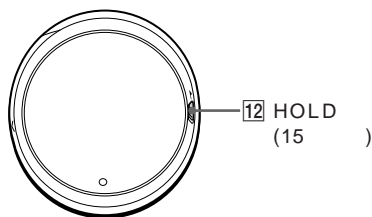
9 AVLS
(15)

10 G-PROTECTION
(13)

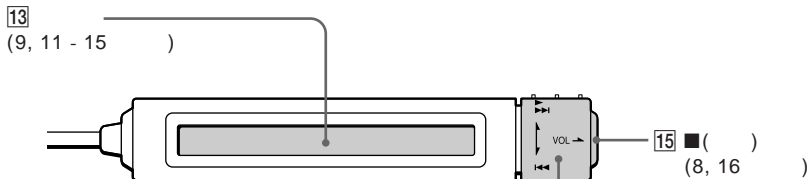
11 (19)

* CD

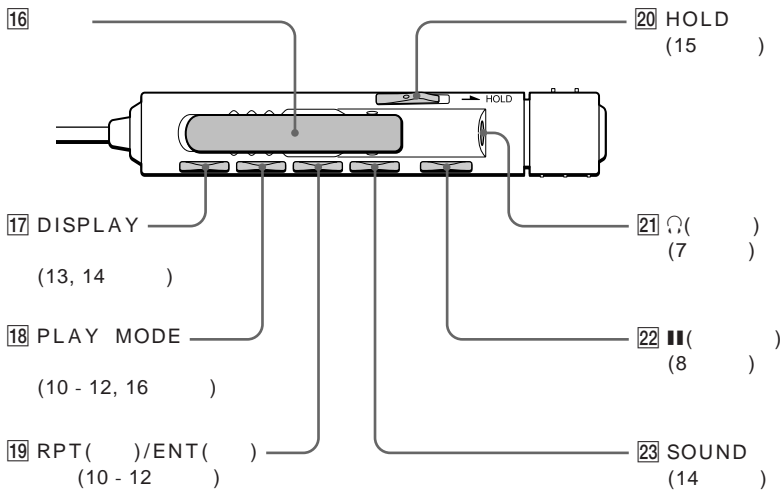
CD ()

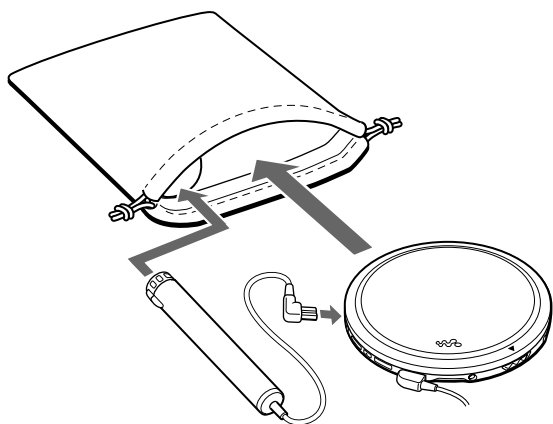


가



- 14
- ▶/▶▶: , AMS/ (8, 12)
 - ◀◀: AMS/ (8, 12)
 - VOL +/-: + - .(8)





1. CD

① AC

② /

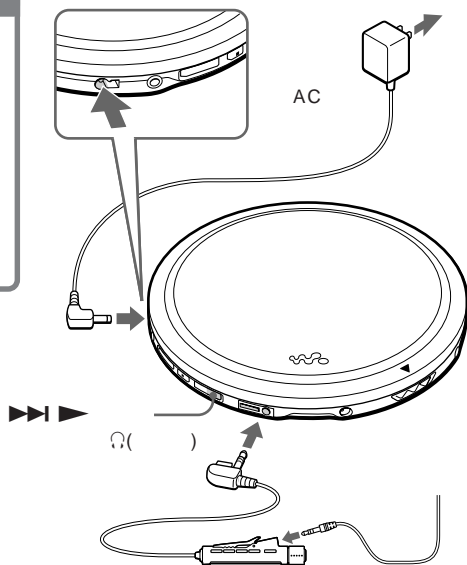
• /

• /

가

EXT BATT/DC IN 4.5 V

AC



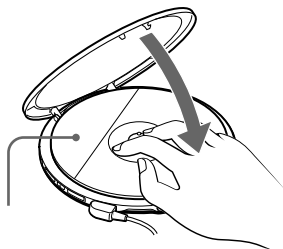
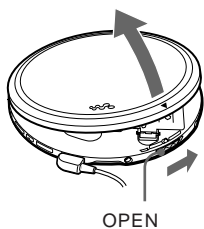
CD

2. CD

① OPEN

CD

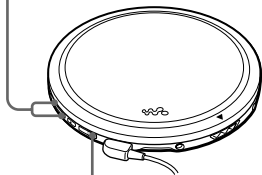
② CD



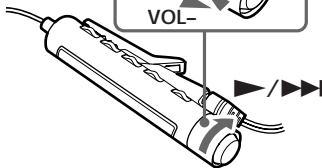
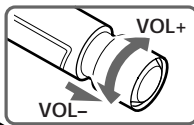
()

3. CD

VOL +/-



- 1
- 2 VOL + -



- 1
- 2
- 3 VOL + -

()



(CD



).

()



(CD



2

).

/



■(CD ■/CHARGE)

*2

(AMS*1)



*2

(AMS)



*2, *3

(AMS)



*2, *3

(AMS)



*2, *3



*2



*2

*1 Automatic Music Sensor()

*2

*3



• CD (CD) 가 ▶/▶▶ 2

•
•

• AVLS가 "LIMIT" "NORM"
" (AVLS)"
• LINE OUT(OPTICAL) Ω()

CD

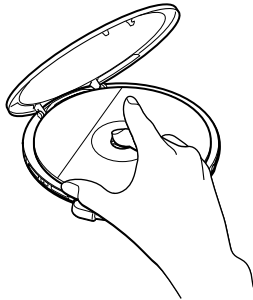
CD-R/CD-RW

CD CD-DA * CD-R/CD-RW 가

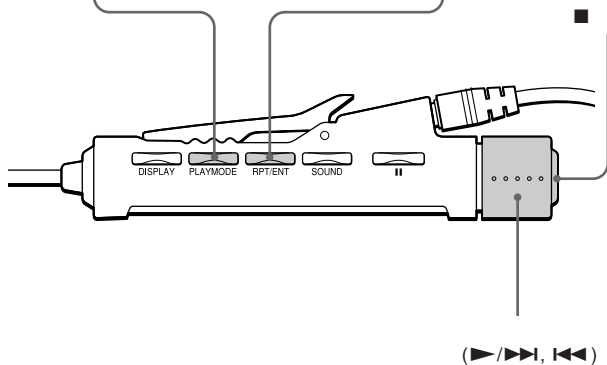
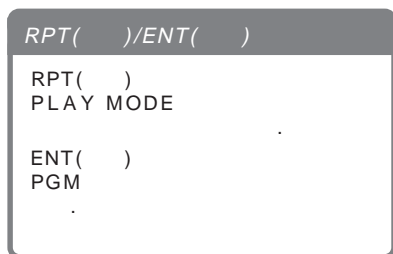
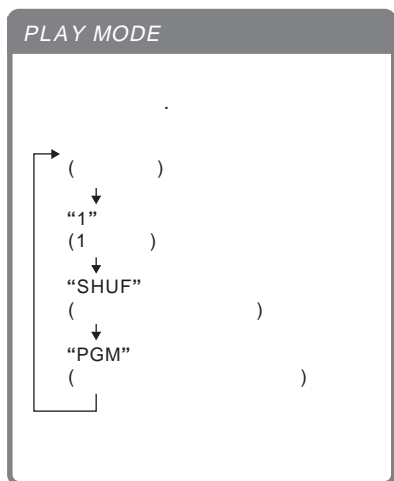
* CD-DA Compact Disc Digital Audio CD

CD

CD



PLAY MODE RPT()/ENT()



()

, 1 , , PGM

RPT/ENT

001 00:01



↶

1

(1)

“1”

PLAY MODE

005 01:25



1

()

MODE

“SHUF”가

PLAY

005 01:17



SHUF

CD 64

1 MODE "PGM" PLAY 


2  

3 RPT/ENT "000" 가 1 가 

4 2 3

5 PGM RPT/ENT

5 : RPT/ENT
 PGM :
 "PGM" :
 RPT/ENT : PLAY MODE RPT/ENT
 가 가


 • 3 64
 • 64

G-PROTECTION

G-PROTECTION

CD G-PROTECTION
 "2" G-PROTECTION
 "1"

CD G-PROTECTION
 CD
 G-PROTECTION

"1"
 "2"

G-PROTECTION()
 "1" "2"



1 2
G-PROTECTION

— CD 가 :
 — CD
 — CD-R/CD-RW

CD

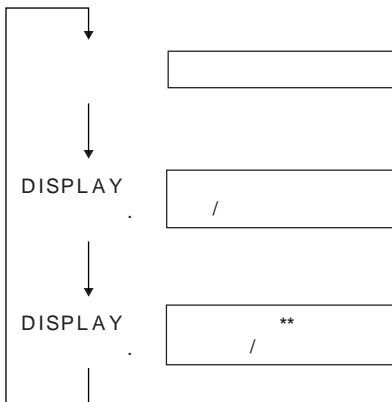
CD CD



" "가 CD 가
 *

* CD 가 CD
 "READING"

DISPLAY



** 1 , PGM

CD CD

CD

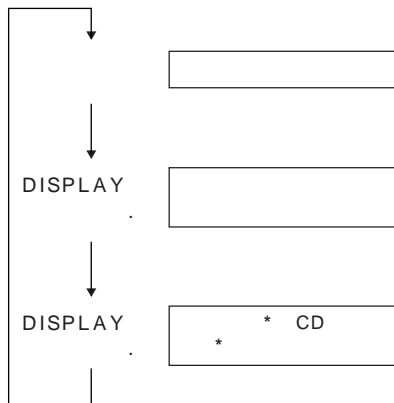
DISPLAY

CD

CD

CD

DISPLAY



* 1

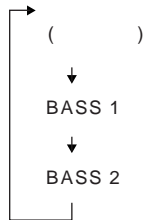
PGM

(SOUND)

SOUND
2"

"BASS 1"

"BASS



가

"BASS 2" "BASS 1"

SOUND

(AVLS)

AVLS(Automatic Volume Limiter System,)

AVLS() "LIMIT"

AVLS
NORM LIMIT



AVLS

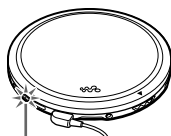
AVLS
AVLS "NORM"

(HOLD)

CD 가

HOLD

CD



HOLD
가 CHARGE

HOLD CD

가

HOLD
CD

HOLD

HOLD
"HOLD"

CD /

1 CD (AC)

2 ■(CD ■/CHARGE)

■/CHARGE ■

LCD
(RM-MC11EL)

LCD
5

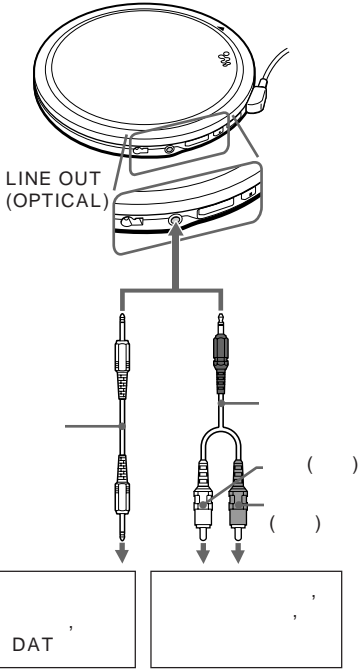
1 CD

2 PLAY MODE

LCD
가 PLAY MODE

LCD
AC LCD

CD
CD



- CD 가
- AC 가 가
- 가

가

CD , DAT CD

- G-PROTECTION SOUND
- CD G-PROTECTION "1" CD
- SOUND
- LINE OUT (OPTICAL)



(CD)

CD

가 CD

CD

Sony MD Walkman

(MZ-R909)

CD

MD

(POC-5B

,) RK-TXT1 CD

()

MD Walkman

- AC ("CD ")
- LR6(AA) ()

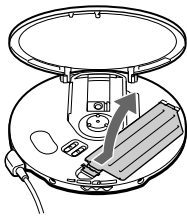
" "



. CD

- NC-6WM

1 CD

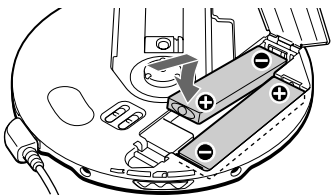


2

⊕

2

가



3 AC

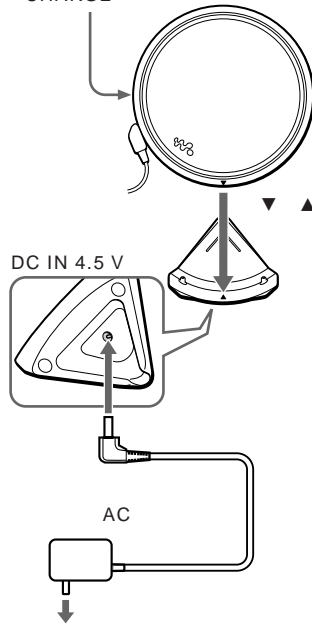
DC IN 4.5 V

AC

CD

▼
CD

CHARGE



()



“Charging” 가

CHARGE 가

가

가

CHARGE 가

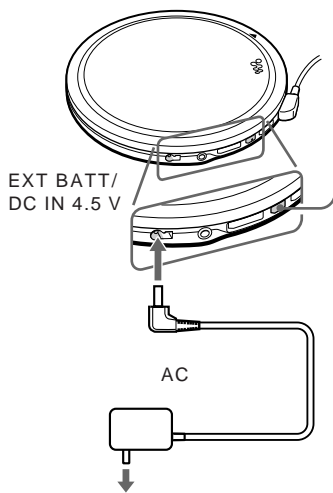
. CD

AC BATT/DC IN 4.5 V ■/CHARGE

CD AC

EXT

■/CHARGE
●CHARGE



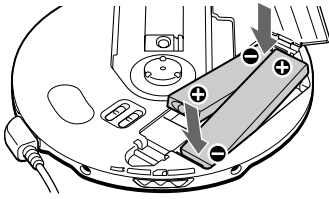
• CD 가

• ▶▶▶▶ CD

• CD

• CD ▼ ▲

가



가

가



가



Lobatt*

가

*

가

CD

NC-6WM

CD

가

가

가



. 1

4 1



가

CD

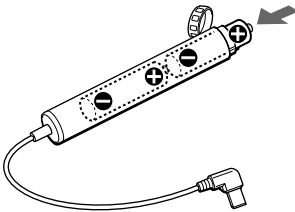
• LR6(AA)

1

LR6(AA)

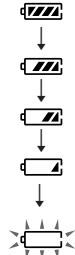
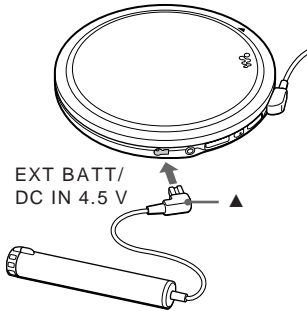
⊕

2



2

CD



Lobatt*
*

CD



CD

AC

- (AC /)” AC “ AC



- AC

AC

- AC

-
-
-

가

-
-

- 가

-
-

가

▶ 가

• CD

• DC IN 4.5 V()

CD

• CD

가
CD

• CD

가 CD CD가

• CD

가 , 가 , 가

• CD

가 가 CD

• CD

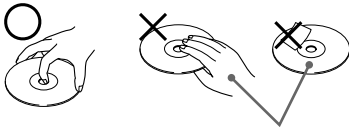
(,)
가 CD 가

CD

• CD

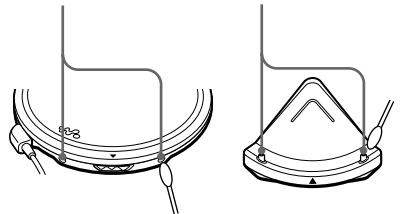
가 CD 가 가

• CD



• CD

CD



?

가 가 Sony

	→		VOL +	
		(8)		
	→		▶/▶▶	(.8)
VOL +	→	AVLS	"NORM"	(.15)
	→	/	LINE OUT(OPTICAL)	
			Ω()	(.7)
	→	/	LINE OUT(OPTICAL)	
			Ω()	(.7)
가	→			(.7)
	→	가		
	→	가		
	→	(.22)	LR6(AA)	
	→	(.22)		
	→	(19 - 21)		
"000"	→	"Lobatt" CD가	가	(.19)
	→		LR6(AA)	
			(.22)	
	→	"HiDCin"	" (/)" AC	()
	→		AC	()
			(.7, 19, 22)	
CD	→	CD	HOLD	(.15)
CD가	→	"Nodisc"가		(.24)
	→	CD가		
	→	CD		
	→	(7)		
	→	CD		(.19)
	→			
	→	(19, 22)		
	→	AC	AC	
	→	(7)		
	→	CD-R/CD-RW		CD-R/CD-RW
	→	CD-R/CD-RW		가

가

()

CHARGE CD가	가	→	.(15	HOLD)
CD	VOL +/-	→	CD	가 .(17)
	가	→		, DAT (17)
		→	CD	가 (17)
		→	CD가	
		→	가	CD
	.()	→		
		▶/▶▶	2	(CD 가 AC (7, 8, 19, 22)
CD		→		.(19)
CD CD가		→	CD	가 CD
가	CD	→	CD	

: GaAlAs
 : $\lambda = 780 \text{ nm}$
 :
 : $44.6 \mu\text{W}$ ()
 가 7 mm
 200 mm
 .)
 D-A
 1
 20 - 20 000 Hz $_{-2}^{+1}$ dB(JEITA CP-307)
 (4.5 V)
 ()
 47 0.7 V rms
 10
 ()
 16 5 mW + 5 mW
 ()
 : -21 ~ -15 dBm
 : 630 ~ 690 nm

- Sony NC-6WM : 2 : 2.4 V DC
- LR6(AA) 2 : 3 V DC
- AC (DC IN 4.5 V) :
 U/U2/CA2/E92/MX2/TW2/BR3 :
 120 V, 60 Hz
 CED/CET/CEW/CEX/CE7/EE/EE1/E13/
 G5/G6/G7/G8/BR1 : 220 - 230 V,
 50/60 Hz
 CEK/3CE7 : 230 - 240 V, 50 Hz
 AU2 : 240 V, 50 Hz
 JE.W/E33/EA3/KR4 : 100 - 240 V,
 50/60 Hz
 HK2 : 220 V, 50/60 Hz
 AR1/CN2 : 220 V, 50 Hz

*()
 (CD)
 CD

	G-PROTECTION	
	"1"	"2"
NC-6WM 2	19	19.5
(5 **)		
	66	71
(2 ***)		
	88	92
NC-6WM		
(2 ***)		

* JEITA(Japan Electronics and Information Technology Industries Association)

**

*** Sony LR6(SG) ()

5°C - 35°C

(w/h/d)
 ()
 135.0 × 135.0 × 15.9 mm
 ()
 166 g

가

가

(/)

CD

AC

(1) / (1)
(2)
(1) (2)
(1) (2)
(1)

	SRS-Z1
	SRS-Z1000
	DCC-E345
	DCC-E34CP
	CPA-9C
	RK-G129
	RK-G136
CD TEXT	RK-TXT1
	POC-5B
	POC-10B
	POC-15B
	POC-5AB
	POC-10AB
	POC-15AB
	NC-6WM
	MDR-E848LP
	MDR-EX70LP
	MDR-A44L
	MDR-A110LP

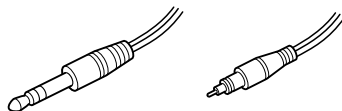
AC

가 Sony

/

가

가



가

<http://www.world.sony.com/>

Sony Corporation Printed in Malaysia