

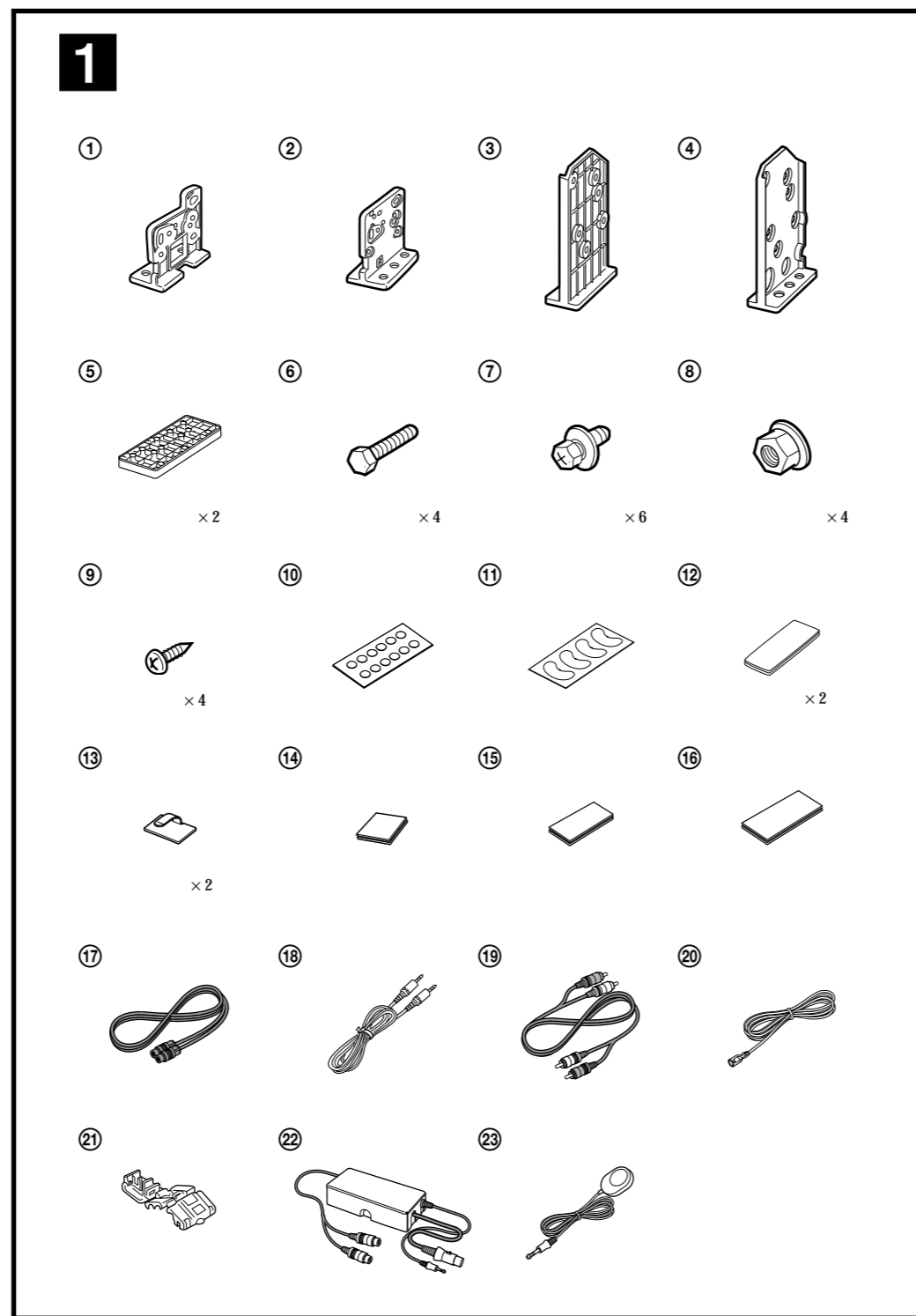
DVD Changer

Installation/Connections

安裝/線路之連接

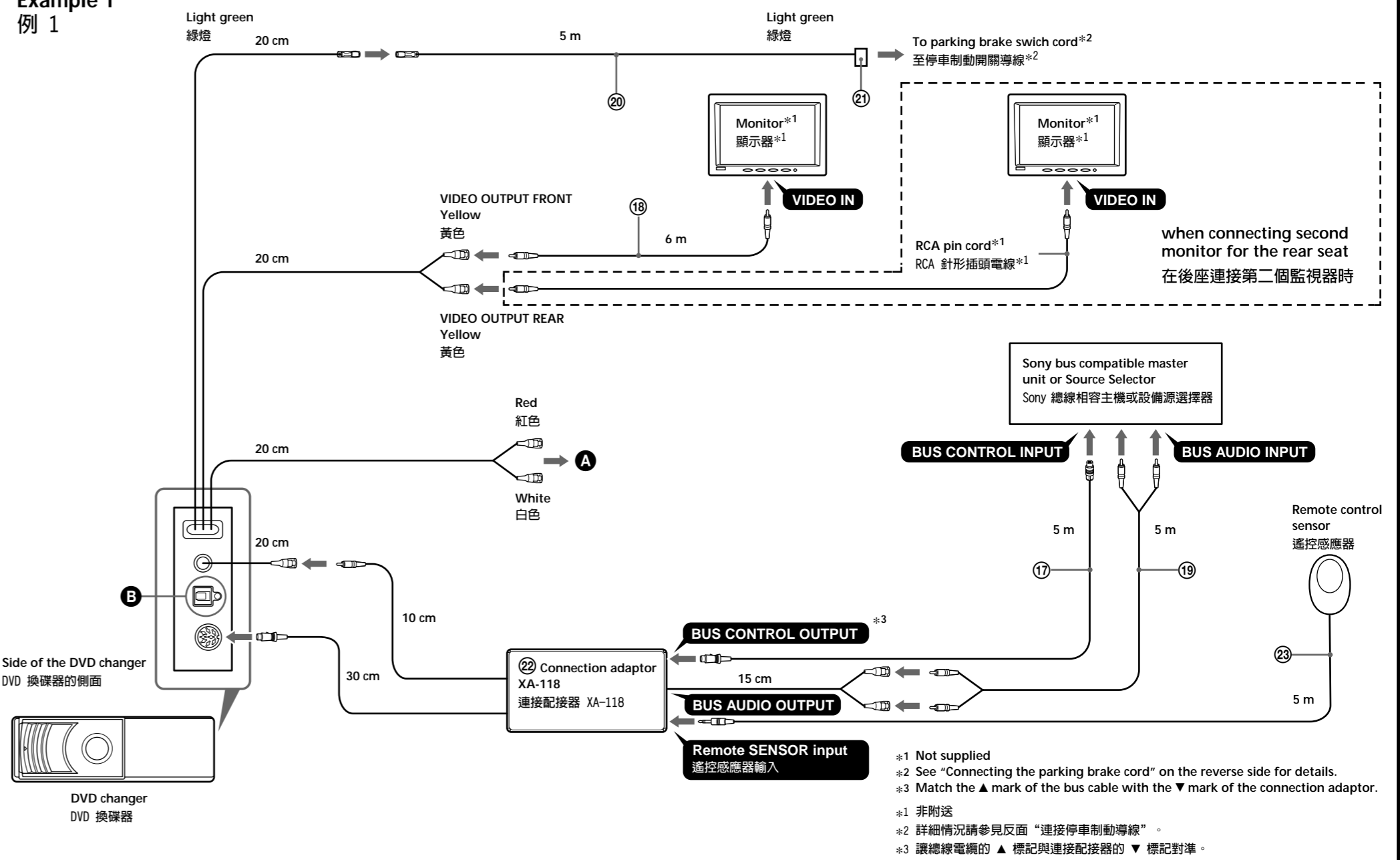
DVX-100S

Sony Corporation © 2002 Printed in Japan



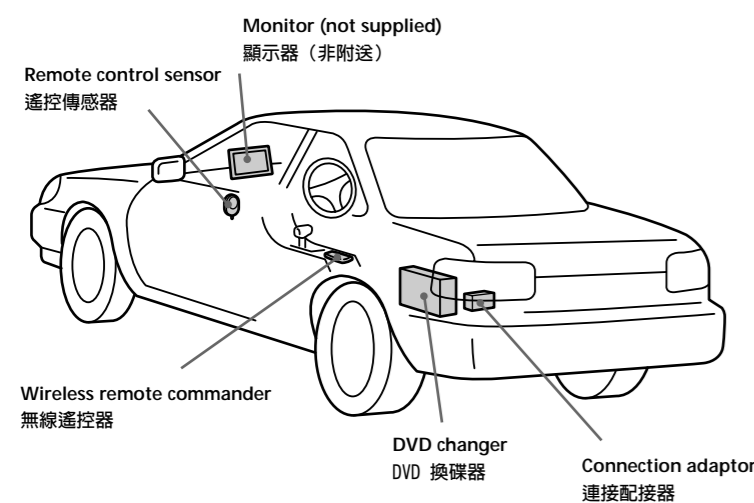
2 A

Example 1



Mounting example

安裝示例



Caution

- This unit is designed for negative earth 12 V DC operation only.
- Before making connections, turn the car ignition off to avoid short circuits.
- For your safety, the monitor connected to the VIDEO OUTPUT FRONT cable can only be viewed when the car is stopped and the parking brake is applied. Be sure to connect parking cord 22 to the car's parking brake switch cord.

Parts list (1)

The numbers in the list are keyed to those in the instructions.

Connection diagram (2 A and B)

The audio out connections on this unit can be configured several ways. Refer to the corresponding number illustration above.

- A** For audio out from TV/monitor speakers. Connect RCA pin cord to the TV/monitor audio input.
- B** For audio out from digital amplifier or audio device. Connect optical cable RC-97/98 (optional) etc. to a digital amplifier or audio device equipped with a Dolby digital decoder.

- When making connections, be sure to connect each cable securely.
- When wishing to connect another CD/MD changer, use the Sony Source Selector XA-C30 (available separately). (2 A/B)
- The signals from the remote commander of this unit can be received by the sensor of the A/V center. (2 B)
- The supplied remote control sensor is not used in the connection example 2. (2 B) If the supplied remote control sensor 23 is connected to the connection adaptor, the A/V center cannot receive signals from the remote commander of this unit. (2 B)

注意

- 本機只能使用負極接地 12 V DC 電源。
- 連接線路之前，關閉汽車點火裝置以免引起短路。
- 為了安全，您只能在停車時並使用了停車制動後，才能觀看連接在 VIDEO OUTPUT FRONT 電纜上的監視器。請確信將停車制動導線 22 連接至汽車的停車制動開關導線。

零件一覽表 (1)

圖示數字與說明書中的數字是一致的。

線路連接圖 (2 A 和 B)

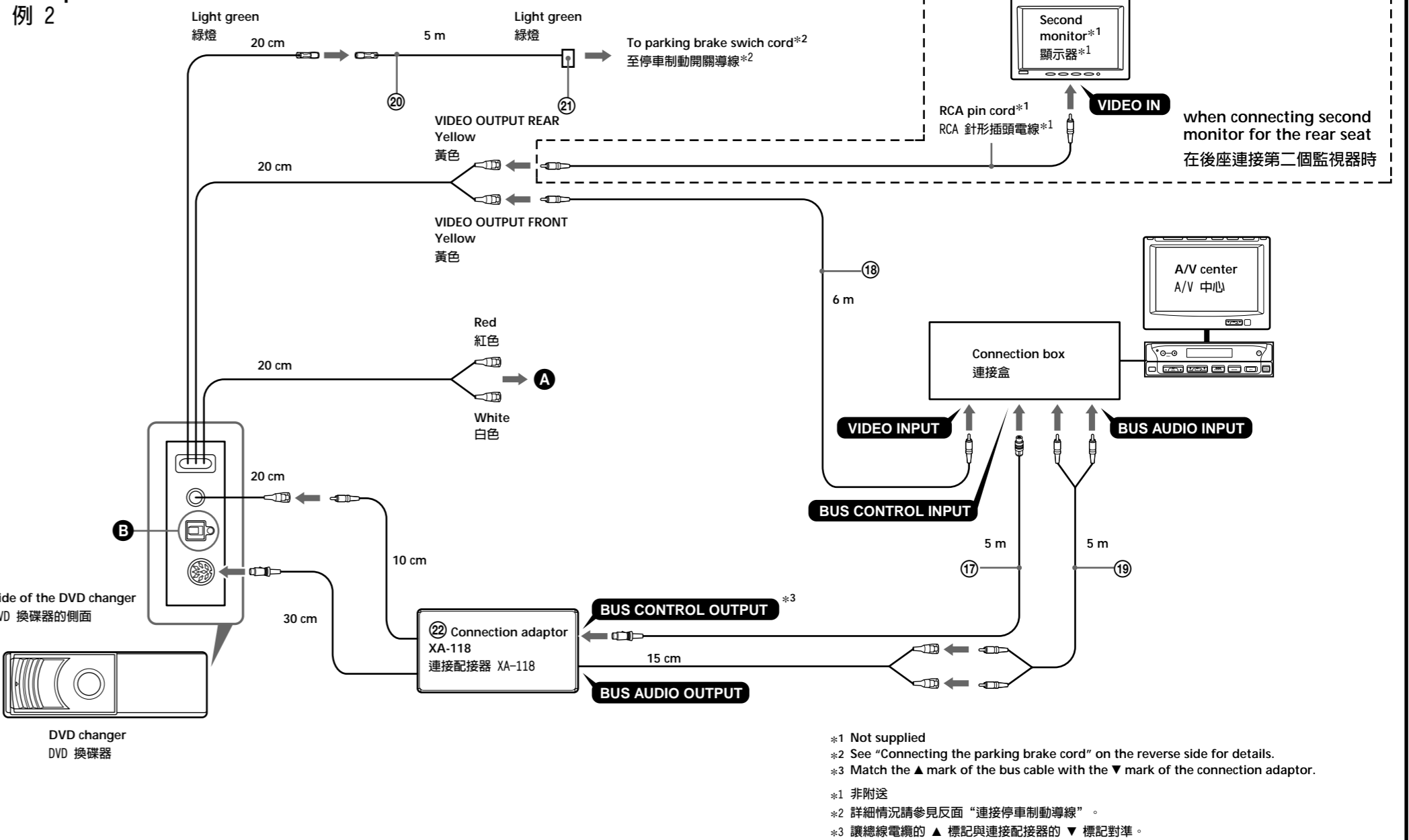
本裝置的音頻輸出連接有以下幾種方式。請參見上面對應號碼的圖示。

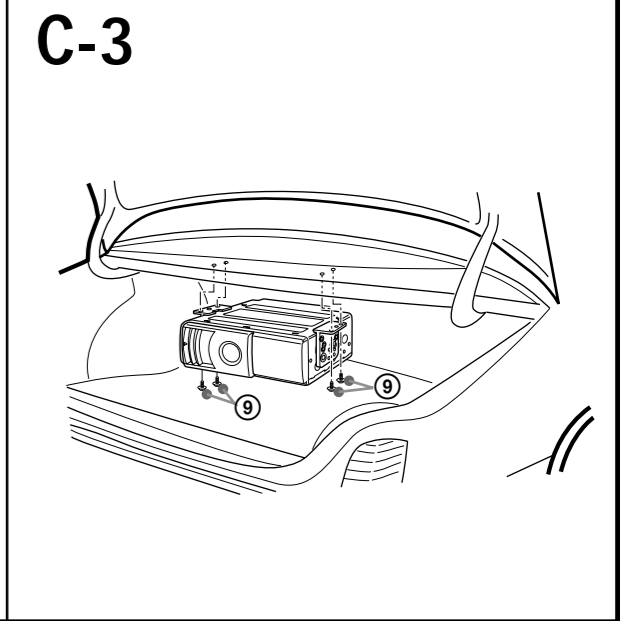
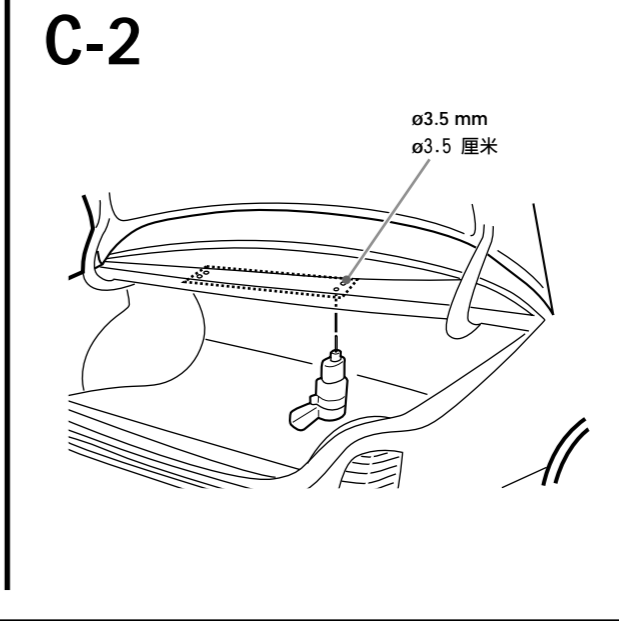
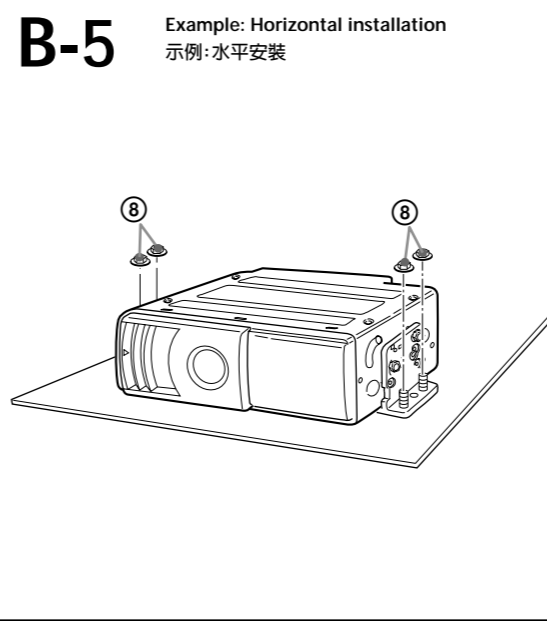
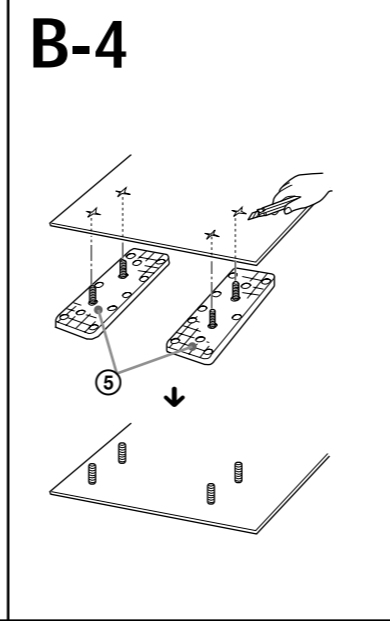
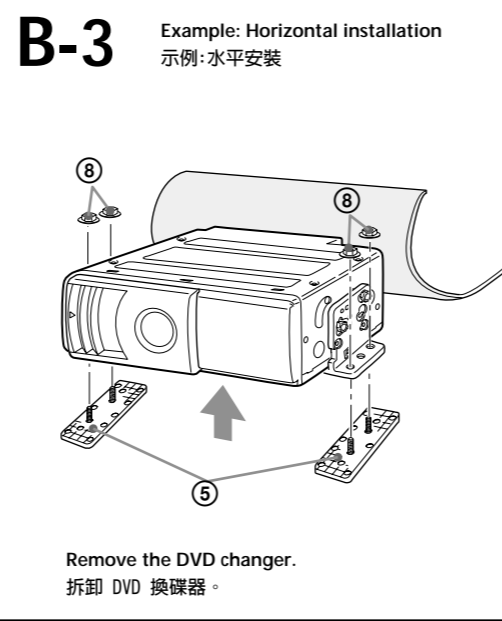
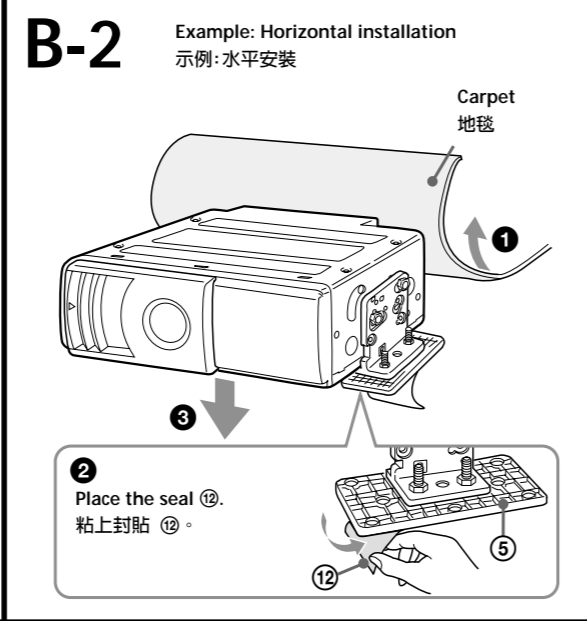
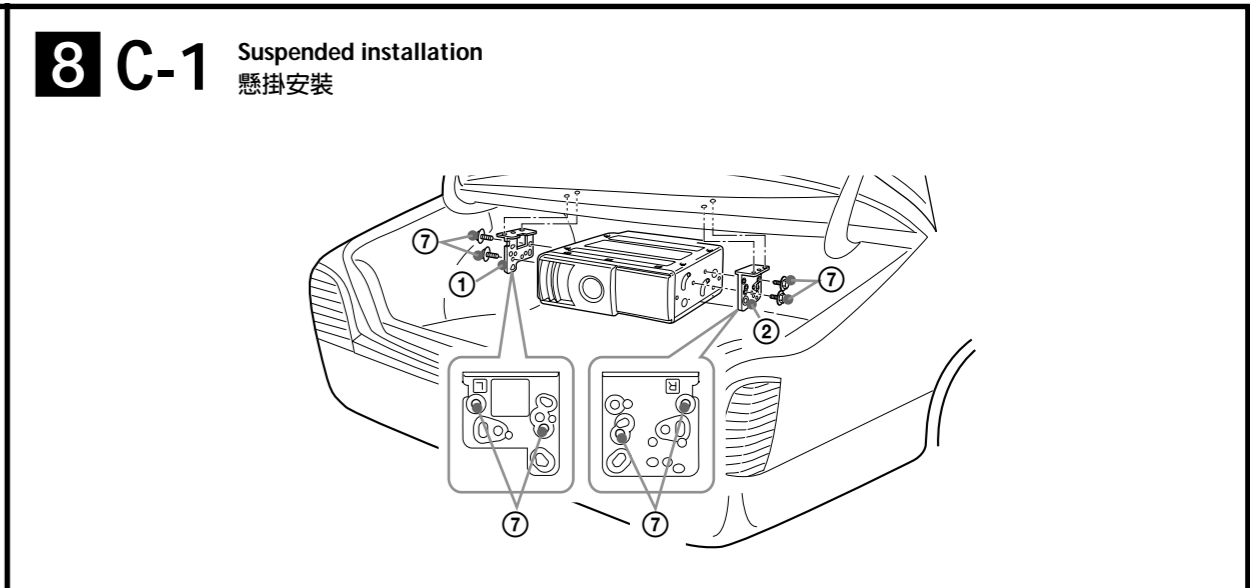
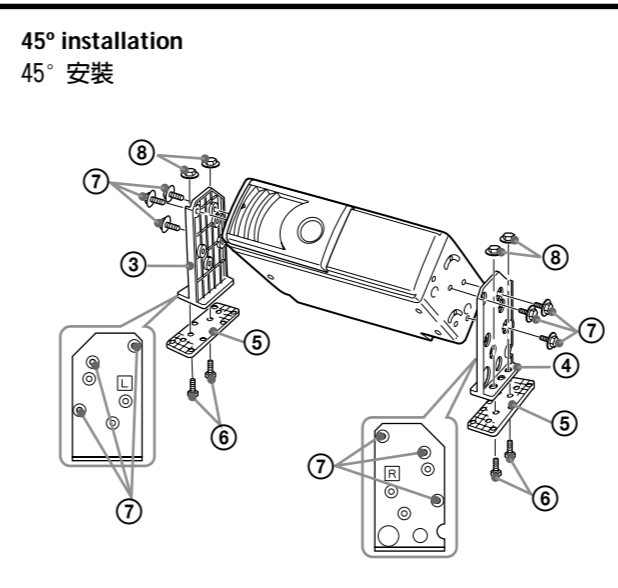
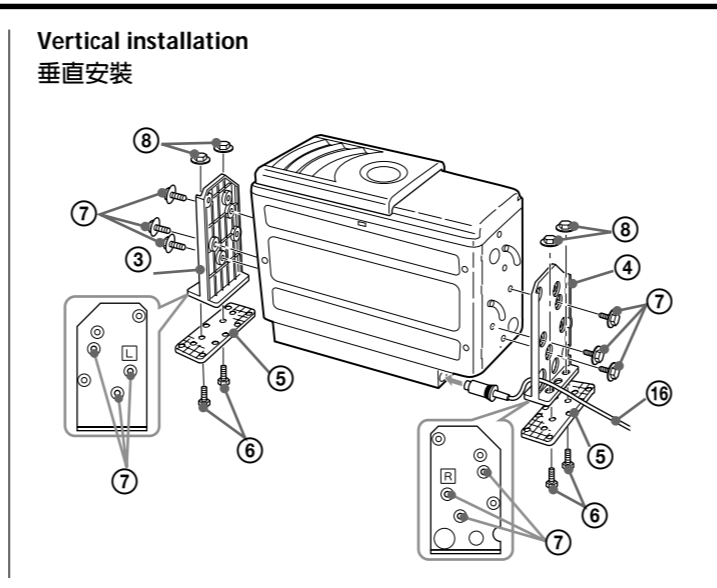
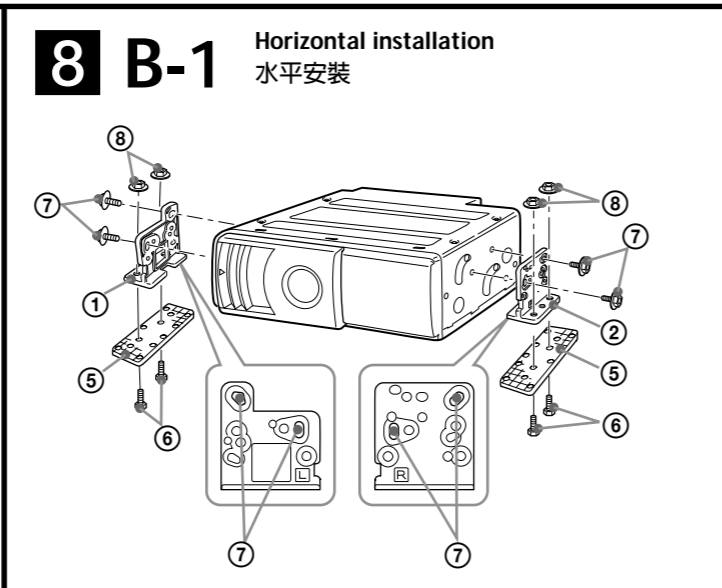
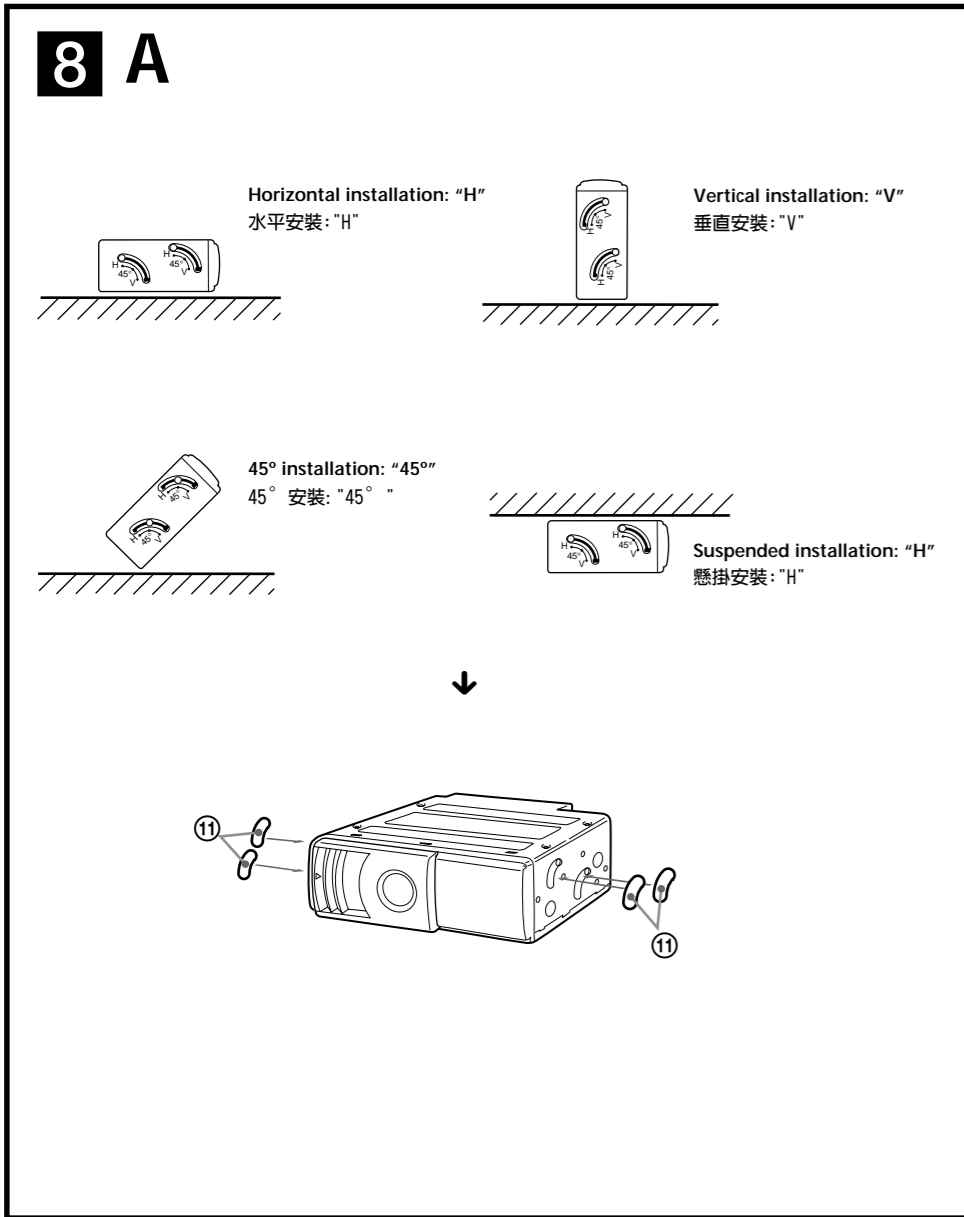
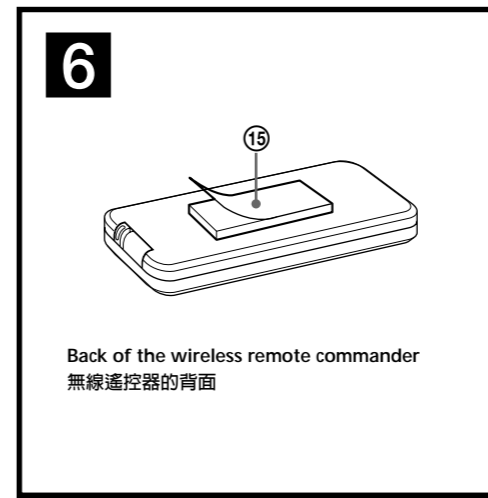
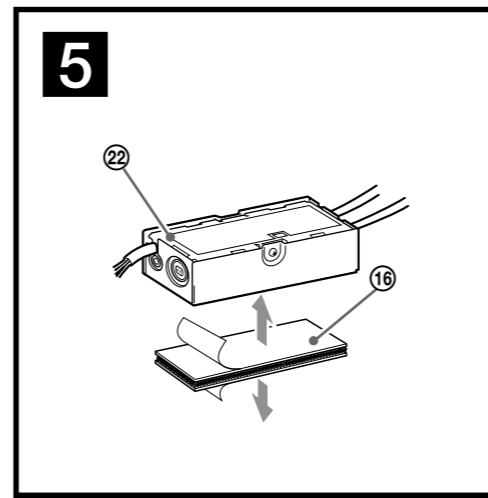
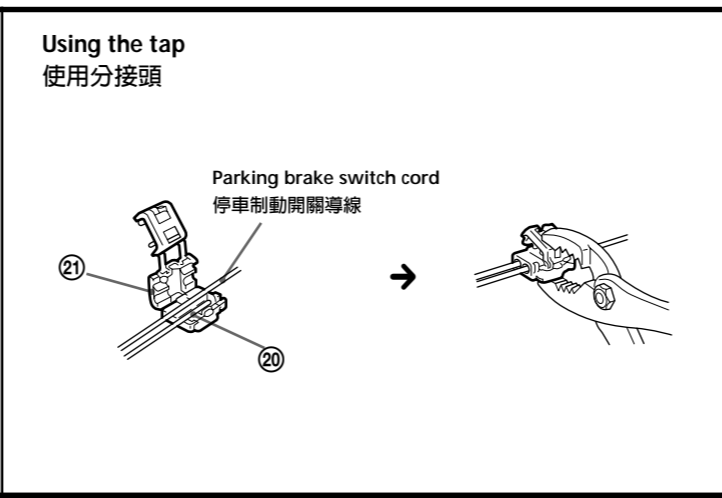
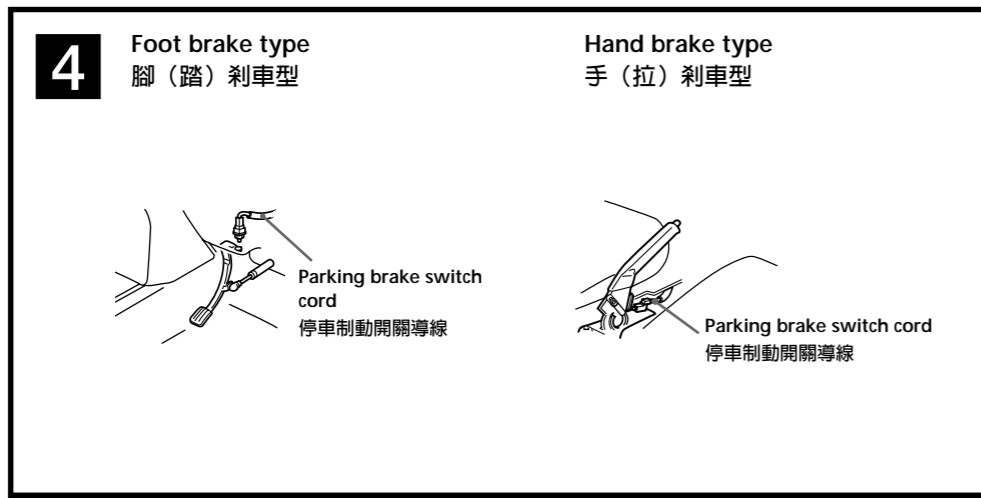
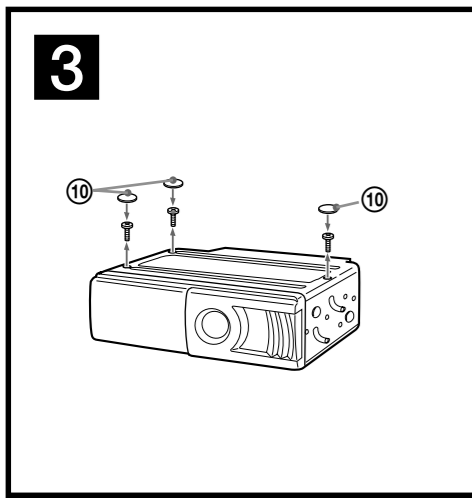
- A** 從電視/監視器揚聲器輸出。將 RCA 針形導線連接至電視/監視器音頻輸入端子。
- B** 從數碼放大器或音頻裝置輸出。將光纖 RC-97/98 (選購件) 等連接到數碼放大器或帶杜比數碼解碼器的音頻裝置。

- 進行連接時，務必牢固連接每根電纜。
- 當希望連接另一臺 CD/MD 換碟機時，請使用 Sony 設備源選擇器 XA-C30 (另購)。(2 A/B)
- 來自本機遙控器的信號可以被 A/V 中心的感應器接收。(2 B)
- 連接示例 2 中沒有使用附帶的遙控感應器。(2 B) 如果附帶的遙控感應器 (23) 連接到連接配接器上，則 A/V 中心無法接收來自本機遙控器的信號。(2 B)

2 B

Example 2





Precaution

- Choose the mounting location carefully, observing the following:
 - Do not install the unit where:
 - the ambient temperature exceeds 55 °C.
 - it will be exposed to direct sunlight or hot air from a heater.
 - it will be exposed to rain, water, or high humidity.
 - it will be exposed to a lot of dust.
 - it will be subject to excessive vibration.
 - The fuel tank should not be damaged by the tapping screws.
 - There should be no wire harnesses or pipelines under the place where you are going to install the unit.
 - The spare tyre, tools or other equipment in or under the trunk should not be interfered with or damaged by the screws or the unit itself.

Notes

- Be sure to use only the supplied mounting hardware for a safe and secure installation.
- Make holes of ø3.5 mm only after making sure there is nothing on the other side of the mounting surface.

Removing the screws (3)

- On the bottom of this unit are three screws for shipping purpose only. Be sure to remove them before installing.
- Place the seals (2) over any holes not used for shipping. These seals help to prevent dust building up, which could cause a malfunction.

Note

Keep the three screws for shipping purpose. Do not lose them.

Connecting the parking brake cord (4)

Be sure to connect the parking cord (4) (light green) to the parking brake switch cord. The mounting position of the parking brake switch cord depends on your car. Please consult your car dealer or your nearest Sony dealer for further details.

Using the tap

Attach the tap (21) to the end of the parking cord (4) (light green) and the parking brake switch cord.

Note

If the parking brake switch cord is too thin, it may cause loose connection.

Connection adaptor (5)

Wipe the installation surface clean and use surface fastener (9) to attach the unit.

Wireless remote commander (6)

Wipe the installation surface clean and attach surface fastener (9). Be sure to install it in a position that will not interfere with driving.

Remote control sensor (7)

- Before installing the remote control sensor, confirm the maximum signal distance of remote control. The remote control can be used up to approximately 3 m from the light sensor, in a conical area spreading roughly 15° from the light sensor.
- Wipe the installation surface clean and attach surface fastener (9). Be sure to install it in a position that will not interfere with driving.
- If necessary, secure the remote control sensor cord with the cord clamp (3).

How to install the DVD changer (8)

When you install the DVD changer, be careful not to damage wiring or equipment on the other side of the mounting surface.

Before installing the DVD changer (8 A)

- Before installing this unit, set the built-in anti-vibration board as illustrated, depending on the angle.
- After setting the angle, place the seals (1) over any holes on the side of this unit. These seals help to prevent dust building up, which could cause a malfunction.

Note for vertical installation (8 B-1)

Before installing in the vertical position, pass the cable of (2) through the hole at the lower left of the bracket (3).

When the unit is to be installed under the rear tray or in the trunk, observe the following. (8 C)

- Choose the mounting location carefully so that the unit can be installed horizontally.
- Make sure the unit does not hinder the action of the torsion bar spring, hinge, etc. of the deck lid.

Note

Make installation holes in the rear dash, after making sure there is nothing obstructing.

使用前注意事項

- 請注意下列各點仔細選擇合適的安裝位置：
 - 不要把機器安裝在：
 - 周圍溫度超過 55 °C 的地方。
 - 直接照射到陽光的地方或暴露在加熱器的熱氣中。
 - 暴露於雨中、水中、或高濕處。
 - 極多塵埃的地方。
 - 會受到過大震動的地方。
 - 不可讓攻絲螺釘傷到油箱。
 - 要安裝機器的位置底下，不可有配電線或配管。
 - 螺絲釘或機器本身切勿傷及或妨礙行李箱裡或下面的備用輪胎、工具或其他裝置。

- 安裝時，只可以使用附帶的零件以確保安全和穩固的安裝。
- 在確認安裝面反側無其他導線等物後，方可鑽開數個直徑為 3.5 mm 的小孔。

卸下螺絲 (3)

- 本裝置底部的三個螺絲僅為運輸之用，安裝前應先將其拆下。
- 用封貼 (2) 將所有安裝中不需要的孔和用於運輸的三個螺絲孔封住。封貼可以防止灰塵進入而造成故障。

註

將三個用於運輸的螺絲保存好，不要遺失。

連接停車制動導線 (4)

務必將停車導線 (2) (綠燈) 連接至停車制動開關導線上。停車制動開關導線的安裝位置視您的汽車而定。詳細情況請向您的汽車經銷商或就近向 Sony 經銷商查詢。

使用分接頭

用分接頭 (21) 連接停車導線 (2) (綠燈) 的末端和停車制動開關導線。

註

如果停車制動開關導線太粗，則可能導致連接鬆動。

連接配接器 (5)

擦乾淨安裝表面，用粘扣帶 (9) 固定本機。

無線遙控器 (6)

擦乾淨安裝表面並貼上粘扣帶 (9)。請確信安裝位置不會影響駕駛。

遙控傳感器 (7)

- 在安裝遙控傳感器前，請先確認最大遙控訊號距離。遙控器最遠可在距傳感器燈約 3 米，從傳感器燈起以大約 15° 角圓錐形發散的區域內使用。
- 擦乾淨安裝表面並貼上粘扣帶 (9)。
- 如有需要，可用導線夾 (3) 將遙控傳感器導線固定住。

如何安裝 DVD 換碟器 (8)

安裝 DVD 換碟器時，不可傷及安裝處反面的配電線或其他設備。

安裝 DVD 換碟器前 (8 A)

- 安裝本裝置前，請根據角度，按照圖示安置內置防震板。
- 設定角度後，用封貼 (1) 將本裝置側面的所有孔封住。這些封貼能防止灰塵進入裝置而造成故障。

垂直安裝注意事項 (8 B-1)

在垂直安裝之前，請將電纜 (2) 穿過位於支架 (3) 左下方的孔。

要把本機安裝在行李箱中或後支架下面時，請注意下列事項。 (8 C)

- 仔細選擇安裝位置，以使本機能保持水平安裝。
- 請確認本機器不會妨礙車箱蓋的扭桿彈簧、鉸鏈等的動作。

註

在確信沒有任何障礙物後，在汽車後隔板內鑽安裝孔。