

Cassette Player

Operating Instructions

使用說明書（反面）



WM-EX631

Sony Corporation ©2002 Printed in Malaysia

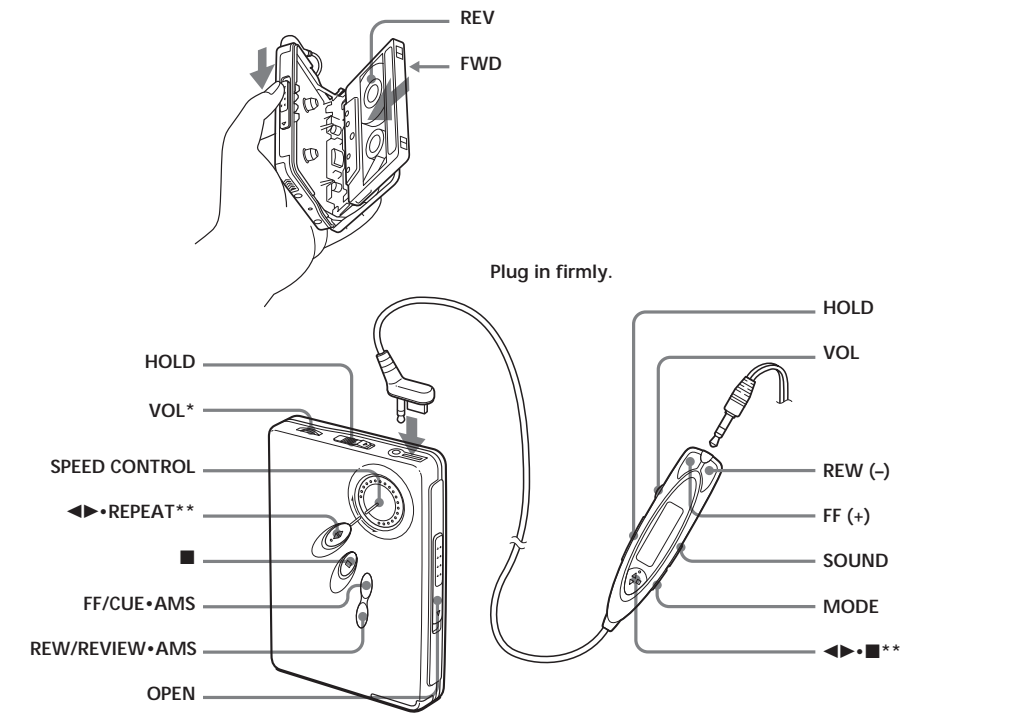
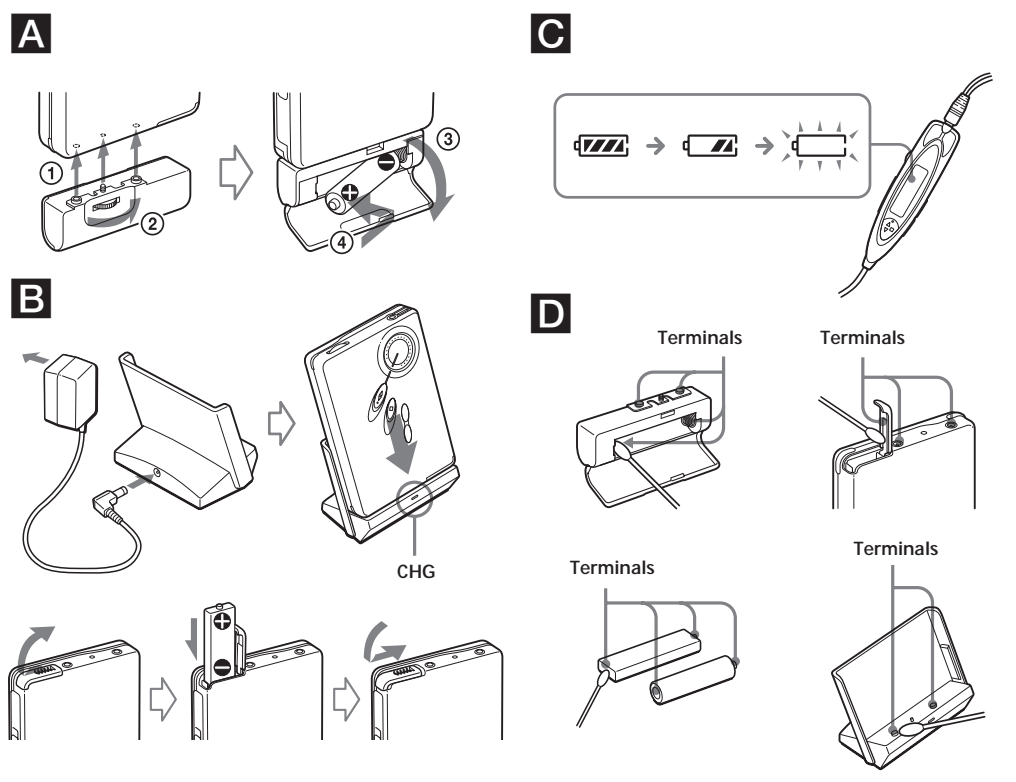
Printed using VOC (Volatile Organic Compound)-free vegetable oil based ink.

The validity of the CE marking is restricted to only those countries where it is legally enforced, mainly in the countries EEA (European Economic Area).

CE 標誌的有效性，僅限於那些有法律限制的國家，主要在 EEA（歐洲經濟區）國家。

<http://www.sony.net/>

WALKMAN is a trademark of Sony Corporation.



Specifications

Frequency response
Playback: 30 - 18 000 Hz

Output
Headphones (⌚) jack
Load impedance 8 - 300 Ω

Power requirements
1.5 V
Rechargeable battery
One R6 (size AA) battery

Dimensions (w/h/d)
Approx. 77.1 × 108.1 × 20.4 mm (excl. projecting parts and controls)

Mass
Approx. 142 g (main unit only)

Supplied accessories

- Battery case (1)
- AC power adaptor (1)
- Charging stand (1)
- Stereo headphones or earphones with remote control (1)
- Rechargeable battery (NH-10WM, 1.2 V, 900 mAh (MIN), Ni-MH) (1)
- Carrying pouch (1)
- Rechargeable battery carrying case (1)
- AC plug adaptor (1) ("Sony word model" only)

Design and specifications are subject to change without notice.

Battery life* (Approx. hours) (in playback)	
Rechargeable NH-10WM fully charged**	22
Sony alkaline LR6 (SG)***	46
Rechargeable NH-10WM	68
Sony alkaline LR6 (SG) used together***	

* Measured value by the standard of JEITA (Japan Electronics and Information Technology Industries Association). (Using a Sony HF series cassette tape)

** The charging time varies depending on the operating condition of the rechargeable battery.

***When using a Sony LR6(SG) "STAMINA" alkaline dry battery (produced in Japan).

Note

- The battery life may be shorter depending on the operating condition, the surrounding temperature and battery type.

English

WARNING

To prevent fire or shock hazard, do not expose the unit to rain or moisture.

Do not install the appliance in a confined space, such as a bookcase or built-in cabinet.

- To prevent fire, do not cover the ventilation of the apparatus with newspapers, table-cloths, curtains, etc. And don't place lighted candles on the apparatus.
- To prevent fire or shock hazard, do not place objects filled with liquids, such as vases, on the apparatus.
- Certain countries may regulate disposal of the battery used to power this product. Please consult with your local authority.

Preparations

Prepare a dry battery (not supplied) or the rechargeable battery (supplied).

Dry Battery A

Attach the supplied battery case, and then insert one R6 (size AA) battery with correct polarity.

Note

- For maximum performance we recommend that you use a Sony alkaline battery.

Rechargeable Battery B

Charge the rechargeable battery before using it for the first time.

- 1 Insert the supplied rechargeable battery NH-10WM into the rechargeable battery compartment with correct polarity.
- 2 Connect the supplied AC power adaptor to the charging stand, plug in the AC power adaptor to the house current (mains). If the plug does not fit your mains, attach the supplied AC plug adaptor ("Sony world model" only).
- 3 Place the main unit on the charging stand. The CHG lamp will light up. Full charging takes about 6 hours.

Note

- Do not use the unit while charging. Remove the unit from the charging stand when using it.
 - If you operate the unit while charging, the battery will not be charged.
 - If you operate the unit while charging, it may cause malfunction.
 - Do not place the unit on the charging stand without the rechargeable battery. Otherwise, it may cause malfunction.

Notes on the AC power adaptor

- Use only the supplied AC power adaptor. Do not use any other AC power adaptor.



- Connect the AC power adaptor to an easily accessible AC outlet. Should you notice an abnormality in the AC power adaptor, disconnect it from the AC outlet immediately.
- Do not touch the AC power adaptor with wet hands.

When to replace/charge the battery C

Replace or charge the battery when "□" flashes in the display on the remote control.

Note

- After the battery is replaced, the setting of the SOUND and MODE buttons will be erased.

Playing a Tape

- 1 Insert a cassette and if the HOLD function is on, slide the HOLD switch in the opposite direction of the arrow to unlock the controls.
- 2 Press ◀▶(play) • ■(stop) on the remote control and adjust the volume with VOL. (On the main unit, press ◀▶• REPEAT.)

When adjusting the volume on the remote control

Set the VOL control on the main unit to around 6.

When adjusting the volume on the main unit

Set the VOL control on the remote control at maximum.

Operation on the remote control

To	Press
Switch playback to the other side	◀▶•■ for more than a second during playback
Stop playback	◀▶•■ once during playback
Fast forward*	FF during stop
Rewind*	REW during stop
Play the other side from the beginning (Skip Reverse function)	FF for 2 seconds or more during stop
Play the same side from the beginning (Rewind Auto Play function)	REW for 2 seconds or more during stop

To	Press
Repeat the current track (Repeat Single Track function)	◀▶•■ twice during playback <i>To stop a single repeat, press ◀▶•■ once.</i>

Operation on the main unit

To	Press
Switch playback to the other side	◀▶• REPEAT during playback
Stop playback	■
Fast forward*	FF/CUE•AMS once during stop
Rewind*	REW/REVIEW•AMS once during stop
Play the other side from the beginning (Skip Reverse function)	FF/CUE•AMS for 2 seconds or more during stop
Play the same side from the beginning (Rewind Auto Play function)	REW/REVIEW•AMS for 2 seconds or more during stop
Repeat the current track (Repeat Single Track function)	◀▶• REPEAT for 2 seconds or more during playback <i>To stop a single repeat, press it again.</i>

* If ◀▶•■ on the remote control is pressed during fast forward or rewind, the Walkman switches to playback.

Other Tape Operations

To play the next track/succeeding 9 tracks from the beginning (AMS*)

On the remote control: Press FF once/repeatedly during playback.

On the main unit: Press FF/CUE•AMS once/repeatedly during playback.

To play the current track/previous 8 tracks from the beginning (AMS*)

On the remote control: Press REW once/repeatedly during playback.

On the main unit: Press REW/REVIEW•AMS once/repeatedly during playback.

* Automatic Music Sensor

Fast forward/rewind while listening to the sound (CUE/REVIEW)

On the remote control: Press and hold FF or REW during playback and release it at the point you want.

On the main unit: Press and hold FF/CUE•AMS or REW/REVIEW•AMS during playback and release it at the point you want.

Using Other Functions

Adjusting the Tape Playback Speed

You can adjust the playback speed using SPEED CONTROL.

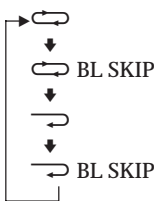
Turn SPEED CONTROL to:

SLOW (slow) to play back at a slower speed. Center position to play back at normal speed. FAST (fast) to play back at a faster speed.

Adjusting Playback Mode

You can adjust the playback direction mode (↔ or →) as well as the BL SKIP mode (on or off).

1 Press MODE repeatedly. With each press the indications change as follows:



- When "BL SKIP" is displayed, the tape is fast-forwarded to the next track if there is a blank space of longer than 12 seconds. You will hear repeated sets of three short beeps when skipping a blank.
- When "↔" is displayed, both sides of the tape is played repeatedly.
- When "→" is displayed, both sides of the tape is played once (if you start from R (REV) side, only REV side will be played).

Note

- You cannot adjust the playback mode during fast-forward or rewind.

Emphasizing Sound

1 Press SOUND repeatedly. With each press, the indications change as follows:

- RV (Sound Revitalizer): emphasizes treble sound
- MB (Mega Bass): emphasizes bass sound (moderate effect)
- GRV (Groove): emphasizes bass sound (strong effect)
- none: normal (no effect)

Notes

- If the sound is distorted with the mode "GRV", turn down the volume of the main unit or select other modes.
- You cannot change the mode during fast-forward or rewind.

Protecting Your Hearing — AVLS (Automatic Volume Limiter System)

Hold down MODE until "AVLS" appears in the display (about 10 seconds).

To cancel the AVLS function

Hold down MODE again until "AVLS" disappears from the display.

Note

- You cannot turn on/off the AVLS function during fast-forward or rewind.

Locking the Controls — HOLD Function

Slide the HOLD switch in the direction of the arrow to lock the controls of the Walkman (except SPEED CONTROL) or the remote control.

Precautions

On charging

- The supplied charging stand can be used only with this unit. No other model can be charged using this stand.
- Remove the AC power adaptor from the wall outlet as soon as possible after the rechargeable battery has been charged. Overcharging may damage the rechargeable battery.
- The charging stand and the rechargeable battery may become warm during charging, but this is not a problem.
- Do not tear off the film on the rechargeable battery.
- Use only the supplied charging stand to charge the supplied rechargeable battery.
- Be sure not to short-circuit the battery. When you carry it with you, use the supplied carrying case. If you are not using the case, do not carry the battery with other metallic objects such as keys, rings in your pocket.
- If the rechargeable battery is new or has not been used for a long time, it may not be charged completely until you use it several times.

On batteries

- Do not charge a dry battery.
- Do not carry the dry or rechargeable batteries with coins or other metallic objects. It can generate heat if the positive and negative terminals of the batteries are accidentally contacted by a metallic object.
- When you do not use the Walkman for a long time, remove the battery to avoid any damage caused by battery leakage and subsequent corrosion.

On handling

- Do not leave the unit in a location near heat sources, or in a place subject to direct sunlight, excessive dust or sand, moisture, rain, mechanical shock, or in a car with its windows closed.
- The LCD display may become hard to see or slow down when using the unit at high temperatures (above 40°C/104°F) or at low temperatures (below 0°C/32°F). At room temperature, the display will return to its normal operating condition.
- Do not use cassettes longer than 90 minutes except for long continuous playback.
- If the unit has not been used for long, set it in the playback mode to warm up for a few minutes before you start using again.

On the remote control

Use the supplied remote control only with this unit.

On headphones/earphones

Road safety

Do not use headphones/earphones while driving, cycling, or operating any motorized vehicle. It may create a traffic hazard and is illegal in some areas. It can also be potentially dangerous to play your headphones/earphones at high volume while walking, especially at pedestrian crossings. You should exercise extreme caution or discontinue use in potentially hazardous situations.

Preventing hearing damage

Do not use headphones/earphones at high volume. Hearing experts advise against continuous, loud and extended play. If you experience a ringing in your ears, reduce volume or discontinue use.

Caring for others

Keep the volume to a moderate level. This will allow you to hear outside sounds and to be considerate to the people around you.

On maintenance

- Clean the tape head and tape path, using a cotton swab and commercially available cleaning solvent after every 10 hours of use.
- To clean the exterior, use a soft cloth slightly moistened in water. Do not use alcohol, benzine or thinner.
- Clean the headphones/earphones and remote control plugs periodically.
- Clean the battery case terminals (both inside and outside) and the terminals periodically with a cotton swab or soft cloth as illustrated. B

