

IC Recorder

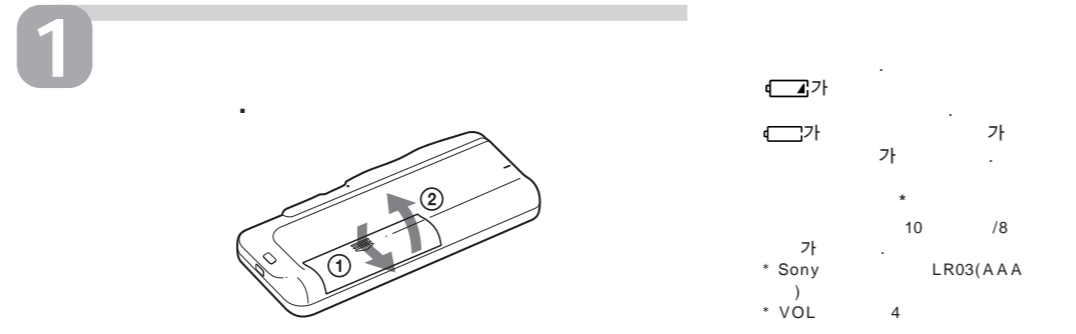
IC RECORDER ICD-P17/P27

©2003 Sony Corporation Printed in Japan

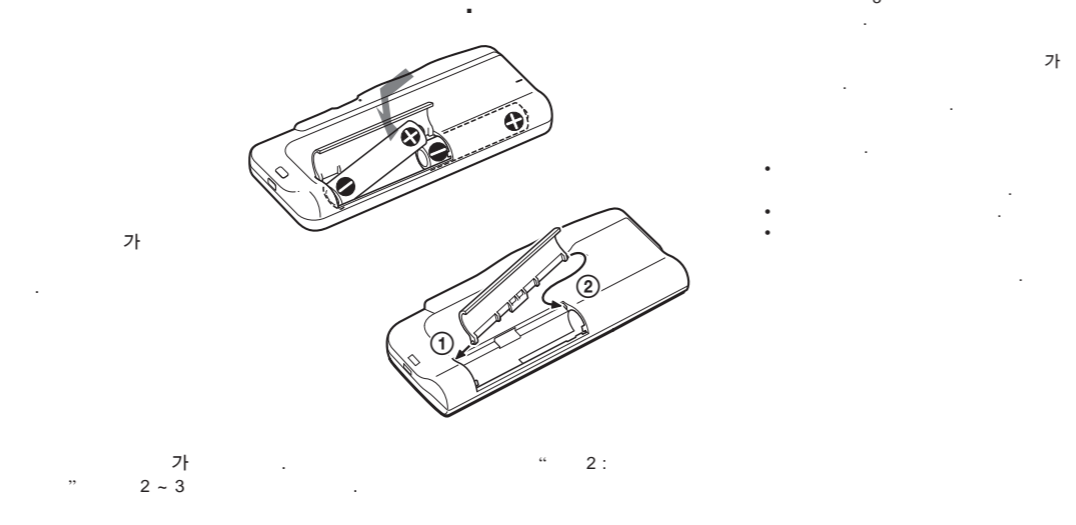
<http://www.sony.net/>

eco info VOC (Volatile Organic Compound) 100%

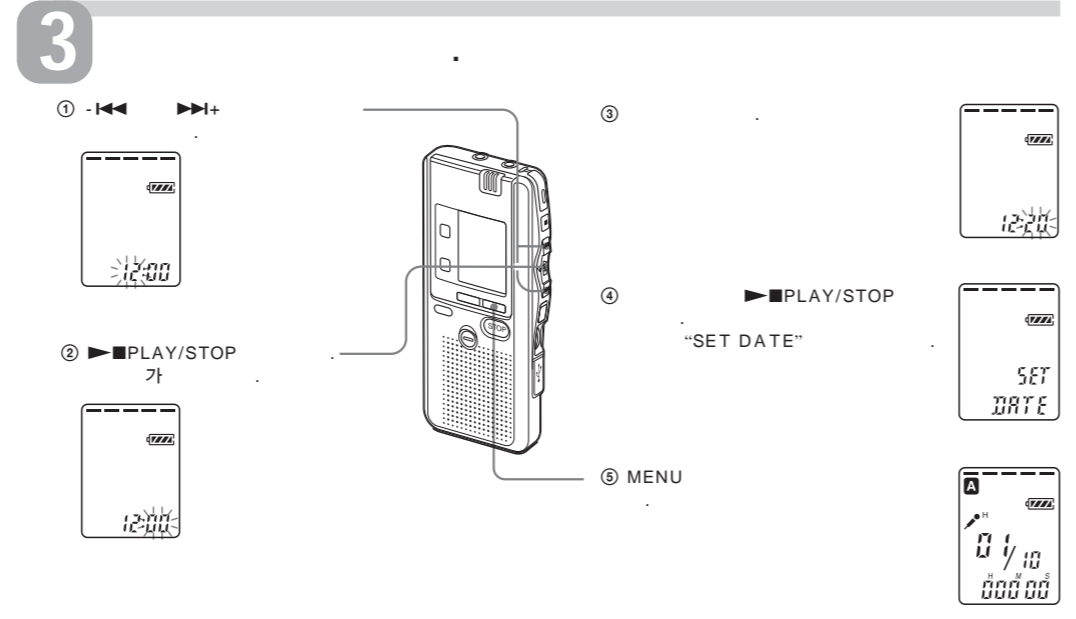
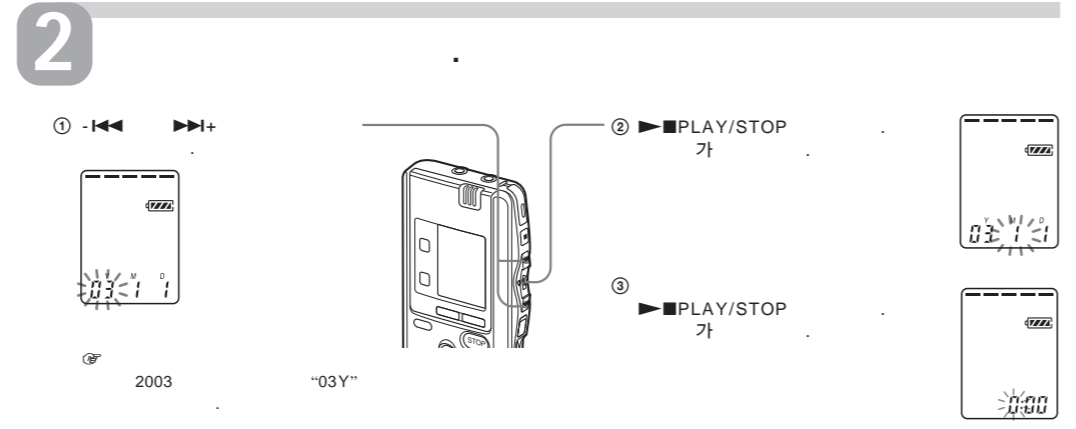
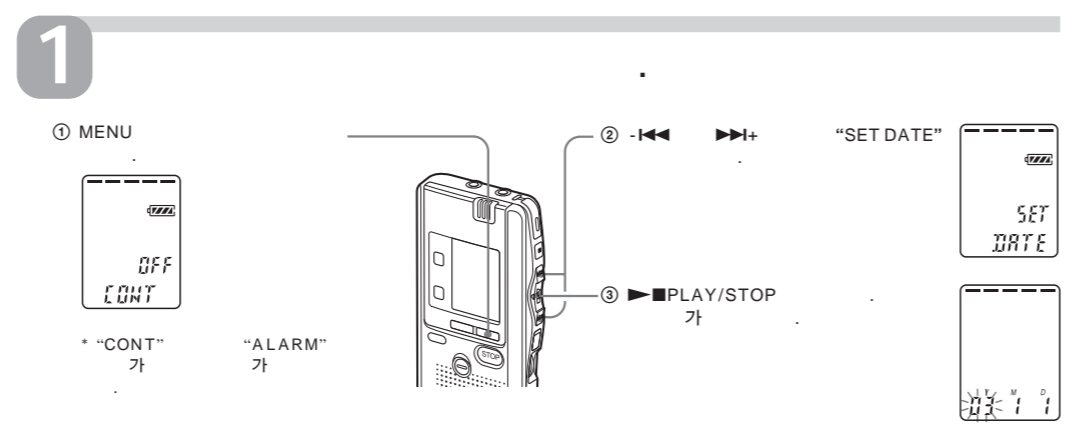
1 :



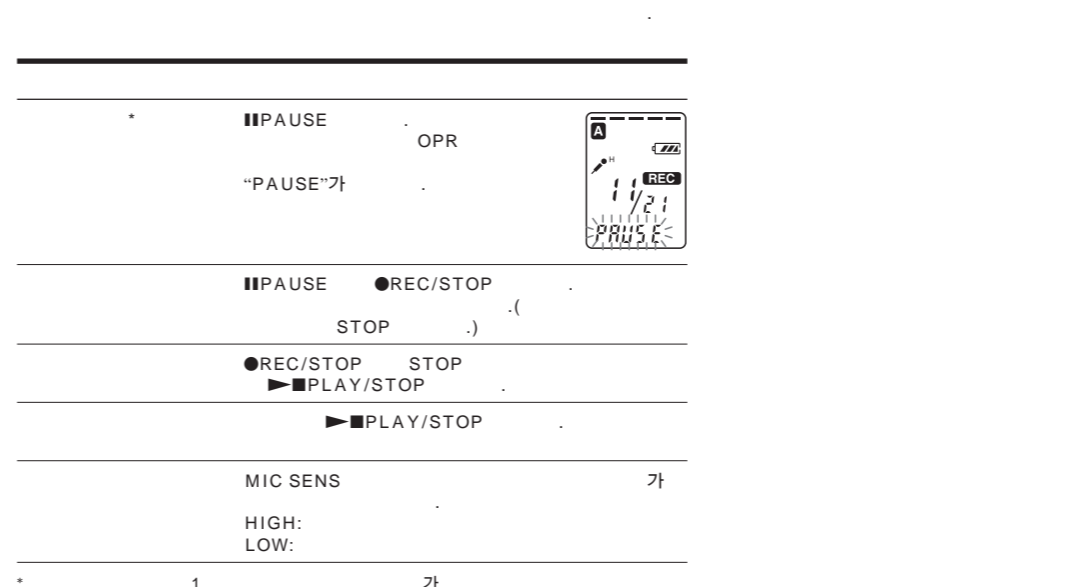
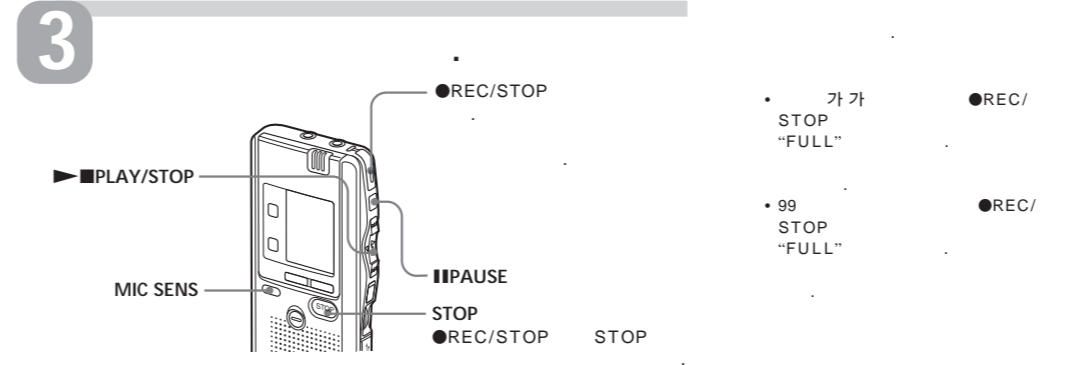
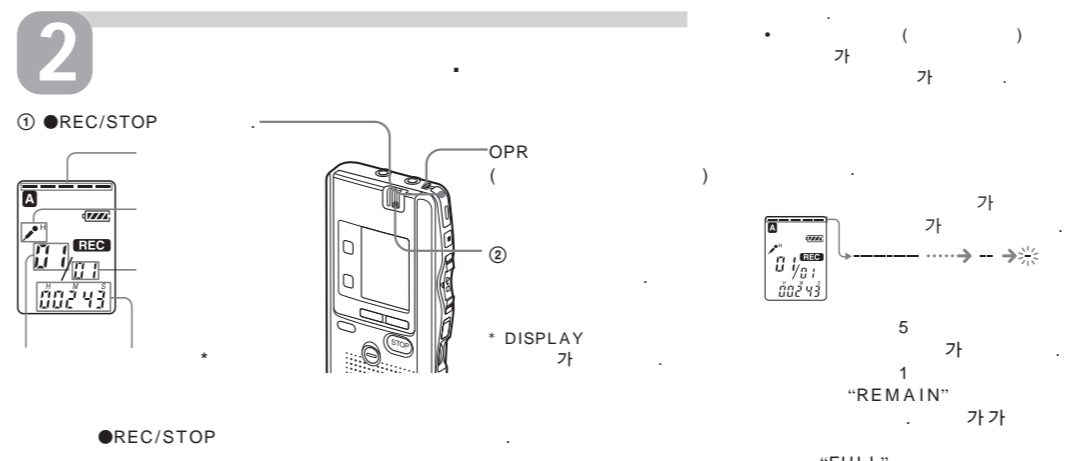
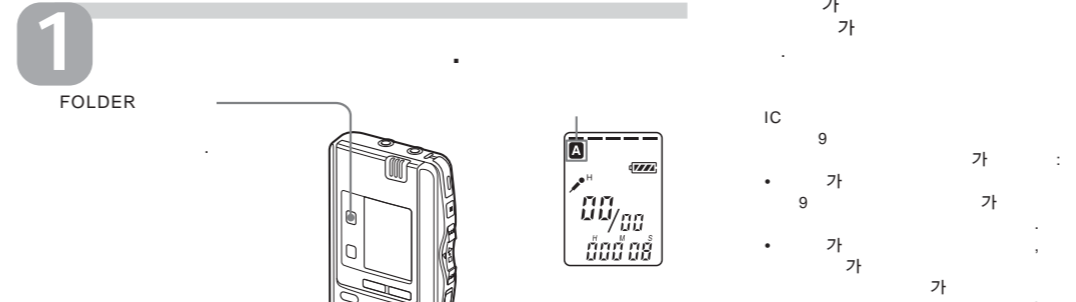
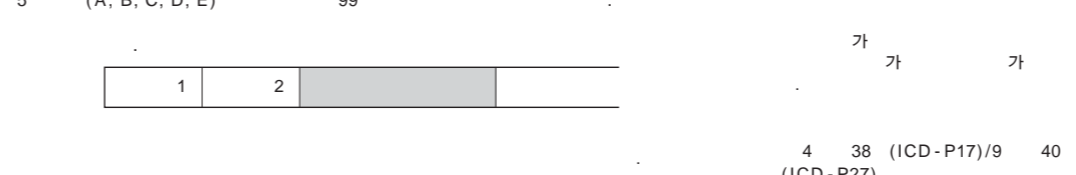
2 LR03(AAA)



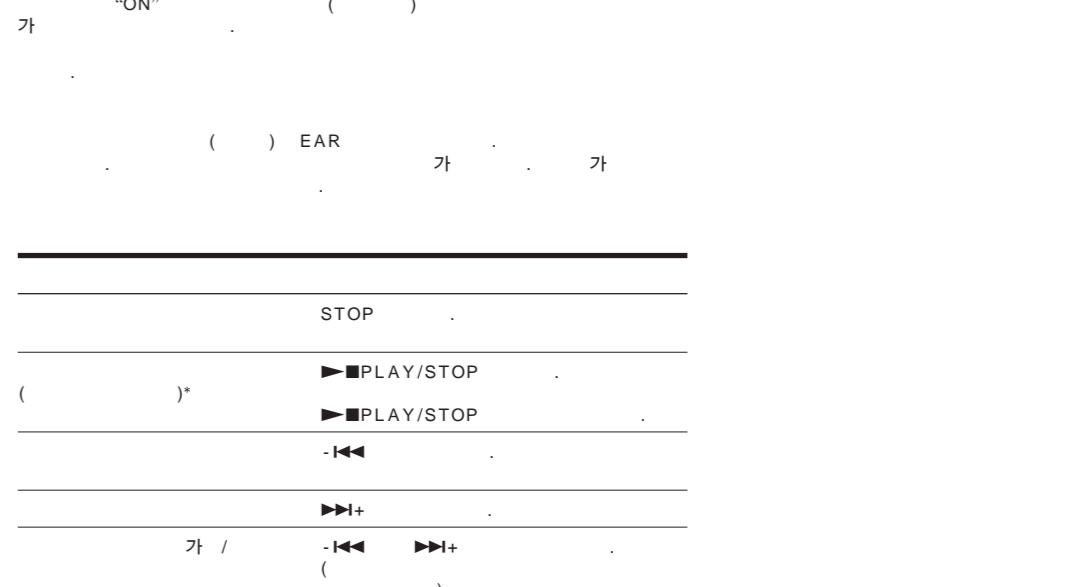
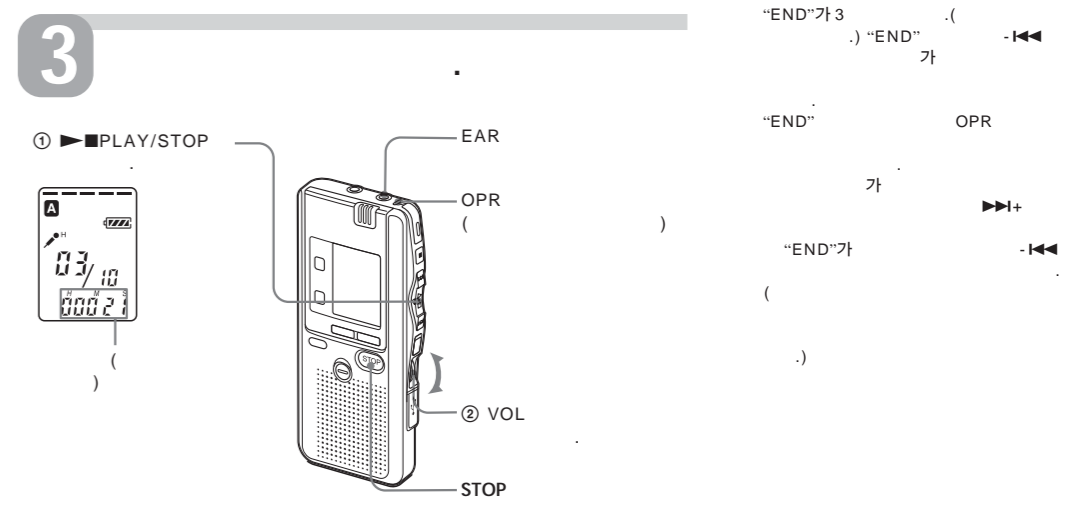
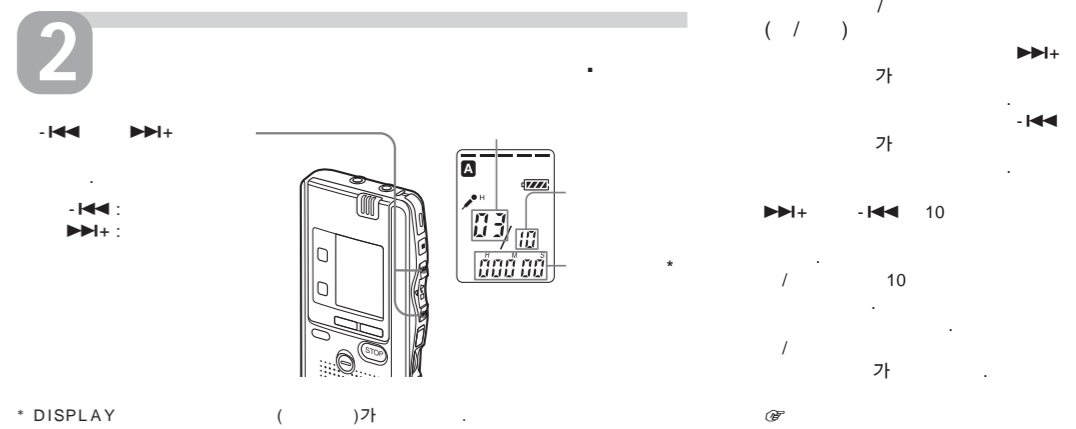
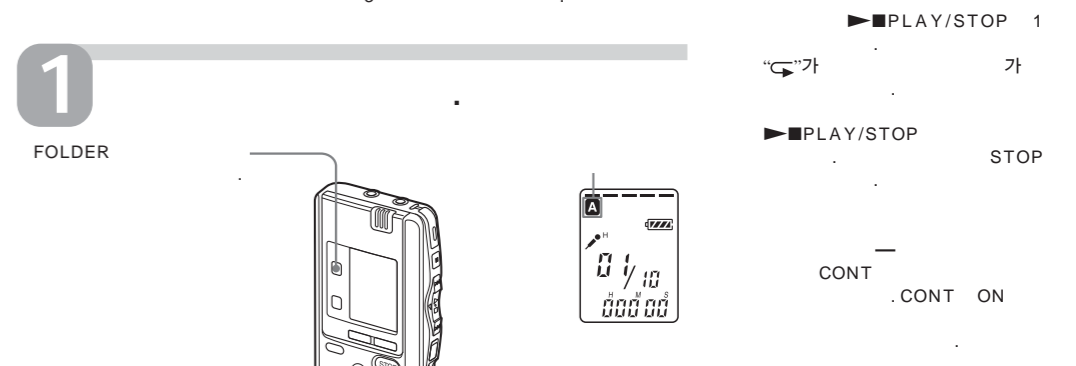
2 :

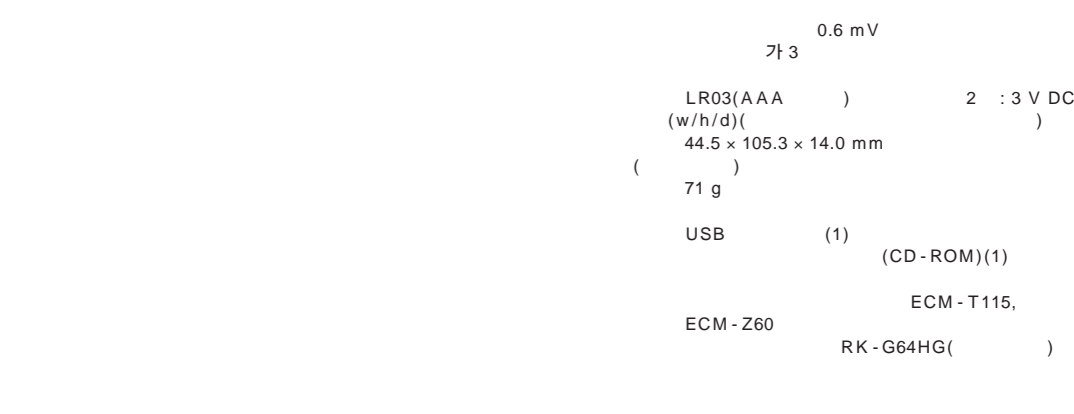
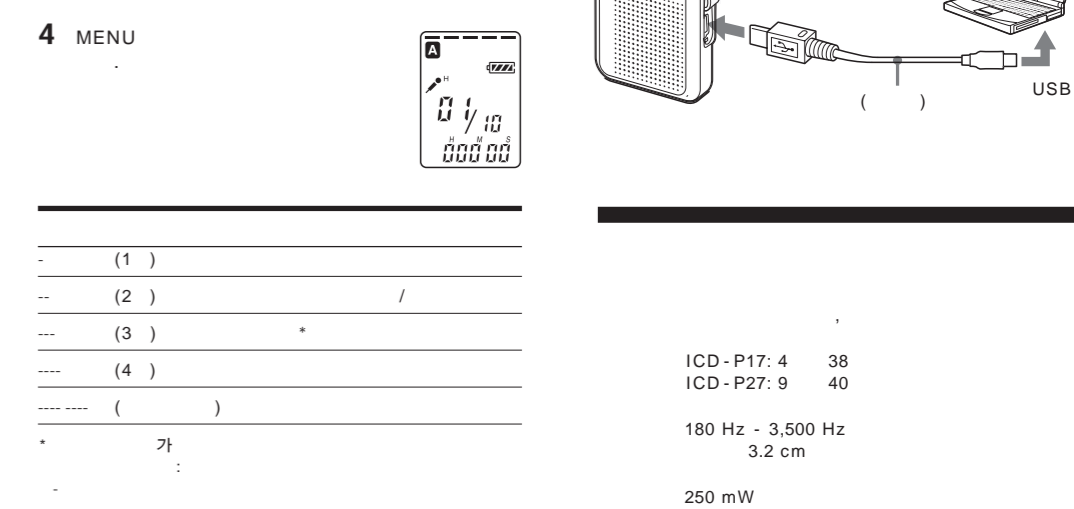
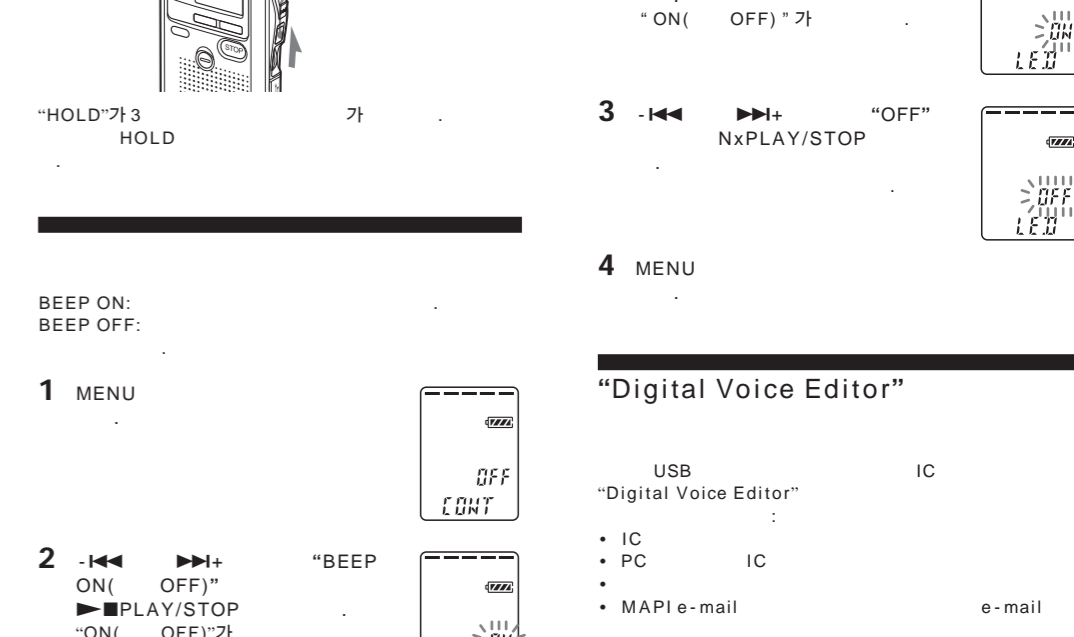
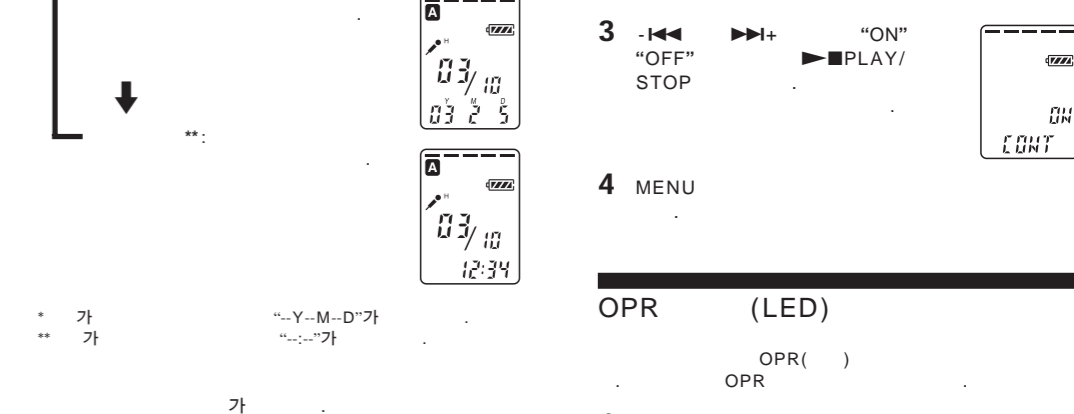
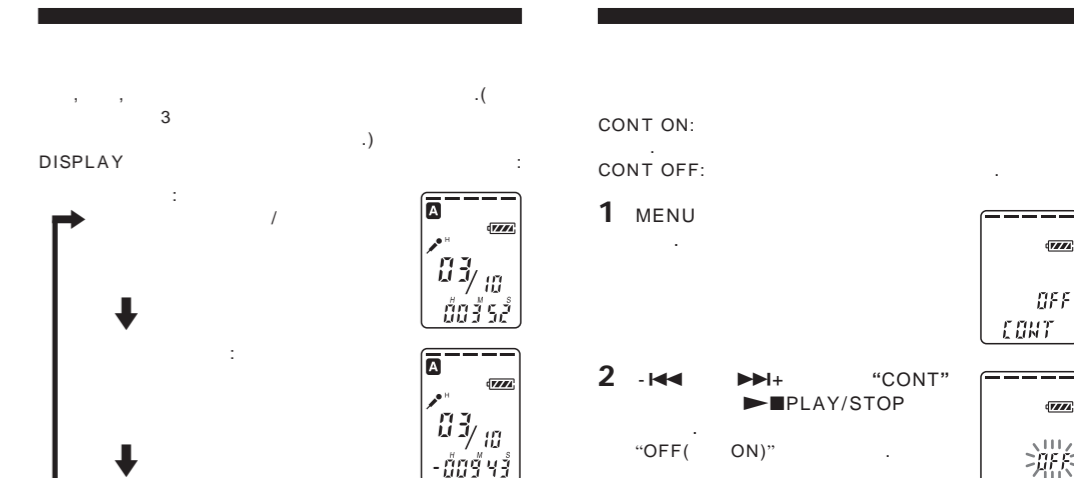
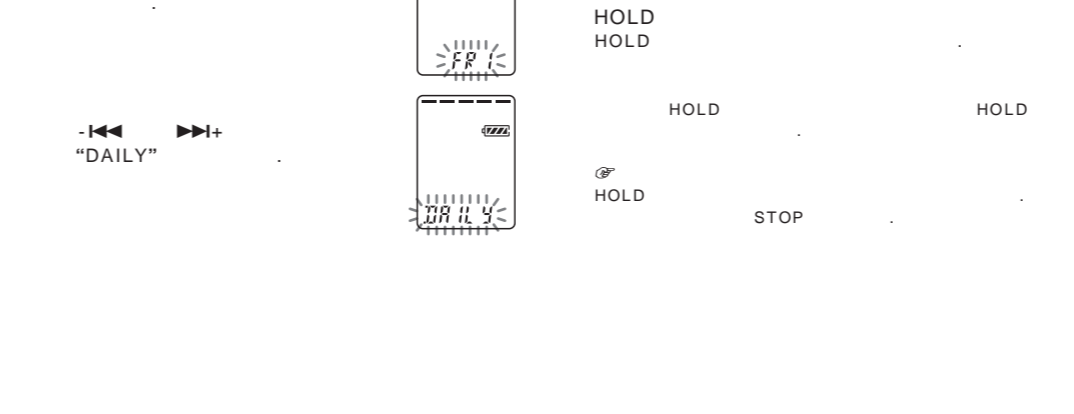
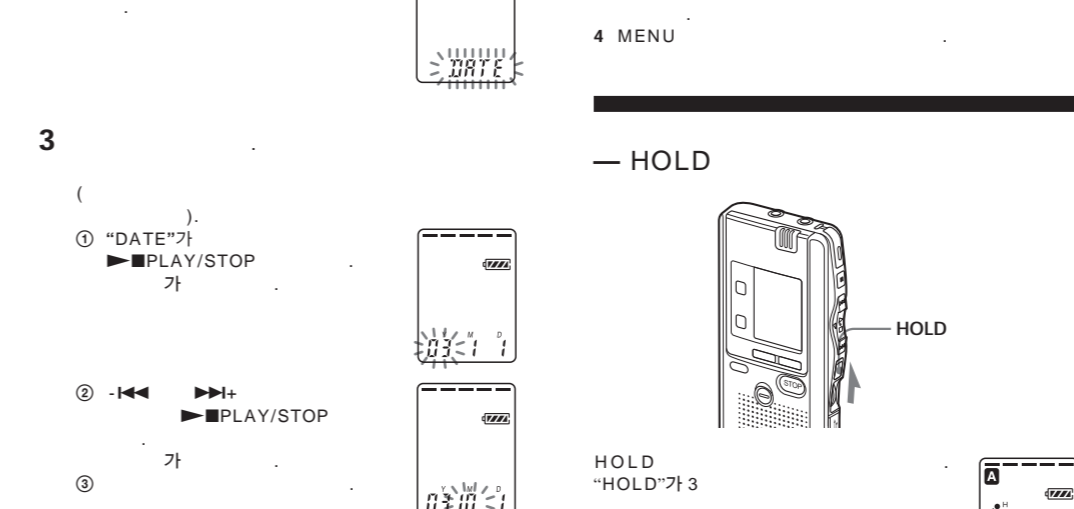
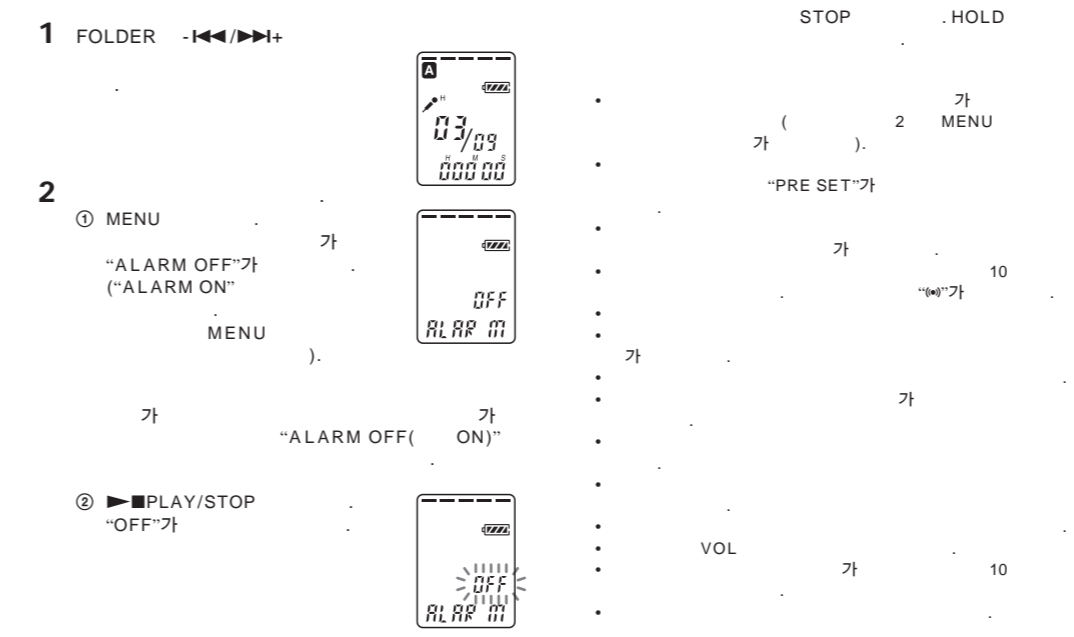
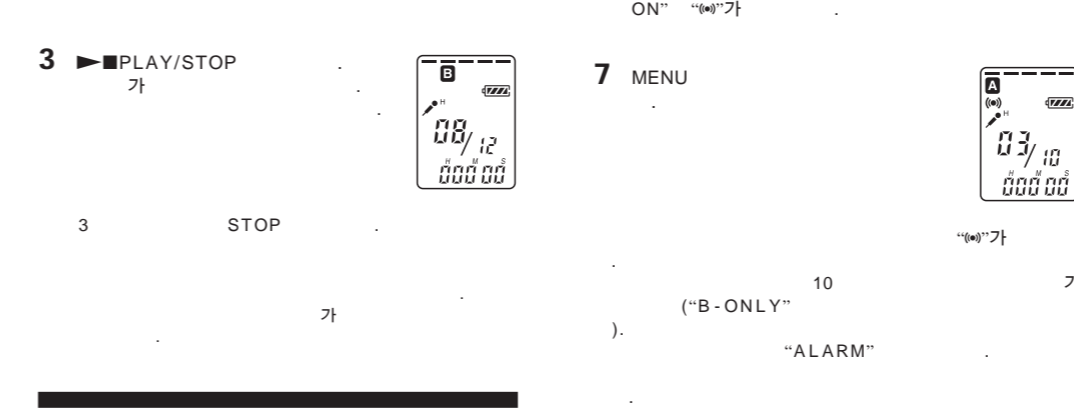
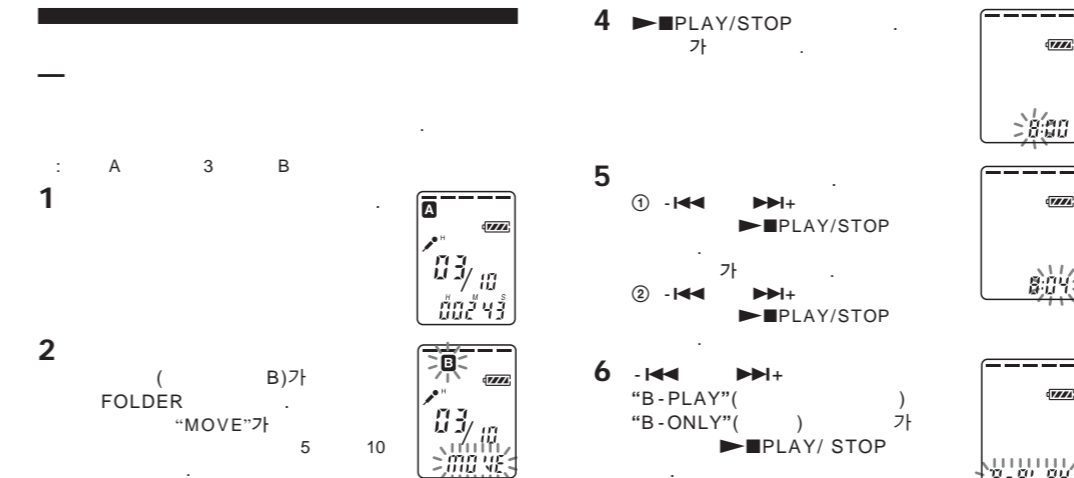
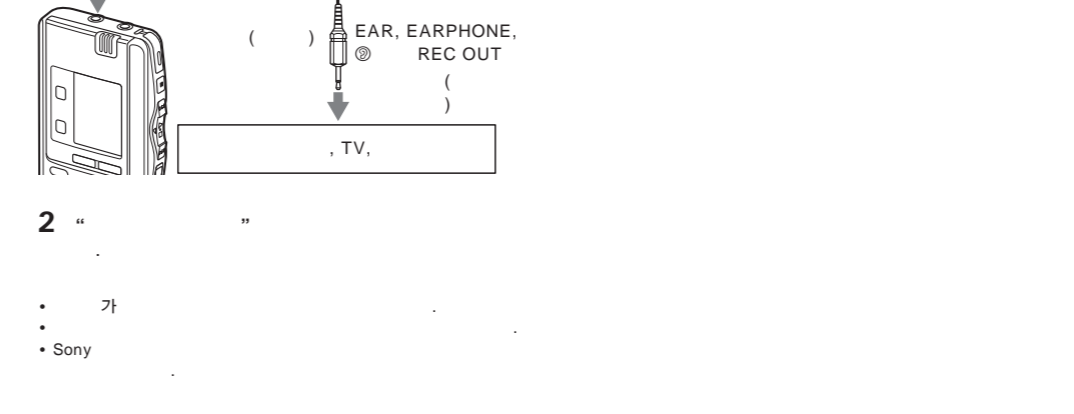
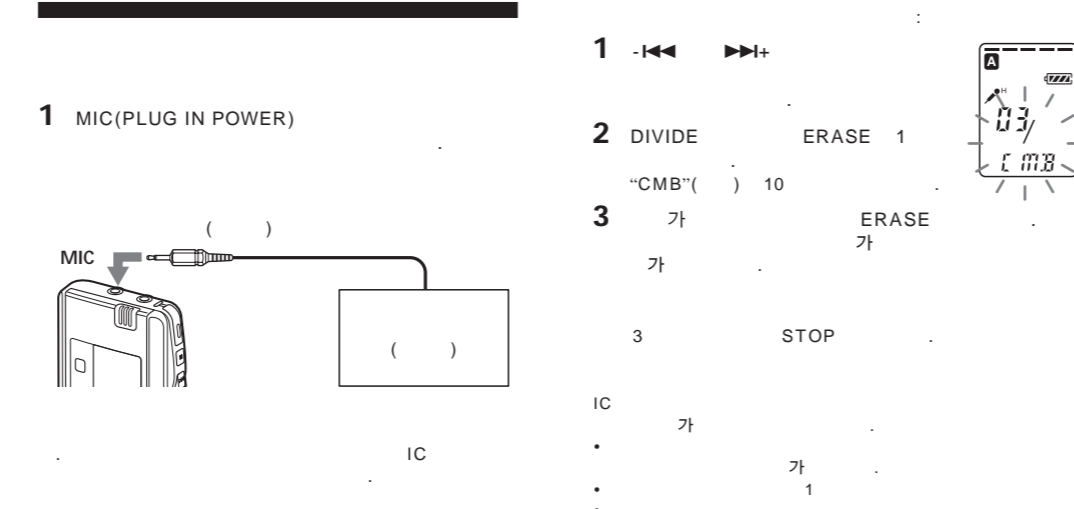
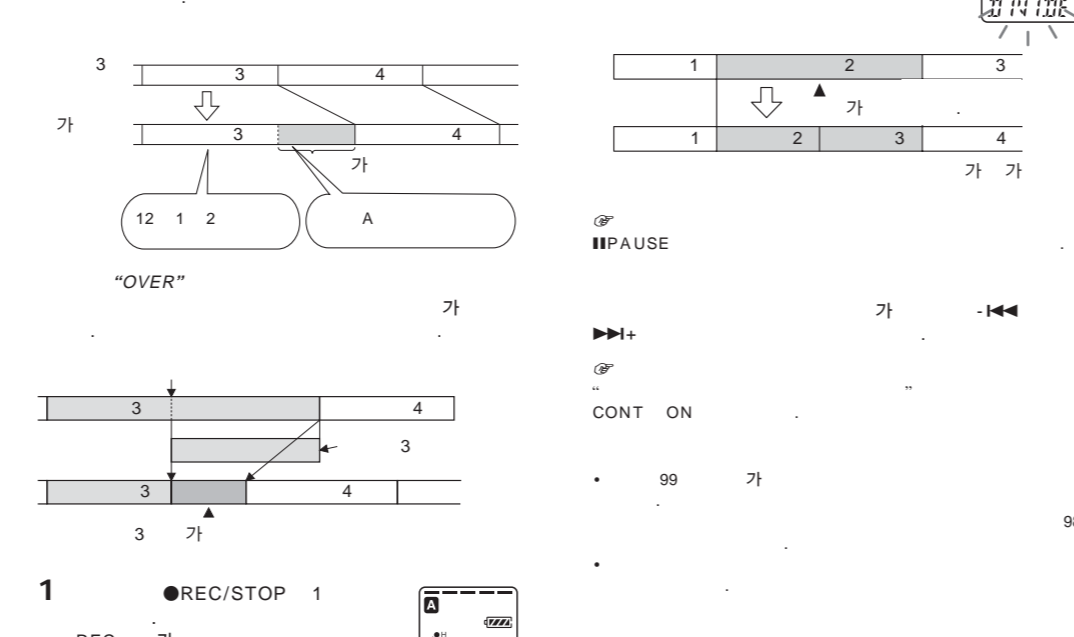
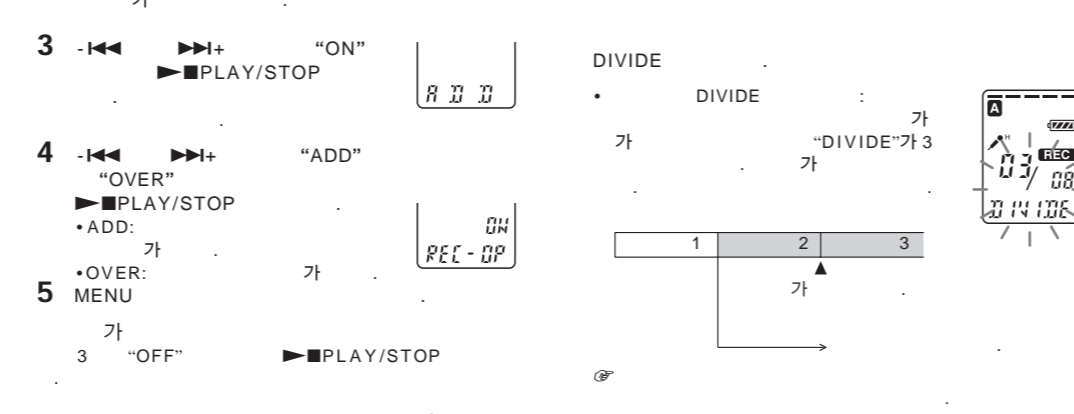
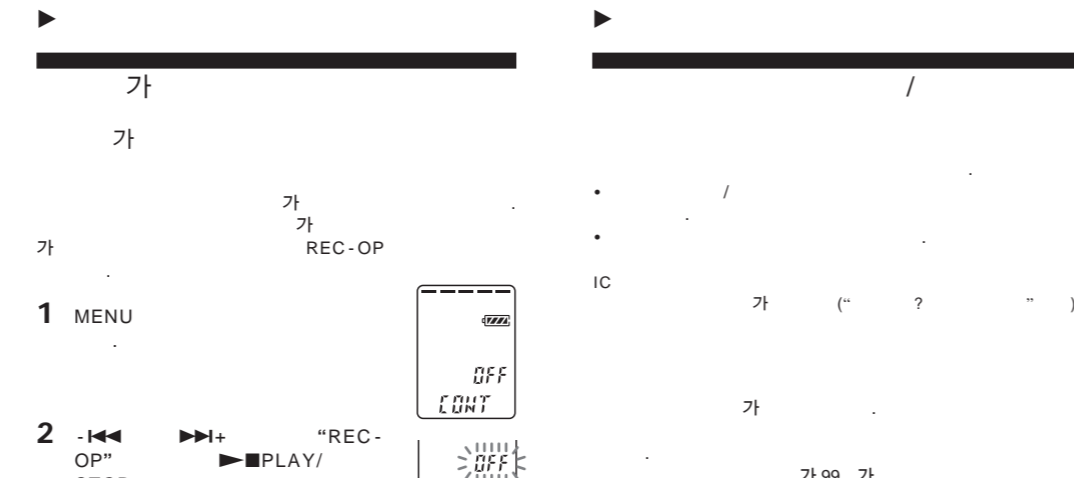
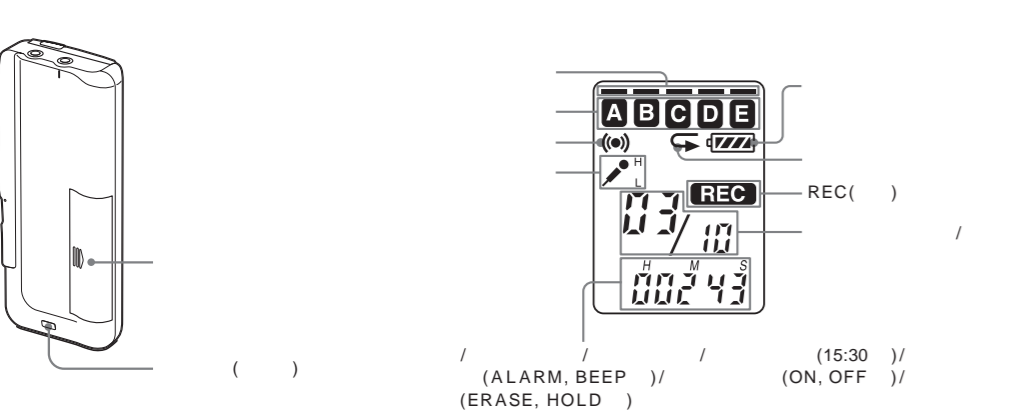
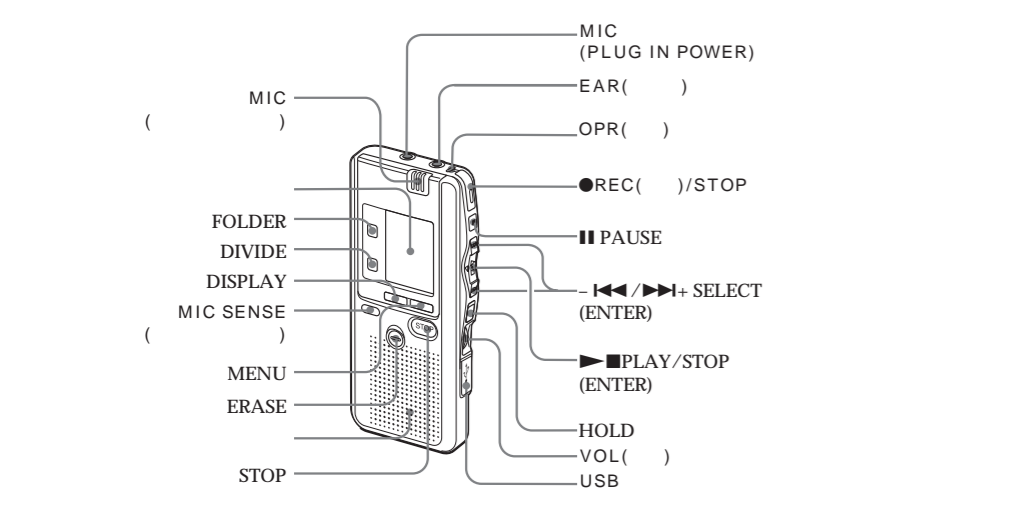
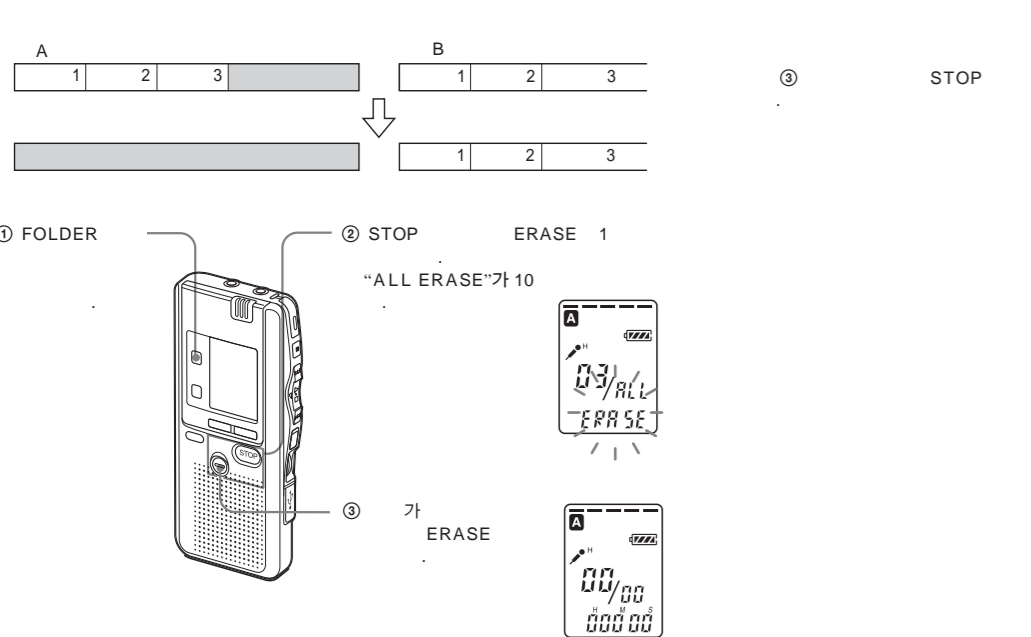
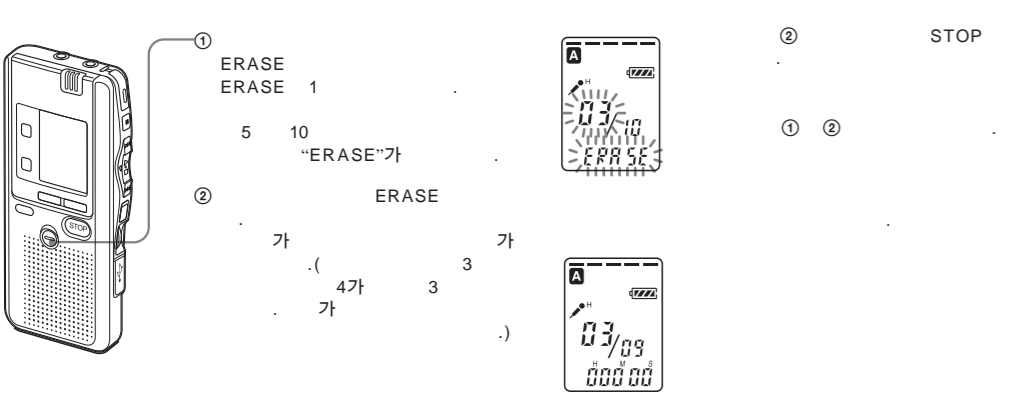
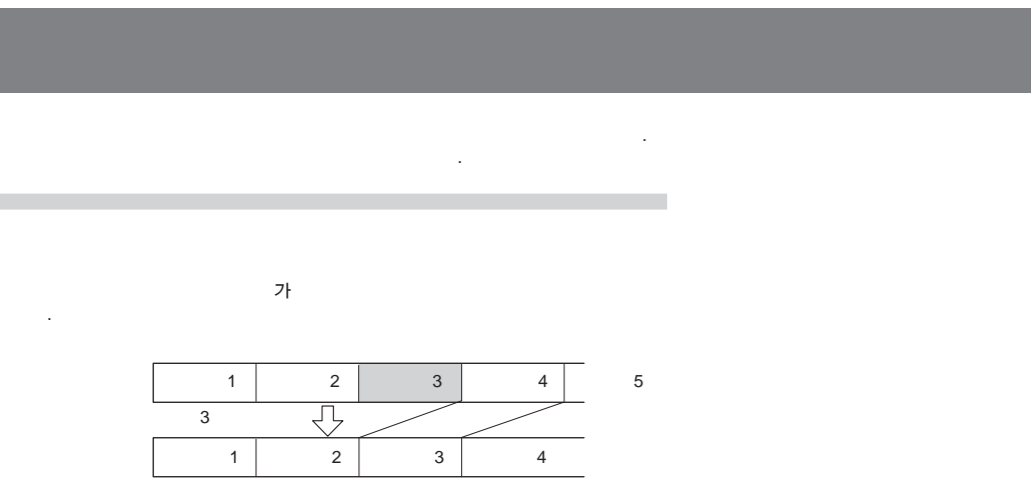


5 (A, B, C, D, E) 99



1





CONT ON:

CONT OFF:

OPR (LED)

OPR()

1 MENU

2 -|<< |>> "LED" PLAY/STOP

"ON(OFF) " 가

3 -|<< |>> "OFF" PLAY/STOP

NxPLAY/STOP

4 MENU

"Digital Voice Editor"

USB "Digital Voice Editor" IC

- IC IC
- PC IC
- MAPI e-mail e-mail

"Digital Voice Editor2"

IC USB

() USB

ICD - P17: 4 38

ICD - P27: 9 40

180 Hz - 3,500 Hz

3.2 cm

250 mW

+8 - 300 ()

()

0.6 mV

가 3

LR03(AAA) 2 : 3 V DC ()

(w/h/d)(44.5 × 105.3 × 14.0 mm)

() 71 g

USB (1) (CD-ROM)(1)

ECM - T115,

ECM - Z60 RK - G64HG()

가