

FM/AM Radio

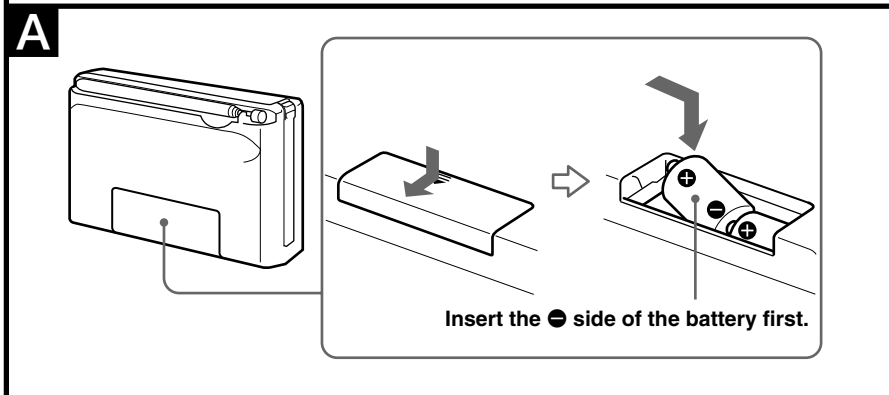
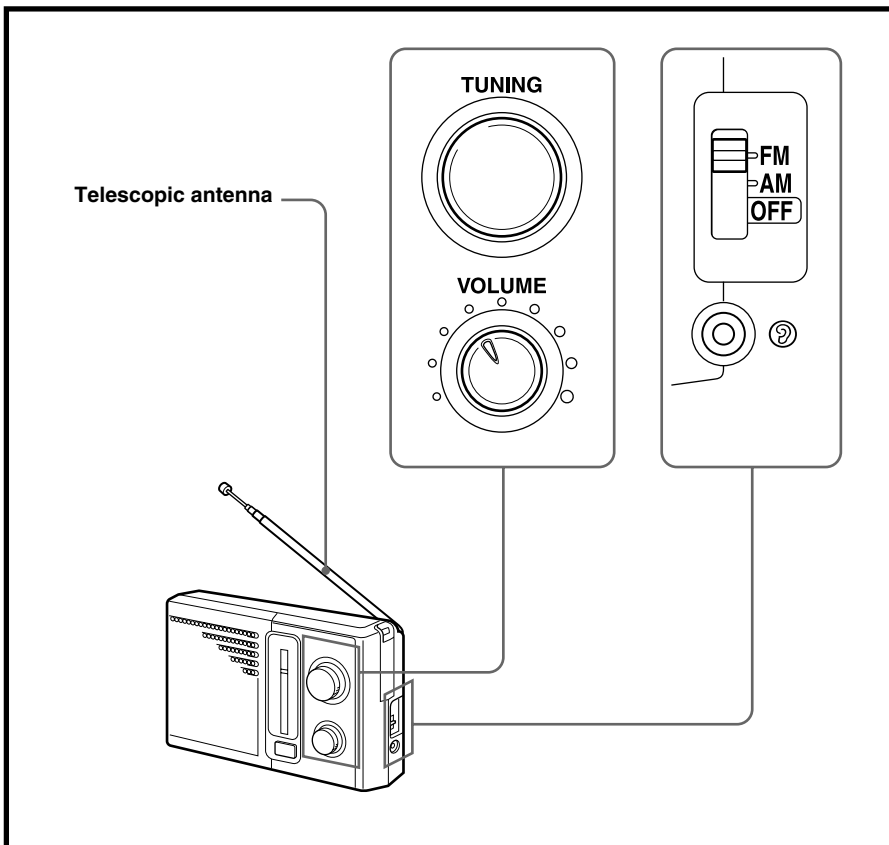
Operating Instructions

使用説明書 (背面)

ICF-F10

© 2007 Sony Corporation Printed in China

<http://www.sony.net/>



Features

- High power radio
- Long battery life with two R20 (size D) batteries.
- Easy to carry with the supplied carrying strap.

Installing the Batteries (see fig. A)

- 1 Open the lid of the battery case.
- 2 Insert the batteries with correct polarity.
- 3 Close the lid.

Battery life

Using Sony batteries R20 (size D):
FM: Approx. 200 hours
AM: Approx. 220 hours

Replacing batteries

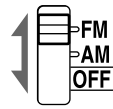
When the sound becomes weak or distorted, replace all the batteries with new ones.

Note

When the unit is not to be used for a long period of time, remove the batteries to avoid damage caused by battery leakage and corrosion.

Operating the Radio

- 1 Set FM/AM/OFF to "FM" or "AM."
Power is turned on.



- 2 Tune in a station using TUNING.



- 3 Adjust the volume using VOLUME.

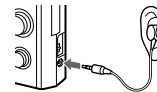


To turn off the radio

Set FM/AM/OFF to "OFF."

To listen with an earphone (not supplied)

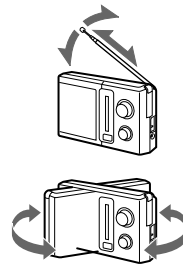
When an earphone is connected to the earphone jack, the sound through the speaker cannot be heard.



Improving the Reception

FM: Extend the telescopic antenna and adjust the length and the angle for the best reception.

AM: Since the reception is affected by the direction of the radio, rotate the radio horizontally for optimum reception.

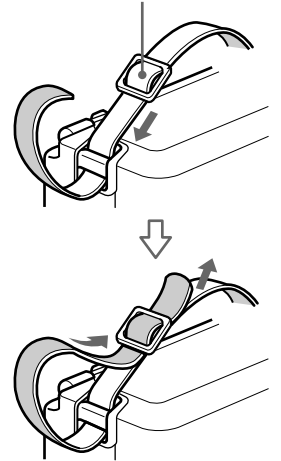


Attaching the Supplied Carrying Strap

When you carry the unit, use the supplied carrying strap.

Pass the strap under the bar on each side of the radio.

Pass the strap through the buckle.



Precautions

- Do not open the unit. Refer servicing to qualified personnel only.
- Operate the unit only on 3 V DC with two R20 (size D) batteries.
- Avoid exposure to temperature extremes, direct sunlight, moisture, sand, dust, or mechanical shock. Never leave in a car parked in the sun.
- Should any solid object or liquid fall into the unit, remove the batteries, and have the unit checked by qualified personnel before operating it any further.
- Since a strong magnet is used for the speaker, keep personal credit cards using magnetic coding or spring-wound watches away from the unit to prevent possible damage from the magnet.
- When the casing becomes soiled, clean it with a soft cloth dampened with mild detergent solution. Never use abrasive cleansers or chemical solvents, as they may mar the casing.
- In vehicles or in buildings, radio reception may be difficult or noisy. Try listening near a window.

If you have any questions or problem concerning your unit, please consult the nearest Sony dealer.

Specifications

Frequency range

FM: 87.5 – 108 MHz
AM: 530 – 1 605 kHz

Speaker

Approx. 9.2 cm dia.

Power output

300 mW (max.)

Output

Ⓜ (earphone) jack (ø 3.5 mm mini jack)

Power requirements

3 V DC, two R20 (size D) batteries

Dimensions

Approx. 206 × 131 × 66 mm (w/h/d) incl. projecting parts and controls

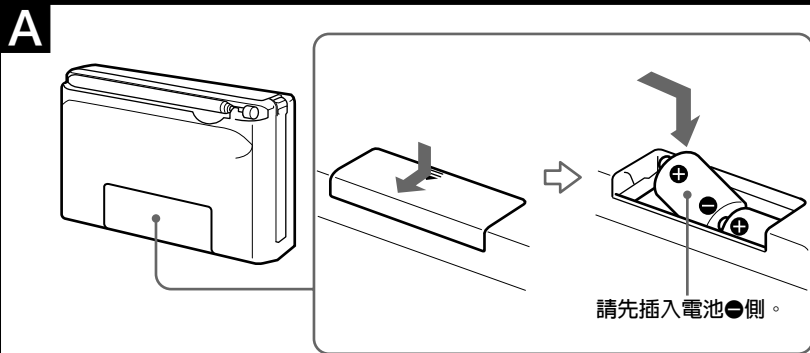
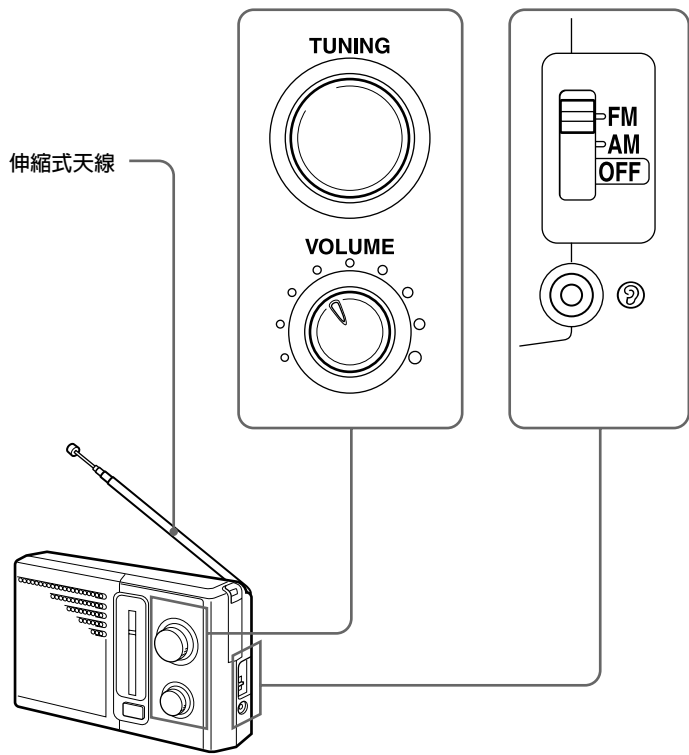
Mass

Approx. 673 g incl. batteries

Supplied accessories

Carrying strap (1)
Operating Instructions (1)

Design and specifications are subject to change without notice.



特點

- 高功率收音機
- 使用兩節R20 (D尺寸) 電池，電力持久。
- 使用隨附攜帶繩，便於攜帶。

安裝電池 (參見圖A)

- 1 打開電池艙蓋。
- 2 以正確的極性插入電池。
- 3 關閉電池艙蓋。

電池使用時間

使用Sony電池R20 (尺寸D)：

FM：約200小時

AM：約220小時

更換電池

當聲音微弱或失真時，請用新電池更換全部電池。

注意事項

當您打算長時間不使用本收音機時，請取出電池，以免因電池漏液和腐蝕而損壞本收音機。

使用收音機

- 1 請將FM/AM/OFF設為“FM”或“AM”。此時會開啓電源。



- 2 使用TUNING調入電台。



- 3 使用VOLUME調節音量。

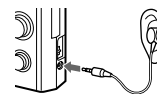


若要關閉收音機

請將FM/AM/OFF設為“OFF”。

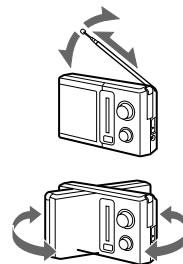
若要用耳機 (不附送) 收聽

當耳機連接至②插孔時，則聽不到揚聲器發出的聲音。



提高接收品質

- FM：拉出伸縮式天線並調整長度與角度以獲得最佳接收品質。
- AM：由於接收品質會受到收音機方向的影響，因此請水平轉動收音機，以獲得最佳接收品質。

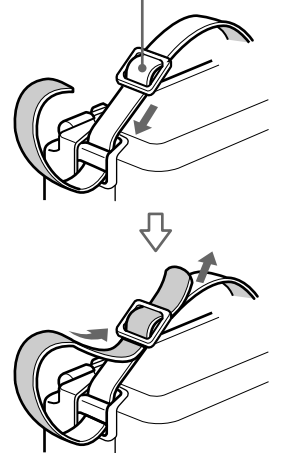


裝上隨附攜帶繩

攜帶本收音機時，請您使用隨附的攜帶繩。

請將攜帶繩穿過收音機兩側的固定桿下方。

請將攜帶繩穿過扣環。



預防措施

- 請勿拆解本收音機。請僅向專業人員尋求維修協助。
- 本收音機只能用兩節R20 (D尺寸) 電池，在3V DC電壓下使用。
- 切勿將本收音機遺留在極高/極低溫處、太陽直射、潮濕、沙灘、多塵或機械振動之處。切勿將本收音機留在受太陽直射的車內。
- 一旦有任何固體異物或液體進入本收音機，請取出電池並將本收音機交由專業人員檢查後方可繼續使用。
- 由於揚聲器使用了強磁鐵，請將使用磁性解碼的個人信用卡或發條式鐘錶等物件遠離本收音機，以避免磁鐵可能遭受損壞。
- 如果外殼弄髒，請用軟布沾中性清潔劑進行清潔。切勿使用擦洗劑或化學溶劑，這些都可能損壞外殼。
- 在車輛或大樓內，收音機接收可能有困難或有干擾。請嘗試靠窗收聽。

如果有關於本收音機的任何疑問或問題，請與附近的Sony銷售商聯絡。

規格

頻率範圍

FM：87.5–108 MHz

AM：530–1 605 kHz

揚聲器

直徑約9.2 cm

功率輸出

300 mW (最大)

輸出

② (耳機) 插孔 (ø 3.5 mm/小型插孔)

電源要求

3 V DC，兩節R20 (D尺寸) 電池

尺寸

約206 × 131 × 66 mm (寬/高/厚) 包括突出部分和控制器

質量

約673 g包括電池

附件

掛繩 (1)

使用說明書 (1)

設計和規格如有變更，恕不另行通知。