

Precautions

- Choose the mounting location carefully so that the unit does not interfere with the normal driving functions of the driver.
- Avoid installing the unit where it would be subject to high temperatures, such as from direct sunlight or hot air from the heater, or where it would be subject to dust, dirt or excessive vibration.
- Use only the supplied mounting hardware for a safe and secure installation.

Mounting angle adjustment

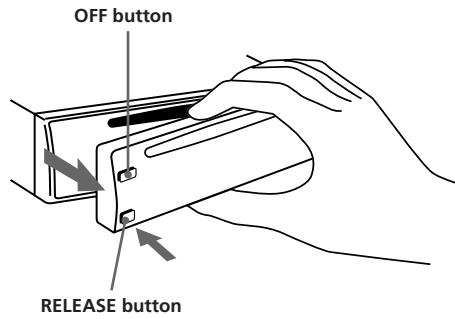
Adjust the mounting angle to less than 20°.

How to Detach and Attach the Front Panel

Before installing the unit, detach the front panel.

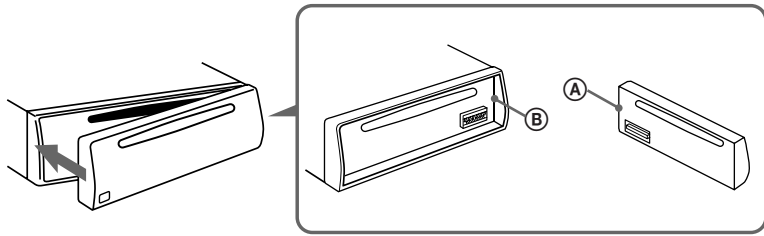
To detach

Before detaching the front panel, be sure to press the OFF button first. Then press the RELEASE button to open up the front panel by pulling it towards you as illustrated.



To attach

Align the parts (A) and (B), and push the front panel until it clicks.



FM/AM Compact Disc Player

Installation/Connections



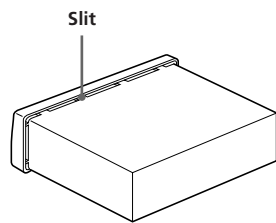
CDX-3107

Sony Corporation © 1996 Printed in South Africa

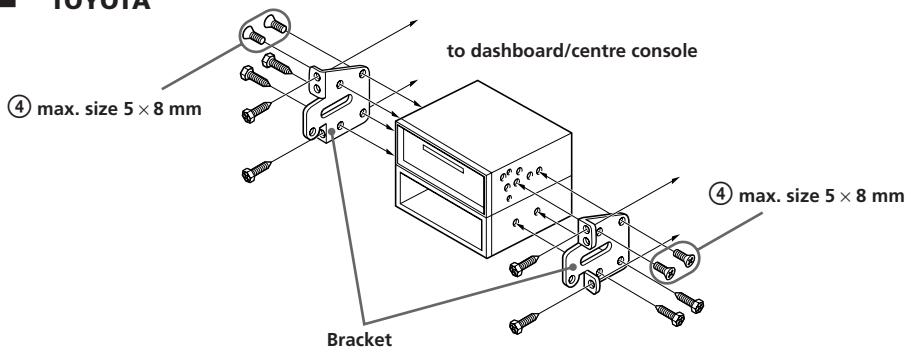
Mounting the Unit in a Japanese Car

You may not be able to install this unit in some makes of Japanese cars. In such a case, consult your Sony dealer.

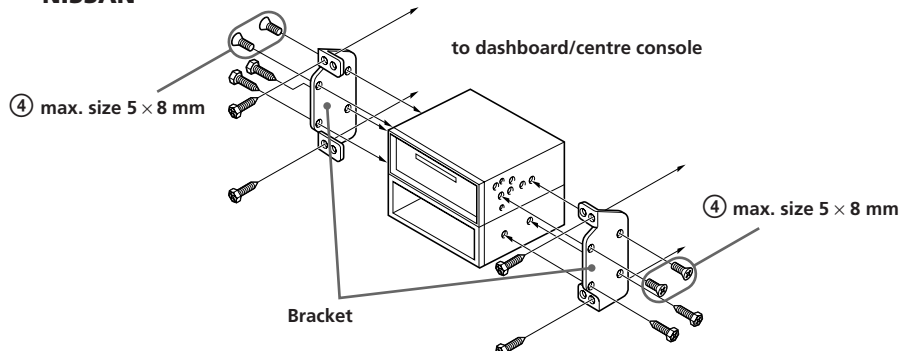
- 1 Run a blade along the slits on the back of the front trim and cut it off the unit.



- 2 TOYOTA



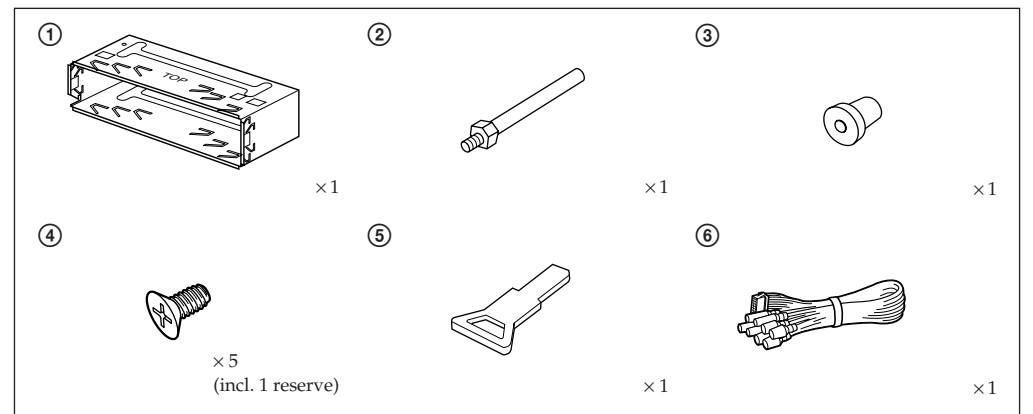
NISSAN



Note
To prevent malfunction, install only with the supplied screws (4) and use existing parts supplied to your car.

Parts for Installation and Connections

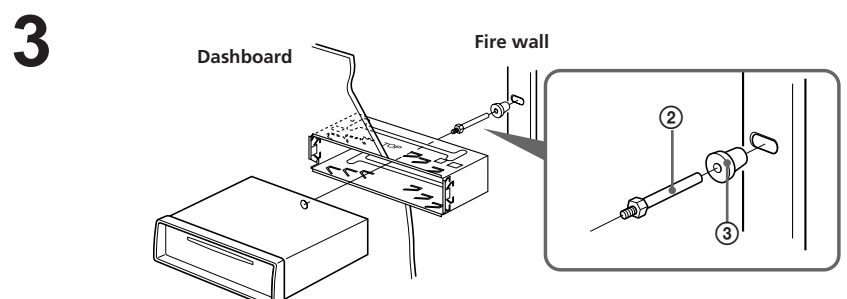
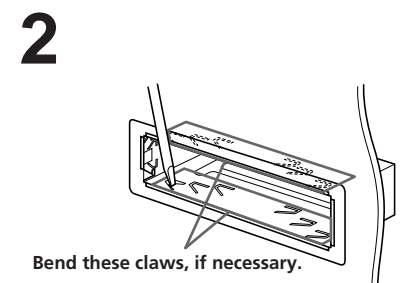
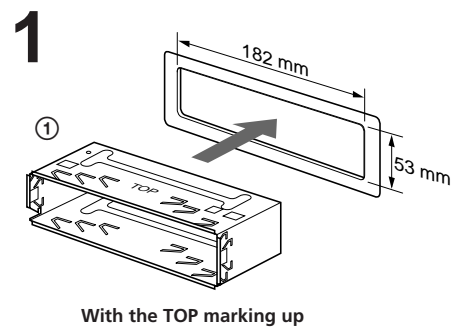
The numbers in the list are keyed to those in the instructions.



The release key (5) is used for dismounting the unit. See the operating instructions manual for details.

Mounting Example

Installation in the dashboard



Connections

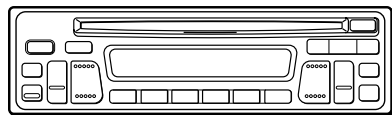
Caution

- This unit is designed for negative earth 12 V DC operation only.
- Before making connections, disconnect the earth terminal of the car battery to avoid short circuits.
- Connect the **yellow** and **red** power input leads only after all other leads have been connected.
- Be sure to connect the red power input lead to the positive 12 V power terminal which is energized when the ignition key is in the accessory position.
- **Run all ground wires to a common earth point.**

Frequency Select Switch

The AM (FM) tuning interval is factory-set to the 9K (50 K) position. If the frequency allocation system of your country is based on 10 kHz (200 kHz) interval, set the switch on the bottom of the unit to the 10 K (200 K) position before making connections.

Change the position with a jeweler's screwdriver, etc.



If Your Car has an Accessory Position on the Ignition Key Switch

— POWER SELECT Switch

To turn the Power Select Function on

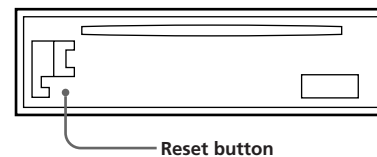
Press the OFF button while pressing the SEL button.

The Power Select Function ties the clock display power to the accessory position on the ignition key switch.

To avoid battery wear, the clock is not displayed while the unit is initializing.

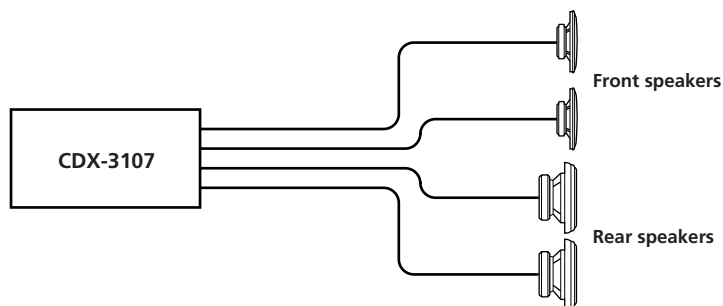
Reset Button

When the installation and connections are over, be sure to press the reset button with a ballpoint pen etc.

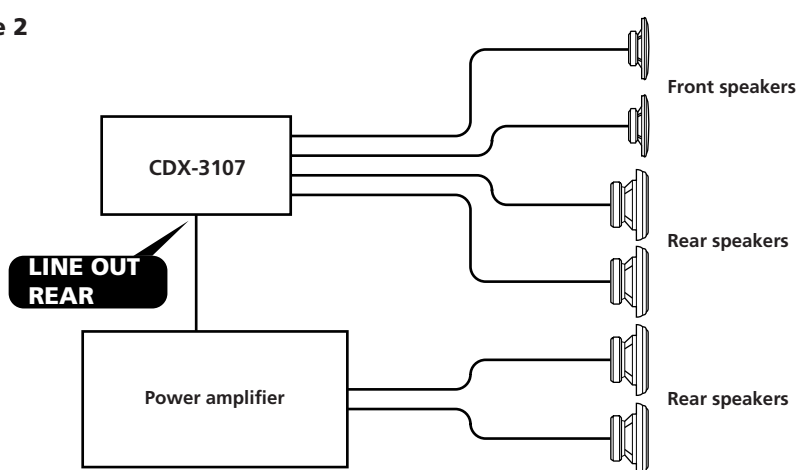


Connection Diagram

Example 1



Example 2



Connection Example

