

SONY[®]

3-858-521-61(1)

CD Radio Cassette-Corder

Operating Instructions



CFD-360

©1996 by Sony Corporation

CFD-360.E_3-858-521-6X.CA2

Warning

To prevent fire or shock hazard, do not expose the player to rain or moisture.

To avoid electrical shock, do not open the cabinet. Refer servicing to qualified personnel only.

CAUTION

The use of optical instruments with this product will increase eye hazard.

For customers in Canada

To prevent electric shock, match wide blade of plug to wide slot, fully insert.

Table of contents

Basic Operations

- 4 Playing a CD
 - 6 Listening to the radio
 - 8 Playing a tape
 - 10 Recording on a tape
-

The CD Player

- 12 Using the display
- 13 Locating a specific point in a track
- 14 Playing tracks repeatedly (Repeat Play)
- 15 Creating your own program (Program Play)

The Radio

- 16 Presetting radio stations
- 17 Playing preset radio stations

The Timer

- 18 Setting the clock
- 19 Waking up to music
- 21 Falling asleep to music

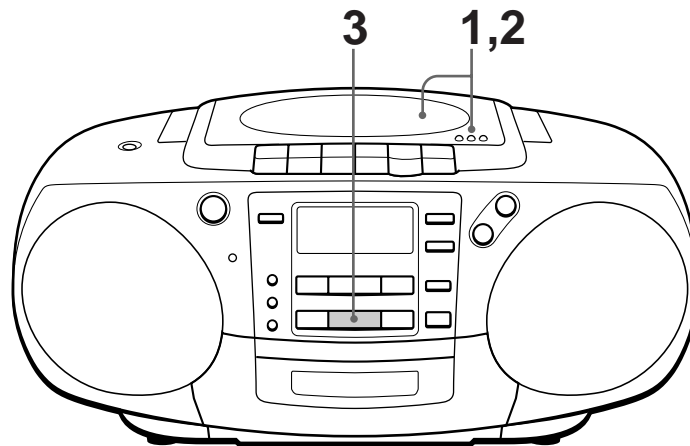
Setting Up

- 22 Choosing the power sources
- 23 Selecting the audio emphasis (Sound Mode/MEGA BASS)

Additional Information

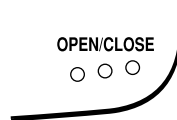
- 24 Precautions
- 26 Troubleshooting
- 28 Maintenance
- 29 Specifications
- 30 Index

Playing a CD

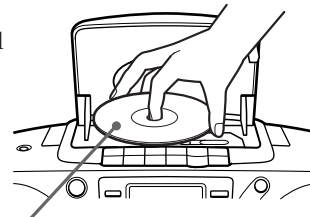


Connect the supplied AC power cord (see page 22).

1

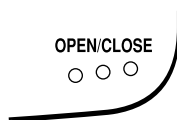


Press OPEN/CLOSE down to open the CD compartment and place the CD on the CD compartment.

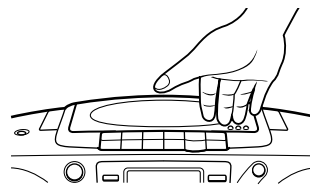


With the label side up

2



Close the lid of the CD compartment.



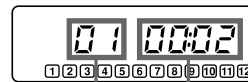
3



Press ▶|| (direct power on).

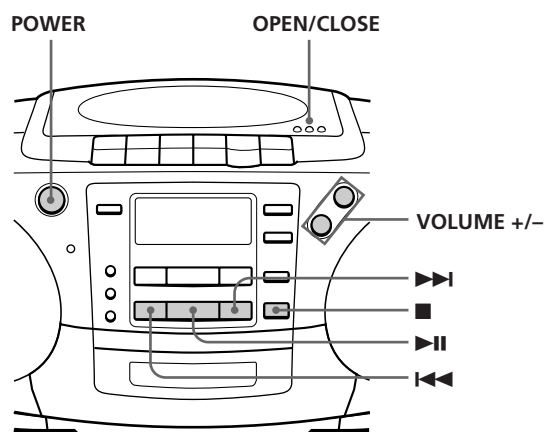
The player plays all the tracks once.

Display



Track number Playing time

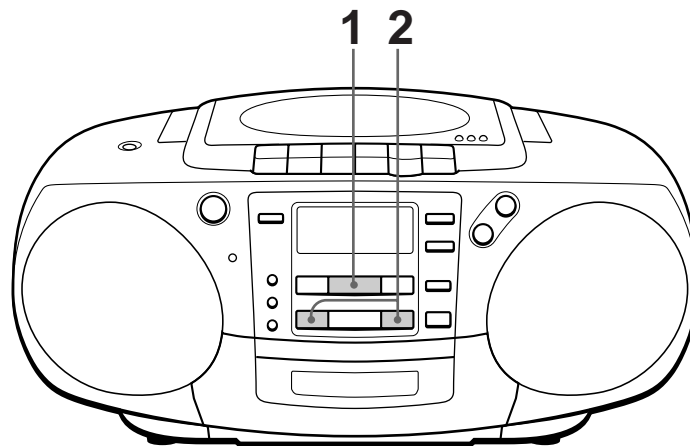
Use these buttons for additional operations



Tip
 Next time you want to listen to a CD, just press ►||. The player turns on automatically and starts playing the CD.

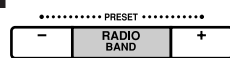
To	Press
Adjust the volume	VOLUME +/-
Stop playback	■
Pause playback	► Press again to resume play after pause.
Go to the next track	►►
Go back to the previous track	◄◄
Remove the CD	OPEN/CLOSE
Turn on/off the player	POWER

Listening to the radio



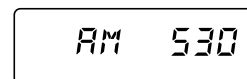
Connect the supplied AC power cord (see page 22).

1



Press BAND until the band you want appears in the display (direct power-on).

Display



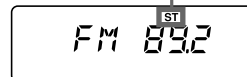
2



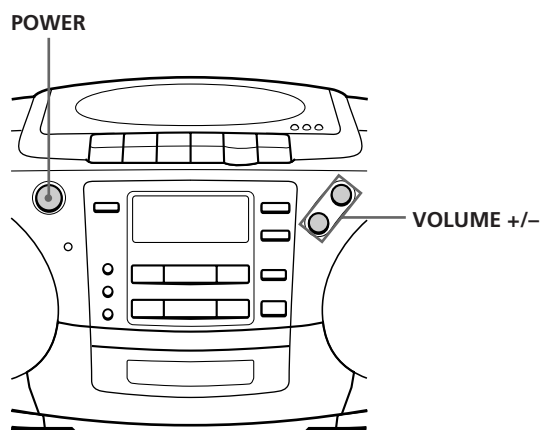
Hold down TUNING/TIME SET +/- until the frequency digits begin to change in the display. The player automatically scans the radio frequencies and stops when it finds a clear station.

If you can't tune in a station, press the button once at a time.

Indicates an FM stereo broadcast.



Use these buttons for additional operations



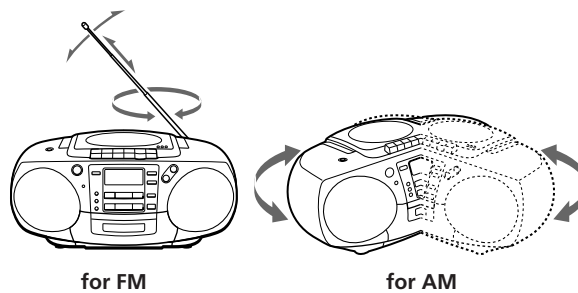
To	Press
Adjust the volume	VOLUME +/-
Turn on/off the radio	POWER

Tips

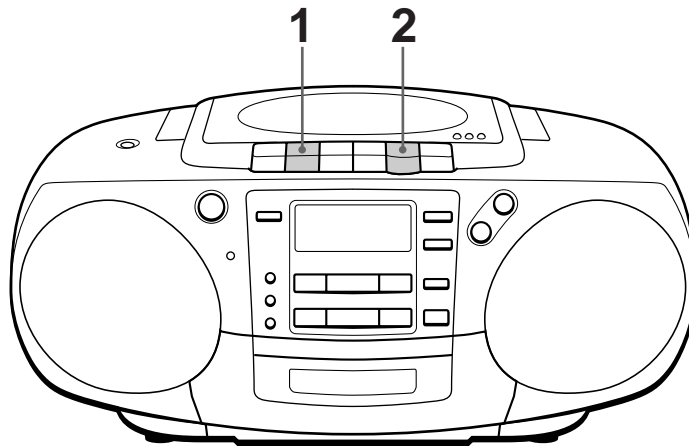
- If the FM broadcast is noisy, press MODE until "Mono" appears in the display and the radio will play in monaural.
- Next time you want to listen to the radio, just press BAND. The player turns on automatically and starts playing the previous station.

To improve broadcast reception

Reorient the antenna for FM. Reorient the player itself for AM.

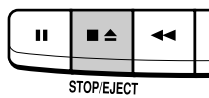


Playing a tape

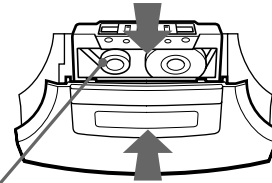


Connect the supplied AC power cord (see page 22).

1

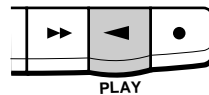


Press ■▲ to open the tape compartment and insert a recorded tape. Use TYPE I (normal) tape only. Close the compartment.



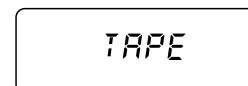
With the side you want to play facing forward

2

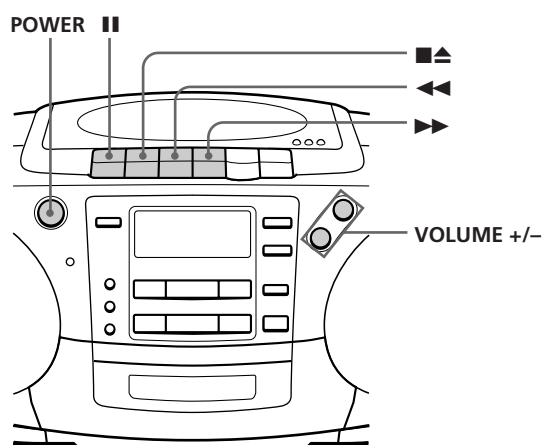


Press ◀.
The player turns on (direct power-on) and starts playing.

Display



Use these buttons for additional operations

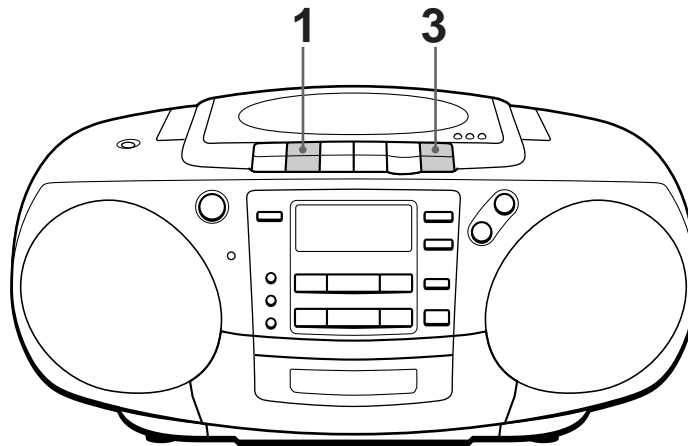


Tip

Next time you want to listen to a tape, just press ◀. The player turns on automatically and starts playing the tape.

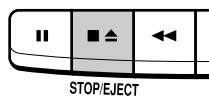
To	Press
Adjust the volume	VOLUME +/-
Stop playback	■▲
Fast-forward or rewind the tape	◀◀ or ▶▶
Pause playback	 Press the button again to resume play after pause.
Eject the cassette	■▲
Turn on/off the player	POWER


Recording on a tape

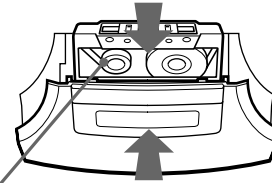


Connect the supplied AC power cord (see page 22).

1



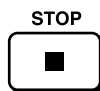
Press  to open the tape compartment and insert a blank tape. Use TYPE I (normal) tape only.




With the side you want to record on facing forward

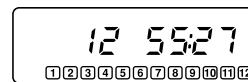
2

Select the program source you want to record.

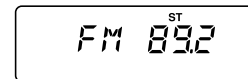


To record from the CD player, insert a CD (see page 4) and press  on the CD section.

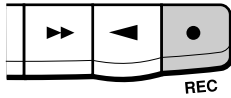
Display



To record from the radio, press BAND and tune in the station you want (see page 6.)



3

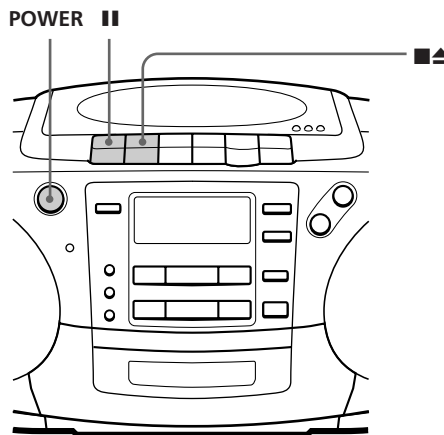


Press ● to start recording.
(◀ is depressed automatically).

Tips

- Adjusting the volume or the audio emphasis (see page 23) will not affect the recording level.
- If the AM program makes a whistling sound after you've pressed ● in step 3, press MODE to select the position that most decreases the noise.
- For the best results, use the AC power as a power source.
- To erase a recording, proceed as follows:
 - 1 Press ◀ and then press ▶. Insert the tape whose recording you want to erase into the tape compartment.
 - 2 Press ●.

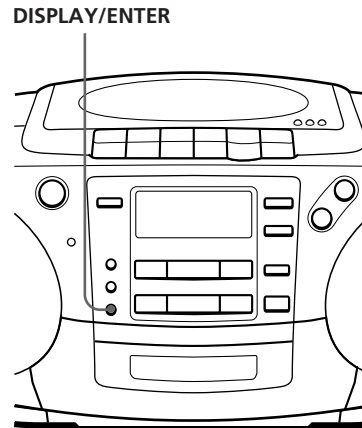
Use these buttons for additional operations



To	Press
Stop recording	▶▲
Pause recording	II Press the button again to resume recording.
Turn on/off the player	POWER

Using the display

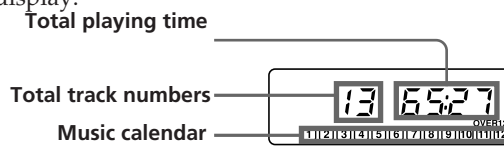
You can check information about the CD using the display.



Checking the total track numbers and playing time

Press DISPLAY/ENTER in stop mode.

If the CD has more than 12 tracks, "OVER 12" appears in the display.



Checking the remaining time

Press DISPLAY/ENTER while playing a CD.

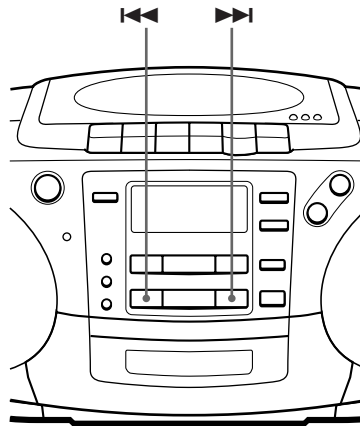
The track numbers in the music calendar disappear after they are played.

To display	Press ENTER/DISP
The current track number and the remaining time on the current track*	Once
Remaining time on the CD and the number of tracks left	Twice
The current track number and playing time	Three times

* For a track whose number is more than 20 the remaining time appears as "--:--".

Locating a specific point in a track

You can locate a specific point in a track while playing a CD using **▶▶** or **◀◀**.



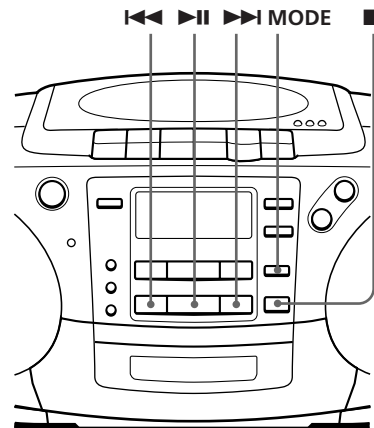
The CD Player

To locate	Press
a point while listening to the sound	▶▶ (forward) or ◀◀ (backward) while playing and hold down until you find the point.
a point while observing the display	▶▶ (forward) or ◀◀ (backward) in pause and hold down until you find the point.

Playing tracks repeatedly

(Repeat Play)

You can play tracks repeatedly in normal, shuffle or program play modes (see page 15).



- 1 Press ■.
"Cd" appears in the display.
- 2 Press MODE until the repeat mode you want appears in the display.

To repeat	Select
a single track	REP 1
all the tracks	REP ALL
tracks in random order	SHUF REP
programed tracks	PGM REP and then program tracks (see step 3 on page 15).

- 3 Do either of the following to start repeat play:
 - **When you've selected REP1**, select the track by pressing ◀◀ or ▶▶ and press ▶▶.
 - **When you've selected REP ALL, SHUF REP or PGM REP**, press ▶▶.

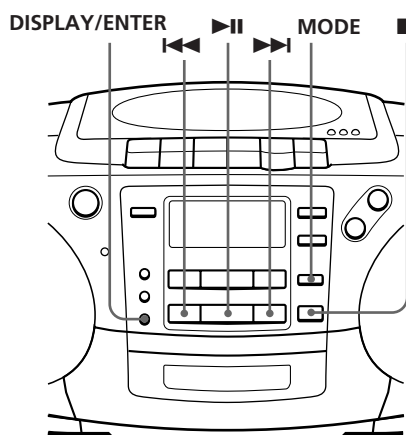
To cancel Repeat Play

Press MODE until "REP" disappears in the display.

Creating your own program

(Program Play)

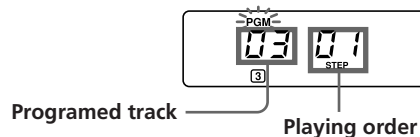
You can make a program of up to 20 tracks in the order you want them to be played.



Tips

- You can play the same program again, since the program is saved until you open the CD compartment.
- You can record your own program. After you've created the program, insert a blank tape into the tape compartment and press ● to start recording.

- 1 Press ■. "Cd" appears in the display.
- 2 Press MODE until "PGM" appears in the display.
- 3 Press ◀◀ or ▶▶ and press DISPLAY/ENTER for the tracks you want to program in the order you want. You can program up to 20 tracks.



- 4 Press ▶▶ to start program play.

To cancel Program Play

Press MODE until "PGM" disappears in the display.

To check the order of tracks before play

Press DISPLAY/ENTER.

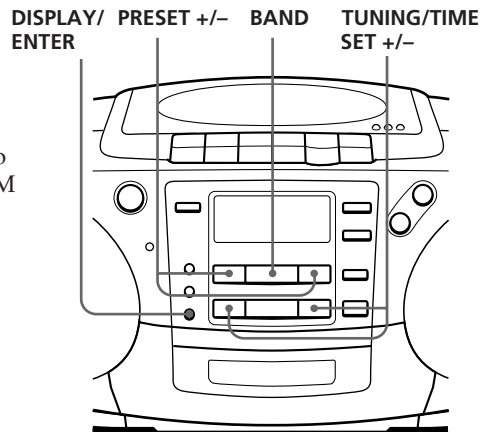
Every time you press the button, the track number appears in the programmed order.

To change the current program

Press ■ once if the CD is stopped and twice if the CD is playing. The current program will be erased. Then create a new program following the programming procedure.

Presetting radio stations

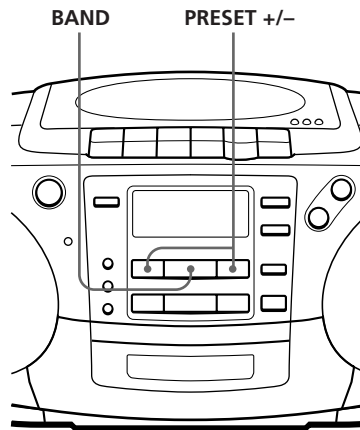
You can store radio stations into the player's memory. You can preset up to 20 radio stations, 10 for each FM or AM in any order.



- 1** Press BAND until the band you want appears in the display.
- 2** Tune in a station you want.
- 3** Hold down DISPLAY/ENTER for about 2 seconds.
- 4** Press PRESET +/- until the preset number (1 to 10) you want for the station flashes in the music calendar.
- 5** Press DISPLAY/ENTER again.
The new station replaces the old one.

Playing preset radio stations

Once you've preset the stations, use the number buttons to tune in your favorite stations.

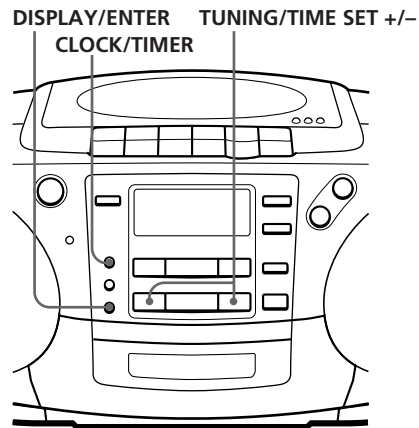


- 1** Press BAND to select the band.
- 2** Press PRESET +/- to tune in a stored station.

Setting the clock

Before you set the clock, insert four size AA (R6) batteries and connect the AC power cord (see page 22.)

Before you set the clock, "AM 12:00" flashes.



1 Press CLOCK/TIMER until "CLOCK" appears in the display.

2 Press CLOCK/TIMER for about 2 seconds until the hour digit flash.

The "AM" or "PM" indication also flashes.

3 Press TUNING/TIME SET +/- until you set the current hour. Then press DISPLAY/ENTER.

The minute digits flash. Set the minutes by pressing TUNING/TIME SET +/- until the correct minute is displayed.

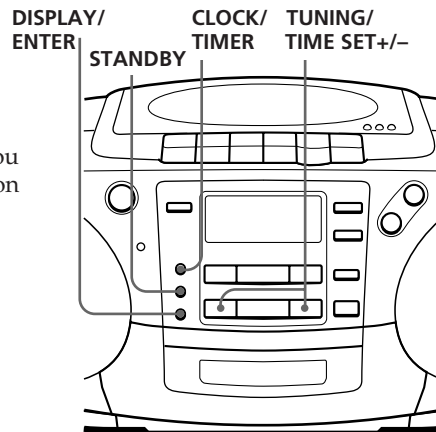


4 Press DISPLAY/ENTER.

The clock starts from 00 seconds.

Waking up to music

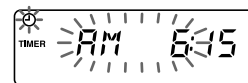
You can wake up to music or a radio program at a preset time. Make sure you have set the clock (“Setting the clock” on page 18).



- 1 Prepare the music source you want to play.

To play	Do this
the radio	Tune in a station
a CD	Insert a CD.

- 2 Press CLOCK/TIMER until “TIMER” appears in the display.
- 3 Press CLOCK/TIMER for about 2 seconds. The \ominus (clock) and the music source (“Cd” or “RAdiO”) flash.
- 4 Select the music source (“Cd” or “RAdiO”) by pressing TUNING/TIME SET +/-, then DISPLAY/ENTER.
- 5 Set the timer to the hour you want the music to start by pressing TUNING/TIME SET +/- then DISPLAY/ENTER.



Set the minutes, then press DISPLAY/ENTER.

- 6 Press TUNING/TIME SET +/- to set the volume, then DISPLAY/ENTER.

continued

Waking up to music (continued)

Tip

You can have the player go on the next day at the same time. Just press STANDBY until the ☹ indication appears in the display. The preset settings remain until you reset them.

Note

"TIMER" disappears from the display and the timer mode is canceled if you press ◀ button of the tape player while music plays in the timer mode.

7 Press STANDBY.

The ☹ indication lights up and the power goes off.

At the preset time, the power will go on, "TIMER" appears in the display and music will play, and will shut off automatically after about 60 minutes.

To check/change when the playback will start

Press CLOCK/TIMER, then DISPLAY/ENTER. Each time you press DISPLAY/ENTER, a stored setting lights up. Change the setting if you need to when the setting lights up. When you finish checking, press CLOCK/TIMER again.

To use the player before a timer playback starts

Just turn on the player, and then you can use it.

If you turn off the player before the preset time, timer playback will start at the preset time.

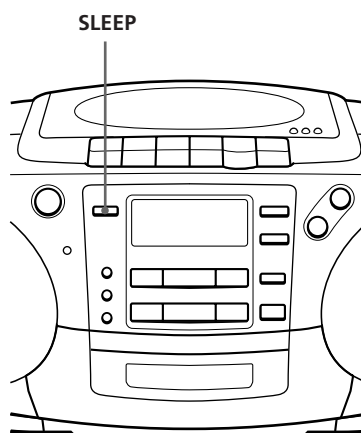
In case of the radio, however, if you listen to the station which is different from the one you tuned in in step 1 on page 19, you will hear that station at the preset time. Make sure to tune in the station you want to listen to before you turn off the player.

To stop play

Press POWER.

Falling asleep to music

You can set the player to turn off automatically after about 60 minutes, allowing you to fall asleep while listening to music.



The Timer

Tips

- When you are playing a tape with more than 60 minutes of play time, the player may play for longer than 60 minutes until it reaches to the end of the tape side.
- When you are playing radio or CD, make sure that ◀ of the tape player is not depressed.
- You can fall asleep and wake up to different music. First, set the wake up timer by the following steps in "Waking up to music" on page 19. Then, turn the power on and follow the steps on this page to set the sleep timer. When you are listening to the radio, make sure to tune in the station you want to wake up to.

1 Play the music source you want.

2 Press SLEEP.

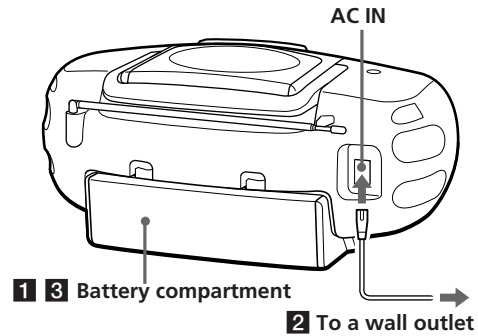
"SLEEP" appears in the display. The player shuts off automatically after about 60 minutes.

To cancel the sleep function

Press SLEEP again to turn off the power.

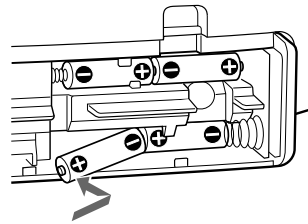
Choosing the power sources

You can use the AC power or batteries as a power source.



1 Inserting the back-up batteries

Insert four size AA (R6) batteries (not supplied) into the battery compartment. These batteries work to save the memory data.



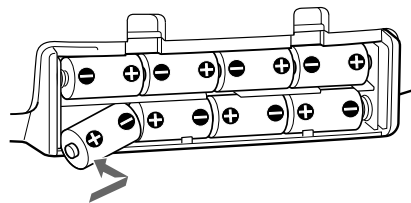
2 Connecting the AC power cord

Insert one end of the supplied AC power cord to the AC IN socket located at the rear of the player, and the other end to the wall outlet.

3 Using the player on batteries

Insert eight size C (R14) batteries (not supplied) into the battery compartment.

To use the player on batteries, disconnect the AC power cord from the player.

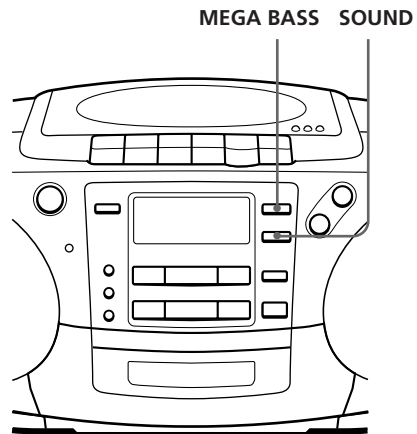


Tip

Replace the batteries when the OPR/BATT indicator dims or when the player stops operating. Replace all the batteries with new ones. Before you replace the batteries, be sure to take out the CD from the player.

Selecting the audio emphasis (Sound Mode/MEGA BASS)

You can adjust the audio emphasis of the sound you are listening to.



Selecting the sound characteristic

Press SOUND to select the audio emphasis you want.

Choose	To get
	powerful, clean sounds, emphasizing low and high range audio
	light, bright sounds emphasizing high and middle range audio
	the presence of vocals, stressing middle range audio
	the whole dynamic range for music such as classical music
	percussive sounds, emphasizing bass audio

Reinforcing the bass sound

Press MEGA BASS.

"MEGA BASS" appears in the display. To return to normal sound, press the button again.

Precautions

On safety

- As the laser beam used in the CD player section is harmful to the eyes, do not attempt to disassemble the casing. Refer servicing to qualified personnel only.
- Should any solid object or liquid fall into the player, unplug the player, and have it checked by qualified personnel before operating it any further.

On power sources

- For AC operation use the supplied AC power cord; do not use any other type.
- The player is not disconnected from the AC power source (mains) as long as it is connected to the wall outlet, even if the player itself has been turned off.
- Unplug the player from the wall outlet when it is not to be used for an extended period of time.
- For battery operation, use eight size C (R14) batteries.
- When the batteries are not to be used, remove them to avoid damage that can be caused by battery leakage or corrosion.
- The nameplate indicating operating voltage, power consumption, etc. is located at the bottom.

On placement

- Do not leave the player in a location near heat sources, or in a place subject to direct sunlight, excessive dust or mechanical shock.
- Do not place the player on an inclined or unstable place.
- Do not place anything within 10 mm of the side of the cabinet. The ventilation holes must be unobstructed for the player to operate properly and prolong the life of its components.
- If the player is left in a car parked in the sun, be sure to choose a location in the car where the player will not be subjected to the direct rays of the sun.
- Since a strong magnet is used for the speakers, keep personal credit cards using magnetic coding or spring-wound watches away from the player to prevent possible damage from the magnet.

On operation

- If the player is brought directly from a cold to a warm location, or is placed in a very damp room, moisture may condense on the lens inside the CD player section. Should this occur, the player will not operate properly. In this case, remove the CD and wait about an hour for the moisture to evaporate.
- If the player has not been used for a long time, set it in the playback mode to warm it up for a few minutes before inserting a cassette.

If you have any questions or problems concerning your player, please consult your nearest Sony dealer.

Notes on CDs

- Before playing, clean the CD with a cleaning cloth. Wipe the CD from the center out.

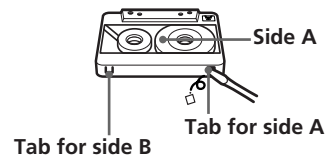


- Do not use solvents such as benzine, thinner, commercially available cleaners or anti-static spray intended for vinyl LPs.
- Do not expose the CD to direct sunlight or heat sources such as hot air ducts, nor leave it in a car parked in direct sunlight as there can be a considerable rise in temperature inside the car.
- Do not stick paper or sticker on the CD, nor scratch the surface of the CD.
- After playing, store the CD in its case.

If there is a scratch, dirt or fingerprints on the CD, it may cause tracking error.

Notes on cassettes

- Break off the cassette tab from side A or B to prevent accidental recording. If you want to reuse the tape for recording, cover the broken tab with adhesive tape.



- To record on a tape with its tab broken off, cover the respective tab hole for side A or B with adhesive tape.
- The use of a cassette with more than 90 minutes of play time is not recommended except for long, continuous recording or playback.

Troubleshooting

	Symptom	Remedy
General	The power is not on.	<ul style="list-style-type: none"> • Connect the AC power cord to a wall outlet securely. • Make sure the batteries are inserted correctly. • You cannot turn on the player with the remote when you operate the player on batteries.
	There is no audio.	<ul style="list-style-type: none"> • Make sure the function you want to use appears in the display window. • Adjust the volume. • Unplug the headphones when listening through speakers.
	"no disc" lights in the display even when a CD is in place.	<ul style="list-style-type: none"> • Insert the CD with the label surface up.
CD Player	The CD does not play.	<ul style="list-style-type: none"> • Make sure that the CD compartment is closed. • Place the CD with the label surface up. • Clean the CD. • Take out the CD and leave the CD compartment open for about an hour to dry moisture condensation. • Make sure "Cd" appears in the display.
	The sound drops out.	<ul style="list-style-type: none"> • Reduce the volume. • Clean the CD, or replace it if the CD is badly damaged • Place the player in a location free from vibration.
	The audio is weak or has poor quality.	<ul style="list-style-type: none"> • Replace all the batteries with new ones if they are weak. • Move the player away from the TV. • If you are using the remote while listening to AM radio, noise may be heard. This is unavoidable.
Radio	The picture of your TV becomes unstable.	<ul style="list-style-type: none"> • If you are listening to an FM program near the TV with an indoor antenna, move the player away from the TV.

	Symptom	Remedy
Tape Player	The tape does not move when you press an operation button.	<ul style="list-style-type: none"> • Close the cassette compartment securely.
	The REC ● button does not function/The tape does not play.	<ul style="list-style-type: none"> • Make sure the safety tab on the cassette is in place. • Make sure "TAPE" appears in the display.
	The tape does not erase completely.	<ul style="list-style-type: none"> • Clean the erasing heads (see page 28.) • Replace all the batteries with new ones if they are weak.
	The tape does not record.	<ul style="list-style-type: none"> • Make sure the tape is inserted properly. • Make sure the safety tab of the cassette is in place.
	The audio is weak/The audio quality is poor.	<ul style="list-style-type: none"> • Clean the heads, pinch roller and capstan (see page 28). • Demagnetize the heads using a demagnetizer (see page 28).
	The sound is distorted.	<ul style="list-style-type: none"> • The TYPE II (high position) or TYPE IV (metal) tape is being used. Use TYPE I (normal) tape only.
Timer	The timer does not operate.	<ul style="list-style-type: none"> • Make sure the time on the clock is correct. • Check to see if the AC power had been cut off. • Make sure the ⌚ (clock) indication is displayed.

After trying the above remedies, if the player still does not function properly, unplug the AC power cord and batteries. After all the indications in the display disappear, plug the power cord and insert the batteries again. If the problem persists, please consult your nearest Sony dealer.

Maintenance

Cleaning the lens

If the lens becomes dirty, it may cause a skipping of sound during CD operation. Clean with a commercially available blower.

Cleaning the tape heads and tape path

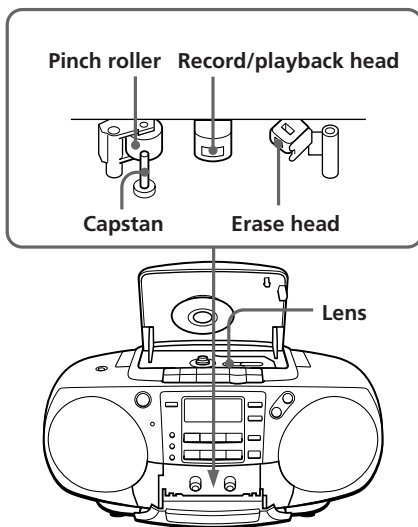
Wipe the heads, the pinch roller and the capstan with a cleaning swab slightly moistened with cleaning fluid or alcohol after every 10 hours of operation for optimum playback and recording quality. To make the best possible recording, however, we recommend that you clean all surfaces over which tape travels before each recording.

Demagnetizing the tape heads

After 20 to 30 hours of use, enough residual magnetism will have built up on the tape heads to begin to cause loss of high frequency sound and hiss. At this time, you should demagnetize the heads and all metal parts in the tape path with a commercially available tape head demagnetizer.

Cleaning the cabinet

Clean the cabinet, panel and controls with a soft cloth slightly moistened with a mild detergent solution. Do not use any type of abrasive pad, scouring powder, or solvent, such as alcohol or benzine.



After cleaning, insert a tape when the areas cleaned are completely dry.

Specifications

CD player section

- System
 - Compact disc digital audio system
- Laser diode properties
 - Material: GaAlAs
 - Wave length: 780 nm
 - Emission duration: Continuous
 - Laser output: Less than 44.6 μ W
(This output is the value measured at a distance of about 200 mm from the objective lens surface on the optical pick-up block with 7 mm aperture.)
- Spindle speed
 - 200 r/min (rpm) to 500 r/min (rpm) (CLV)
- Number of channels
 - 2
- Frequency response
 - 20 - 20,000 Hz +1/-1 dB
- Wow and flutter
 - Below measurable limit

Radio section

- Frequency range
 - FM: 87.6 - 108 MHz
 - AM: 530 - 1,710 kHz
- Aerials
 - FM: Telescopic aerial
 - AM: Built-in ferrite bar aerial

Cassette-corder section

- Recording system
 - 4-track 2 channel stereo
- Fast winding time
 - Approx. 120 s (sec.) with Sony cassette C-60
- Frequency response
 - TYPE I (normal): 80 - 10,000 Hz

General

- Speaker
 - Full range: 10 cm (4 in.) dia., 3.0 ohms, cone type (2)
- Outputs
 - Headphones jack (stereo minijack)
For 16 - 68 ohms impedance headphones
- Power output
 - 4.5 W + 4.5 W (at 3.0 ohm, 10 % harmonic distortion)
- Power requirements
 - For CD radio cassette-corder
 - 120 V AC, 60 Hz
 - 12 V DC, 8 size C (R14) batteries
 - For memory back-up:
 - 6 V DC, 4 size AA (R6) batteries
- Power consumption
 - AC 25 W
- Battery life
 - For CD radio cassette-corder

FM recording

Sony R14P: approx. 6.5 h

Sony alkaline LR14: approx. 12 h

Tape playback

Sony R14P: approx. 3 h

Sony alkaline LR14: approx. 6 h

CD playback

Sony R14P: approx. 1.5 h

Sony alkaline LR14: approx. 3 h

Dimensions

Approx. 400 × 175 × 240 mm (w/h/d)
(15 ¾ × 7 × 9 ½ inches)(incl. projecting parts)

Mass

Approx. 3.9 kg (8 lb. 10 oz) (incl. batteries)

Supplied accessories

AC power cord (1)

Design and specifications are subject to change without notice.

Optional accessories

Sony MDR headphones series

Index

A

Audio emphasis 23

B

Batteries

for player 22

for memory back-up 22

C

CD player 12

Choosing power sources
22

Cleaning

cabinet 28

lens 28

tape heads and tape
path 28

Connecting AC power
cord 22

Creating your own
program 15

D, E, F, G, H

Demagnetizing the tape
heads 28

Display 12

I, J, K

Improving broadcast
reception 7

L

Listening to the radio 6

Locating a specific point
in a track 13

M, N, O

MEGA BASS 23

P, Q

Playing

a CD 4

a tape 8

preset radio stations 17

tracks repeatedly 14

Power sources 22

Presetting radio stations
16

Program Play 15

R

Radio stations

playing 17

presetting 16

Recording on a tape 10

Repeat Play 14

S

Selecting

audio emphasis 23

tracks 5

Setting the clock 18

Setting up 22

SOUND 23

T

Timer

Falling asleep to music
21

Waking up to music 19

Troubleshooting 26

U, V, W, X, Y, Z

Using the display 12



Sony Corporation Printed in Malaysia

CFD-360.E_3-858-521-6X.CA2