

Precautions

- Operate the system only on 6 V DC (four size AA (R6) batteries) or 9 V DC (supplied AC power adaptor).
For AC operation, use only supplied AC power adaptor. Do not use any other AC power adaptor.
- After operating the system with the AC power adaptor, disconnect the AC power adaptor from the wall outlet if the system is not to be used for an extended period of time. The POWER switch on the system does not turn the AC power adaptor off.
- If the system is not to be used for a long period of time or is to be operated extensively on AC power, remove the batteries to avoid damage caused by battery leakage and corrosion.
- Do not open the cabinet. Refer servicing to qualified personnel only.
- Do not leave the system in a location near heat sources, or in a place subject to direct sunlight, excessive dust, moisture, rain or mechanical shock.
- Should any solid object or liquid fall into the system, remove the batteries and have the system checked by qualified personnel before operating it any further.
- Do not use alcohol, benzene or thinner to clean the cabinet.
- Although this system is magnetically shielded, do not leave recorded tapes, watches, personal credit cards or floppy disks using magnetic coding in front of the system for an extended period of time.

Specifications

Amplifier section

Power output 2 W + 2 W < 10 % THD, 500 Hz - 1 kHz,
8 ohms
Input impedance 4.7 kilohms (at 1 kHz)

Speaker section

System Full-range, 57 mm dia. (2 1/4 in.), bass
reflex enclosure (magnetically shielded)
Nominal impedance 8 ohms (OFF/DIRECT)
Rated input power 2 W (OFF/DIRECT)

General

Power requirement DC 9 V, four size AA (R6) batteries (left
speaker only)
Battery life (at 5 mW + 5 mW output)
Approx. 15 hours with Sony batteries
R6
Approx. 30 hours with Sony alkaline
batteries LR6
Input cord Left speaker: Stereo mini plug (1.0 m)
Right speaker: monaural mini plug
(1.0 m)

If the TV picture or monitor display is magnetically distorted

Although this system is magnetically shielded, there may be cases that the picture on some TV sets/
personal computer sets may become magnetically distorted. In such a case, turn off the power of the TV set/
personal computer set once, and after 15 to 30 minutes turn it on again. For the personal computer set, take the appropriate measures such as data storage before turning it off.

When there seems to be no improvement,

locate the system further away from the TV set/
personal computer set. Furthermore, be sure not to place objects in which magnets are attached or used near the TV set/
personal computer set, such as audio racks, TV stands, toys etc. These may cause magnetic distortion to the picture due to their interaction with the system.

If you have any questions or problems concerning your system that are not covered in this manual, please consult your nearest Sony dealer.

SONY

3-860-269-22 (1)

Active Speaker System

Operating Instructions

Before operating the unit, please read this manual thoroughly and retain it for future reference.

SRS-A33

Sony Corporation © 1997 Printed in Philippines

WARNING

To prevent fire or shock hazard, do not expose the unit to rain or moisture.

Features

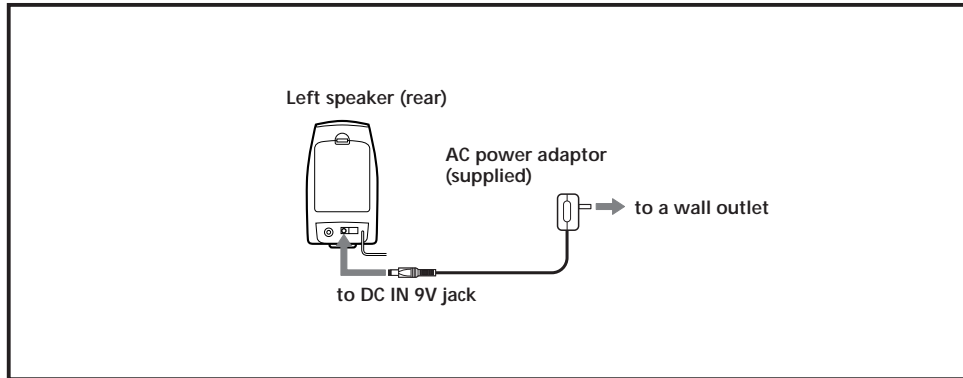
The Sony SRS-A33 is a compact-size speaker system with a built-in power amplifier designed for the use with a Discman, WALKMAN*, headphone stereo, etc.

- The magnetically shielded speakers have little effect on a PC monitor or recorded tapes, etc. when placed close to them.
- Power output of 2 W + 2 W.

* WALKMAN is a registered trademark of Sony Corporation.

Power Sources

Using on house current



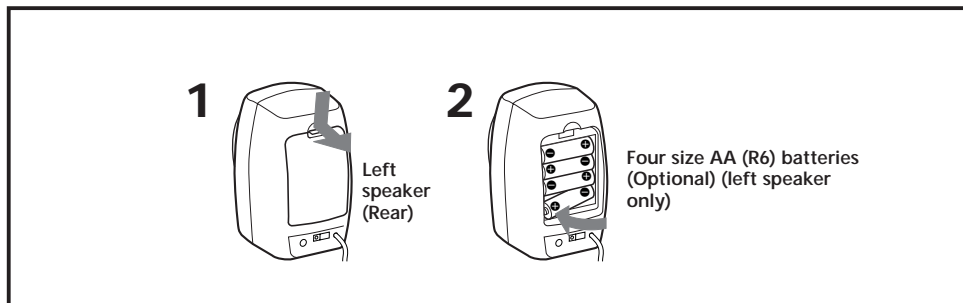
When the AC power adaptor is connected to the system, internal batteries are automatically disconnected.

Note on the AC power adaptor

Use only the supplied AC power adaptor. Do not use any other AC power adaptor.



Battery installation



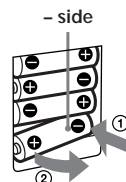
Battery Replacement

When the batteries are weak, the POWER indicator will start flickering and become faint, or the playback sound will be distorted or unstable.

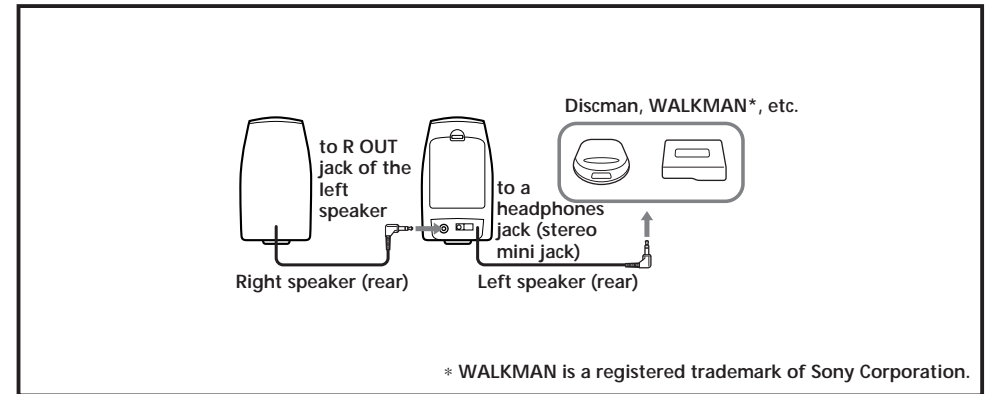
In such a case, replace all the batteries with new ones. For battery life, see "Specifications".

Note

Remove the batteries as illustrated.



Connections

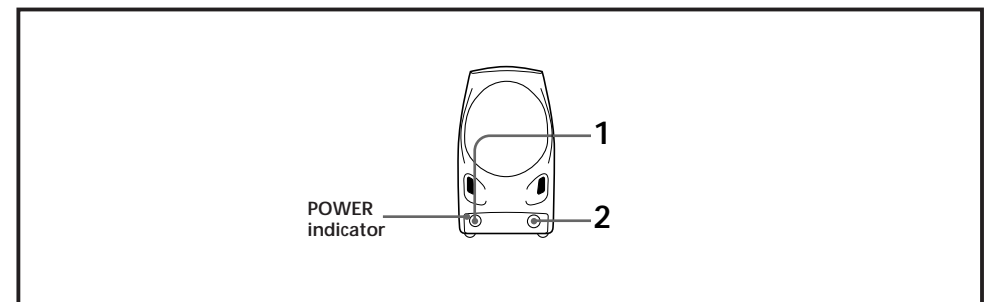


Connect the left speaker to the source equipment.

When the system is connected to a monaural jack of a radio, etc., the sound may only come through the left speaker. In such a case, use the optional Sony plug adaptor PC-236HG. The sound will come through both speakers.

To connect the left speaker to a stereo phone-type headphones jack, use the optional PC-234HG plug adaptor or RK-G138HG connecting cord.

How to Use



Listening to the sound through the built-in amplifier

Turn off the MEGA BASS (Walkman) or BASS BOOST (Discman, etc.) function as it may cause sound distortion.

- 1 Set the POWER switch (ON). The POWER indicator lights up.
- 2 Adjust the VOLUME control.

To listen to the sound without the built-in amplifier, set the POWER switch to OFF/DIRECT.

After listening, set the POWER switch to OFF/DIRECT. The POWER indicator goes off.