

Precautions

- Choose the mounting location carefully so that the unit will not interfere with the normal driving functions of the driver.
- Avoid installing the unit where it would be subject to high temperatures, such as from direct sunlight or hot air from the heater, or where it would be subject to dust, dirt or excessive vibration.
- Use only the supplied mounting hardware for a safe and secure installation.

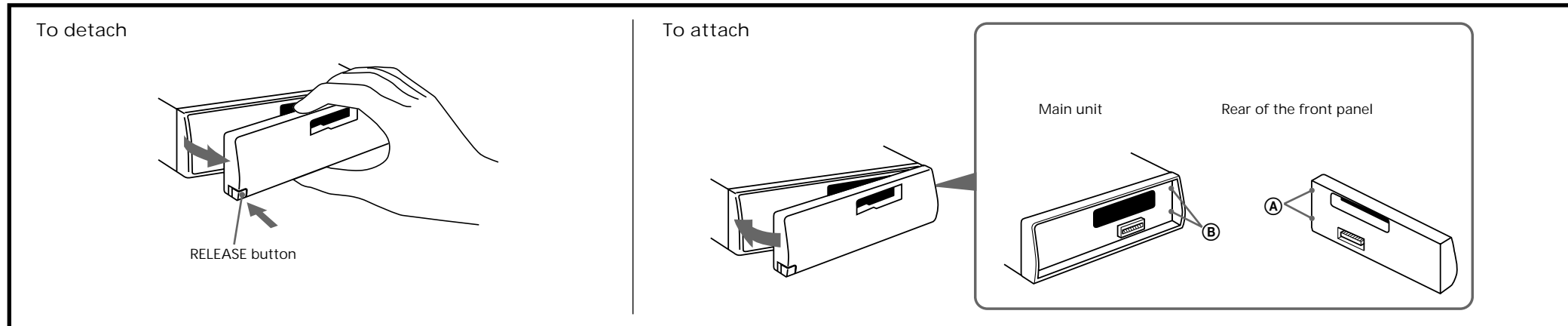
Mounting angle adjustment
Adjust the mounting angle to less than 20°.

How to Detach and Attach the Front Panel

Be sure to detach the front panel before you start installing the unit.

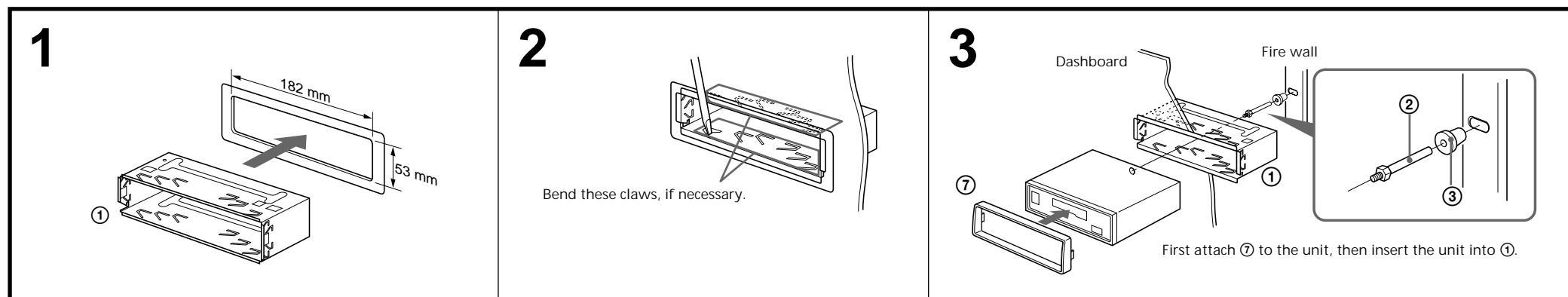
To detach
Press the RELEASE button to open up the front panel, and pull it out.

To attach
Align the parts (A) and (B), and push the front panel until it clicks.



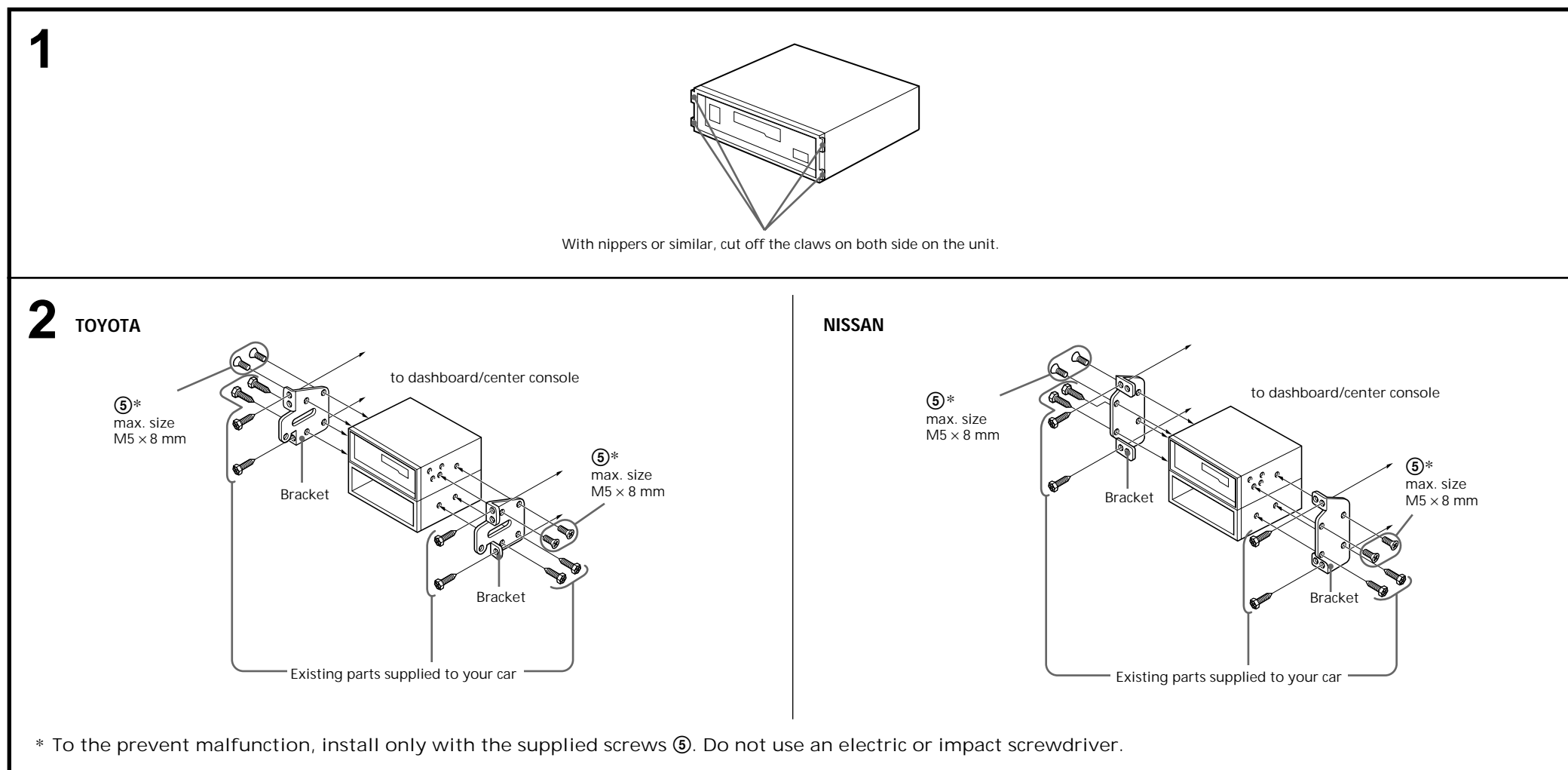
Mounting Example

Installation in the dashboard



Mounting the Unit in a Japanese Car

You may not be able to install this unit in some makes of Japanese cars. In such a case, consult your Sony dealer.



* To prevent malfunction, install only with the supplied screws (5). Do not use an electric or impact screwdriver.

FM/AM Cassette Car Stereo

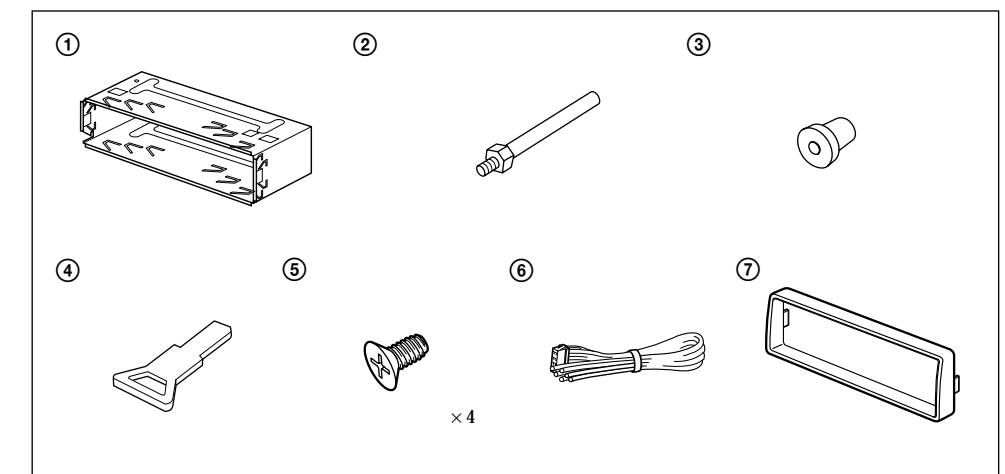
Installation/Connections

XR-1807

Sony Corporation ©1998 Printed in India

Parts for Installation and Connections

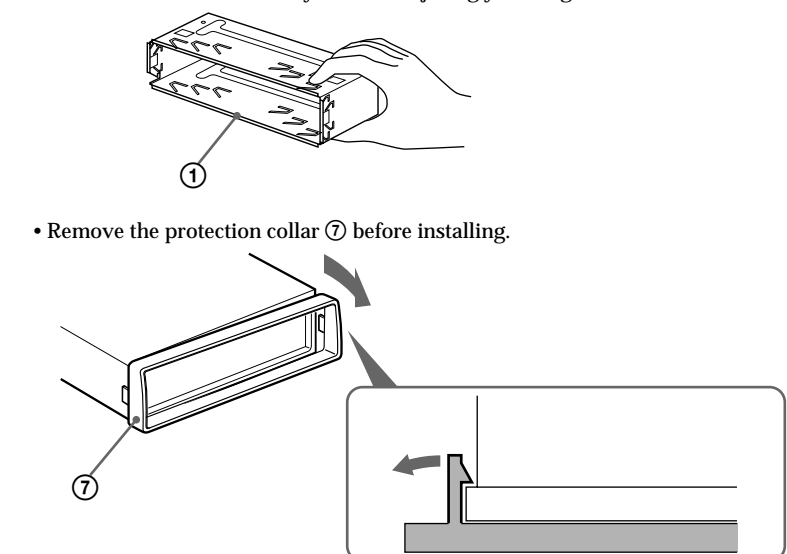
The numbers in the list are keyed to those in the instructions.



The release key (4) is used for dismounting the unit. See the operating instructions manual for details.

Caution

- Cautionary notice for handling the bracket (1). Handle the bracket carefully to avoid injuring your fingers.



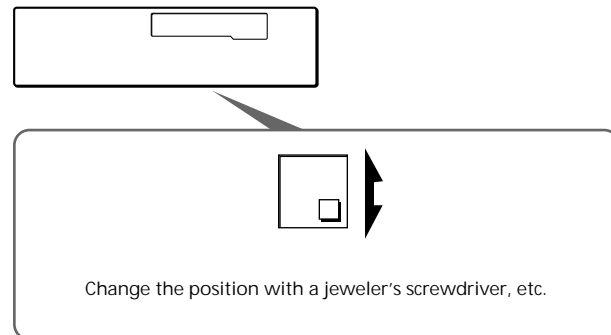
Connections

Caution

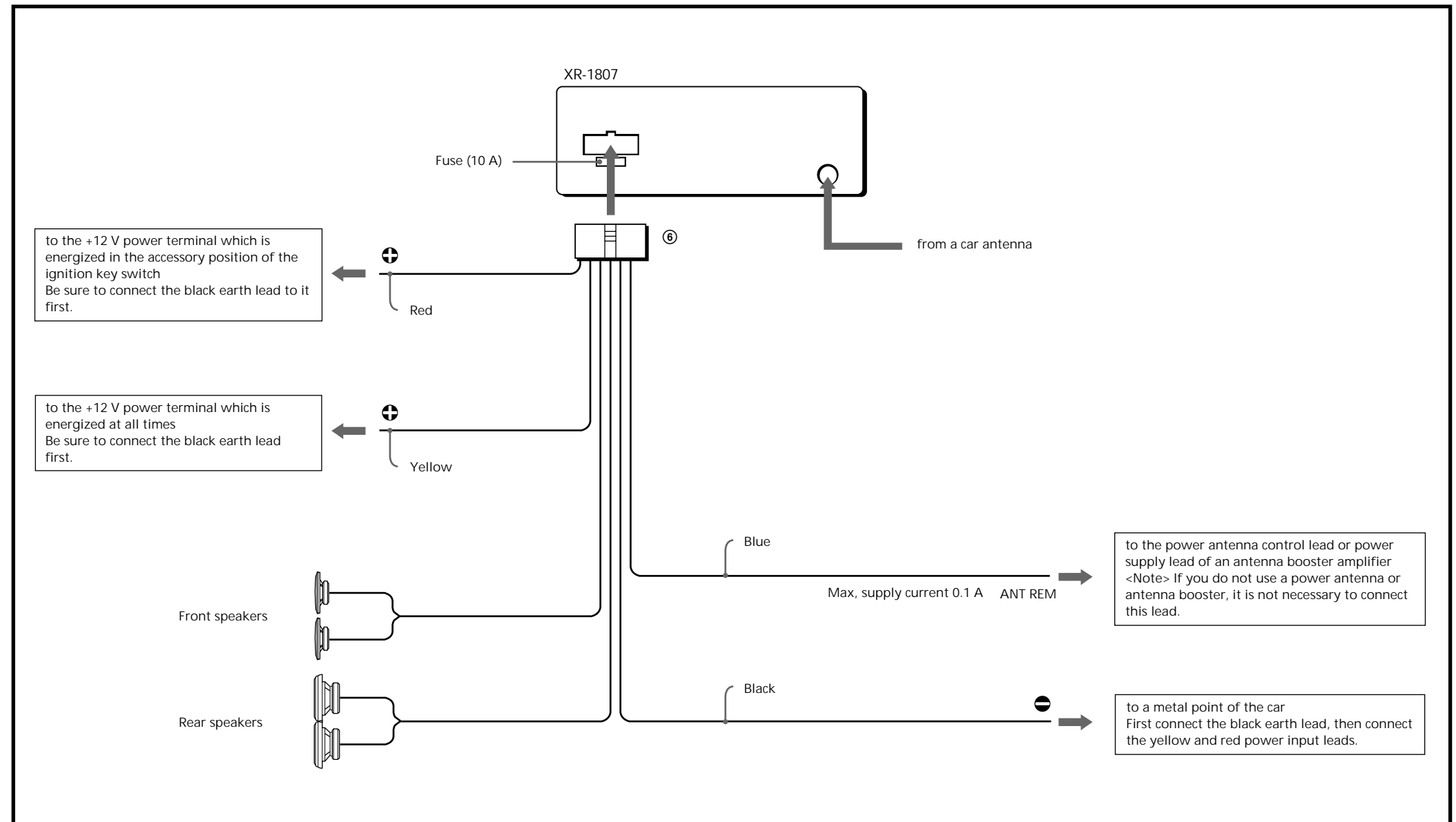
- This unit is designed for negative ground 12 V DC operation only.
- Before making connections, disconnect the ground terminal of the car battery to avoid short circuits.
- Connect the yellow and red power input leads only after all other leads have been connected.
- Be sure to connect the red power input lead to the positive 12 V power terminal which is energized when the ignition key is in the accessory position.
- Run all ground wires to a common ground point.

Frequency Select Switch

The AM (FM) tuning interval is factory-set to the 9K (50K) position. If the frequency allocation system of your country is based on 10 kHz (200 kHz) interval, set the switch on the bottom of the unit to the 10K (200K) position before making connections.



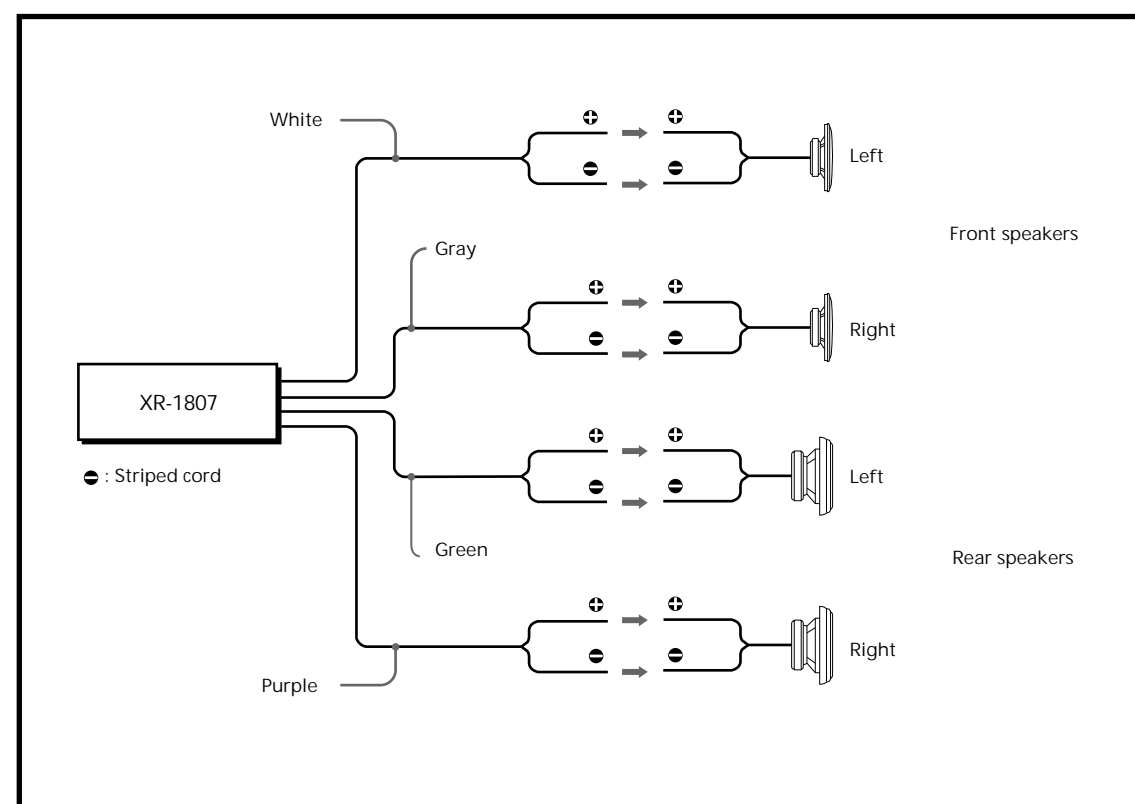
Connection Example



Notes on the control leads

- The power antenna control lead (blue) supplies 12V DC when you turn on the unit.
- A power antenna without relay box cannot be used with this unit.

Speaker Connections



Notes on speaker connection

- Use speakers with an impedance of 4 to 8 ohms, and with adequate power handling capacities. Otherwise, the speakers may be damaged.
- Do not connect the terminals of the speaker system to the car chassis, and do not connect the terminals of the right speaker with those of the left speaker.
- Do not connect the speakers in parallel.
- Do not connect any active speakers (with built-in amplifiers) to the speaker terminals of the unit. Doing so may damage the active speakers. Therefore, be sure to connect passive speakers to these terminals.

Connection Diagram

