

DC Adaptor/Charger

Operating Instructions
Mode d'emploi

DC-V700

Sony Corporation © 1998 Printed in Japan

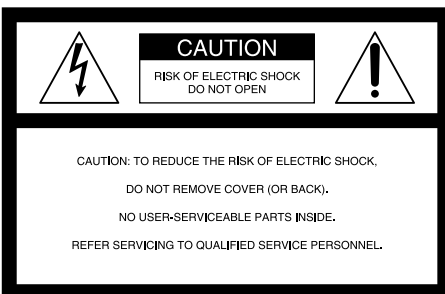
Owner's Record

The model and serial numbers are located on the bottom of the unit. Record the serial number in the space provided below. Refer to these numbers whenever you call upon your Sony dealer regarding this product.

Model No. DC-V700 Serial No. _____

WARNING

To prevent fire or shock hazard, do not expose the unit to rain or moisture.



This symbol is intended to alert the user to the presence of uninsulated "Dangerous voltage" within the product's enclosure that may be of sufficient magnitude to constitute a risk of electric shock to persons.



This symbol is intended to alert the user to the presence of important operating and maintenance (servicing) instructions in the literature accompanying the appliance.

CAUTION

You are cautioned that any changes or modifications not expressly approved in this manual could void your authority to operate this equipment.

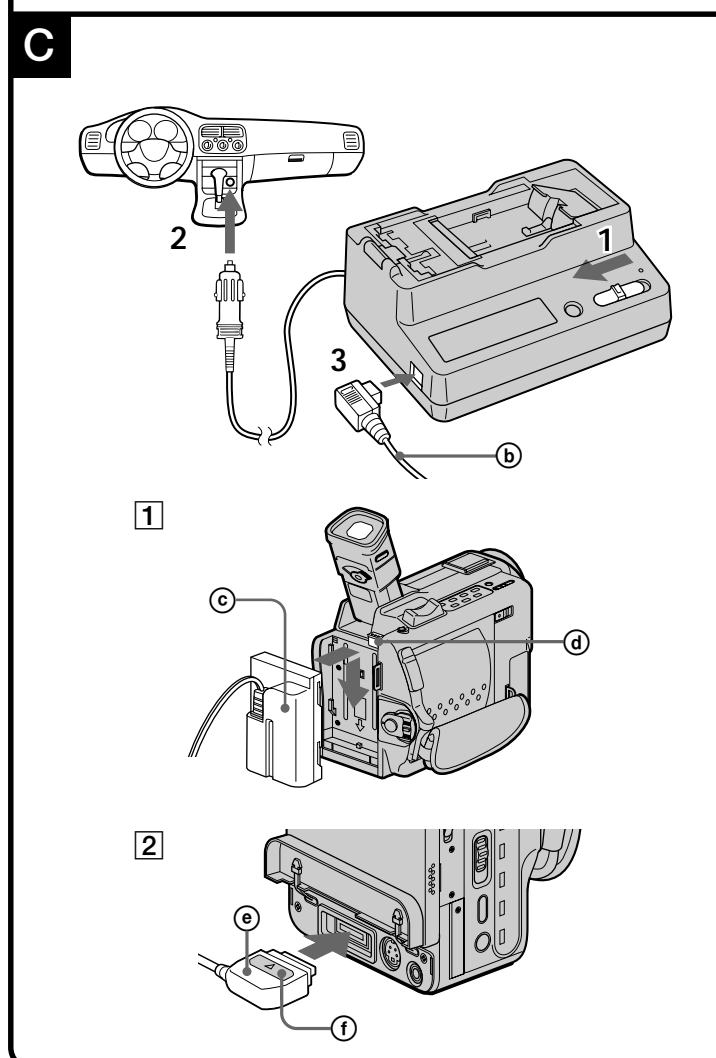
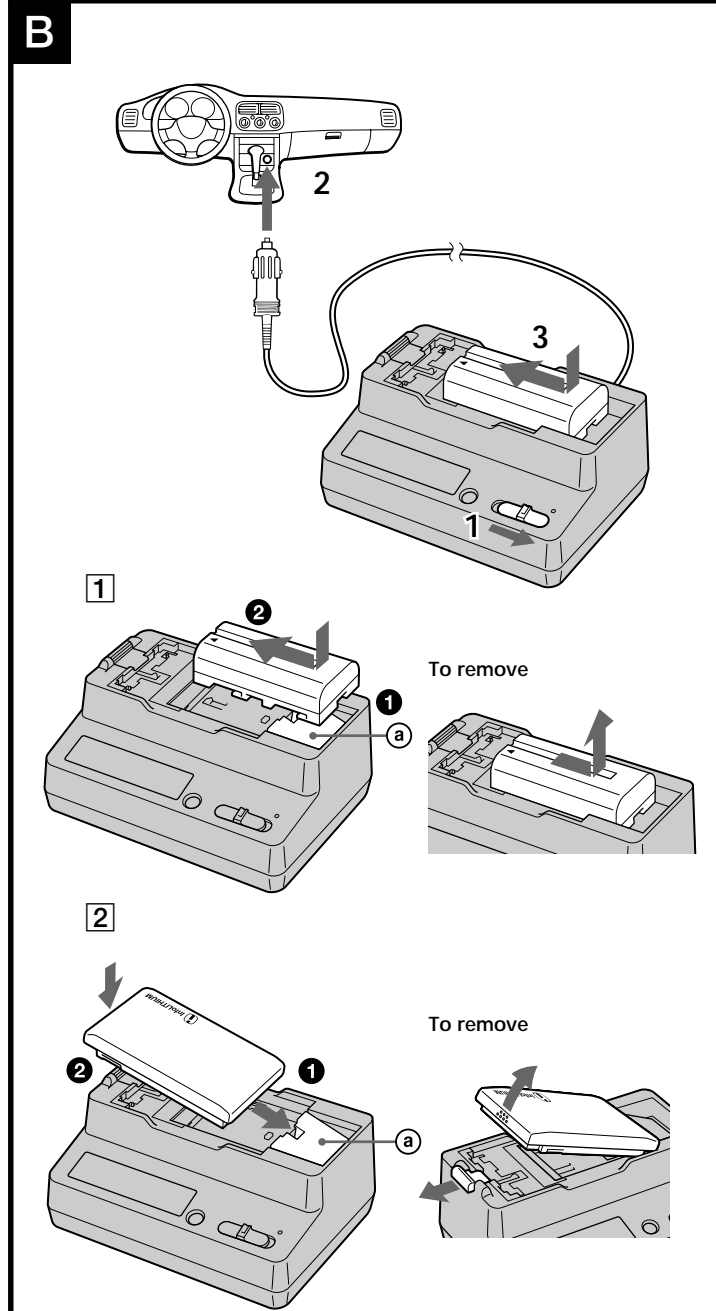
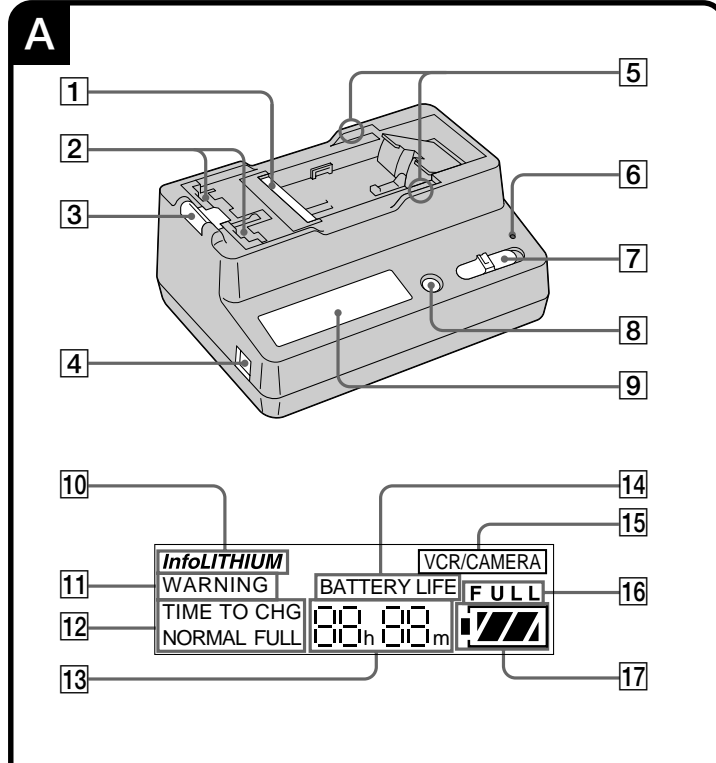
The Graphical Symbols with Supplemental Marking is located on the bottom of the unit.

Note:

This equipment has been tested and found to comply with the limits for a Class B digital device, pursuant to Part 15 of the FCC Rules. These limits are designed to provide reasonable protection against harmful interference in a residential installation. This equipment generates, uses, and can radiate radio frequency energy and, if not installed and used in accordance with the instructions, may cause harmful interference to radio communications.

However, there is no guarantee that interference will not occur in a particular installation. If this equipment does cause harmful interference to radio or television reception, which can be determined by turning the equipment off and on, the user is encouraged to try to correct the interference by one or more of the following measures:

- Reorient or relocate the receiving antenna.
- Increase the separation between the equipment and receiver.
- Connect the equipment into an outlet on a circuit different from that to which the receiver is connected.
- Consult the dealer or an experienced radio/TV technician for help.



Before operating the unit, please read this manual thoroughly and retain it for future reference.

The DC-V700 car battery charger (only for negative (-) grounded cars) can be used by connecting to the cigarette lighter socket of a car as follows:

- to charge a lithium ion type battery pack.
- to supply power to the Sony video equipment when operating with a lithium ion type battery pack.

The following functions are available with the "InfoLITHIUM" battery pack:

- Quickly charging
- Remaining charge time display

What is the "InfoLITHIUM"

The "InfoLITHIUM" is a lithium ion battery pack which can exchange data with compatible video equipment about its battery consumption. Sony recommends that you use the "InfoLITHIUM" battery pack with video equipment having the InfoLITHIUM mark.

WARNING

To prevent fire or shock hazard, do not expose the unit to rain or moisture.

To avoid electrical shock, do not open the cabinet. Refer servicing to qualified personnel only.

Notes on Use

About the remaining battery time

While charging the battery pack, this unit will show the remaining battery time with your video equipment, etc. on the following conditions:

- Using the "InfoLITHIUM" battery pack
 - Using the video equipment having the InfoLITHIUM mark
- Make sure that you use the battery pack having the InfoLITHIUM mark. Consult the operating instructions supplied with your video equipment if it is applied to "InfoLITHIUM".

Though the following models are applied to "InfoLITHIUM", the remaining battery time is not displayed on this unit.

DCR-PC7/PC7E/PC10/PC10E/SC100/SC100E/TRV7/TRV7E
CCD-TR555/TR555E/TR610E/TR710/TR710E/TR760E/TR790E/TR810E/TR820E/TR825E/TR910/TR910E/TR920E/TR930/TR1100E/TR2200E/TR2300/TR2300E/TR3100E/TR3300/TR3300E/TR3400/TRV31/TRV31E/TRV41/TRV41E/TRV51/TRV51E/TRV54E/TRV56E/TRV61E/TRV62/TRV64E/TRV72/TRV81/TRV81E/TRV82/TRV91E/TRV94/TRV94E/TRV101/TRV101E/SC55/SC55E/SC65/SC65E
GV-A500/A500E

If you use more than one video equipment having the InfoLITHIUM mark, the remaining battery time display of the battery pack being charged corresponds to the video equipment having the InfoLITHIUM mark which is last attached to the battery pack.

Charging

- Use only a lithium ion type battery pack. This unit cannot be used to charge a Ni-Cd/Nickel hydrogen type battery pack.
- Attach the battery pack firmly.
- Charge the battery pack on a flat surface without vibration.

Charging temperature

The temperature range for charging is 0°C to 40°C (32°F to 104°F). However, to provide maximum battery efficiency, the recommended temperature range when charging is 10°C to 30°C (50°F to 86°F).

Others

- Use this car battery charger only for cars which use a 12 or 24 volt battery.
- There are cars which are negatively grounded and there are others which are positively grounded.
- This car battery charger is for negatively grounded cars only.
- Use the unit with leaving the car engine going. If you use the unit with the car engine stopped, the car battery may become unusable.
- This unit is not disconnected from the power source as long as it is connected to the cigarette lighter socket of a car.
- Unplug the car battery cord from the cigarette lighter socket when not in use. To disconnect the cord, pull it out by the plug. Never pull the cord itself.
- Do not operate the unit with a damaged cord or if it has been dropped or damaged.
- Be sure that nothing metallic comes into contact with the metal parts of the unit or connecting plate. If it does, a short may occur and the unit may be damaged.
- Always keep the metal contacts clean.
- Do not disassemble or convert the unit.
- Do not apply mechanical shock or drop the unit.
- While the unit is in use, it gets warm. But this is normal.
- Keep the unit away from AM receivers, because it will disturb AM reception.
- Do not place the unit in a location where it will be in direct sunlight such as on the dashboard.

If any difficulty should arise, unplug the unit and contact your nearest Sony dealer.

Specifications

Power requirements	12/24 V DC (12/24 V, only for negative grounded cars)
Output voltage	DC OUT: 8.4 V, 2.0 A in operating mode Battery charge terminal: 8.4 V, 1.4 A in charge mode
Application	Sony battery pack NP-F100/F200/F300/F330/F530/CF540/F550/F730/F750/F930/F950
Operating temperature	0°C to 40°C (32°F to 104°F)
Storage temperature	-20°C to 60°C (-4°F to 140°F)
Dimensions	Approx. 127 × 55 × 95 mm (w/h/d) (5 × 2.316 × 3.34 inches)
Mass	Approx. 330 g (11.7 oz)
Supplied accessory	Connecting cord DK-415 (1)

Design and specifications are subject to change without notice.



This mark indicates that this product is a genuine accessory for Sony video products. When purchasing Sony video products, Sony recommends that you purchase accessories with this "GENUINE VIDEO ACCESSORIES" mark.

Identifying the parts

See illustration A.

- 1 Terminal shutter
- 2 Charging polarity
- 3 Battery release lever
- 4 DC OUT connector
- 5 Guide
- 6 CHARGE lamp
- 7 Mode change switch
- 8 DISPLAY CHANGE button
- 9 Display window

Display window

- 10 "InfoLITHIUM" indicator
- Lights up when the "InfoLITHIUM" battery pack is attached.
- 11 WARNING indicator
- 12 TIME TO CHG (charge) indicator
- 13 Time indicator
- 14 BATTERY LIFE (battery remaining time) indicator
- 15 VCR/CAMERA indicator
- 16 Full charge indicator
- 17 Remaining battery indicator

To Charge the Battery Pack

See illustration B.

- 1 Set the mode change switch to CHARGE.
- 2 Connect the power cord to this unit.
- 3 Connect the power cord to a wall outlet. The beep sounds and the display window lights up.
- 4 Install the battery pack.

Charging begins. When the remaining battery indicator becomes and the CHARGE lamp lights up, normal charge is completed. For full charge, which allows you to use the battery slightly longer than "normal charge", leave the battery pack attached until the CHARGE lamp goes out. Remove the battery pack when required. It can be used even if the charging is not completed.

Remaining battery indicator

Normal charge	Full charge

To Install the battery pack

- NP-F550, etc. (iii. B-1)**
- 1 Place the battery pack on . Align the end of the battery pack having the with the edge of the terminal shutter of this unit.
 - 2 Slide down when the battery pack is placed on it.
 - 3 Slide the battery pack in the direction of the arrow. Press the battery pack until the terminal shutter is completely covered.
- NP-F100, etc. (iii. B-2)**
- 1 Slide the battery pack along the guide to .
 - 2 Press the battery pack down until it clicks.

Note

Do not apply shock to the charging polarity. When you install the battery pack, be sure to not strike it.

Charging time

The following table shows the charging time for the battery pack which is discharged completely.

Battery pack	Charging time	Battery pack	Charging time
NP-CF540	110 (50)	NP-F100	100 (40)
NP-F550	115 (55)	NP-F200	115 (55)
NP-F750	170 (110)	NP-F300	160 (100)
NP-F950	225 (165)		

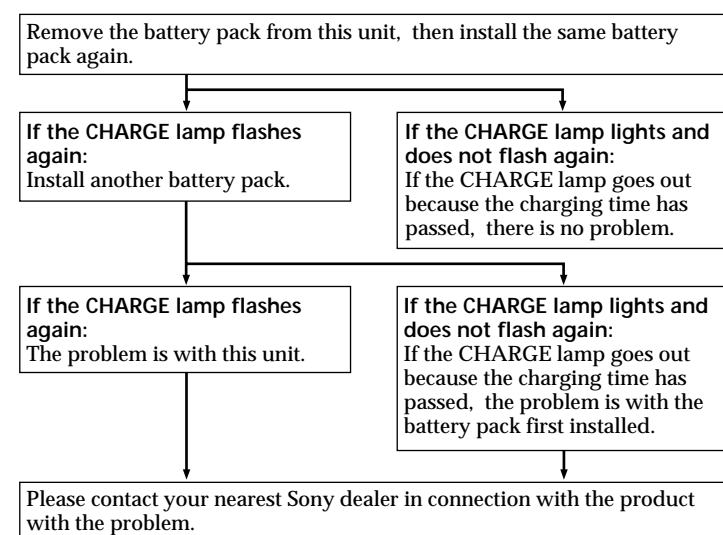
- Approximate minutes to charge an empty battery pack fully (Full charge).
- Approximate minutes in parentheses indicate the time when you charge normally (Normal charge).
- To ascertain the battery life, refer to the instruction manual of the video equipment which you use.
- The charging time may differ depending on the condition of the battery pack or the temperature of the environment.

Notes

- When the mode change switch is set to VCR/CAMERA during charging, charging stops.
- When a fully charged battery pack is installed, the CHARGE lamp will once light, then go out.
- If the CHARGE lamp does not light or flash, check that the battery pack is correctly attached to the DC adaptor/charger. If it is not attached, it will not be charged.

When the CHARGE lamp flashes

If a problem occurs during charging, the CHARGE lamp flashes and WARNING appears on the display. Check through the following chart.



To remove the battery pack

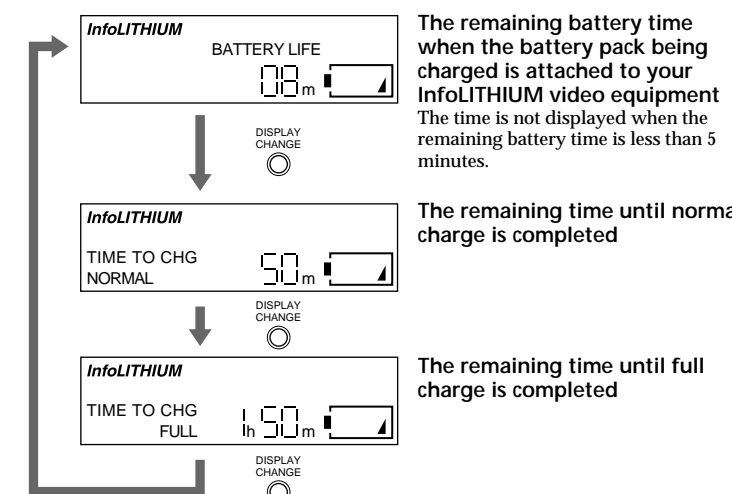
NP-F550, etc. (iii. B-1)
Slide the battery pack in the direction of the arrow, then lift it straight out.
NP-F100, etc. (iii. B-2)
Remove the battery pack while sliding the battery release lever.

To Check Charging

While charging, you can check the charging time on the display. After starting charging in a minute, BATTERY LIFE lights up on the display.

Press DISPLAY CHANGE while charging.

Each time you press DISPLAY CHANGE, the display changes as follows.



Notes

- The time display shows the approximate time when charging at 10°C - 30°C. The time display may differ from the actual charging time depending on using conditions and circumstances.
- The time display may show "----" in the following cases. However, the unit is not malfunctioning.
 - The remaining battery time is less than 5 minutes.
 - There is a difference between the displayed time and actual charging time. Even if this happens, continue charging.
- Full charge requires about 1 hour after normal charge is completed. If you remove the battery pack between normal charge and full charge, the charging time may not be displayed properly in the next charging.
- If the charging time is not displayed properly, fully charge the battery pack. The charging time will be displayed properly.
- When you attach a fully charged battery pack to this unit, "TIME TO CHG FULL 1h" may appear on the display. However, the unit is not malfunctioning.
- BATTERY LIFE may not be displayed depending on using conditions and circumstances.
- You may wait for a while after pressing DISPLAY CHANGE until the display shows the time indication.

To Operate Video Equipment

See illustration C.

For the DCR-TRV9 video camera, etc., use the supplied DK-415 connecting cord. For the DCR-PC10 video camera, etc., use the DK-626 connecting cord (not supplied). For details of the connection, refer to the instruction manual of the video equipment.

- 1 Set the mode change switch to VCR/CAMERA.
- 2 Connect the DC cord to the cigarette lighter socket.
- 3 Connect the connecting cord to the DC OUT connector of this unit.
- 4 Connect the connecting cord to the video equipment.
 - DCR-TRV9, etc. (iii. C-1)**
While pressing the connecting plate , slide it down. To remove the connecting plate, slide it up while pressing the battery release lever .
 - DCR-PC10, etc. (iii. C-2)**
Open the cover, and insert the connecting plug . To remove the connecting plug, pull it while pressing the button .

Notes

- If you set the mode change switch to CHARGE while operating the video equipment, the power supply to the video equipment stops.
- You cannot charge the battery pack attached to this unit while supplying the power to the video equipment.
- Keep this unit away from the video equipment if the picture is disturbed.

Fuse Replacement

If this unit is not working properly, check to see if the fuse has blown out. If the fuse has blown out, replace it in the following way.

- 1 Twist the end of the plug and remove it.
- 2 Remove the blown out fuse.
- 3 Insert the new fuse and twist the end of the plug and tighten.

Notes

- If the car's cigarette lighter socket is dirty with ash, etc., the plug part will become hot due to a poor connection. Be sure to clean it before using.
- When replacing the fuse, do not substitute anything for the specified fuse.
- If the fuse blows again soon after replacement, consult your nearest Sony dealer.

Please contact your car dealer about the polarity that your car is grounded or the voltage of your car battery, etc.

