

Compact Hi-Fi Stereo System

Operating Instructions



LBT-DR8AV
LBT-DR7AV
LBT-W900AV
LBT-XB800AV

WARNING

To prevent fire or shock hazard, do not expose the unit to rain or moisture.

To avoid electrical shock, do not open the cabinet. Refer servicing to qualified personnel only.

Do not install the appliance in a confined space, such as a bookcase or built-in cabinet.



This appliance is classified as a CLASS 1 LASER product. The CLASS 1 LASER PRODUCT MARKING is located on the rear exterior.

This stereo system is equipped with the Dolby* B-type noise reduction system.

* Dolby noise reduction manufactured under license from Dolby Laboratories Licensing Corporation.

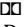
“DOLBY” and the double-D symbol  and “PRO LOGIC” are trademarks of the Dolby Laboratories Licensing Corporation.

Table of Contents

Getting Started

| | |
|---|----|
| Step 1: Hooking up the system | 4 |
| Step 2: Setting up the speakers | 7 |
| Step 3: Setting the time | 9 |
| Step 4: Presetting radio stations | 10 |
| Saving power in standby mode* | 11 |

Basic Operations

| | |
|--------------------------------|----|
| Playing a CD | 13 |
| Recording a CD | 14 |
| Listening to the radio | 15 |
| Recording from the radio | 17 |
| Playing a tape | 18 |
| Recording from a tape | 20 |

The CD Player

| | |
|--|----|
| Using the CD display | 21 |
| Playing CD tracks repeatedly | 22 |
| Playing CD tracks in random order .. | 22 |
| Programming CD tracks | 23 |
| Playing CDs without interruption | 25 |

The Tape Deck

| | |
|--|----|
| Recording on a tape manually | 26 |
| Recording CDs by specifying the track order | 27 |

DJ Effects

| | |
|-----------------------------|----|
| Looping part of a CD | 29 |
| Flashing part of a CD | 29 |

Sound Adjustment

| | |
|--|----|
| Adjusting the sound | 30 |
| Selecting the audio emphasis | 31 |
| Adjusting the audio emphasis | 32 |
| Making a personal audio emphasis file | 34 |
| Enjoying Dolby Pro Logic Surround sound | 35 |

Other Features

| | |
|--|----|
| Using the Radio Data System (RDS)** | 36 |
| Singing along: Karaoke | 38 |
| Falling asleep to music | 40 |
| Waking up to music | 41 |
| Timer-recording radio programs | 42 |

Optional AV components

| | |
|-----------------------------------|----|
| Connecting audio components | 44 |
| Connecting video components | 45 |
| Connecting outdoor antennas | 48 |

Additional Information

| | |
|-----------------------|------------|
| Precautions | 49 |
| Troubleshooting | 50 |
| Specifications | 52 |
| Index | Back cover |

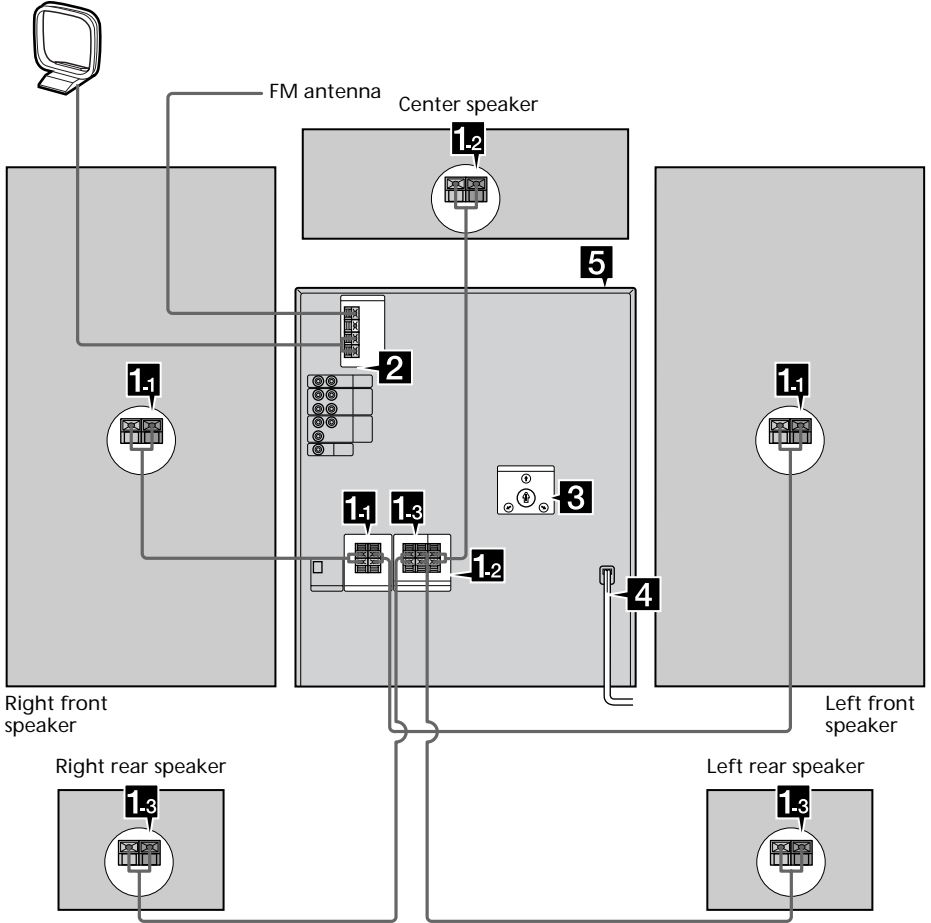
* For LBT-W900AV/XB800AV only

**For the European model only

Step 1: Hooking up the system

Follow steps **1** through **5** to hook up your system using the supplied cords and accessories.

AM loop antenna

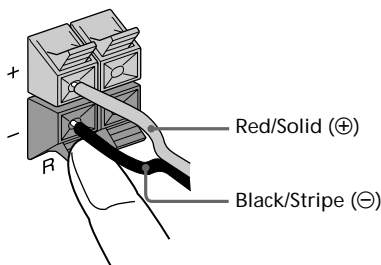


The above illustration is of the LBT-DR7AV.

1 Connect the speakers.

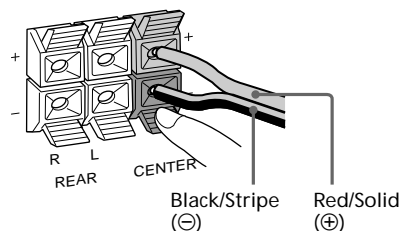
1 Connecting the front speakers

Connect the speaker cords to FRONT SPEAKER jacks.



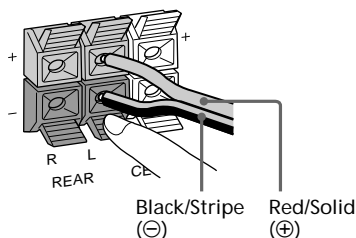
2 Connecting the center speaker

Connect the speaker cords to the SURROUND SPEAKER CENTER jacks.



3 Connecting the rear speakers

Connect the speaker cords to the SURROUND SPEAKER REAR jacks.



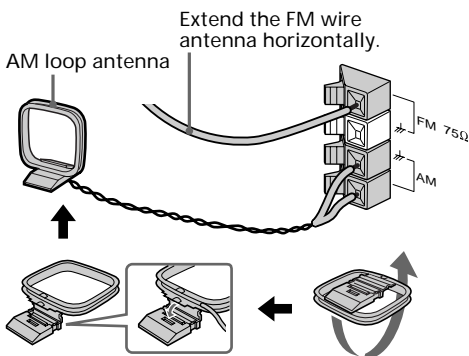
Notes

- If “PUSH POWER” appears in the display when you turn on the system, press I/⏻ to turn off the system and check the speaker connections.
- Keep the speaker cords away from the antennas to prevent noise.
- Insert only the stripped portion of the cord. Inserting the vinyl portion will interfere with the speaker connection and no sound will come from the speaker.

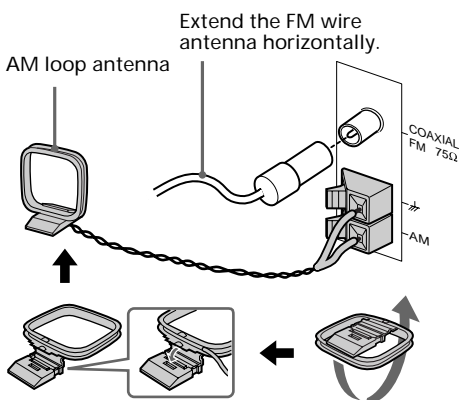
2 Connect the FM/AM antennas.

Set up the AM loop antenna, then connect it.

Except for European models

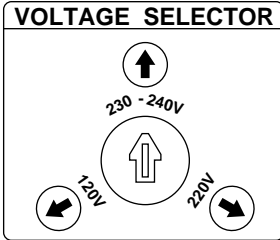


For European models



Step 1: Hooking up the system (continued)

- 3** If your system has a VOLTAGE SELECTOR on the rear panel, set it to the position of your local power line voltage.



- 4** Connect the power cord to a wall outlet.

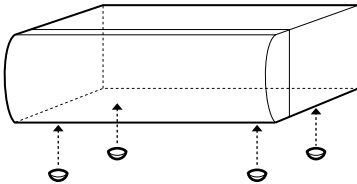
The demonstration appears in the display.

If the supplied adapter on the plug does not fit your wall outlet, detach it from the plug (only for models equipped with an adapter).

- 5** Deactivate the demonstration mode by pressing DISPLAY (for LBT-W900AV/XB800AV only) or DEMO (STANDBY) (for other models) while the system is off.

To attach the center speaker feet

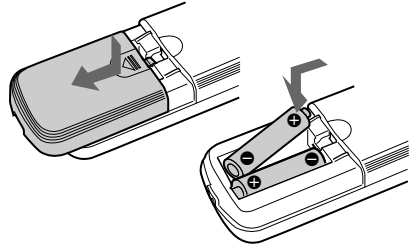
Attach the four center speaker feet (supplied) to the bottom corners of the center speaker.



To connect optional AV components

See page 44.

Inserting two R6 (size AA) batteries into the remote



Tips

- With normal use, the batteries should last for about six months. When the remote no longer operates the system, replace both batteries with new ones.
- When you set the time, the demonstration is deactivated. To activate the demonstration again, press DISPLAY (for LBT-W900AV/XB800AV only) or DEMO (STANDBY) (for other models) while the system is off.

Note

If you do not use the remote for a long period of time, remove the batteries to avoid possible damage from battery leakage.

When carrying this system

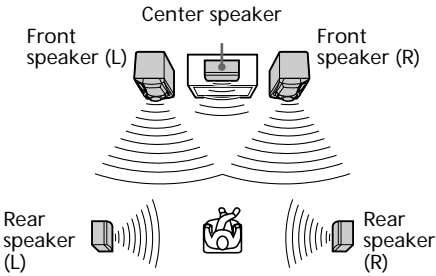
Do the following to protect the CD mechanism.

- 1 Press FUNCTION repeatedly until "CD" appears in the display.
- 2 Hold down LOOP and press I/⏻ to turn off the system.

Step 2: Setting up the speakers

By connecting the supplied speakers, you can enjoy Dolby Pro Logic Surround sound. Dolby Pro Logic Surround is a decoding system standardized in TV programs and movies. Dolby Pro Logic Surround improves the sound image by using four separate channels. These channels manipulate the sound to enhance the action as it happens on the screen.

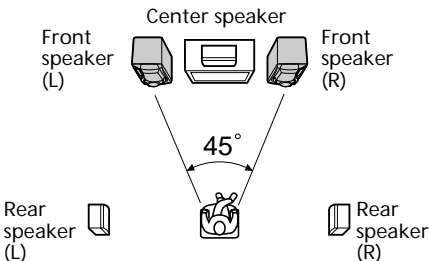
Since the center speaker cannot produce enough bass, the bass sound of the center channel is output from the front speakers.



Positioning the center and rear speakers

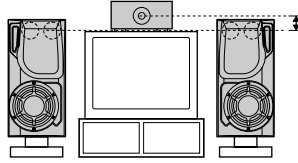
Before you connect them, determine the best location for your speakers.

- 1 Place the front speakers at an angle of 45 degrees from your listening position.

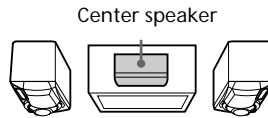


- 2 Place the center speaker so it is placed at about the same height as the front speakers (A). Align the center speaker with the front speakers or place it a little behind the front speakers' position (B).

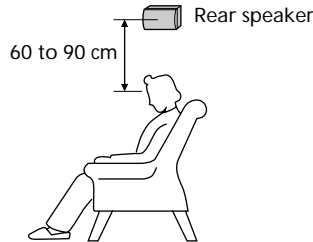
A



B



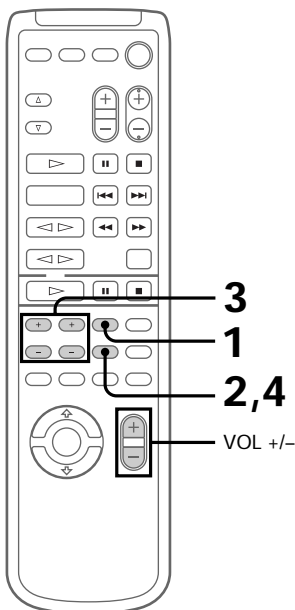
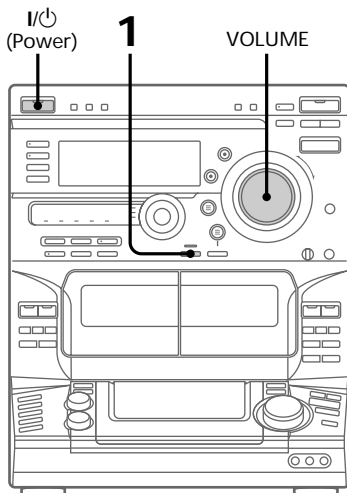
- 3 Place the rear speakers facing each other at about 60 to 90 cm above your listening position.



Step 2: Setting up the speakers (continued)

Adjusting the speaker volume

To enjoy Dolby Pro Logic Surround sound, adjust the volume of each speaker using the test tone that the system provides.



- 1** Press PRO LOGIC.
The indicator above this button lights up.
- 2** Press T. TONE on the remote.
The test tone is heard from the speakers in the following order. Adjust the volume of the test tone.

```
graph LR; A[Front (left)] --> B[Center]; B --> C[Rear]; C --> D[Front (right)];
```
- 3** From your listening position, press CENTER LEVEL +/- and REAR LEVEL +/- on the remote to adjust the volume levels.
The volume levels from each speaker should be the same.
- 4** Press T. TONE when you are done adjusting.
The test tone is turned off.

Tip

If you turn VOLUME (or press VOL +/- on the remote), all the speaker volumes change.

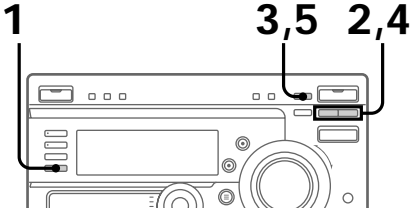
Note

The test tone feature works only for Dolby Pro Logic Surround sound.

Step 3: Setting the time

You must set the time before using the timer functions. The clock is on a 24-hour system for the European and Brazilian models, and a 12-hour system for other models.

The 24-hour system model is used for illustration purposes.



Tip

If you make a mistake, start over from step 1.

Notes

- You cannot set the time in Power Saving mode (see page 11).
- The clock setting is canceled when you disconnect the power cord or if a power failure occurs.

-
- 1** Press **⊖/CLOCK SET**.
The hour indication flashes.



-
- 2** Press **TUNING +/-** to set the hour.



-
- 3** Press **ENTER/NEXT**.
The minutes indication flashes.



-
- 4** Press **TUNING +/-** to set the minutes.



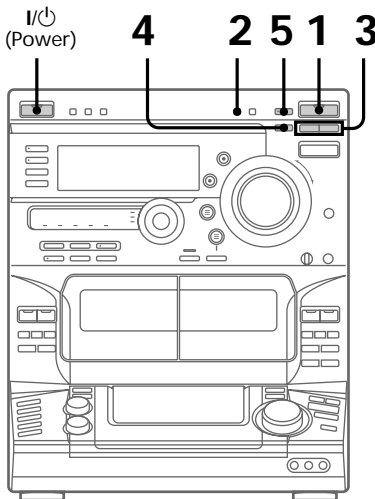
-
- 5** Press **ENTER/NEXT**.
The clock starts.
-

Step 4: Presetting radio stations

You can preset the following number of stations:

- 2 band model: 20 for FM and 10 for AM
- 3 band model:
20 for FM, 10 for AM, and 5 for UKV

The bands you can select depend on the kind of tuner built into your system. Confirm the bands by pressing TUNER/BAND repeatedly.



- 1** Press TUNER/BAND repeatedly until the desired band appears in the display.

Each time you press this button, the band changes as follows:

2 band model:

FM ↔ AM

3 band model:

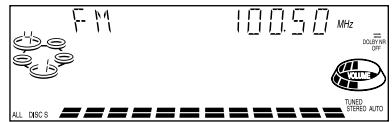
FM → AM → UKV*



* When you select this band, “STEREO PLUS” appears in the display.

- 2** Press TUNING MODE repeatedly until “AUTO” appears in the display.

- 3** Press TUNING +/-.
The frequency indication changes and scanning stops when the system tunes in a station. “TUNED” and “STEREO” (for a stereo program) appear.



- 4** Press TUNER MEMORY.
The next available preset number flashes in the display. The stations are stored from preset number 1.



- 5** Press ENTER/NEXT.
The station is stored.

- 6** Repeat steps 1 through 5 to store other stations.

To tune in a station with a weak signal

Press TUNING MODE repeatedly until “MANUAL” appears in step 2, then press TUNING +/- to tune in a station.

To store another station on an existing preset number

Start over from step 1. After step 4, press TUNING +/- to select the preset number on which you want to store the station.

You can add a new preset number after the last preset number.

To erase a preset number

- 1 Press and hold TUNER MEMORY until the preset number flashes in the display.
- 2 Press TUNING +/- to select the preset number you want to erase. Select "ALL ERASE" to erase all preset numbers.
- 3 Press ENTER/NEXT.

When you erase a preset number, all the following preset numbers shift up and reduce by one.

To change the AM tuning interval (Except for the European and the Middle Eastern models)

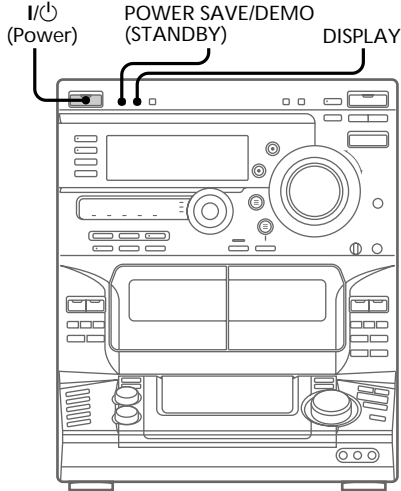
The AM tuning interval is factory-preset to 9 kHz (10 kHz in some areas). To change the AM tuning interval to 10 kHz (or 9 kHz), press TUNER/BAND repeatedly until "AM" appears, then turn off the system. While holding down ENTER, turn the system back on. When you change the interval, the AM preset stations will be erased. To reset the interval, repeat the same procedure.

Note

The preset stations are canceled when you disconnect the power cord or if a power failure occurs for more than half a day.

Saving power in standby mode (For LBT-W900AV/ XB800AV only)

In standby mode, you can reduce the power consumption to a minimum (Power Saving mode) and thus save energy.



-
- ➔ Press POWER SAVE/DEMO (STANDBY) while the system is turned off.

The system switches to the Power Saving mode and the clock display disappears.

The system is turned on/off by pressing I/⏻.

To cancel the Power Saving mode

Press DISPLAY.

The clock display reappears.

Saving power in standby mode (continued)

Tips

- Each time you press POWER SAVE/DEMO (STANDBY) in the Power Saving mode, the display switches between the Power Saving mode and the demo mode.
- The I/⏻ indicator and timer indicator (when the timer is set) light up even in the Power Saving mode.
- The timer works in the Power Saving mode.

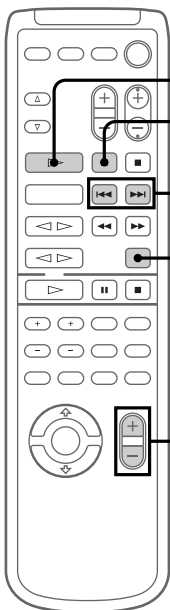
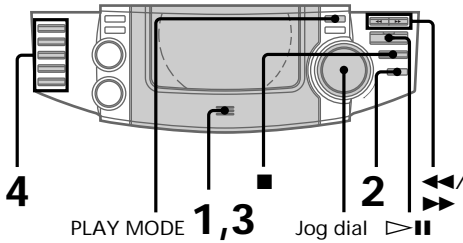
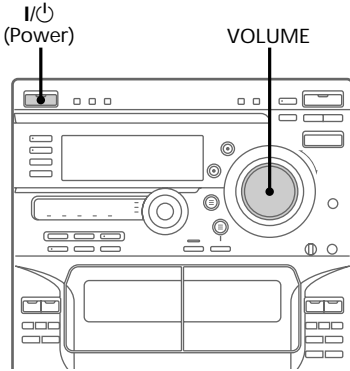
Notes

- You cannot set the time in the Power Saving mode.
- One Touch Play function does not work in the Power Saving mode.

Playing a CD

— Normal Play

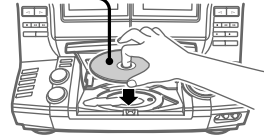
You can play up to five CDs in a row.



- 1 Press PUSH OPEN and place a CD on the disc tray.

If the disc is not placed properly, it will not be recognized.

With the label side up. When you play a CD single, place it on the inner circle of the tray.



- 2 Press DISC SKIP (or D.SKIP on the remote) to place up to four more CDs on the tray.

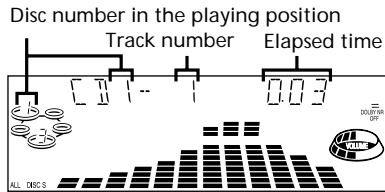
The disc tray rotates so you can insert other CDs.

- 3 Close the front cover.

- 4 Press one of the DISC 1 - DISC 5 buttons.

Playback starts.

If you press (or CD on the remote), playback starts from the CD in the playing position.



Playing a CD (continued)

| To | Do this |
|------------------------------------|--|
| Stop playback | Press ■. |
| Pause | Press ▷ (or on the remote). Press ▷ again to resume playback (or CD ▷ on the remote). |
| Select a track | During playback or pause, turn the jog dial clockwise (to go forward) or counterclockwise (to go backward) and release it when you reach the desired track. Or press AMS* ►► (to go forward) or AMS ◄◄ (to go backward) on the remote. |
| Find a point in a track | Press and hold ►► or ◄◄ during playback, and release at the desired point. |
| Select a CD | Press one of the DISC 1 - DISC 5 buttons (or DISC SKIP). |
| Play only the CD you have selected | Press PLAY MODE repeatedly until "1 DISC" appears. |
| Play all CDs | Press PLAY MODE repeatedly until "ALL DISCS" appears. |
| Remove or change the CDs | Press PUSH OPEN. |
| Adjust the volume | Turn VOLUME (or press VOL +/- on the remote). |

* AMS: Automatic Music Sensor

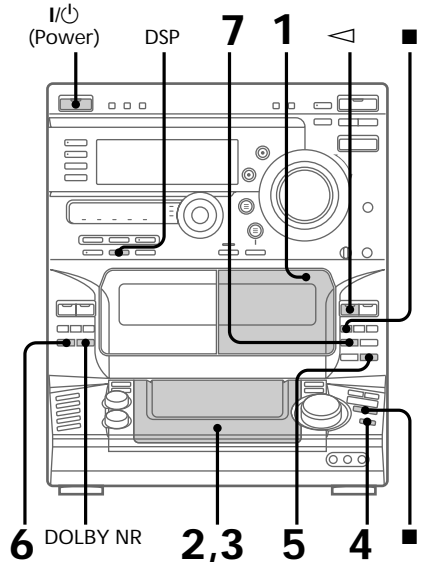
Tips

- Pressing ▷|| while the system power is off automatically turns on the system and starts CD playback if there is a CD on the tray (One Touch Play). One Touch Play is not available in Power Saving mode.
- You can switch from another source and begin playing a CD just by pressing ▷||, one of the DISC 1 - DISC 5 buttons, or CD ▷ on the remote (Automatic Source Selection).
- If there is no CD in the player, "NO DISC" appears in the display.
- You can change the CD which is in the loading position during playback of the CD which is in the playing position.

Recording a CD

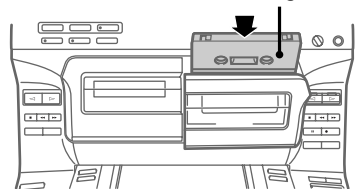
— CD Synchro Recording

This function lets you easily record from a CD to a tape. You can use TYPE I (normal) or TYPE II (CrO₂) tapes. The recording level is automatically adjusted.



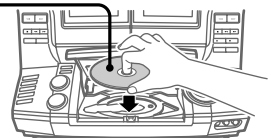
- 1 Press PUSH ▲ and insert a blank tape into deck B.

With the side you want to record on facing forward



- 2 Press PUSH OPEN and place a CD.

With the label side up. When you play a CD single, place it on the inner circle of the tray.



- 3 Close the front cover.
- 4 Press DISC SKIP repeatedly until the disc number you want to record appears in the playing position indicator.
- 5 Press CD SYNC.
Deck B stands by for recording, the CD player stands by for playback, and the indicator on the \triangleright button (for the front side) lights up green.
- 6 Press DIRECTION repeatedly until \rightleftarrows appears to record on one side or \rightleftarrows (or RELAY) to record on both sides.
- 7 Press **II**.
Recording starts.

To stop recording

Press **■** on deck B or on the CD player.

Tips

- When you want to record on the reverse side, press \triangleleft after pressing CD SYNC in step 5 so the indicator on the \triangleleft button (for the reverse side) lights up green.
- When you record on both sides, be sure to start from the front side. If you start from the reverse side, recording stops at the end of the reverse side.
- When you want to reduce the hiss noise in low-level, high-frequency signals, press DOLBY NR before step 7 so "DOLBY NR B" appears in the display.
- To record with the surround effect, press DSP so "SUR ((((|■|)))" appears in the display.
The equalizer settings will not be recorded.

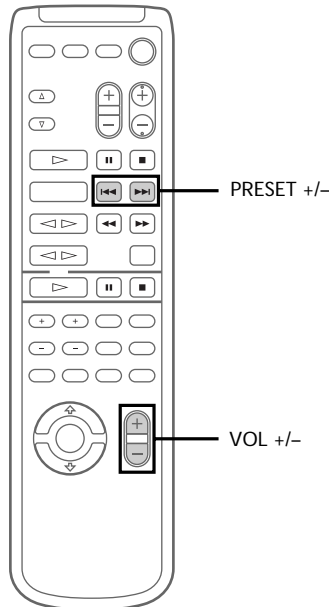
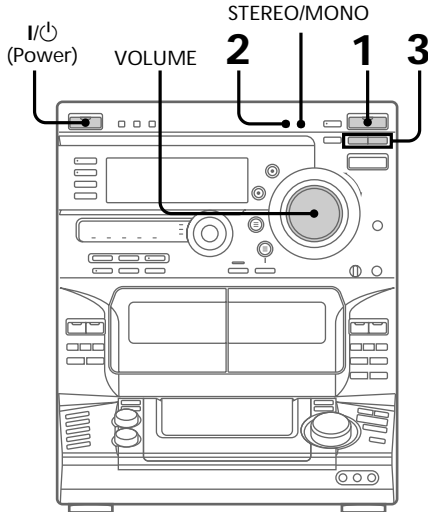
Note

You cannot listen to other sources while recording.

Listening to the radio

— Preset Tuning

Before using this function, preset radio stations in the tuner's memory (see "Step 4: Presetting radio stations" on page 10).



Listening to the radio (continued)

- 1 Press TUNER/BAND repeatedly until the desired band appears in the display.

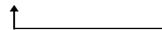
Each time you press this button, the band changes as follows:

2 band model:

FM ↔ AM

3 band model:

FM → AM → UKV*



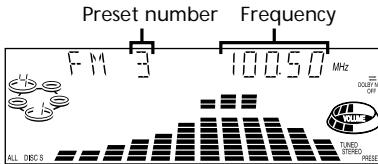
* When you select this band, "STEREO PLUS" appears in the display.

- 2 Press TUNING MODE repeatedly until "PRESET" appears in the display.

MANUAL → AUTO → PRESET



- 3 Press TUNING +/- (or PRESET +/- on the remote) to tune in the desired preset station.



To listen to non-preset radio stations

Press TUNING MODE repeatedly in step 2 until "MANUAL" appears, then press TUNING +/- to tune in the desired station.

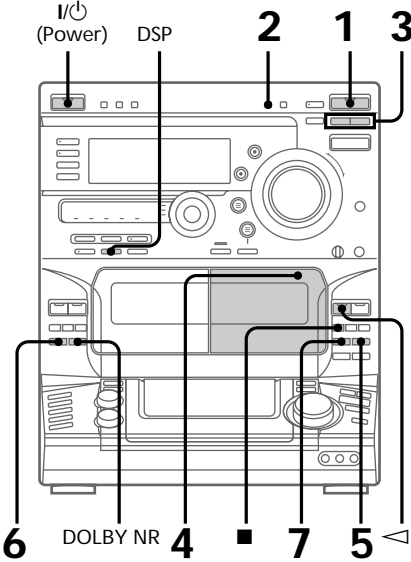
Tips

- Pressing TUNER/BAND while the system power is off automatically turns on the system and tunes in the last received station (One Touch Play). One Touch Play is not available in Power Saving mode.
- You can switch from another source to the radio by pressing TUNER/BAND (Automatic Source Selection).
- If an FM program is noisy, press STEREO/MONO so "MONO" appears in the display. There will be no stereo effect, but the reception will improve. Press this button again to restore the stereo effect.
- To improve broadcast reception, move the supplied antennas.

| To | Do this |
|--------------------|---|
| Turn off the radio | Press I/⏻. |
| Adjust the volume | Turn VOLUME (or press VOL +/- on the remote). |

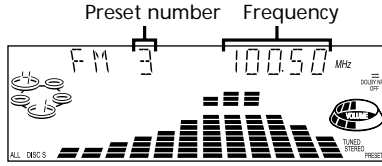
Recording from the radio

You can record a radio program on a tape by tuning in a preset station. You can use TYPE I (normal) or TYPE II (CrO₂) tapes. The recording level is automatically adjusted.



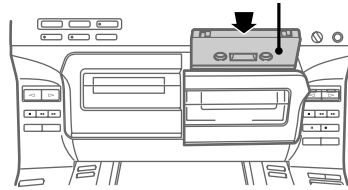
- 1 Press TUNER/BAND repeatedly until the desired band appears in the display.
- 2 Press TUNING MODE repeatedly until "PRESET" appears in the display.

- 3 Press TUNING +/- to tune in the desired preset station.



- 4 Press PUSH ▲ and insert a blank tape into deck B.

With the side you want to record on facing forward



- 5 Press ● REC.
Deck B stands by for recording, and the indicator on the ▷ button (for the front side) lights up green.
- 6 Press DIRECTION repeatedly until ⇔ appears to record on one side or ⇔⇔ (or RELAY) to record on both sides.

- 7 Press ■.
Recording starts.

To stop recording

Press ■ on deck B.

Recording from the radio (continued)

Tips

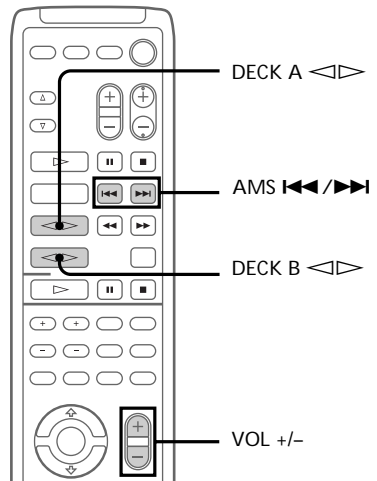
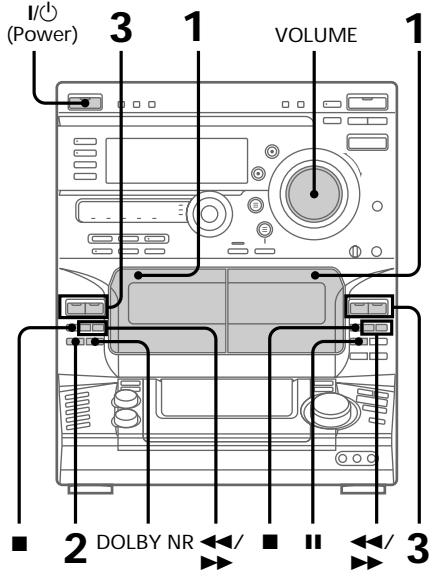
- When you want to record on the reverse side, press ◀ after pressing ● REC in step 5 so the indicator on the ◀ button (for the reverse side) lights up green .
- When you record on both sides, be sure to start from the front side. If you start from the reverse side, recording stops at the end of the reverse side.
- To record non-preset stations, select “MANUAL” in step 2, then press TUNING +/- to tune in the desired station.
- When you want to reduce the hiss noise in low-level, high-frequency signals, press DOLBY NR before step 7 so “DOLBY NR B” appears in the display.
- To record with the surround effect, press DSP so “SUR (((|•|))) ” appears in the display. The equalizer settings will not be recorded.
- To improve broadcast reception, move the supplied antennas.


Playing a tape

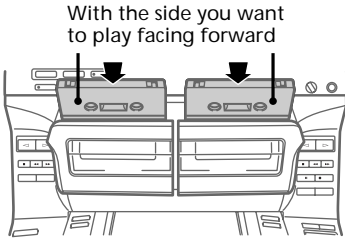
You can play any type of tape, TYPE I (normal), TYPE II (CrO₂), or TYPE IV (metal). The deck automatically detects the tape type. You can also use the AMS* functions to locate quickly the desired songs.


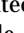
To select either deck A or B, press DECK A ◀▶ or DECK B ◀▶ on the remote.


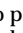
* AMS: Automatic Music Sensor



- 1 Press **PUSH**  and insert a recorded tape in deck A or B.





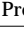
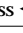



- 2 Press **DIRECTION** repeatedly to select  to play one side, * to play both sides, or **RELAY** (Relay Play)** to play both decks in succession.



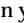
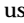
- 3 Press . Press  to play the reverse side. The tape starts playing.

* The deck stops automatically after playing both sides five times.

** Relay Play always plays according to the following sequence:
Deck A front side, Deck A reverse side,
Deck B front side, Deck B reverse side.

| To | Do this |
|---------------------|--|
| Stop play | Press  . |
| Pause (Deck B only) | Press  . Press again to resume playback. |
| Fast-forward | Press  or  . |
| Rewind | Press  or  . |
| Remove the cassette | Press PUSH  . |
| Adjust the volume | Turn VOLUME (or press VOL +/- on the remote). |

To search for the beginning of a track (AMS)

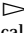

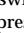

Press  to search forward or  to search backward when playing the front side (or vice-versa when playing the reverse side). When you use the remote, AMS  or .

The search direction, + (forward) or - (backward), and number of songs being skipped (1 - 9) appear in the display.

Example: searching forward 2 songs

T A P E A : : : + 2

Tips

- Pressing  or  while the system power is off automatically turns on the system and starts tape playback if there is a tape in the deck (One Touch Play). One Touch Play is not available in Power Saving mode.
- You can switch from another source to the tape deck by pressing  or  (Automatic Source Selection).
- You can fast-forward or rewind the tape, regardless of the selected source.
- When you want to reduce the hiss noise in low-level, high-frequency signals, press **DOLBY NR** so "DOLBY NR B" appears in the display.

Notes

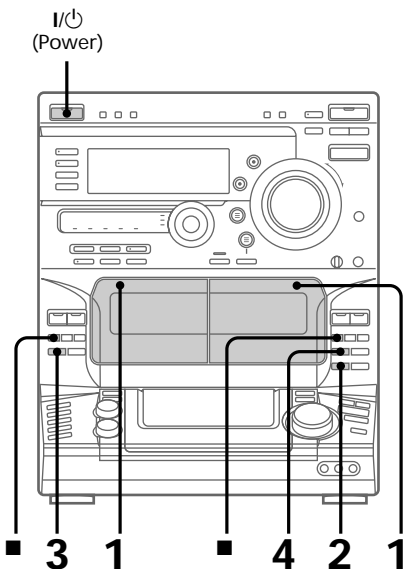
The AMS function may not operate correctly under the following circumstances:

- When the unrecorded space between songs is less than 4 seconds long.
- If completely different information is recorded on the left and right channels.
- When there are continuous sections of extremely low level or low frequency sound (like those of a baritone sax).
- When the system is placed near a TV. (In this case, we recommend moving the system farther away from the TV or turning off the TV.)

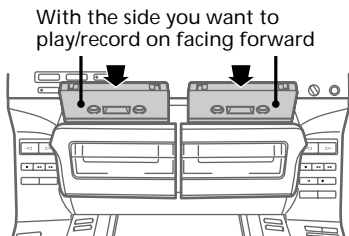
Recording from a tape

— High-speed Dubbing

You can use TYPE I (normal) or TYPE II (CrO₂) tapes. The recording level is automatically adjusted.



- 1 Press **PUSH** ▲ and insert a recorded tape in deck A and a blank tape in deck B.



- 2 Press **H SPEED DUB**.
Deck B stands by for recording.

- 3 Press **DIRECTION** repeatedly until **→** appears to record on one side or **↔** (or **RELAY**) to record on both sides.

- 4 Press **II**.
Dubbing starts.
When dubbing ends, decks A and B automatically stop.

To stop dubbing

Press **■** on deck A or B.

Tips

- When you record on both sides, be sure to start from the front side. If you start from the reverse side, recording stops at the end of the reverse side.
- You don't have to set DOLBY NR, since the tape in deck B is automatically recorded in the same state as the tape in deck A.

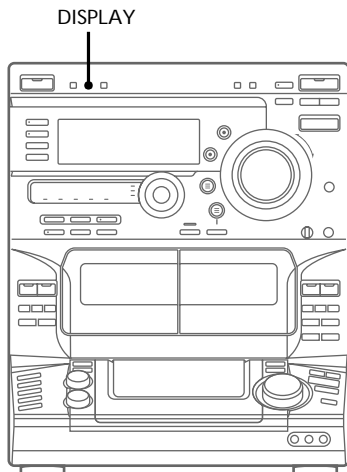
Notes

- If you set DIRECTION to **↔**, when the tapes you use have different lengths, the tape in each deck reverses independently. If you select RELAY, the tapes in both decks reverse together.
- You cannot record the surround effect.

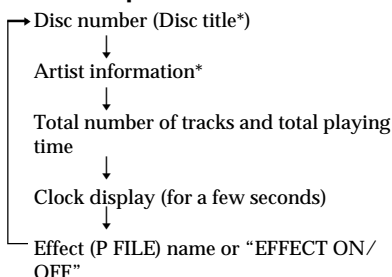
Using the CD display

You can check the remaining time of the current track or that of the CD.

When a CD TEXT disc is loaded, you can check the information stored on the disc, such as the disc titles or artist names. When the system detects CD TEXT discs, "CD TEXT" appears in the display.



In the stop mode



* With CD TEXT discs only. When the disc has more than 20 tracks, information about the track numbers over 20 does not appear.

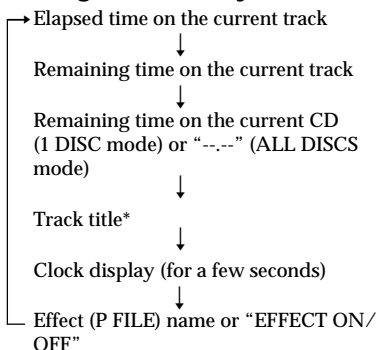
Notes

- The display may not show all the characters depending on the disc.
- This player can only display the disc titles, track titles and artist names from CD TEXT discs. Other information cannot be displayed.
- If a title or name has more than 12 characters, the first 12 characters will light up after the title or name scrolls by in the display.

➔ Press DISPLAY.

Each time you press this button during Normal Play or in stop mode, the display changes as follows:

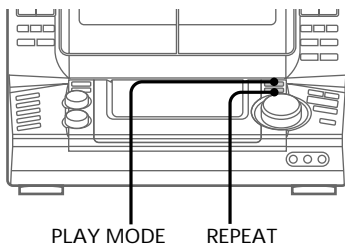
During Normal Play



Playing CD tracks repeatedly

— Repeat Play

This function lets you repeat a single CD or all CDs in Normal Play, Shuffle Play, and Program Play.



➔ Press REPEAT repeatedly during playback until “REPEAT” appears in the display.

Repeat Play starts. The following table describes the various repeat modes.

| To repeat | Press |
|----------------------------------|---|
| All the tracks on the current CD | PLAY MODE repeatedly until “1 DISC” appears in the display. |
| All the tracks on all CDs | PLAY MODE repeatedly until “ALL DISCS” appears in the display. |
| Only one track | REPEAT repeatedly while playing the track you want to repeat until “REPEAT 1” appears in the display. |

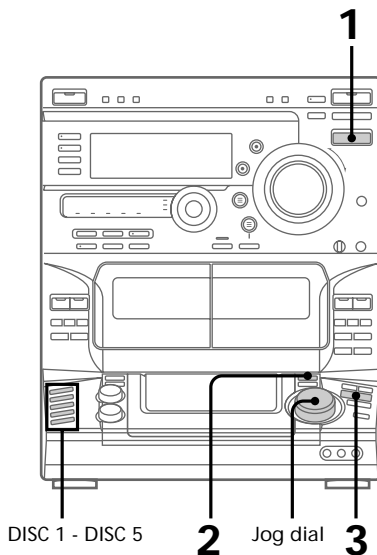
To cancel Repeat Play

Press REPEAT repeatedly until “REPEAT” or “REPEAT 1” disappears from the display.

Playing CD tracks in random order

— Shuffle Play

You can play all the tracks on one or all CDs in random order.



1 Press FUNCTION repeatedly until “CD” appears in the display.

2 Press PLAY MODE repeatedly until “ALL DISCS SHUFFLE” or “1 DISC SHUFFLE” appears in the display. “ALL DISCS SHUFFLE” shuffles the tracks on all the CDs in the player. “1 DISC SHUFFLE” shuffles the tracks on the CD in the playing position.

3 Press ▷||. All the tracks play in random order.

To cancel Shuffle Play

Press PLAY MODE repeatedly until “ALL DISCS SHUFFLE,” “1 DISC SHUFFLE,” or “PROGRAM” disappears from the display. The tracks continue playing in their original order.

To select the desired CD

Press one of the DISC 1 - DISC 5 buttons during 1 Disc Shuffle Play.

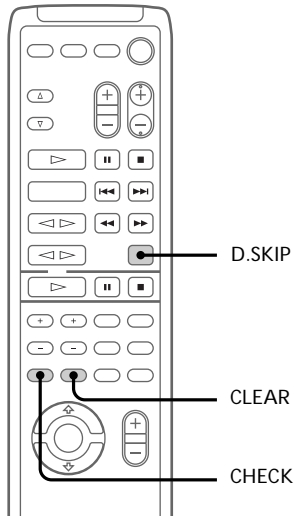
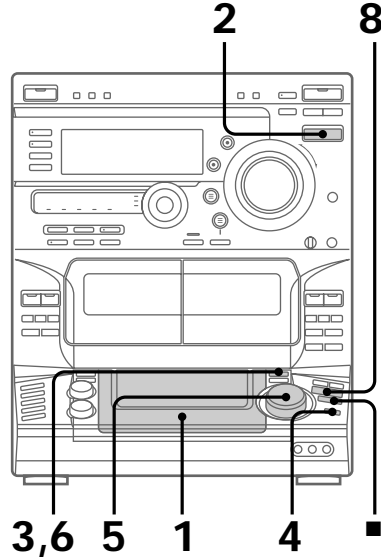
Tips

- You can start Shuffle Play during Normal Play by pressing PLAY MODE repeatedly until “ALL DISCS SHUFFLE” or “1 DISC SHUFFLE” appears in the display.
- To skip a track, turn the jog dial clockwise (or press AMS ►► on the remote).

Programming CD tracks

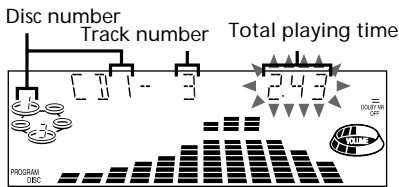
— Program Play

You can create a program of up to 32 tracks from all the CDs in the order you want them to be played.



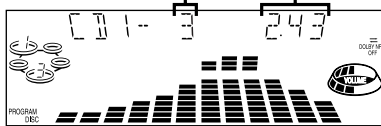
Programming CD tracks (continued)

- 1 Place CDs and close the front cover.
- 2 Press FUNCTION repeatedly until “CD” appears in the display.
- 3 Press PLAY MODE repeatedly until “PROGRAM” appears in the display.
- 4 Press DISC SKIP (or D.SKIP on the remote) to select a CD.
- 5 Turn the jog dial until the desired track appears in the display.



- 6 Press PLAY MODE once.
The track is programmed. First “STEP” and the programmed playing order appear, then the total playing time appears.

The last programmed track Total playing time



- 7 Repeat steps 4 through 6 to program additional tracks.
Skip step 4 to select tracks from the same disc.

- 8 Press ▷||.
All the tracks play in the order you selected.

To cancel Program Play

Press PLAY MODE repeatedly until “PROGRAM,” “ALL DISCS SHUFFLE,” or “1 DISC SHUFFLE” disappears from the display.

| To | Press |
|-------------------------------|---|
| Check the program | CHECK on the remote repeatedly. After the last track, “CHECK END” appears. |
| Clear the last selected track | CLEAR on the remote in stop mode. |
| Clear a specific track | CHECK on the remote repeatedly until the number of the track to be cleared lights up, then press CLEAR. |
| Add a track to the program | 1 Press DISC SKIP (or D.SKIP on the remote) to select a CD. 2 Turn the jog dial to select a track. 3 Press PLAY MODE. |
| Clear the entire program | ■ once in stop mode or twice while playing. |

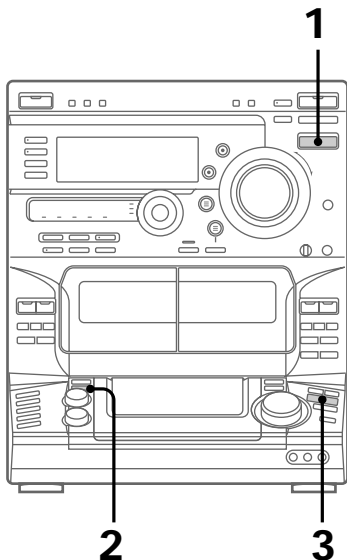
Tips

- The program you created remains in the CD player’s memory even after it has been played. Press ▷|| to play the same program again.
- If “--” appears instead of the total playing time while programming, this means:
 - you have programmed a track numbered over 20, or
 - the total playing time has exceeded 100 minutes.

Playing CDs without interruption

-- *Non-Stop Play*

You can play CDs without pausing between tracks.



1 Press FUNCTION repeatedly until “CD” appears in the display.

2 Press NON-STOP so the indicator on this button lights up.

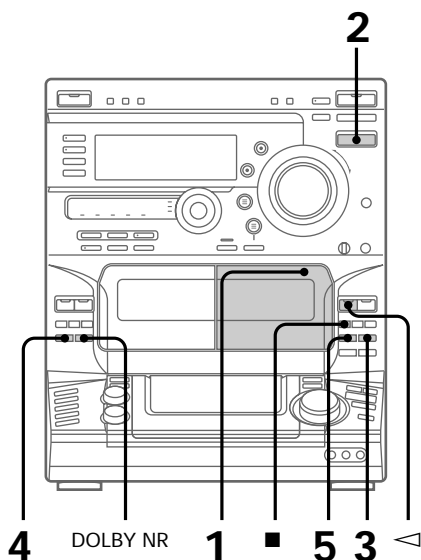
3 Press ▶||.

To cancel Non-Stop Play

Press NON-STOP so the indicator on this button goes off.

Recording on a tape manually

You can record from CDs, tapes, or the radio. For example, you can record just the desired songs or begin recording from the middle of a tape. The recording level is automatically adjusted.



- 1** Insert a blank tape into deck B.
- 2** Press FUNCTION repeatedly until the source you want to record (e.g., CD) appears in the display.
- 3** Press ● REC.
Deck B stands by for recording, and the indicator on the ▷ button (for the front side) lights up green.
- 4** Press DIRECTION repeatedly until ⇄ appears to record on one side or ⇄ (or RELAY) to record on both sides.

- 5** Press ||.
Recording starts.
- 6** Start playing the source to be recorded.

| To | Press |
|-----------------|-------------|
| Stop recording | ■ on deck B |
| Pause recording | |

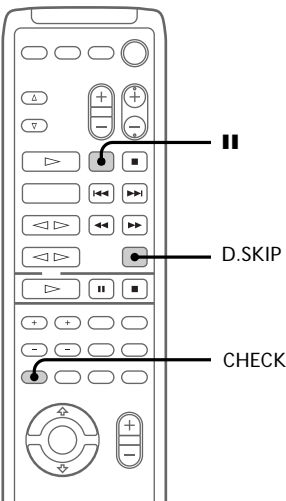
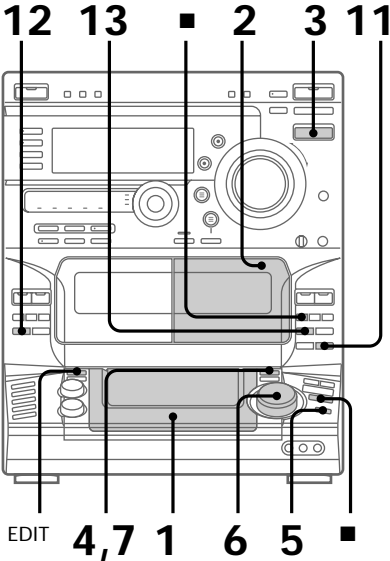
Tips

- When you want to record on the reverse side, press ◀ after pressing ● REC in step 3 so the indicator on the ◀ button (for the reverse side) lights up green.
- When you want to reduce the hiss noise in low-level, high-frequency signals, press DOLBY NR before step 5 so “DOLBY NR B” appears in the display.

Recording CDs by specifying the track order

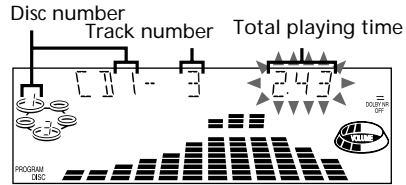
— Program Edit

You can record tracks from all the CDs in the order you want. When programming, make sure the playing times for each side do not exceed the length of one side of the tape.

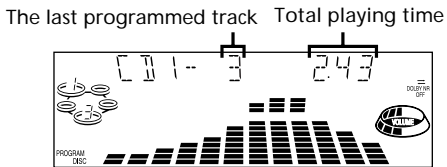


- 1 Place CDs and close the front cover.
- 2 Insert a blank tape into deck B.
- 3 Press FUNCTION repeatedly until “CD” appears in the display.
- 4 Press PLAY MODE repeatedly until “PROGRAM” appears in the display.
- 5 Press DISC SKIP (or D.SKIP on the remote) to select a CD.

- 6 Turn the jog dial until the desired track appears in the display.



- 7 Press PLAY MODE once.
The track is programmed. First “STEP” and the programmed playing order appear, then the total playing time appears.



Recording CDs by specifying the track order (continued)

-
- 8** Repeat steps 5 through 7 to program additional tracks to be recorded on side A.
Skip step 5 to select tracks from the same disc.
-
- 9** Press **II** on the remote to insert a pause at the end of side A.
“P” appears in the display and the total playing time resets to “0.00” in the display.
-
- 10** Repeat steps 5 through 7 to program the tracks to be recorded on side B.
Skip step 5 to select tracks from the same disc.
-
- 11** Press CD SYNC.
Deck B stands by for recording, the CD player stands by for playback, and the indicator on the \triangleright button (for the front side) lights up green.
-
- 12** Press DIRECTION repeatedly until \rightleftarrows appears to record on one side or \leftrightarrow (or RELAY) to record on both sides.
-
- 13** Press **II**.
Recording starts.
-

To stop recording

Press **■** on deck B or on the CD player.

To check the order

Press CHECK on the remote repeatedly. After the last track, “CHECK END” appears.

To cancel Program Edit

Press PLAY MODE repeatedly until “PROGRAM,” “ALL DISCS SHUFFLE,” or “1 DISC SHUFFLE” disappears from the display.

Selecting the tape length automatically

— Tape Select Edit

You can check the most suitable tape length for recording a CD. Note that you cannot use Tape Select Edit for discs containing more than 20 tracks.

➔ After inserting a CD, press EDIT once so “EDIT” flashes.

First the required tape length for the CD in the playing position appears, then the total playing time for sides A and B appears.

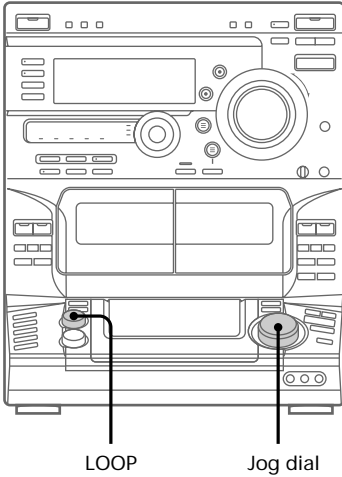
Note

You cannot use this function when Program Play mode has been set. After clearing the entire program, follow the above procedure (see “Clear the entire program” in the table on page 24).

Looping part of a CD

— Loop

With the Loop function, you can repeat part of a CD during playback. This lets you create original recordings.



➔ Press and hold LOOP during playback at the point you want to start the Loop function, and release to resume normal playback.

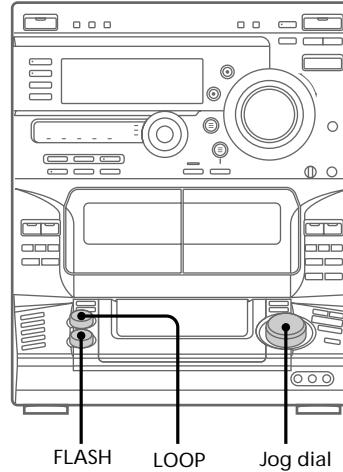
To adjust the loop length

Turn the jog dial while holding LOOP (or press FILE SELECT ▲/▼ while holding LOOP on the remote) to select different loop lengths.

Flashing part of a CD

— Flash

With the Flash function, you can “flash” the CD sound during playback. This lets you create original recordings.



➔ Press and hold FLASH during playback at the point you want to start the Flash function, and release to resume normal playback.

To adjust the flash length

Turn the jog dial while holding FLASH (or press FILE SELECT ▲/▼ while holding FLASH on the remote) to select different flash lengths.

To use LOOP and FLASH together

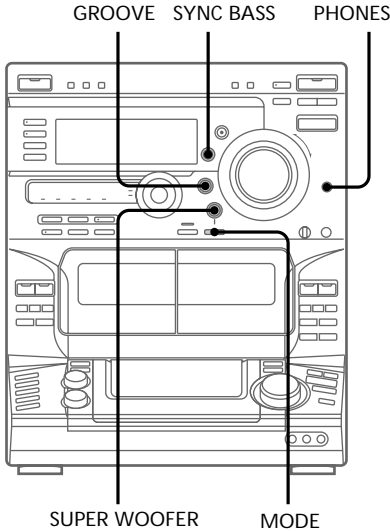
Press and hold both LOOP and FLASH at the same time.

Note

The loop and flash length cannot be adjusted in stop mode. Adjust the loop and flash lengths during playback.

Adjusting the sound

You can create a more powerful sound and listen with headphones.



To reinforce the bass from the super woofer (SUPER WOOFER)

Press SUPER WOOFER.

Each time you press this button, the super woofer level display changes as follows:

SUPER WOOFER FLAT → LOW → HIGH



To select the super woofer mode

Press MODE while the super woofer is on.

Each time you press this button, the super woofer mode display changes as follows:

MOVIE ↔ MUSIC

For a powerful sound (GROOVE)

Press GROOVE.

The volume switches to power mode, the sound effect changes, the super woofer level changes to "HIGH," and the indicator on the GROOVE button lights up. Press GROOVE again to return to the previous volume.

Note

Canceling the Groove mode cancels the equalizer curve and super woofer level.

For the most suitable bass sound (SYNC BASS)

Press SYNC BASS.

The bass frequencies of the music you are listening to are measured and those areas with heavy bass tones are effectively reinforced. The indicator on the SYNC BASS button flashes while measuring. Once measured, the indicator stops flashing and remains lit. Press SYNC BASS again to return to the previous level.

Notes

- The super woofer mode changes to MUSIC in the SYNC BASS (Synchronized Bass) mode.
- If you press MODE in the SYNC BASS mode, this mode is canceled and the super woofer mode changes to MOVIE.
- You can change the super woofer level to LOW or HIGH in the SYNC BASS mode. However, if you change the level to SUPER WOOFER FLAT, the SYNC BASS mode is canceled.

To listen through the headphones

Connect the headphones to the PHONES jack.

No sound will come from the speakers.

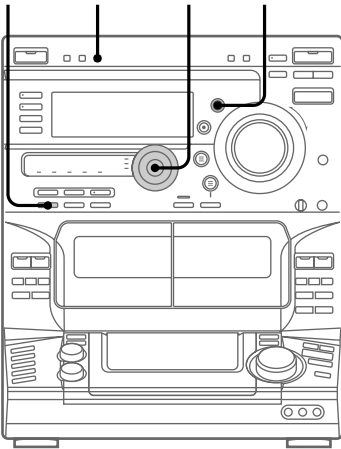
Selecting the audio emphasis

The audio emphasis menu lets you select the sound characteristics according to the music you are listening to.

And you can also enjoy the audio emphasis using the Synchronized Equalizer function. When using this function, the system automatically switches the equalizer according to the genre of the music.

The Personal File function (see “Making a personal audio emphasis file (Personal File)” on page 34) lets you store your own effects.

SPECTRUM EFFECT ANALYZER \uparrow/\downarrow \leftarrow/\rightarrow SYNC EQ



➔ Press \uparrow/\downarrow to select MENU 1 or MENU 2, then press \leftarrow/\rightarrow to select the desired audio emphasis.

See the chart “Music menu options” on this page. The audio emphasis name appears in the display.

When using the remote, press FILE SELECT \uparrow/\downarrow repeatedly until the desired audio emphasis name appears.

To cancel the audio emphasis

Press EFFECT (or FILE SELECT ON/OFF on the remote) repeatedly so the indicator on the EFFECT button goes off.

Music menu options

“SUR (|||||) ” appears if you select an audio emphasis with a surround effect.

| Press | To select | |
|--------------------------|-----------|--------|
| \uparrow/\downarrow | MENU 1 | MENU 2 |
| \leftarrow/\rightarrow | ROCK | MOVIE |
| | POP | GAME |
| | JAZZ | NIGHT |
| | DANCE | PARTY |
| | SALSA | RELAX |

Using the Synchronized Equalizer function

You can set the audio emphasis to change automatically according to the beat and tempo of the music.

➔ Press SYNC EQ.

The indicator on the SYNC EQ button flashes while measuring the beat and tempo of the source. Once measured, the indicator stops flashing and remains lit.

SYNC EQ classifies the music source as follows:

| | |
|---------------|----------------------------|
| Beat Density | LO HI |
| Beat Strength | SMOOTH MEDIUM STRONG |

continued

Selecting the audio emphasis (continued)

To cancel the Synchronized Equalizer function

Press SYNC EQ again so the indicator goes off.

The Synchronized Equalizer function is canceled also when:

- you cancel the audio emphasis
- you reselect the audio emphasis from the music menu
- you activate the surround effect
- you adjust the graphic equalizer
- you sing along (KARAOKE)

Notes

- The Synchronized Equalizer function does not work in KARAOKE mode.
- P FILE MEMORY does not work in this mode.
- The name of classification are not related with the genre of the music source.

Changing the equalizer display

You can change the equalizer display according to the music you are listening to.

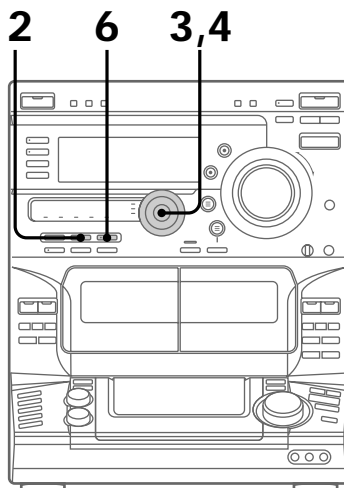
- ➔ Press SPECTRUM ANALYZER.
Every time you press the button, the display changes as follows:
Image pattern ↔ Normal pattern

Adjusting the audio emphasis

You can adjust the audio emphasis using the graphic equalizer and surround effect.

Adjusting the graphic equalizer

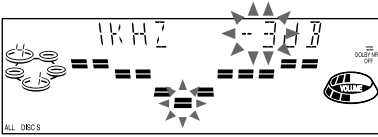
You can adjust the sound by raising or lowering the levels of specific frequency ranges.



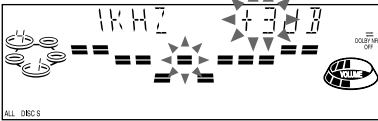
-
- 1** Select the desired basic audio emphasis for your sound (see “Selecting the audio emphasis” on page 31).

-
- 2** Press GEQ CONTROL.
The frequency range appears and the level value flashes in the display.

-
- 3** Press \leftarrow/\rightarrow repeatedly to select a frequency band.



-
- 4** Press \uparrow/\downarrow to adjust the level.



-
- 5** Repeat steps 3 and 4 to adjust the other frequency bands.

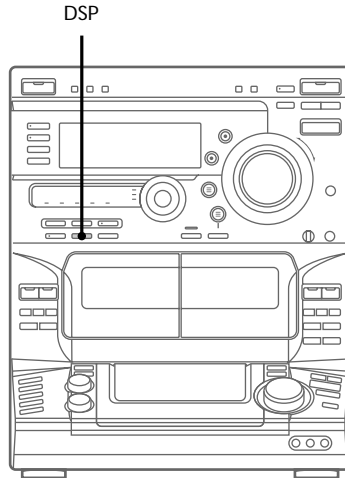
-
- 6** Press ENTER when finished.
-

Note

If you choose another audio emphasis (other than "EFFECT OFF"), the adjusted sound effect is lost. To retain the adjusted sound effect for future use, store it in a personal file (see "Making a personal audio emphasis file" on page 34).

Activating the surround effect

The Surround Menu lets you select the sound characteristics according to the sound you are listening to.



-
- ➔ Press DSP until the desired DSP mode appears in the display.

Each time you press this button, the menu changes as follows:

OFF: Deactivates the DSP mode.

SURROUND: Reproduces stereo sources in surround sound.

HALL: Reproduces the acoustics of a concert hall.

THEATER: Reproduces the acoustics of a movie theater.

ENHANCED THEATER: Reproduces the acoustics of a large movie theater.

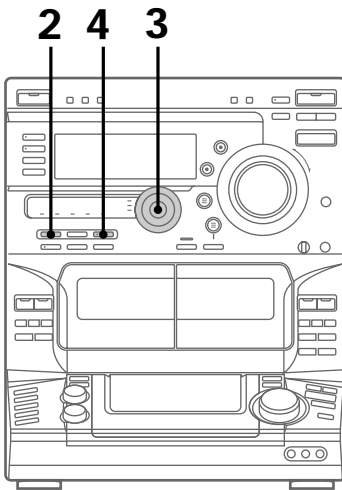
Note

If you choose other sound effects, the surround effect will be canceled. To retain the effect, store it in a personal file (see "Making a personal audio emphasis file" on page 34).

Making a personal audio emphasis file

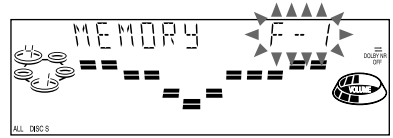
— Personal File

You can create personal files of audio patterns (surround effect and graphic equalizer) and store them in the system's memory. Later, you can call up an audio pattern when playing a favorite tape, CD, or radio program. You can create up to five audio files. Before operation, first select the basic audio emphasis you want for your sound.



-
- 1** Create the desired sound effect by using the graphic equalizer and/or surround effect (see “Adjusting the audio emphasis” on page 32).

-
- 2** Press P FILE MEMORY.
A personal file number appears in the display.



-
- 3** Press ◀/▶ to select the file number (P FILE) where you want to store the sound effect.

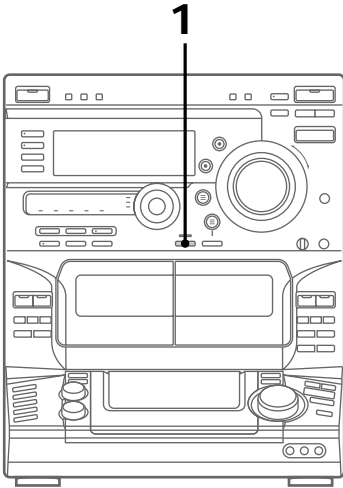
-
- 4** Press ENTER.
The adjusted sound effects are stored under the selected file number. Any settings previously stored at this memory location are erased and replaced by the new settings.

To call up the personal file

Press ▲/▼ repeatedly to display the last selected personal file, then press ◀/▶ repeatedly to select the desired personal file. When using the remote, press FILE SELECT ▲/▼ repeatedly.

Enjoying Dolby Pro Logic Surround sound

You can enjoy the Dolby Pro Logic Surround sound of Dolby Surround-encoded (DOLBY SURROUND) videos and TV programs. Complete the setup and speaker adjustments first (see “Step 2: Setting up the speakers” on page 7).



1 Press PRO LOGIC so the indicator above the PRO LOGIC button lights up.

2 Play a program source.

To turn off the Dolby Pro Logic Surround sound

Press PRO LOGIC so the indicator above the PRO LOGIC button goes off.

Notes

- You cannot use the Dolby Pro Logic Surround sound and Surround Menu functions at the same time.
- When you record the sound, turn off the Dolby Pro Logic Surround sound.
- The audio emphasis setting will be canceled when you turn on the Dolby Pro Logic Surround sound.

Using the Radio Data System (RDS) (For the European model only)

What is the Radio Data System?

The Radio Data System (RDS) is a broadcasting service that allows radio stations to send additional information along with the regular program signal. This tuner offers convenient RDS features, such as monitoring traffic, news, or information programs and locating a station by program type. RDS is available only on FM stations.*

Note

RDS may not work properly if the station you are tuned to is not transmitting the RDS signal properly or if the signal strength is weak.

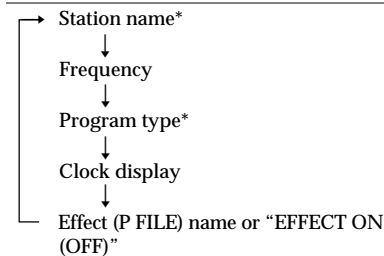
* Not all FM stations provide RDS service, nor do they all provide the same types of services. If you are not familiar with the RDS system, check with your local radio stations for details on RDS services in your area.

Receiving RDS broadcasts

➔ Select a station from the FM band. When you tune in a station that provides RDS services, the station name appears in the display.

To check the RDS information

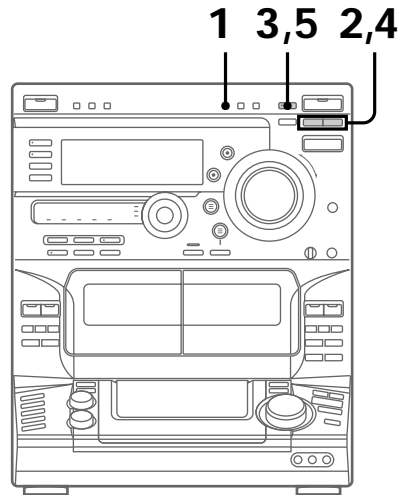
Each time you press DISPLAY, the display changes as follows:



* If an RDS broadcast is not received, the station name and the program type may not appear in the display.

Locating a station by program type (PTY)

You can locate the desired station by selecting a program type. The system tunes in that type of program currently being broadcast from the RDS stations stored in the tuner's preset memory.



- 1 Press PTY while listening to the radio.

- 2 Press TUNING +/- to select the desired program type. See the "List of program types (PTY)" on the following page.

- 3 Press ENTER/NEXT. The system starts searching for the preset RDS stations ("SEARCH" and the selected program type appear alternately in the display). When the tuner receives a program, the preset station number flashes.

4 Press TUNING +/- until the desired preset station number flashes in the display.

5 Press ENTER/NEXT while the preset station number is flashing.

To stop the search while it is in progress

Press PTY.

List of program types (PTY)

NONE

No program type or undefined.

NEWS

News programs.

AFFAIRS

Topical programs that expand on current news.

INFORMATION

Programs about consumer affairs and medical advice.

SPORT

Sports programs.

EDUCATION

Educational programs, such as "how-to" programs and advice.

DRAMA

Radio plays and serials.

CULTURE

Programs about national or regional culture, language, and social concerns.

SCIENCE

Programs about the natural sciences

VARIED

Programs containing celebrity interviews, panel games, and comedy.

POP

Popular music programs.

ROCK

Rock music programs.

EASY MUSIC

Easy listening (middle of the road music).

L.CLASSICAL

Classical music, such as instrumental, vocal, and choral works.

S.CLASSICAL

Performances of major orchestras, chamber music, opera, etc.

OTHER MUSIC

Music, such as rhythm and blues and reggae.

WEATHER

Weather information.

FINANCE

Stock market reports and trading, etc.

CHILDREN

Programs for the young.

SOCIAL

Programs about people and the things that affect them.

RELIGION

Programs of religious content.

PHONE IN

Programs where members of the public express their views by phone or in a public forum.

TRAVEL

Programs about travel. Not for announcements that are located by TP/TA.

LEISURE

Programs on recreational activities such as gardening, fishing, cooking, etc.

JAZZ

Jazz programs.

COUNTRY

Country music programs.

NATION

Programs featuring the popular music of the country or region.

OLDIES

Programs featuring oldies music.

FOLK

Folk music programs.

Using the Radio Data System (RDS) (continued)

DOCUMENTARY

Investigative features.

ALARM TEST

Test signal for emergency broadcasts.

ALARM-ALARM

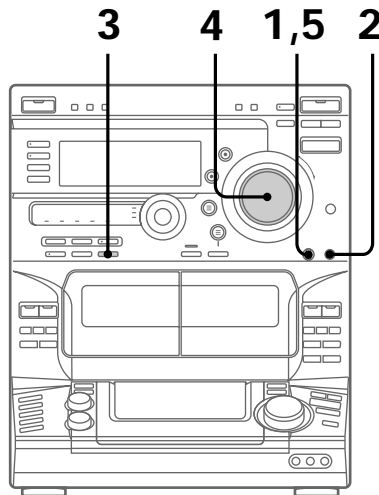
Emergency broadcasts.

Note

“NO PTY” appears when the program you selected is not currently being broadcasted.

Singing along: Karaoke

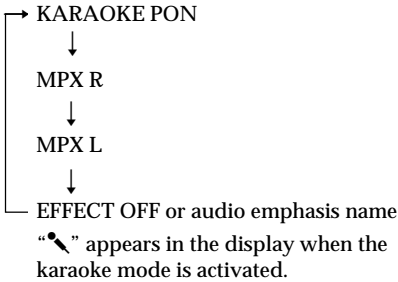
You can sing along with any stereo CD or tape by turning down the singer's voice. You need to connect an optional microphone.



-
- 1** Turn MIC LEVEL to MIN to turn down the microphone level.
 - 2** Connect an optional microphone to the MIX MIC.
-

- 3** Press KARAOKE PON/MPX repeatedly to obtain the desired karaoke effect.

Each time you press this button, the display changes as follows:



| To | Select |
|--|-------------|
| Reduce the singer's voice on a CD or tape | KARAOKE PON |
| Reduce the left channel on a multiplex CD or tape | MPX R |
| Reduce the right channel on a multiplex CD or tape | MPX L |

- 4** Start playing the music and adjust the volume.
- 5** Turn MIC LEVEL to adjust the microphone volume.

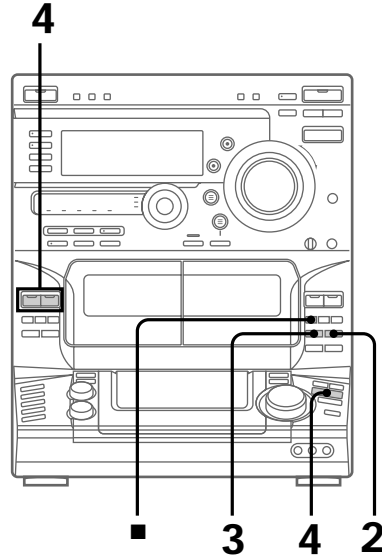
When you are done

Turn MIC LEVEL to MIN and disconnect the microphone from MIX MIC, then press KARAOKE PON/MPX repeatedly until "Ⓜ" disappears from the display.

Note

With some songs, vocals may not be canceled when you select KARAOKE PON.

Mixing and recording sounds



- 1** Prepare the microphone and the karaoke effect. Then, insert a blank tape in deck B.
- 2** Press ● REC.
- 3** Press ■■.
- 4** Press ▷■■ to start playing the CD (or ▷ on deck A to start playing the tape).
Playback starts.
Start singing along with the music.

To stop recording

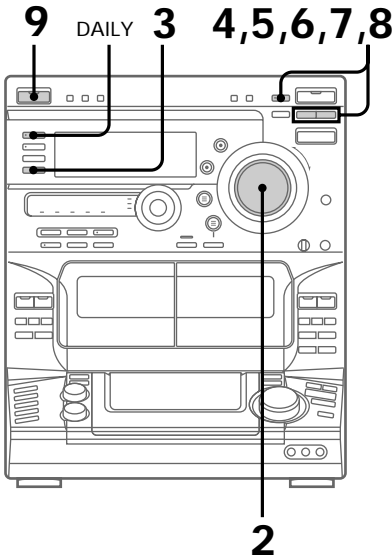
Press ■ on deck B.

Waking up to music

— Daily Timer

You can wake up to music at a preset time every day. Make sure you have set the clock (see “Step 3: Setting the time” on page 9).

The 24-hour system model is used for illustration purposes.

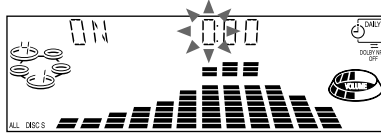


- 1 Prepare the music source you want to play.
 - CD: Insert a CD. To start from a specific track, create a program (see “Programming CD tracks” on page 23).
 - Tape: Insert a tape with the side you want to play facing forward.
 - Radio: Tune in the preset station you want (see “Step 4: Presetting radio stations” on page 10).

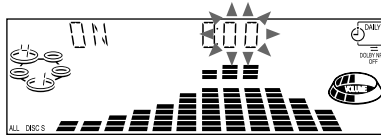
- 2 Turn VOLUME to adjust the volume.

- 3 Press \odot /CLOCK SET.
“SET” appears and “DAILY” flashes in the display.

- 4 Press TUNING +/- to select “DAILY,” then press ENTER/NEXT.
“ON” appears and the hour indication flashes in the display.



- 5 Set the time to start playback.
Press TUNING +/- to set the hour, then press ENTER/NEXT.
The minutes indication flashes.



- Press TUNING +/- to set the minutes, then press ENTER/NEXT.
The hour indication flashes again.

- 6 Set the time to stop playback following the above procedure.

- 7 Press TUNING +/- until the desired music source appears.
The indication changes as follows:
TUNER → CD PLAY → TAPE PLAY

- 8 Press ENTER/NEXT.
The start time, the stop time, and the music source appear in turn before the original display returns.

- 9 Turn off the system.

continued

Waking up to music (continued)

To check the setting

- 1 Press DAILY.
- 2 "TIMER OFF" appears in the display.
- 3 Press DAILY again.

To cancel the timer operation

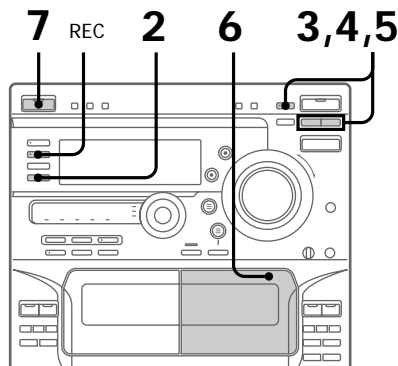
- 1 Press DAILY.
- 2 "TIMER OFF" appears in the display.

Notes

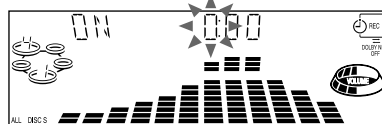
- The system turns on 15 seconds before the preset time.
- You cannot set the timer if the timer on and off times are the same.
- When you set the Sleep Timer, the Daily Timer will not turn on the system until the Sleep Timer turns it off.
- You cannot set the Daily Timer and Timer-recording to be activated at the same time.

Timer-recording radio programs

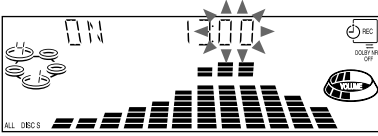
To timer-record, you must preset the radio station (see "Step 4: Presetting radio stations" on page 10) and set the clock (see "Step 3: Setting the time" on page 9) beforehand.



- 1 Tune in the preset radio station (see "Listening to the radio" on page 15).
- 2 Press \odot /CLOCK SET.
"SET" appears and "DAILY" flashes in the display.
- 3 Press TUNING +/- to select "REC," then press ENTER/NEXT.
"ON" appears and the hour indication flashes in the display.



-
- 4** Set the time to start recording.
Press TUNING +/- to set the hour, then press ENTER/NEXT.
The minutes indication flashes.



Press TUNING +/- to set the minutes,
then press ENTER/NEXT.
The hour indication flashes again.

-
- 5** Set the time to stop recording following the above procedure.
The start time, the stop time, the recording source, and the preset station appear in turn before the original display returns.

-
- 6** Insert a blank tape in deck B.

-
- 7** Turn off the system.
When recording starts, the volume level is set to the minimum.
-

To check the setting

- 1 Press REC.
 - 2 "TIMER OFF" appears in the display.
 - 3 Press REC again.
- To change the setting, start over from step 1 on the previous page.

To cancel the timer operation

- 1 Press REC.
- 2 "TIMER OFF" appears in the display.

Notes

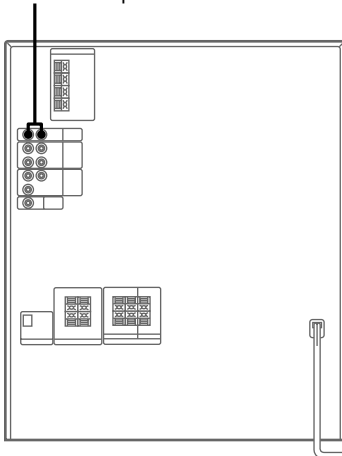
- The system turns on 15 seconds before the preset time.
- If the system is on at the preset time, the Timer recording will not be made.
- You cannot set the timer if the timer on and off times are the same.
- When you set the Sleep Timer, the Timer-recording will not start until the Sleep Timer turns off the system.
- You cannot set the Daily Timer and Timer-recording to be activated at the same time.
- Recording starts from the front side.

Connecting audio components

Connecting a turntable

Be sure to match the color of the plugs and the connectors. To listen to the sound from the connected turntable, press FUNCTION repeatedly until “PHONO” appears. Refer to the instructions included with your turntable for details.

To the audio output of the turntable



Note

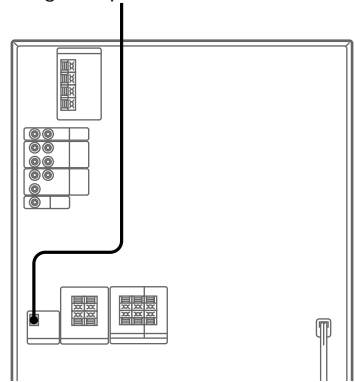
Using the turntable at high volume may cause distortion or howling. This is often caused by the bass sound from the speakers. The bass sound may be picked up by the needle of the turntable, and produce the distortion or howling. To avoid this, do the following:

- 1 Keep some distance between the speakers and the turntable.
- 2 Stop using the surround effect.
- 3 Install the speakers or the turntable on a firm and stable surface.
- 4 Press SUPER WOOFER repeatedly until the indicator on this button goes off.

Connecting an MD deck for digital recording

You can record a CD to an MD digitally by connecting your MD deck using an optical cable. Refer to the instructions included with your MD deck for details.

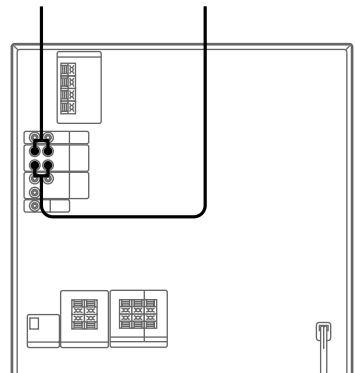
To the digital input of the MD deck



Connecting an MD deck for analog recording

Be sure to match the color of the plugs and the connectors. To listen to the sound of the connected MD deck, press FUNCTION repeatedly until “MD” appears. Refer to the instructions included with your MD deck for details.

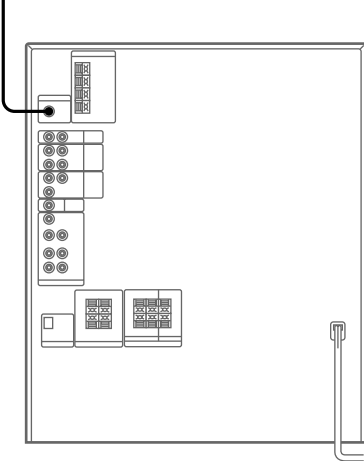
To the audio outputs of the MD deck To the audio inputs of the MD deck



Connecting a subwoofer (LBT-DR8AV/W900AV only)

You can connect an optional subwoofer. Refer to the instructions included with your subwoofer for details.

To the input of the subwoofer



Connecting video components

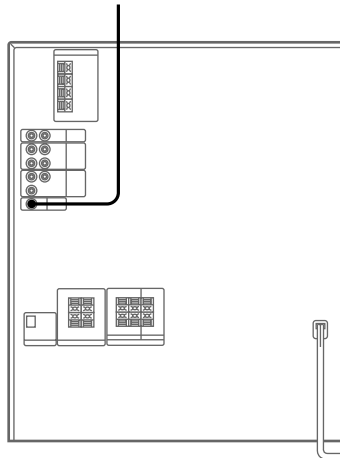
You can connect a VCR, camcorder, or video game to the VIDEO 1 jack on the rear panel and/or the VIDEO2 INPUT jack on the front panel.

You can also connect a DVD player to the DVD INPUT jacks on the rear panel (LBT-DR8AV/W900AV only).

Connecting a TV

To see the picture from the connected components, connect the input jack of your TV to the VIDEO OUT jack with the video connecting cable (not supplied).

To the input jack of the TV

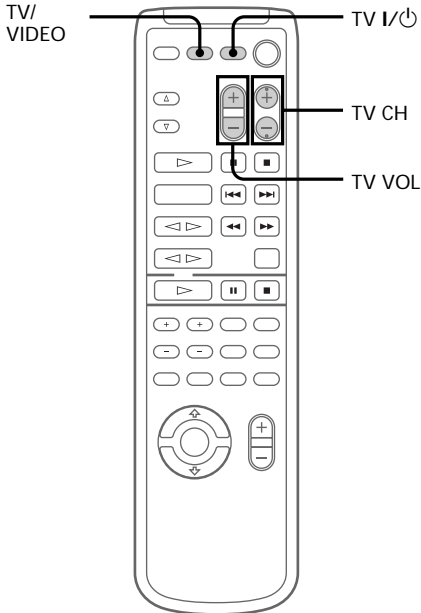


When using a TV

Turn on the TV and select the video input to watch the pictures from this system.

Connecting video components (continued)

You can control Sony TVs using the buttons below.



| By pressing | You can |
|-------------|------------------------------------|
| TV I/VIDEO | Turn on or off the TV |
| TV/VIDEO | Select the input source for the TV |
| TV VOL | Adjust the volume of the TV |
| TV CH | Change the channel of the TV |

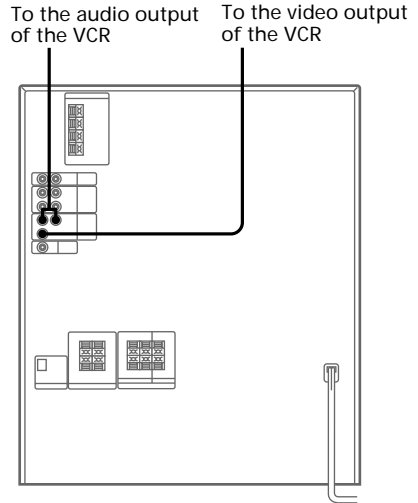
Note

Depending on the TV, you may not be able to control your TV or to use some buttons above.

Connecting a VCR

Be sure to match the color of the plugs and the connectors. To listen to the sound from the connected VCR, press FUNCTION repeatedly until "VIDEO 1" appears.

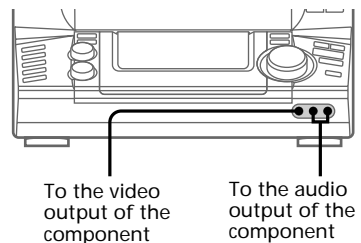
Refer to the instructions included with your VCR for details.



Connecting a camcorder or video game

Be sure to match the color of the plugs and the connectors. To listen to the sound from the connected camcorder or video game, press FUNCTION repeatedly until "VIDEO 2" appears.

Refer to the instructions included with each component for details.



Connecting a DVD player (LBT-DR8AV/W900AV only)

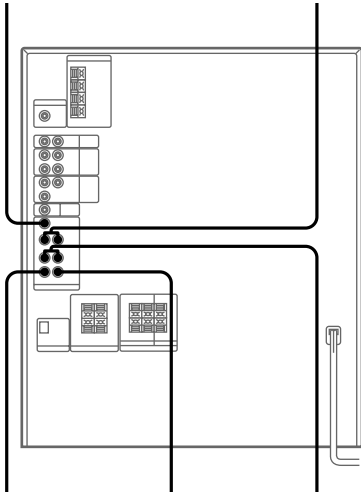
When your DVD player has 5.1 channel analog outputs

Be sure to match the color of the plugs and the connectors. To listen to the sound from the connected DVD player, press DVD 5.1CH so the indicator above the button lights up.

When you listen to a stereo sound track from the DVD player, press DVD 5.1CH repeatedly so the indicator above the button goes off.

To the video output of the DVD player

To the front output of the DVD player



To the center output of the DVD player

To the woofer output of the DVD player

To the rear output of the DVD player

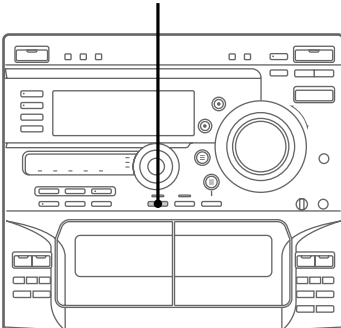
When your DVD player has stereo analog outputs

Be sure to match the color of the plugs and the connectors. Connect the LINE OUT (audio) output jack of your DVD player to the FRONT jacks of DVD INPUT with the audio connecting cable. To listen to the sound from the connected DVD player, press DVD 5.1CH repeatedly so the indicator above the button goes off. At this moment, the DVD (for 2 channel) function is selected.

Notes

- Each time you press DVD 5.1CH, the function changes as follows:
DVD 5.1CH ↔ DVD (2 channel)
(indicator on) (indicator off)
- You cannot enjoy the 5.1 channel surround sound if you connect a DVD player which does not have the 5.1 channel analog outputs.

DVD 5.1CH



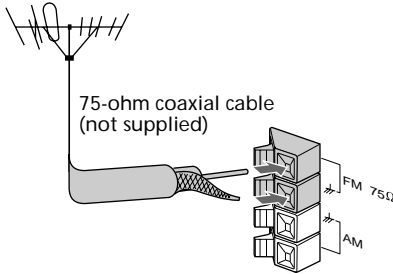
Connecting outdoor antennas

Connect an outdoor antenna to improve the reception. Refer to the instructions of each component.

FM antenna

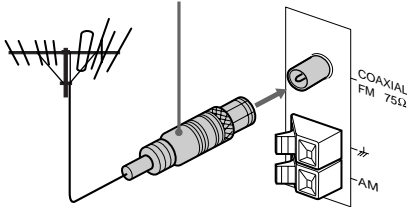
Connect an optional FM outdoor antenna. You can also use the TV antenna instead.

Except for European models



For European models

IEC standard socket (not supplied)

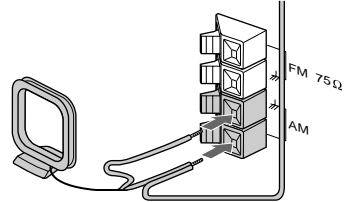


AM antenna

Connect a 6 to 15 meter (20 to 50 feet) insulated wire to the AM antenna terminal. Leave the supplied AM loop antenna connected.

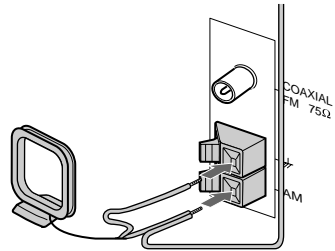
Except for European models

Insulated wire (not supplied)



For European models

Insulated wire (not supplied)



Important

If you connect an outdoor antenna, connect a ground wire to the \perp terminal with the screw clamp. To prevent a gas explosion, do not connect the ground wire to a gas pipe.

Precautions

On operating voltage

Before operating the system, check that the operating voltage of your system is identical with the voltage of your local power supply.

On safety

- The unit is not disconnected from the AC power source (mains) as long as it is connected to the wall outlet, even if the unit itself has been turned off.
- Unplug the system from the wall outlet (mains) if it is not to be used for an extended period of time. To disconnect the cord (mains lead), pull it out by the plug. Never pull the cord itself.
- Should any solid object or liquid fall into the component, unplug the stereo system and have the component checked by qualified personnel before operating it any further.
- The AC power cord must be changed only at a qualified service shop.

On placement

- Place the stereo system in a location with adequate ventilation to prevent heat build-up in the stereo system.
- Do not place the system in an inclined position.
- Do not place the system in locations where it is:
 - Extremely hot or cold
 - Dusty or dirty
 - Very humid
 - Subject to vibrations
 - Subject to direct sunlight

On operation

- If the stereo system is brought directly from a cold to a warm location, or is placed in a very damp room, moisture may condense on the lens inside the CD player. Should this occur, the system will not operate properly. Remove the CD and leave the system turned on for about an hour until the moisture evaporates.
- When you move the system, take out any discs.

If you have any questions or problems concerning your stereo system, please consult your nearest Sony dealer.

Notes on CDs

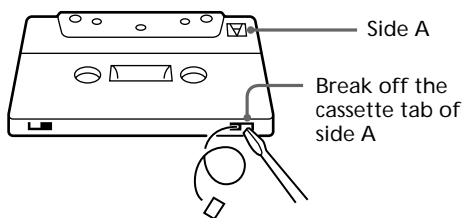
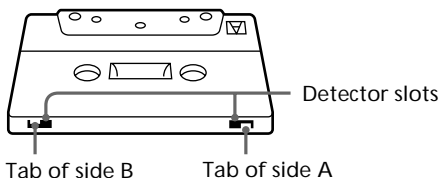
- Before playing, clean the CD with a cleaning cloth. Wipe the CD from the center out.
- Do not use solvents such as benzine, thinner, commercially available cleaners, or anti-static spray intended for vinyl LPs.
- Do not expose the CD to direct sunlight or heat sources such as hot air ducts, nor leave it in a car parked in direct sunlight.

Cleaning the cabinet

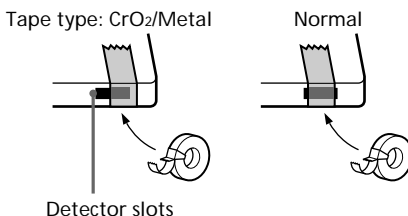
Use a soft cloth slightly moistened with mild detergent solution.

To save a tape permanently

To prevent a tape from being accidentally recorded over, break off the cassette tab from side A or B as illustrated.



If you later want to reuse the tape for recording, cover the broken tab with adhesive tape. However, be careful not to cover the detector slots which allow the tape player to automatically detect the type of tape.



Precautions (continued)

Before placing a cassette in the tape deck

Take up any slack in the tape. Otherwise the tape may get entangled inside the tape deck and become damaged.

When using a tape longer than 90 minutes

The tape is very elastic. Do not frequently change the tape operations such as play, stop, and fast-forwarding, etc. The tape may get entangled in the tape deck.

Cleaning the tape heads

Clean the tape heads after every 10 hours of use.

When the tape heads become dirty

- the sound is distorted
- there is a decrease in sound level
- the sound drops out
- the tape does not erase completely
- the tape does not record

Make sure to clean the tape heads before you start an important recording or after playing an old tape. Use a separately sold dry-type or wet-type cleaning cassette. For details, refer to the instructions of the cleaning cassette.

Demagnetizing the tape heads

Demagnetize the tape heads and the metal parts that have contact with the tape every 20 to 30 hours of use with a separately sold demagnetizing cassette. For details, refer to the instructions of the demagnetizing cassette.

Troubleshooting

If you run into any problem using this stereo system, use the following checklist.

First, check that the power cord is connected firmly and the speakers are connected correctly and firmly.

Should any problem persist, consult your nearest Sony dealer.

General

The display starts flashing as soon as you plug in the power cord even though you haven't turned on the system (demonstration mode).

- Press DISPLAY (for LBT-W900AV/XB800AV) or DEMO (STANDBY) (for other models) while the system is off.

If the system is in the Power Saving mode, press POWER SAVE/DEMO (STANDBY) (for LBT-W900AV/XB800AV).

The demonstration appears automatically the first time you plug in the power cord, or if there is a power outage lasting longer than half a day.

The clock setting/radio presetting is canceled.

- The power cord is disconnected or a power failure occurs for more than half a day.

Redo the following procedures:

- “Step 3: Setting the time” on page 9.
- “Step 4: Presetting radio stations” on page 10.

To set the timer function again, also redo “Waking up to music” on page 41 and “Timer-recording radio programs” on page 42.

There is no sound.

- Turn VOLUME clockwise.
- The headphones are connected.
- Insert only the stripped portion of the speaker cord into the SPEAKER jack. Inserting the vinyl portion of the speaker cord will interfere with the speaker connection.
- The volume level is automatically set to the minimum during the Timer-recording.

There is no microphone sound.

- Turn VOLUME or MIC LEVEL to adjust the microphone volume.
- Make sure the microphone is connected to the MIX MIC jack correctly.

There is severe hum or noise.

- A TV or VCR is placed too close to the stereo system. Move the stereo system away from the TV or VCR.

"0:00" (for European and Brazilian models) or "12:00AM" (for other models) flashes in the display.

- A power interruption occurred. Reset the clock and timer settings.

The timer does not function.

- Set the clock correctly.

DAILY and REC do not appear when you press \odot /CLOCK SET.

- Set the timer correctly.
- Set the clock.

The remote does not function.

- There is an obstacle between the remote and the system.
- The remote is not pointing in the direction of the system's sensor.
- The batteries have run down. Replace the batteries.

There is acoustic feedback.

- Decrease the volume level.
- Move the microphone away from the speakers or change the direction of the microphone.

The color irregularity on a TV screen persists.

- Turn off the TV set once, then turn it on after 15 to 30 minutes. If the color irregularity still persists, place the speakers farther away from the TV set.

Speakers

There is no sound and "POWER OFF" appears in the display.

- Press I/ \odot to turn off the system and check the speaker connections and placement.

Sound comes from only one channel or the left and right volumes are unbalanced.

- Check the speaker connections and placement.

There is no sound from the speakers except the center speaker.

- The source being played back is monaural. Press PRO LOGIC to turn off the Pro Logic mode.

There is no sound from the center speaker.

- Set the CENTER LEVEL to the appropriate level.

There is no sound from the rear speakers.

- Set the REAR LEVEL to the appropriate level.
- The software being played back has limited sound effects. Check the volume with the test tone.

CD Player

The CD tray does not rotate.

- A CD is not placed properly.

A CD will not play.

- The CD is not lying flat in the disc tray.
- The CD is dirty.
- The CD is inserted label side down.
- Moisture condensation has built up. Remove the CD and leave the system turned on for about an hour until the moisture evaporates.

Play does not start from the first track.

- The player is in Program or Shuffle Play mode. Press PLAY MODE repeatedly until "PROGRAM," "ALL DISCS SHUFFLE," or "1 DISC SHUFFLE" disappears from the display.

Tape Deck

The tape does not record.

- No tape is in the cassette holder.
- The tab has been removed from the cassette (see page 49).
- The tape has reeled to the end.

The tape does not record nor play, or there is a decrease in sound level.

- The heads are dirty. Clean them (see page 50).
- The record/playback heads are magnetized. Demagnetize them (see page 50).

continued

Troubleshooting (continued)

The tape does not erase completely.

- The record/playback heads are magnetized. Demagnetize them (see page 50).

There is excessive wow or flutter, or the sound drops out.

- The capstans or pinch rollers are dirty. Clean them (see page 50).

Noise increases or the high frequencies are missing.

- The record/playback heads are magnetized. Demagnetize them (see page 50).
-

Tuner

Severe hum or noise (“TUNED” or “STEREO” flashes in the display).

- Adjust the antenna.
- The signal strength is too weak. Connect an external antenna.

A stereo FM program cannot be received in stereo.

- Press STEREO/MONO so “STEREO” appears in the display.
-

If other problems not described above occur, reset the system as follows:

- 1 Unplug the power cord.
- 2 Plug the power cord back in.
- 3 Press \odot /CLOCK SET, ENTER, and I/\cup at the same time.

The system is reset to the factory settings. All the settings you made, such as the preset stations, clock, and timer are cleared. You should set them again.

Specifications

Amplifier section

LBT-W900AV

Front Speaker:

Continuous RMS power output (Reference)
100 + 100 watts
(8 ohms at 1 kHz, 10% THD)

Total harmonics distortion

Less than 0.07%
(8 ohms at 1 kHz, 50 W)

Center Speaker:

Continuous RMS power output (Reference)
45 watts
(8 ohms at 1 kHz, 10% THD)

Rear Speaker:

Continuous RMS power output (Reference)
40 + 40 watts
(8 ohms at 1 kHz, 10% THD)

LBT-XB800AV

Front Speaker:

DIN power output (Rated)
90 + 90 watts
(8 ohms at 1 kHz, DIN)

Continuous RMS power output (Reference)

120 + 120 watts
(8 ohms at 1 kHz, 10% THD)

Music power output (Reference)

200 + 200 watts
(8 ohms at 1 kHz, 10% THD)

Center Speaker:

DIN power output (Rated)
30 watts
(8 ohms at 1 kHz, DIN)

Continuous RMS power output (Reference)

40 watts
(8 ohms at 1 kHz, 10% THD)

Music power output (Reference)

60 watts
(8 ohms at 1 kHz, 10% THD)

Rear Speaker:

DIN power output (Rated)
15 + 15 watts
(16 ohms at 1 kHz, DIN)

Continuous RMS power output (Reference)

20 + 20 watts
(16 ohms at 1 kHz, 10% THD)

Music power output (Reference)

30 + 30 watts
(16 ohms at 1 kHz, 10% THD)

LBT-DR8AV**Front Speaker:**

The following measured at AC 120/220/240 V,
50 Hz

DIN power output (Rated)

130 + 130 watts
(6 ohms at 1 kHz, DIN)

Continuous RMS power output (Reference)

160 + 160 watts
(6 ohms at 1 kHz, 10%
THD)

Center Speaker:**DIN power output (Rated)**

30 watts
(8 ohms at 1 kHz, DIN)

Continuous RMS power output (Reference)

40 watts
(8 ohms at 1 kHz, 10%
THD)

Rear Speaker:**DIN power output (Rated)**

30 + 30 watts
(8 ohms at 1 kHz, DIN)

Continuous RMS power output (Reference)

40 + 40 watts
(8 ohms at 1 kHz, 10%
THD)

LBT-DR7AV**Front Speaker:**

The following measured at AC 120/220/240 V,
50 Hz

DIN power output (Rated)

110 + 110 watts
(6 ohms at 1 kHz, DIN)

Continuous RMS power output (Reference)

140 + 140 watts
(6 ohms at 1 kHz, 10%
THD)

Center Speaker:**DIN power output (Rated)**

30 watts
(8 ohms at 1 kHz, DIN)

Continuous RMS power output (Reference)

40 watts
(8 ohms at 1 kHz, 10%
THD)

Rear Speaker:**DIN power output (Rated)**

15 + 15 watts
(16 ohms at 1 kHz, DIN)

Continuous RMS power output (Reference)

20 + 20 watts
(16 ohms at 1 kHz, 10%
THD)

Inputs

PHONO IN (phono jacks): sensitivity 3 mV,
impedance 47 kilohms

MIX MIC (phone jack): sensitivity 1 mV,
impedance 10 kilohms

VIDEO1 IN (phono jacks): sensitivity 250 mV,
impedance 47 kilohms

VIDEO2 IN (phono jacks): sensitivity 250 mV,
impedance 47 kilohms

MD IN (phono jacks): sensitivity 450 mV,
impedance 47 kilohms

(LBT-DR8AV/W900AV)

DVD IN (phono jacks): sensitivity 450 mV,
impedance 47 kilohms

Outputs

PHONES (stereo phone jack):
accepts headphones of 8
ohms or more

VIDEO OUT (phono jack):
voltage 250 mV,
impedance 1 kilohm

MD OUT (phono jacks):
voltage 250 mV,
impedance 1 kilohm

(LBT-DR8AV/W900AV)

WOOFER OUT (phono jack):
voltage 1 V, impedance
1 kilohm

FRONT SPEAKER:
(LBT-W900AV/XB800AV) accepts impedance of 8 to
16 ohms

(LBT-DR8AV/DR7AV) accepts impedance of 6 to
16 ohms

CENTER SPEAKER:
accepts impedance of 8 to
16 ohms

REAR SPEAKER:
(LBT-DR8AV/W900AV) accepts impedance of 8 to
16 ohms

(LBT-DR7AV/XB800AV) impedance 16 ohms

Video section**Inputs**

VIDEO1 IN (phono jacks): 1 V p-p, 75 ohms

VIDEO2 IN (phono jacks): 1 V p-p, 75 ohms

Output

VIDEO OUT (phono jack): 1 V p-p, 75 ohms

CD player section

System Compact disc and digital
audio system

Laser Semiconductor laser
($\lambda = 780 \text{ nm}$)

Emission
duration: continuous

Laser output Max. 44.6 μW^*
* This output is the value
measured at a distance of
200 mm from the
objective lens surface on
the Optical Pick-up Block
with 7 mm aperture.

Wavelength 780 – 790 nm

Frequency response 2 Hz – 20 kHz ($\pm 0.5 \text{ dB}$)

Signal-to-noise ratio More than 90 dB

Dynamic range More than 90 dB

CD DIGITAL OUT
(square optical connector jack, rear panel)

Wave length: 660 nm

Output level: -18 dBm

Specifications (continued)

Tape player section

| | |
|-----------------------------------|--|
| Recording system | 4-track 2-channel stereo |
| Frequency response (DOLBY NR OFF) | 40 – 13,000 Hz (± 3 dB), using a Sony TYPE I cassette |
| | 40 – 14,000 Hz (± 3 dB), using a Sony TYPE II cassette |
| Wow and flutter | $\pm 0.15\%$ W. Peak (IEC) 0.1% W. RMS (NAB) $\pm 0.2\%$ W. Peak (DIN) |

Tuner section

FM stereo, FM/AM superheterodyne tuner

FM tuner section

| | |
|--------------------------------|--|
| Tuning range (2 band model) | |
| North American model: | 87.5 – 108.0 MHz (100 kHz step) |
| Other models: | 87.5 – 108.0 MHz (50 kHz step) |
| (3 band model) | |
| FM: | 87.5 – 108.0 MHz (50 kHz step) |
| UKV: | 65.0 – 74.0 MHz (10 kHz step) STEREO PLUS |
| Antenna | FM wire antenna |
| Antenna terminals | 75 ohm unbalanced |
| Intermediate frequency | 10.7 MHz |

AM tuner section

| | |
|------------------------|--|
| Tuning range | |
| North American model: | 530 – 1,710 kHz (with the tuning interval set at 10 kHz) |
| | 531 – 1,710 kHz (with the tuning interval set at 9 kHz) |
| European model: | 531 – 1,602 kHz (with the tuning interval set at 9 kHz) |
| Middle Eastern model: | 531 – 1,602 kHz (with the tuning interval set at 9 kHz) |
| Other models: | 531 – 1,602 kHz (with the tuning interval set at 9 kHz) |
| | 530 – 1,710 kHz (with the tuning interval set at 10 kHz) |
| Antenna | AM loop antenna, External antenna terminals |
| Intermediate frequency | 450 kHz |

Speakers

| | |
|--|--|
| Front speaker: | |
| SS-DR8AV/XB800AV for LBT-DR8AV/XB800AV | |
| Speaker system | 4-way, 4-unit, bass-reflex type, magnetically shielded type |
| Speaker units | |
| Super Woofer: | 20 cm dia., cone type |
| Woofer: | 20 cm dia., cone type |
| Low Tweeter: | 6 cm dia., cone type |
| High Tweeter: | 6 cm dia., cone type |
| Rated impedance: | |
| (SS-DR8AV) | 6 ohms |
| (SS-XB800AV) | 8 ohms |
| Dimensions (w/h/d) | Approx. 290 × 595 × 445 mm (11 ¹ / ₂ × 23 ¹ / ₂ × 17 ⁵ / ₈ in) |
| Mass | Approx. 16 kg (35 lb 8oz.) net per speaker |
| SS-DR7AV/W900AV for LBT-DR7AV/W900AV | |
| Speaker system | 3-way, 3-unit, bass-reflex type, magnetically shielded type |
| Speaker units | |
| Super Woofer: | 17 cm dia., cone type |
| Woofer: | 17 cm dia., cone type |
| Tweeter: | 6 cm dia., cone type |
| Rated impedance: | |
| (SS-DR7AV) | 6 ohms |
| (SS-W900AV) | 8 ohms |
| Dimensions (w/h/d) | Approx. 255 × 505 × 315 mm (10 ¹ / ₈ × 20 × 12 ¹ / ₂ in) |
| Mass | Approx. 9 kg (20 lb) net per speaker |
| Center speaker: | |
| SS-CN99 | |
| Speaker system | Full-range, bass-reflex type, magnetically shielded type |
| Speaker units | |
| Full range | 10 cm dia., cone type |
| Rated impedance | 8 ohms |
| Dimensions (w/h/d) | Approx. 360 × 130 × 170 mm (14 ¹ / ₄ × 5 ¹ / ₈ × 6 ³ / ₄ in) |
| Mass | Approx. 2 kg (4 lb 8 oz.) |
| Rear speaker: | |
| SS-SR99 for LBT-DR7AV/XB800AV | |
| Speaker system | Full-range, bass-reflex type |
| Speaker units | |
| Full range | 10 cm dia., cone type |
| Rated impedance | 16 ohms |
| Dimensions (w/h/d) | Approx. 180 × 130 × 170 mm (7 ¹ / ₈ × 5 ¹ / ₈ × 6 ³ / ₄ in) |
| Mass | Approx. 1.5 kg (3 lb 5 oz.) net per speaker |

SS-SR99D for LBT-DR8AV/W900AV

| | |
|--------------------|---|
| Speaker system | Full-range, bass-reflex type |
| Speaker units | |
| Full range | 10 cm dia., cone type |
| Rated impedance | 8 ohms |
| Dimensions (w/h/d) | Approx. 180 × 130 × 170 mm (7 ¹ / ₈ × 5 ¹ / ₈ × 6 ³ / ₄ in) |
| Mass | Approx. 1.5 kg (3 lb 5 oz.) |

General**Power requirements**

| | |
|-----------------------|---|
| North American model: | 120 V AC, 60 Hz |
| European model: | 230 V AC, 50/60 Hz |
| Mexican model: | 120 V AC, 50/60 Hz |
| Australian model: | 230 – 240 V AC, 50/60 Hz |
| Other models: | 120 V, 220 V, or 230 – 240 V AC, 50/60 Hz Adjustable with voltage selector |

Power consumption

| | |
|---------------|-----------|
| (LBT-DR8AV) | 260 watts |
| (LBT-DR7AV) | 205 watts |
| (LBT-W900AV) | 190 watts |
| (LBT-XB800AV) | 175 watts |

| | |
|--------------------|--|
| Dimensions (w/h/d) | Approx. 356 × 423 × 446 mm (14 ¹ / ₈ × 16 ³ / ₄ × 17 ³ / ₈ in) incl. projecting parts and controls |
|--------------------|--|

Mass

| | |
|---------------|--------------------------------|
| (LBT-DR8AV) | Approx. 15.0 kg (33 lb 2 oz.) |
| (LBT-DR7AV) | Approx. 14.5 kg (32 lb) |
| (LBT-W900AV) | Approx. 13.5 kg (29 lb 13 oz.) |
| (LBT-XB800AV) | Approx. 14.0 kg (30 lb 14 oz.) |

Supplied accessories

AM loop antenna (1)
Remote RM-SR11AV (1)
R6 (size AA) batteries (2)
FM wire antenna (1)
Speaker cords (2)

Design and specifications are subject to change without notice.

Index

A

- Adjusting
 - the audio emphasis 32
 - the sound 30
 - the volume 14, 16, 19
- AMS 14, 18
- Antennas 5, 48
- Audio emphasis 31, 32
- Automatic Source Selection 14, 16, 19

B

- Batteries 6

C

- CD player 13, 21
- CD Synchro Recording 14
- Clock setting 9
- Connecting. *See* Hooking up

D, E

- Daily timer 41
- Display 21, 32
- Dolby Pro Logic Surround 35
- DSP 33
- Dubbing 20
- DVD 47

F, G

- Flash 29

H, I, J

- Hooking up
 - optional components 44
 - speakers 5
 - the antennas 5, 48
 - the power 6
 - the system 4

K

- Karaoke 38
 - to reduce the vocals (KARAOKE PON) 39
 - to sing along with a multiplex CD or tape (MPX R/MPX L) 39

L

- Loop 29

M

- Microphone
 - mixing 39
- Mixing sound 39

N

- Normal Play 13
- Non-Stop Play 25

O

- One Touch Play 14, 16, 19

P, Q

- Personal File 34
- Playing
 - a CD 13
 - a preset radio station 15
 - a tape 18
 - tracks in random order (Shuffle Play) 22
 - tracks in the desired order (Program Play) 23
 - tracks repeatedly (Repeat Play) 22
 - without interruption 25
- Presetting radio stations 10
- Preset tuning 15
- Program Edit 27
- Program Play 23
- Protecting recordings 49
- PTY* 36

R

- Radio stations
 - presetting 10
 - tuning in 15
- RDS* 36
- Recording
 - a CD 14
 - a radio program 17
 - another tape 20
 - CDs by specifying the track order 27
 - on a tape manually 26
 - selecting tape length automatically 28
 - timer-recording 42
- Repeat Play 22
- Resetting the system 52

S

- Saving power 11
- Saving recordings 49
- Setting the time 9
- Shuffle Play 22
- Sleep Timer 40
- Sound adjustment 30
- Speakers 5, 7
- Surround effect 33
- Surround menu 33
- SYNC BASS 30
- SYNC EQ 31

T, U, V, W, X, Y, Z

- Tape Select Edit 28
- Test tone 8
- Timer
 - falling asleep to music 40
 - timer-recording 42
 - waking up to music 41
- Troubleshooting 50
- Tuner 10, 15, 17
- Tuning interval 11
- Turntable 44

* For the European model only