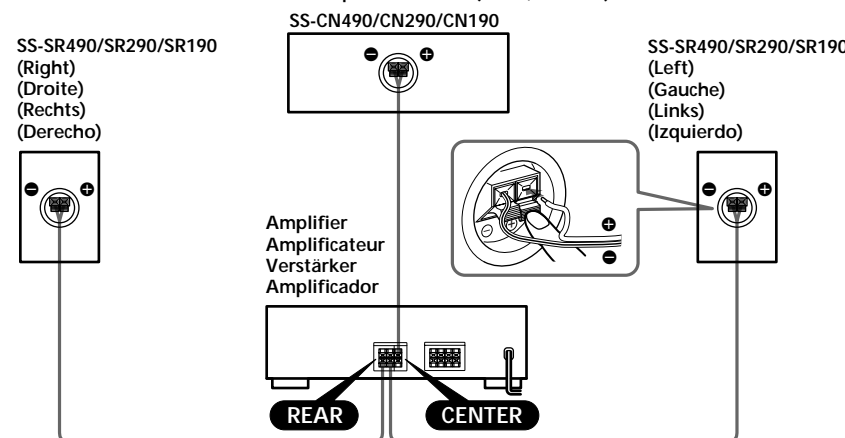


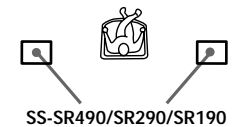
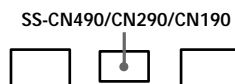
Speaker System

SS-CR490/CR290/CR190

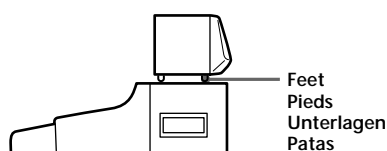
- When connecting to speaker terminals (REAR, CENTER)
- Connexion à des bornes d'enceintes (REAR, CENTER)
- Anschließen an die Lautsprecheranschlüsse (REAR, CENTER)
- Para realizar la conexión a los terminales para altavoces (REAR, CENTER)



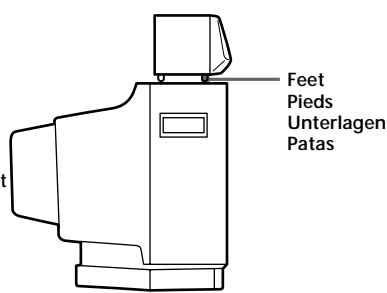
- To use the systems as surround speaker system
- Utilisation comme système d'enceintes surround
- Se setzen Sie die Lautsprecher als Surround-Lautsprechersystem ein
- Para utilizar el sistema como altavoces perimétricos



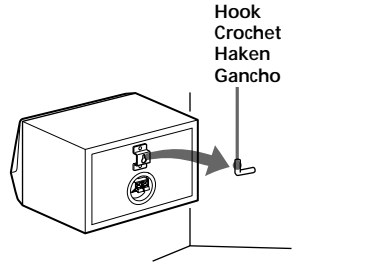
- To put the SS-CN490/CN290/CN190 on your TV set, attach a foot (supplied) to each bottom corner of the speaker, and make sure that the speaker is completely flat on top of the TV.



- Pour installer le système SS-CN490/CN290/CN190 sur votre téléviseur, attachez un pied (fourni) dans chaque coin sous l'enceinte, et vérifiez que l'enceinte est bien à plat sur le dessus du téléviseur.
- Wenn Sie den SS-CN490/CN290/CN190 auf das Fernsehgerät stellen wollen, bringen Sie an jeder Ecke an der Unterseite des Lautsprechers eine Unterlage an (mitgeliefert). Achten Sie darauf, daß der Lautsprecher ganz eben auf dem Fernsehgerät steht.
- Para colocar el SS-CN490/CN290/CN190 sobre su televisor, fíjese una pata (suministrada) a cada esquina inferior del sistema, y cerciórese de que haya quedado completamente nivelado sobre el televisor.



- To hang SS-SR490/SR290/SR190 with a hook on the wall
- Suspension du système SS-SR490/SR290/SR190 sur un crochet au mur
- So hängen Sie den SS-SR490/SR290/SR190 mit einem Haken an die Wand
- Para colgar el SS-SR490/SR290/SR190 con un gancho en una pared



English

Precautions

- Avoid driving the speaker system continuously with a wattage exceeding the maximum input power of this speaker system.
- Before connecting, turn off the amplifier to avoid damaging the speaker system.
- If the +/- connection is incorrect, the bass tones seem to be missing and the position of the instruments becomes obscure.
- The speaker grille on the SS-CN290/SR290 and SS-CN190/SR190 cannot be removed. Do not attempt to remove the grille on the SS-CN290/SR290 and SS-CN190/SR190. If you try to remove it, you may damage the speaker.

In case color irregularity is observed on nearby TV screen
With the magnetically shielded type of the speaker system, the speakers can be installed near a TV set. However color irregularity may still be observed on the TV screen depending on the type of your TV set.

- If color irregularity is observed...
→ Turn off the TV set once, then turn it on after 15 to 30 minutes.
- If color irregularity is observed again...
→ Place the speakers more apart from the TV set.

Specifications

SS-CR490

SS-CN490 (Center speaker)
Speaker system
2-way, magnetically shielded
Speaker units
Woofer: 12 cm, cone type x 2
Tweeter: 2.5 cm, balance drive type
Enclosure type
Bass reflex
Rated impedance
8 ohms
Power handling capacity
Maximum input power: 150 watts
Sensitivity level
89 dB (1 W, 1 m)
Frequency range
85 Hz - 20,000 Hz
Dimensions (w/h/d)
Approx. 430 x 150 x 190 mm, not including front grill
Mass
Approx. 4.5 kg
Supplied accessories
Speaker cord 2.5 m (1)
Foot (4)

SS-SR490 (Rear speaker)
Speaker system
2-way, magnetically shielded
Speaker units
Full range: 12 cm, cone type
Tweeter: 2.5 cm, balance drive type
Enclosure type
Acoustic suspension
Rated impedance
8 ohms
Power handling capacity
Maximum input power: 120 watts
Sensitivity level
86 dB (1 W, 1 m)
Frequency range
85 Hz - 20,000 Hz
Dimensions (w/h/d)
Approx. 170 x 250 x 100 mm, not including front grill
Mass
Approx. 2 kg
Supplied accessory
Speaker cord 10 m (2)

SS-SR190 (Rear speaker)
Speaker system
Full range, magnetically shielded
Speaker unit
10 cm, cone type
Enclosure type
Bass reflex
Rated impedance
8 ohms
Power handling capacity
Maximum input power: 80 watts
Sensitivity level
85 dB (1 W, 1 m)
Frequency range
85 Hz - 20,000 Hz
Dimensions (w/h/d)
Approx. 177 x 126 x 120 mm, not including front grill
Mass
Approx. 1.2 kg
Supplied accessory
Speaker cord 10 m (2)

SS-CR290
SS-CN290 (Center speaker)
Speaker system
2-way, magnetically shielded
Speaker units
Woofer: 12 cm, cone type x 2
Tweeter: 2.5 cm, balance drive type
Enclosure type
Bass reflex
Rated impedance
8 ohms
Power handling capacity
Maximum input power: 120 watts
Sensitivity level
86 dB (1 W, 1 m)
Frequency range
85 Hz - 20,000 Hz
Dimensions (w/h/d)
Approx. 177 x 126 x 120 mm, not including front grill
Mass
Approx. 2 kg
Supplied accessories
Speaker cord 2.5 m (1)
Foot (4)

SS-SR490 (Rear speaker)
Speaker system
2-way, magnetically shielded
Speaker units
Full range: 12 cm, cone type
Tweeter: 2.5 cm, balance drive type
Enclosure type
Acoustic suspension
Rated impedance
8 ohms
Power handling capacity
Maximum input power: 120 watts
Sensitivity level
86 dB (1 W, 1 m)
Frequency range
85 Hz - 20,000 Hz
Dimensions (w/h/d)
Approx. 170 x 250 x 100 mm, not including front grill
Mass
Approx. 2 kg
Supplied accessory
Speaker cord 10 m (2)

SS-SR190 (Rear speaker)
Speaker system
Full range, magnetically shielded
Speaker unit
10 cm, cone type
Enclosure type
Bass reflex
Rated impedance
8 ohms
Power handling capacity
Maximum input power: 80 watts
Sensitivity level
85 dB (1 W, 1 m)
Frequency range
85 Hz - 20,000 Hz
Dimensions (w/h/d)
Approx. 177 x 126 x 120 mm, not including front grill
Mass
Approx. 1.2 kg
Supplied accessory
Speaker cord 10 m (2)

SS-CR290
SS-CN290 (Center speaker)
Speaker system
2-way, magnetically shielded
Speaker units
Woofer: 12 cm, cone type x 2
Tweeter: 2.5 cm, balance drive type
Enclosure type
Bass reflex
Rated impedance
8 ohms
Power handling capacity
Maximum input power: 120 watts
Sensitivity level
86 dB (1 W, 1 m)
Frequency range
85 Hz - 20,000 Hz
Dimensions (w/h/d)
Approx. 177 x 126 x 120 mm, not including front grill
Mass
Approx. 2 kg
Supplied accessories
Speaker cord 2.5 m (1)
Foot (4)

SS-SR490 (Rear speaker)
Speaker system
2-way, magnetically shielded
Speaker units
Full range: 12 cm, cone type
Tweeter: 2.5 cm, balance drive type
Enclosure type
Acoustic suspension
Rated impedance
8 ohms
Power handling capacity
Maximum input power: 120 watts
Sensitivity level
86 dB (1 W, 1 m)
Frequency range
85 Hz - 20,000 Hz
Dimensions (w/h/d)
Approx. 170 x 250 x 100 mm, not including front grill
Mass
Approx. 2 kg
Supplied accessory
Speaker cord 10 m (2)

SS-SR190 (Rear speaker)
Speaker system
Full range, magnetically shielded
Speaker unit
10 cm, cone type
Enclosure type
Bass reflex
Rated impedance
8 ohms
Power handling capacity
Maximum input power: 80 watts
Sensitivity level
85 dB (1 W, 1 m)
Frequency range
85 Hz - 20,000 Hz
Dimensions (w/h/d)
Approx. 177 x 126 x 120 mm, not including front grill
Mass
Approx. 1.2 kg
Supplied accessory
Speaker cord 10 m (2)

SS-CR290
SS-CN290 (Center speaker)
Speaker system
2-way, magnetically shielded
Speaker units
Woofer: 12 cm, cone type x 2
Tweeter: 2.5 cm, balance drive type
Enclosure type
Bass reflex
Rated impedance
8 ohms
Power handling capacity
Maximum input power: 120 watts
Sensitivity level
86 dB (1 W, 1 m)
Frequency range
85 Hz - 20,000 Hz
Dimensions (w/h/d)
Approx. 177 x 126 x 120 mm, not including front grill
Mass
Approx. 2 kg
Supplied accessories
Speaker cord 2.5 m (1)
Foot (4)

SS-SR490 (Rear speaker)
Speaker system
2-way, magnetically shielded
Speaker units
Full range: 12 cm, cone type
Tweeter: 2.5 cm, balance drive type
Enclosure type
Acoustic suspension
Rated impedance
8 ohms
Power handling capacity
Maximum input power: 120 watts
Sensitivity level
86 dB (1 W, 1 m)
Frequency range
85 Hz - 20,000 Hz
Dimensions (w/h/d)
Approx. 170 x 250 x 100 mm, not including front grill
Mass
Approx. 2 kg
Supplied accessory
Speaker cord 10 m (2)

SS-SR190 (Rear speaker)
Speaker system
Full range, magnetically shielded
Speaker unit
10 cm, cone type
Enclosure type
Bass reflex
Rated impedance
8 ohms
Power handling capacity
Maximum input power: 80 watts
Sensitivity level
85 dB (1 W, 1 m)
Frequency range
85 Hz - 20,000 Hz
Dimensions (w/h/d)
Approx. 177 x 126 x 120 mm, not including front grill
Mass
Approx. 1.2 kg
Supplied accessory
Speaker cord 10 m (2)

Sensitivity level
89 dB (1 W, 1 m)
Frequency range
85 Hz - 20,000 Hz
Dimensions (w/h/d)
Approx. 380 x 150 x 168 mm, not including front grill
Mass
Approx. 3.5 kg
Supplied accessories
Speaker cord 2.5 m (1)
Foot (4)

SS-SR290 (Rear speaker)
Speaker system
Full range, magnetically shielded
Speaker unit
12 cm, cone type
Enclosure type
Bass reflex
Rated impedance
8 ohms
Power handling capacity
Maximum input power: 100 watts
Sensitivity level
86 dB (1 W, 1 m)
Frequency range
85 Hz - 20,000 Hz
Dimensions (w/h/d)
Approx. 190 x 150 x 168 mm, not including front grill
Mass
Approx. 1.5 kg
Supplied accessory
Speaker cord 10 m (2)

SS-CR190
SS-CN190 (Center speaker)
Speaker system
Full range, magnetically shielded
Speaker units
10 cm, cone type x 2
Enclosure type
Bass reflex
Rated impedance
8 ohms
Power handling capacity
Maximum input power: 150 watts
Sensitivity level
89 dB (1 W, 1 m)
Frequency range
85 Hz - 20,000 Hz
Dimensions (w/h/d)
Approx. 430 x 150 x 190 mm, not including front grill
Mass
Approx. 4.5 kg
Supplied accessories
Speaker cord 2.5 m (1)
Foot (4)

SS-SR490 (Rear speaker)
Speaker system
2-way, magnetically shielded
Speaker units
Full range: 12 cm, cone type
Tweeter: 2.5 cm, balance drive type
Enclosure type
Acoustic suspension
Rated impedance
8 ohms
Power handling capacity
Maximum input power: 120 watts
Sensitivity level
86 dB (1 W, 1 m)
Frequency range
85 Hz - 20,000 Hz
Dimensions (w/h/d)
Approx. 170 x 250 x 100 mm, not including front grill
Mass
Approx. 2 kg
Supplied accessory
Speaker cord 10 m (2)

SS-SR190 (Rear speaker)
Speaker system
Full range, magnetically shielded
Speaker unit
10 cm, cone type
Enclosure type
Bass reflex
Rated impedance
8 ohms
Power handling capacity
Maximum input power: 80 watts
Sensitivity level
85 dB (1 W, 1 m)
Frequency range
85 Hz - 20,000 Hz
Dimensions (w/h/d)
Approx. 177 x 126 x 120 mm, not including front grill
Mass
Approx. 1.2 kg
Supplied accessory
Speaker cord 10 m (2)

SS-CR290
SS-CN290 (Center speaker)
Speaker system
2-way, magnetically shielded
Speaker units
Woofer: 12 cm, cone type x 2
Tweeter: 2.5 cm, balance drive type
Enclosure type
Bass reflex
Rated impedance
8 ohms
Power handling capacity
Maximum input power: 120 watts
Sensitivity level
86 dB (1 W, 1 m)
Frequency range
85 Hz - 20,000 Hz
Dimensions (w/h/d)
Approx. 177 x 126 x 120 mm, not including front grill
Mass
Approx. 2 kg
Supplied accessories
Speaker cord 2.5 m (1)
Foot (4)

SS-SR490 (Rear speaker)
Speaker system
2-way, magnetically shielded
Speaker units
Full range: 12 cm, cone type
Tweeter: 2.5 cm, balance drive type
Enclosure type
Acoustic suspension
Rated impedance
8 ohms
Power handling capacity
Maximum input power: 120 watts
Sensitivity level
86 dB (1 W, 1 m)
Frequency range
85 Hz - 20,000 Hz
Dimensions (w/h/d)
Approx. 170 x 250 x 100 mm, not including front grill
Mass
Approx. 2 kg
Supplied accessory
Speaker cord 10 m (2)

SS-SR190 (Rear speaker)
Speaker system
Full range, magnetically shielded
Speaker unit
10 cm, cone type
Enclosure type
Bass reflex
Rated impedance
8 ohms
Power handling capacity
Maximum input power: 80 watts
Sensitivity level
85 dB (1 W, 1 m)
Frequency range
85 Hz - 20,000 Hz
Dimensions (w/h/d)
Approx. 177 x 126 x 120 mm, not including front grill
Mass
Approx. 1.2 kg
Supplied accessory
Speaker cord 10 m (2)

SS-CR290
SS-CN290 (Center speaker)
Speaker system
2-way, magnetically shielded
Speaker units
Woofer: 12 cm, cone type x 2
Tweeter: 2.5 cm, balance drive type
Enclosure type
Bass reflex
Rated impedance
8 ohms
Power handling capacity
Maximum input power: 120 watts
Sensitivity level
86 dB (1 W, 1 m)
Frequency range
85 Hz - 20,000 Hz
Dimensions (w/h/d)
Approx. 177 x 126 x 120 mm, not including front grill
Mass
Approx. 2 kg
Supplied accessories
Speaker cord 2.5 m (1)
Foot (4)

SS-SR490 (Rear speaker)
Speaker system
2-way, magnetically shielded
Speaker units
Full range: 12 cm, cone type
Tweeter: 2.5 cm, balance drive type
Enclosure type
Acoustic suspension
Rated impedance
8 ohms
Power handling capacity
Maximum input power: 120 watts
Sensitivity level
86 dB (1 W, 1 m)
Frequency range
85 Hz - 20,000 Hz
Dimensions (w/h/d)
Approx. 170 x 250 x 100 mm, not including front grill
Mass
Approx. 2 kg
Supplied accessory
Speaker cord 10 m (2)

SS-SR190 (Rear speaker)
Speaker system
Full range, magnetically shielded
Speaker unit
10 cm, cone type
Enclosure type
Bass reflex
Rated impedance
8 ohms
Power handling capacity
Maximum input power: 80 watts
Sensitivity level
85 dB (1 W, 1 m)
Frequency range
85 Hz - 20,000 Hz
Dimensions (w/h/d)
Approx. 177 x 126 x 120 mm, not including front grill
Mass
Approx. 1.2 kg
Supplied accessory
Speaker cord 10 m (2)

SS-CR290
SS-CN290 (Center speaker)
Speaker system
2-way, magnetically shielded
Speaker units
Woofer: 12 cm, cone type x 2
Tweeter: 2.5 cm, balance drive type
Enclosure type
Bass reflex
Rated impedance
8 ohms
Power handling capacity
Maximum input power: 120 watts
Sensitivity level
86 dB (1 W, 1 m)
Frequency range
85 Hz - 20,000 Hz
Dimensions (w/h/d)
Approx. 177 x 126 x 120 mm, not including front grill
Mass
Approx. 2 kg
Supplied accessories
Speaker cord 2.5 m (1)
Foot (4)

SS-SR490 (Rear speaker)
Speaker system
2-way, magnetically shielded
Speaker units
Full range: 12 cm, cone type
Tweeter: 2.5 cm, balance drive type
Enclosure type
Acoustic suspension
Rated impedance
8 ohms
Power handling capacity
Maximum input power: 120 watts
Sensitivity level
86 dB (1 W, 1 m)
Frequency range
85 Hz - 20,000 Hz
Dimensions (w/h/d)
Approx. 170 x 250 x 100 mm, not including front grill
Mass
Approx. 2 kg
Supplied accessory
Speaker cord 10 m (2)

SS-SR190 (Rear speaker)
Speaker system
Full range, magnetically shielded
Speaker unit
10 cm, cone type
Enclosure type
Bass reflex
Rated impedance
8 ohms
Power handling capacity
Maximum input power: 80 watts
Sensitivity level
85 dB (1 W, 1 m)
Frequency range
85 Hz - 20,000 Hz
Dimensions (w/h/d)
Approx. 177 x 126 x 120 mm, not including front grill
Mass
Approx. 1.2 kg
Supplied accessory
Speaker cord 10 m (2)

SS-CR290
SS-CN290 (Center speaker)
Speaker system
2-way, magnetically shielded
Speaker units
Woofer: 12 cm, cone type x 2
Tweeter: 2.5 cm, balance drive type
Enclosure type
Bass reflex
Rated impedance
8 ohms
Power handling capacity
Maximum input power: 120 watts
Sensitivity level
86 dB (1 W, 1 m)
Frequency range
85 Hz - 20,000 Hz
Dimensions (w/h/d)
Approx. 177 x 126 x 120 mm, not including front grill
Mass
Approx. 2 kg
Supplied accessories
Speaker cord 2.5 m (1)
Foot (4)

SS-SR490 (Rear speaker)
Speaker system
2-way, magnetically shielded
Speaker units
Full range: 12 cm, cone type
Tweeter: 2.5 cm, balance drive type
Enclosure type
Acoustic suspension
Rated impedance
8 ohms
Power handling capacity
Maximum input power: 120 watts
Sensitivity level
86 dB (1 W, 1 m)
Frequency range
85 Hz - 20,000 Hz
Dimensions (w/h/d)
Approx. 170 x 250 x 100 mm, not including front grill
Mass
Approx. 2 kg
Supplied accessory
Speaker cord 10 m (2)

SS-SR190 (Rear speaker)
Speaker system
Full range, magnetically shielded
Speaker unit
10 cm, cone type
Enclosure type
Bass reflex
Rated impedance
8 ohms
Power handling capacity
Maximum input power: 80 watts
Sensitivity level
85 dB (1 W, 1 m)
Frequency range
85 Hz - 20,000 Hz
Dimensions (w/h/d)
Approx. 177 x 126 x 120 mm, not including front grill
Mass
Approx. 1.2 kg
Supplied accessory
Speaker cord 10 m (2)

Français

Précautions

- Évitez de faire fonctionner les enceintes de manière continue avec une puissance électrique qui excède la puissance d'entrée maximum de ce système.
- Avant d'effectuer les connexions, mettez l'amplificateur hors tension pour éviter d'endommager les enceintes.
- Si les bornes +/- ne sont pas raccordées correctement, les tonalités basses sembleront absentes et la position des instruments sera confuse.
- La grille de l'enceinte sur les SS-CN290/SR290 et SS-CN190/SR190 ne peut pas être enlevée. N'essayez pas de l'enlever sur les SS-CN290/SR290 et SS-CN190/SR190, sinon l'enceinte risque d'être endommagée.

En cas d'anomalie de couleur sur un téléviseur se trouvant à proximité
Grâce à leur blindage magnétique, vous pouvez installer les enceintes près d'un téléviseur. Cependant, selon le type de téléviseur, les couleurs sur l'écran peuvent être anormales.

- En cas d'anomalie de couleur...
→ Mettez le téléviseur hors tension, puis remettez-le sous tension au bout de 15 à 30 minutes.
- Si l'anomalie de couleur persiste...
→ Eloignez davantage les enceintes du téléviseur.

Spécifications

SS-CR490

SS-CN490 (Enceinte centrale)
Système d'enceintes
2 voies, blindage magnétique
Haut-parleurs
Woofer: 12 cm, type conique x 2
Tweeter: 2,5 cm, avec commande d'équilibrage
Type d'enceinte
Bass reflex
Impédance nominale
8 ohms
Capacité de puissance admissible
Puissance d'entrée maximum: 150 W
Niveau de sensibilité
89 dB (1 W, 1 m)
Plage de fréquences
de 85 à 20 000 Hz
Dimensions (l/h/p)
Env. 430 x 150 x 190 mm, grille avant non comprise
Poids
Env. 4,5 kg
Accessoires fournis
Cordon d'enceinte 10 m (2)

SS-CR190

SS-CN190 (Enceinte centrale)
Système d'enceintes
Full range, blindage magnétique
Speaker units
10 cm, cone type x 2
Enclosure type
Bass reflex
Rated impedance
8 ohms
Power handling capacity
Maximum input power: 150 watts
Sensitivity level
89 dB (1 W, 1 m)
Frequency range
85 Hz - 20,000 Hz
Dimensions (w/h/d)
Approx. 430 x 150 x 190 mm, not including front grill
Mass
Approx. 4.5 kg
Supplied accessories
Speaker cord 2.5 m (1)
Foot (4)

SS-SR490 (Enceinte arrière)
Système d'enceintes
2 voies, blindage magnétique
Haut-parleurs
Pleine gamme: 12 cm, type conique
Tweeter: 2,5 cm, avec commande d'équilibrage
Type d'enceinte
Suspension acoustique
Impédance nominale
8 ohms
Capacité de puissance admissible
Puissance d'entrée maximum: 120 W
Niveau de sensibilité
86 dB (1 W, 1 m)
Plage de fréquences
de 85 à 20 000 Hz
Dimensions (l/h/p)
Env. 170 x 250 x 100 mm, grille avant non comprise
Poids
Env. 2 kg
Accessoires fournis
Cordon d'enceinte 10 m (2)

SS-SR190 (Enceinte arrière)
Système d'enceintes
Full range, blindage magnétique
Speaker unit
10 cm, cone type
Enclosure type
Bass reflex
Rated impedance
8 ohms
Power handling capacity
Maximum input power: 80 watts
Sensitivity level
85 dB (1 W, 1 m)
Frequency range
85 Hz - 20,000 Hz
Dimensions (w/h/d)
Approx. 177 x 126 x 120 mm, not including front grill
Mass
Approx. 1.2 kg
Supplied accessory
Speaker cord 10 m (2)

SS-CR290
SS-CN290 (Enceinte centrale)
Système d'enceintes
2 voies, blindage magnétique
Haut-parleurs
Woofer: 12 cm, type conique x 2
Tweeter: 2,5 cm, avec commande d'équilibrage
Type d'enceinte
Bass reflex
Impédance nominale
8 ohms
Power handling capacity
Maximum input power: 120 W
Sensitivity level
86 dB (1 W, 1 m)
Frequency range
85 Hz - 20,000 Hz
Dimensions (w/h/d)
Approx. 177 x 126 x 120 mm, not including front grill
Mass
Approx. 2 kg
Supplied accessories
Speaker cord 2.5 m (1)
Foot (4)

SS-SR490 (Enceinte arrière)
Système d'enceintes
2 voies, blindage magnétique
Haut-parleurs
Pleine gamme: 12 cm, type conique
Tweeter: 2,5 cm, avec commande d'équilibrage
Type d'enceinte
Suspension acoustique
Impédance nominale
8 ohms
Capacité de puissance admissible
Puissance d'entrée maximum: 120 W
Niveau de sensibilité
86 dB (1 W, 1 m)
Plage de fréquences
de 85 à 20 000 Hz
Dimensions (l/h/p)
Env. 170 x 250 x 100 mm, grille avant non comprise
Poids
Env. 2 kg
Accessoires fournis
Cordon d'enceinte 10 m (2)

SS-SR190 (Enceinte arrière)
Système d'enceintes
Full range, blindage magnétique
Speaker unit
10 cm, cone type
Enclosure type
Bass reflex
Rated impedance
8 ohms
Power handling capacity
Maximum input power: 80 watts
Sensitivity level
85 dB (1 W, 1 m)
Frequency range
85 Hz - 20,000 Hz
Dimensions (w/h/d)
Approx. 177 x 126 x 120 mm, not including front grill
Mass
Approx. 1.2 kg
Supplied accessory
Speaker cord 10 m (2)

SS-CR290
SS-CN290 (Enceinte centrale)
Système d'enceintes
2 voies, blindage magnétique
Haut-parleurs
Woofer: 12 cm, type conique x 2
Tweeter: 2,5 cm, avec commande d'équilibrage
Type d'enceinte
Bass reflex
Impédance nominale
8 ohms
Power handling capacity
Maximum input power: 120 W
Sensitivity level
86 dB (1 W, 1 m)
Frequency range
85 Hz - 20,000 Hz
Dimensions (w/h/d)
Approx. 177 x 126 x 120 mm, not including front grill
Mass
Approx. 2 kg
Supplied accessories
Speaker cord 2.5 m (1)
Foot (4)

SS-SR490 (Enceinte arrière)
Système d'enceintes
2 voies, blindage magnétique
Haut-parleurs
Pleine gamme: 12 cm, type conique
Tweeter: 2,5 cm, avec commande d'équilibrage
Type d'enceinte
Suspension acoustique
Impédance nominale
8 ohms
Power handling capacity
Maximum input power: 120 W
Sensitivity level
86 dB (1 W, 1 m)
Frequency range
85 Hz - 20,000 Hz
Dimensions (w/h/d)
Approx. 170 x 250 x 100 mm, not including front grill
Mass
Approx. 2 kg
Supplied accessory
Speaker cord 10 m (2)

SS-SR190 (Enceinte arrière)
Système d'enceintes
Full range, blindage magnétique
Speaker unit
10 cm, cone type
Enclosure type
Bass reflex
Rated impedance
8 ohms
Power handling capacity
Maximum input power: 80 watts
Sensitivity level
85 dB (1 W, 1 m)
Frequency range
85 Hz - 20,000 Hz
Dimensions (w/h/d)
Approx. 177 x 126 x 120 mm, not including front grill
Mass
Approx. 1.2 kg
Supplied accessory
Speaker cord 10 m (2)

SS-CR290
SS-CN290 (Enceinte centrale)
Système d'enceintes
2 voies, blindage magnétique
Haut-parleurs
Woofer: 12 cm, type conique x 2
Tweeter: 2,5 cm, avec commande d'équilibrage
Type d'enceinte
Bass reflex
Impédance nominale
8 ohms
Power handling capacity
Maximum input power: 120 W
Sensitivity level
86 dB (1 W, 1 m)
Frequency range
85 Hz - 20,000 Hz
Dimensions (w/h/d)
Approx. 177 x 126 x 120 mm, not including front grill
Mass
Approx. 2 kg
Supplied accessories
Speaker cord 2.5 m (1)
Foot (4)

SS-SR490 (Enceinte arrière)
Système d'enceintes
2 voies, blindage magnétique
Haut-parleurs
Pleine gamme: 12 cm, type conique
Tweeter: 2,5 cm, avec commande d'équilibrage
Type d'enceinte
Suspension acoustique
Impédance nominale
8 ohms
Power handling capacity
Maximum input power: 120 W
Sensitivity level
86 dB (1 W, 1 m)
Frequency range
85 Hz - 20,000 Hz
Dimensions (w/h/d)
Approx. 170 x 250 x 100 mm, not including front grill
Mass
Approx. 2 kg
Supplied accessory
Speaker cord 10 m (2)

SS-SR190 (Enceinte arrière)
Système d'enceintes
Full range, blindage magnétique
Speaker unit
10 cm, cone type
Enclosure type
Bass reflex
Rated impedance
8 ohms
Power handling capacity
Maximum input power: 80 watts
Sensitivity level
85 dB (1 W, 1 m)
Frequency range
85 Hz - 20,000 Hz
Dimensions (w/h/d)
Approx. 177 x 126 x 120 mm, not including front grill
Mass
Approx. 1.2 kg
Supplied accessory
Speaker cord 10 m (2)

Capacité de puissance admissible
Puissance d'entrée maximum: 120 W
Niveau de sensibilité
89 dB (1 W, 1 m)
Plage de fréquences
de 85 à 20 000 Hz
Dimensions (l/h/p)
Env. 380 x 150 x 168 mm, grille avant non comprise
Poids
Env. 3,5 kg
Accessoires fournis
Cordon d'enceinte 2,5 m (1)
Pieds (4)

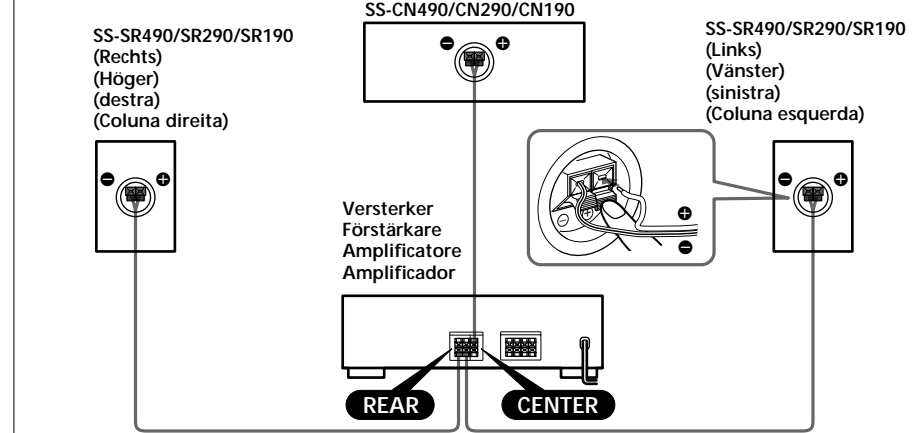
SS-SR290 (Enceinte arrière)
Système d'enceintes
Pleine gamme, blindage magnétique
Haut-parleur
12 cm, type conique
Type d'enceinte
Bass reflex
Impédance nominale
8 ohms
Capacité de puissance admissible
Puissance d

SONY

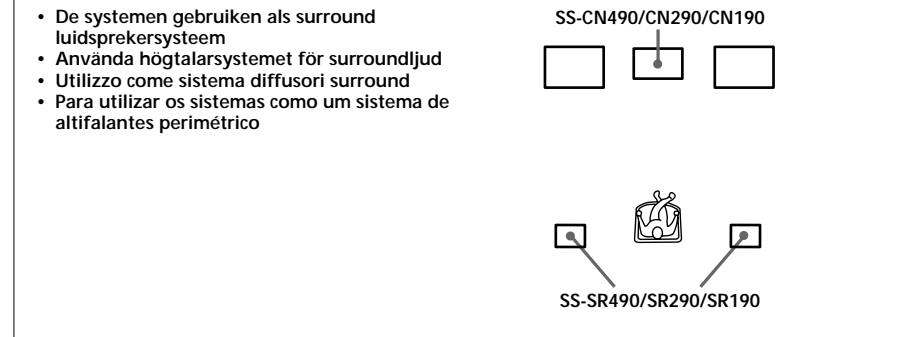
Speaker System

SS-CR490/CR290/CR190

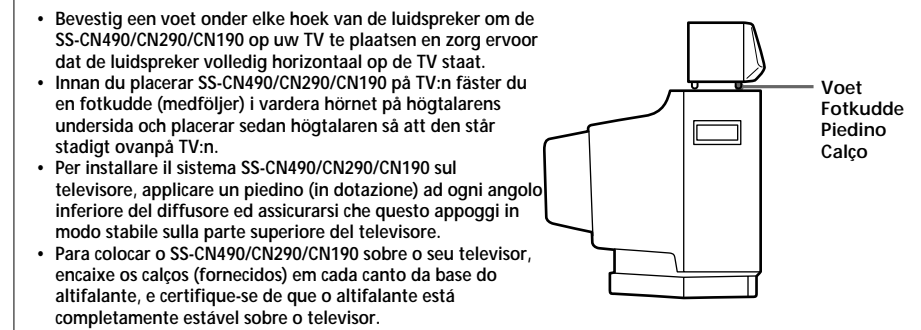
- Bij verbinding met luidsprekeraansluitingen (REAR, CENTER)
- Anslutning till högtalarterminaler (REAR, CENTER)
- Quando si effettua il collegamento ai terminali dei diffusori (REAR, CENTER)
- Quando da ligação aos terminais de altifalante (REAR, CENTER)



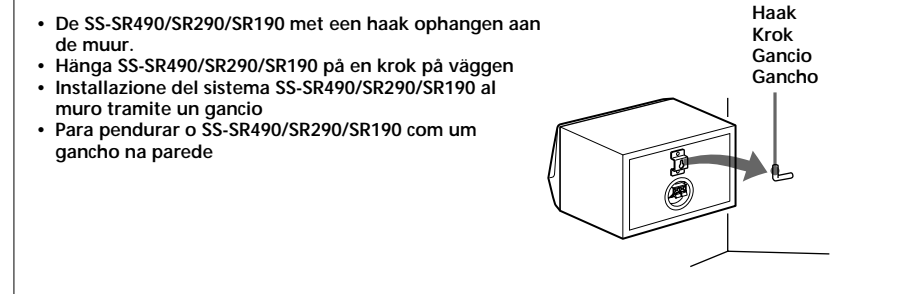
- De systemen gebruiken als surround luidsprekersysteem
- Använda högtalarsystemet för surroundljud
- Utilizzo come sistema diffusori surround
- Para utilizar os sistemas como um sistema de altifalantes perimétrico



- Bevestig een voet onder elke hoek van de luidspreker om de SS-CN490/CN290/CN190 op uw TV te plaatsen en zorg ervoor dat de luidspreker volledig horizontaal op de TV staat.
- Innan du placerar SS-CN490/CN290/CN190 på TV:n fäster du en fotkudde (medföljer) i vardera hörnet på högtalarens undersida och placerar sedan högtalaren så att den står stadigt ovanpå TV:n.
- Per installare il sistema SS-CN490/CN290/CN190 sul televisore, applicare un piedino (in dotazione) ad ogni angolo inferiore del diffusore ed assicurarsi che questo appoggi in modo stabile sulla parte superiore del televisore.
- Para colocar o SS-CN490/CN290/CN190 sobre o seu televisor, encaixe os calços (fornecidos) em cada canto da base do altifalante, e certifique-se de que o altifalante está completamente estável sobre o televisor.



- De SS-SR490/SR290/SR190 met een haak ophangen aan de muur.
- Hanga SS-SR490/SR290/SR190 på en krok på väggen
- Installazione del sistema SS-SR490/SR290/SR190 al muro tramite un gancho
- Para pendurar o SS-SR490/SR290/SR190 com um gancho na parede



Nederlands

Voorzorgsmaatregelen

- Drijf de luidsprekers niet continu aan met een vermogen dat het maximum ingangsvermogen van dit luidsprekersysteem overschrijft.
- Zet de versterker af Alvorens de luidsprekers aan te sluiten om te voorkomen dat die worden beschadigd.
- Als de + en - pool worden omgewisseld, is er een gebrek aan bass en is de positie van de instrumenten onduidelijk.
- De grille van de SS-CN290/SR290 en SS-CN190/SR190 kan niet worden verwijderd. Probeer de grille van de SS-CN290/SR290 en SS-CN190/SR190 niet te verwijderen. Indien u dat toch doet, kan de luidspreker worden beschadigd.

Als het kleurenbeeld van een TV is gestoord
De luidsprekers zijn magnetisch afgeschermd en kunnen dus vlak bij een televisietoestel worden geplaatst. Toch kunnen de beeldkleuren van sommige TV's worden gestoord.

Indien de kleuren zijn gestoord...

→ Zet de TV af en na 15 tot 30 minuten weer aan.

Indien de kleuren nog altijd zijn gestoord...

→ Plaats de luidsprekers verder van de TV af.

Technische gegevens

SS-CR490

SS-CN490 (Middenluidspreker)

Luidsprekersysteem

2-weg, magnetisch afgeschermd

Luidsprekers

Woofer: 12 cm, conustype × 2

Tweeter: 2,5 cm, balance drive type

Behuizing Bass reflex
Nominale impedantie 8 ohm
Belastbaarheid Maximum ingangsvermogen: 150 watt
Gevoeligheid 89 dB (1 W, 1 m)
Frequentiebereik 85 Hz - 20.000 Hz
Afmetingen (b/h/d) Ong. 430 × 150 × 190 mm, zonder grille
Gewicht Ong. 4,5 kg
Meegeleverde toebehoren Luidsprekersnoer van 2,5 m (1)
Voet (4)

SS-SR490 (Achterluidspreker)

Luidsprekersysteem

2-weg, magnetisch afgeschermd

Luidsprekers

Breedband: 12 cm, conustype

Tweeter: 2,5 cm, balance drive type

Behuizing Acoustic suspension
Nominale impedantie 8 ohm
Belastbaarheid Maximum ingangsvermogen: 120 watt
Gevoeligheid 86 dB (1 W, 1 m)
Frequentiebereik 85 Hz - 20.000 Hz
Afmetingen (b/h/d) Ong. 170 × 250 × 100 mm, zonder grille
Gewicht Ong. 2 kg
Meegeleverd toebehoren Luidsprekersnoer van 10 m (2)

SS-SR190 (Achterluidspreker)

Luidsprekersysteem

2-weg, magnetisch afgeschermd

Luidsprekers

Woofer: 12 cm, conustype × 2

Tweeter: 2,5 cm, balance drive type

Behuizing Bass reflex
Nominale impedantie 8 ohm
Belastbaarheid Maximum ingangsvermogen: 80 watt
Gevoeligheid 85 dB (1 W, 1 m)
Frequentiebereik 85 Hz - 20.000 Hz
Afmetingen (b/h/d) Ong. 177 × 126 × 120 mm, zonder grille
Gewicht Ong. 1,2 kg
Meegeleverd toebehoren Luidsprekersnoer van 10 m (2)

SS-CR290

SS-CN290 (Middenluidspreker)

Luidsprekersysteem

2-weg, magnetisch afgeschermd

Luidsprekers

Woofer: 12 cm, conustype × 2

Tweeter: 2,5 cm, balance drive type

Behuizing Bass reflex
Nominale impedantie 8 ohm
Belastbaarheid Maximum ingangsvermogen: 120 watt
Gevoeligheid 89 dB (1 W, 1 m)
Frequentiebereik 85 Hz - 20.000 Hz
Afmetingen (b/h/d) Ong. 380 × 150 × 168 mm, zonder grille
Gewicht Ong. 3,5 kg
Meegeleverde toebehoren Luidsprekersnoer van 2,5 m (1)
Voet (4)

SS-SR290 (Achterluidspreker)

Luidsprekersysteem

Breedband, magnetisch afgeschermd

Luidspreker

12 cm, conustype

Behuizing Bass reflex

Nominale impedantie 8 ohm

Belastbaarheid Maximum ingangsvermogen: 100 watt

Gevoeligheid 86 dB (1 W, 1 m)

Frequentiebereik 85 Hz - 20.000 Hz

Afmetingen (b/h/d) Ong. 190 × 150 × 168 mm, zonder grille

Gewicht Ong. 1,5 kg

Meegeleverd toebehoren Luidsprekersnoer van 10 m (2)

SS-CR190

SS-CN190 (Middenluidspreker)

Luidsprekersysteem

2-wägs, magnetiskt skärmat

Högtalare

Bas: 12 cm, kontyp × 2

Diskant: 2,5 cm, balanserad drivning

Typ av inneslutning Basreflex
Högtalarsystem
Breedband, magnetiskt skärmat
Högtalare 10 cm, kontyp × 2
Typ av inneslutning Basreflex
Märkimpedans 8 ohm
Effekthantering Max ineffekt: 150 watt
Känslighet 89 dB (1 W, 1 m)
Gamma di frekvensomfang 85 Hz - 20.000 Hz
Mätt (b/h/d) Ca. 430 × 150 × 190 mm, exklusiv frontgaller
Vikt Ca. 4,5 kg
Medföljande tillbehör Högtalarkabel 2,5 m (1)
Fotkuddar (4)

SS-SR190 (Achterluidspreker)

Luidsprekersysteem

Breedband, magnetiskt afgeschermd

Luidsprekers

10 cm, conustype

Behuizing Bass reflex

Nominale impedantie 8 ohm

Belastbaarheid Maximum ingangsvermogen: 120 watt

Gevoeligheid 86 dB (1 W, 1 m)

Frequentiebereik 85 Hz - 20.000 Hz

Afmetingen (b/h/d) Ong. 170 × 250 × 100 mm, zonder grille

Gewicht Ong. 2 kg

Meegeleverd toebehoren Luidsprekersnoer van 10 m (2)

SS-SR290 (Achterluidspreker)

Luidsprekersysteem

Breedband, magnetiskt afgeschermd

Luidspreker

12 cm, conustype

Behuizing Bass reflex

Nominale impedantie 8 ohm

Belastbaarheid Maximum ingangsvermogen: 80 watt

Gevoeligheid 85 dB (1 W, 1 m)

Frequentiebereik 85 Hz - 20.000 Hz

Afmetingen (b/h/d) Ong. 177 × 126 × 120 mm, zonder grille

Gewicht Ong. 1,2 kg

Meegeleverd toebehoren Luidsprekersnoer van 10 m (2)

SS-CR290

SS-CN290 (Mitthögtalare)

Högtalarsystem

2-wägs, magnetiskt skärmat

Högtalare

Bas: 12 cm, kontyp × 2

Diskant: 2,5 cm, balanserad drivning

Typ av inneslutning Basreflex

Wijzigingen aan ontwerp en technische gegevens voorbehouden zonder voorafgaande kennisgeving.

Svenska

Försiktighet

- Undvik att driva högtalarsystemet kontinuerligt med en effekt som överskrider högtalarnas maximala ineffekt.
- Innan du utför några anslutningar bör du, för att skydda högtalarna från att skadas, stänga av förstärkaren.
- Om du kopplar plus/minus-polerna (+/-) fel, förörlar du basåtergivning och instrumentens positioner i ljudbilden blir otydlig.
- Du kan inte ta loss frontgallret på SS-CN290/SR290 eller SS-CN190/SR190. Försök inte att montera bort SS-CN290/SR290 eller SS-CN190/SR190 det, eftersom det kan leda till att du skadar högtalaren.

Om det uppstår färgavvikelser på en TV-skärm i närheten
Ett magnetiskt avskärmat högtalarsystem kan i allmänhet placeras i närheten av TV-apparater men, beroende på TV:n, kan det trots det i vissa fall uppstå färgavvikelser på TV-skärmen.

Om det uppstår färgavvikelser...

→ Stäng av TV:n, vänta en kvart eller en halvtimme och slå sedan på den igen.

Om färgavvikelserna visar sig igen...

→ Placera högtalarna lite längre bort från TV:n.

Specifikationer

SS-CR490

SS-CN490 (Mitthögtalare)

Högtalarsystem

2-wägs, magnetiskt skärmat

Högtalare

Bas: 12 cm, kontyp × 2

Diskant: 2,5 cm, balanserad drivning

Typ av inneslutning Basreflex
Högtalarsystem
Breedband, magnetiskt skärmat
Högtalare 10 cm, kontyp × 2
Typ av inneslutning Basreflex
Märkimpedans 8 ohm
Effekthantering Max ineffekt: 150 watt
Känslighet 89 dB (1 W, 1 m)
Gamma di frekvensomfang 85 Hz - 20.000 Hz
Mätt (b/h/d) Ca. 430 × 150 × 190 mm, exklusiv frontgaller
Vikt Ca. 4,5 kg
Medföljande tillbehör Högtalarkabel 2,5 m (1)
Fotkuddar (4)

SS-SR490 (Bakre högtalare)

Högtalarsystem

2-wägs, magnetiskt skärmat

Högtalare

Breedband: 12 cm, kontyp

Diskant: 2,5 cm, balanserad drivning

Typ av inneslutning Akustisk upphängning
Märkimpedans 8 ohm
Effekthantering Max ineffekt: 120 watt
Känslighet 86 dB (1 W, 1 m)
Gamma di frekvensomfang 85 Hz - 20.000 Hz
Mätt (b/h/d) Ca. 170 × 250 × 100 mm, exklusiv frontgaller
Vikt Ca. 2 kg
Medföljande tillbehör Högtalarkabel 10 m (2)

SS-SR190 (Bakre högtalare)

Högtalarsystem

Breedband, magnetiskt skärmat

Högtalare

10 cm, kontyp

Typ av inneslutning Basreflex

Märkimpedans 8 ohm

Effekthantering Max ineffekt: 80 watt

Känslighet 85 dB (1 W, 1 m)

Gamma di frekvensomfang 85 Hz - 20.000 Hz

Mätt (b/h/d) Ca. 177 × 126 × 120 mm, exklusiv frontgaller

Vikt Ca. 1,2 kg

Medföljande tillbehör Högtalarkabel 10 m (2)

Rätt till ändring av utförande och specifikationer förbehålles.

SS-CR290

SS-CN290 (diffusore centrale)

Sistema diffusori

a 2 vie, schermato magneticamente

Unità diffusori

woofer: 12 cm, tipo a cono × 2

tweeter: 2,5 cm, tipo a pilotaggio bilanciato

Tipo enclosure bass reflex

Märkimpedans 8 ohm
Effekthantering Max ineffekt: 120 watt
Känslighet 89 dB (1 W, 1 m)
Gamma di frekvensomfang 85 Hz - 20.000 Hz
Mätt (b/h/d) Ca. 380 × 150 × 168 mm, exklusiv frontgaller
Vikt Ca. 3,5 kg
Medföljande tillbehör Högtalarkabel 2,5 m (1)
Fotkuddar (4)

SS-SR290 (Bakre högtalare)

Högtalarsystem

Breedband, magnetiskt skärmat

Högtalare

12 cm, kontyp

Typ av inneslutning Basreflex

Märkimpedans 8 ohm

Effekthantering Max ineffekt: 100 watt

Känslighet 86 dB (1 W, 1 m)

Gamma di frekvensomfang 85 Hz - 20.000 Hz

Mätt (b/h/d) Ca. 190 × 150 × 168 mm, exklusiv frontgaller

Vikt Ca. 1,5 kg

Medföljande tillbehör Högtalarkabel 10 m (2)

SS-CR190

SS-CN190 (Mitthögtalare)

Högtalarsystem

Breedband, magnetiskt skärmat

Högtalare

10 cm, kontyp × 2

Typ av inneslutning Basreflex

Märkimpedans 8 ohm

Effekthantering Max ineffekt: 100 watt

Känslighet 88 dB (1 W, 1 m)

Gamma di frekvensomfang 85 Hz - 20.000 Hz

Mätt (b/h/d) Ca. 355 × 126 × 126 mm, exklusiv frontgaller

Vikt Ca. 2,2 kg

Medföljande tillbehör Högtalarkabel 2,5 m (1)
Fotkuddar (4)

SS-SR190 (Bakre högtalare)

Högtalarsystem

Breedband, magnetiskt skärmat

Högtalare

10 cm, kontyp

Typ av inneslutning Basreflex

Märkimpedans 8 ohm

Effekthantering Max ineffekt: 80 watt

Känslighet 85 dB (1 W, 1 m)

Gamma di frekvensomfang 85 Hz - 20.000 Hz

Mätt (b/h/d) Ca. 177 × 126 × 120 mm, exklusiv frontgaller

Vikt Ca. 1,2 kg

Medföljande tillbehör Högtalarkabel 10 m (2)

Rätt till ändring av utförande och specifikationer förbehålles.

SS-CR290

SS-CN290 (diffusore centrale)

Sistema diffusori

a 2 vie, schermato magneticamente

Unità diffusori

woofer: 12 cm, tipo a cono × 2

tweeter: 2,5 cm, tipo a pilotaggio bilanciato

Tipo enclosure bass reflex

Italiano

Precauzioni

- Evitare di utilizzare il sistema diffusori in modo continuo con un wattaggio superiore rispetto alla potenza di ingresso massima di questo sistema diffusori.
- Prima di effettuare i collegamenti, spegnere l'amplificatore onde evitare di danneggiare il sistema diffusori.
- Se il collegamento +/- non viene effettuato correttamente, i toni bassi sembreranno assenti e la posizione degli strumenti non sar' chiara.
- La griglia del diffusore dei modelli SS-CN290/SR290 e SS-CN190/SR190 non può essere rimossa, SS-CN290/SR290 e SS-CN190/SR190 non tentare dunque di rimuoverla, onde evitare di causare danni al diffusore.

Se i colori sullo schermo televisivo sono irregolari
Poiché i diffusori sono di tipo schermato magneticamente è possibile installarli in prossimità del televisore. Tuttavia, in base al tipo di televisore, è possibile che si verifichino irregolarità del colore.

In caso di irregolarità del colore...

→ Spegner il televisore, quindi accenderlo di nuovo dopo 15 o 30 minuti.

In caso di persistenza di irregolarit* del colore...

→ Installare i diffusori a distanza dal televisore.

Caratteristiche tecniche

SS-CR490

SS-CN490 (diffusore centrale)

Sistema diffusori

a 2 vie, schermato magneticamente

Unità diffusori

woofer: 12 cm, tipo a cono × 2

tweeter: 2,5 cm, tipo a pilotaggio bilanciato

Tipo enclosure bass reflex

Impedenza nominale 8 ohms

Potenza nominale potenza di ingresso massima: 150 watt