

Mini Hi-Fi Component System

Operating Instructions

Owner's Record

The model and serial numbers are located on the rear panel. Record the serial number in the space provided below. Refer to them whenever you call upon your Sony dealer regarding this product.

Model No. _____ Serial No. _____



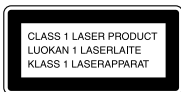
*MHC-RXD6AV
MHC-GRX40AV*

WARNING

To prevent fire or shock hazard, do not expose the unit to rain or moisture.

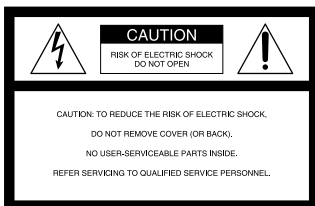
To avoid electrical shock, do not open the cabinet. Refer servicing to qualified personnel only.

Do not install the appliance in a confined space, such as a bookcase or built-in cabinet.



This appliance is classified as a CLASS 1 LASER product. The CLASS 1 LASER PRODUCT MARKING is located on the rear exterior.

NOTICE FOR THE CUSTOMERS IN THE U.S.A.



This symbol is intended to alert the user to the presence of uninsulated “dangerous voltage” within the product’s enclosure that may be of sufficient magnitude to constitute a risk of electric shock to persons.



This symbol is intended to alert the user to the presence of important operating and maintenance (servicing) instructions in the literature accompanying the appliance.

CAUTION

The use of optical instruments with this product will increase eye hazard.

INFORMATION

This equipment has been tested and found to comply with the limits for a Class B digital device, pursuant to Part 15 of the FCC Rules. These limits are designed to provide reasonable protection against harmful interference in a residential installation. This equipment generates, uses, and can radiate radio frequency energy and, if not installed and used in accordance with the instructions, may cause harmful interference to radio communications. However, there is no guarantee that interference will not occur in a particular installation. If this equipment does cause harmful interference to radio or television reception, which can be determined by turning the equipment off and on, the user is encouraged to try to correct the interference by one or more of the following measures:

- Reorient or relocate the receiving antenna.
- Increase the separation between the equipment and receiver.
- Connect the equipment into an outlet on a circuit different from that to which the receiver is connected.
- Consult the dealer or an experienced radio/TV technician for help.

CAUTION

You are cautioned that any changes or modifications not expressly approved in this manual could void your authority to operate this equipment.

Note to CATV system installer:

This reminder is provided to call the CATV system installer’s attention to Article 820–40 of the NEC that provides guidelines for proper grounding and, in particular, specifies that the cable ground shall be connected to the grounding system of the building, as close to the point of cable entry as practical.

NOTICE FOR THE CUSTOMERS IN CANADA

CAUTION:

TO PREVENT ELECTRIC SHOCK, DO NOT USE THIS POLARIZED AC PLUG WITH AN EXTENSION CORD, RECEPTACLE OR OTHER OUTLET UNLESS THE BLADES CAN BE FULLY INSERTED TO PREVENT BLADE EXPOSURE.

This stereo system is equipped with the Dolby Pro Logic Surround decoder*.

* Manufactured under license from Dolby Laboratories Licensing Corporation.


DOLBY, the double-D symbol  and “PRO LOGIC” are trademarks of Dolby Laboratories Licensing Corporation.

Table of Contents

Getting Started

Step 1: Hooking up the main unit	4
Step 2: Setting up your speakers	5
Step 3: Setting the time	9
Step 4: Presetting radio stations	10
Connecting optional AV components	12
Connecting outdoor antennas	13

Basic Operations

Playing a CD	14
Recording a CD	16
Listening to the radio	17
Recording from the radio	19
Playing a tape	20

The CD Player

Using the CD display	22
Playing the CD tracks repeatedly	23
Playing the CD tracks in random order	24
Programming the CD tracks	25

The Tape Deck

Recording on a tape manually	26
Recording CDs by specifying track order	27

Sound Adjustment

Adjusting the sound	29
Selecting the audio emphasis	30
Selecting surround effects	31
Enjoying Dolby Pro Logic Surround sound	32

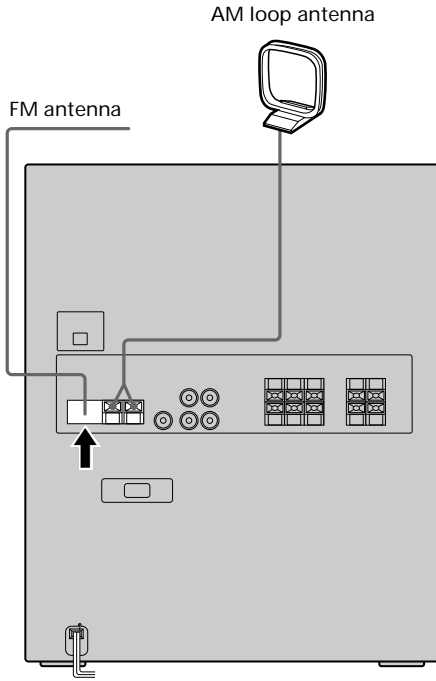
Other Features

Falling asleep to music	33
Waking up to music	33
Timer-recording radio programs	35

Additional Information

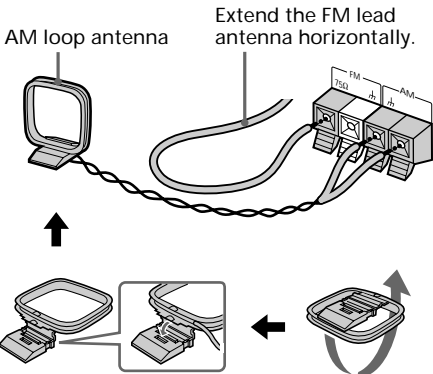
Precautions	36
Troubleshooting	38
Specifications	40
Index	back cover

Step 1: Hooking up the main unit

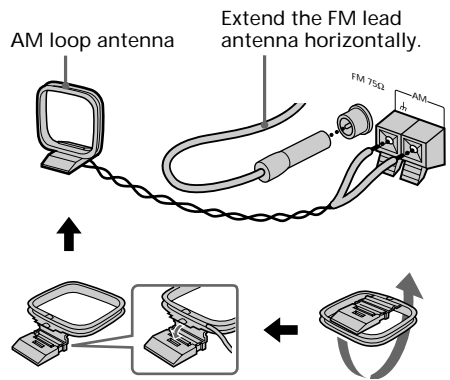


➔ Connect the FM/AM antennas.
Set up the AM loop antenna, then connect it.

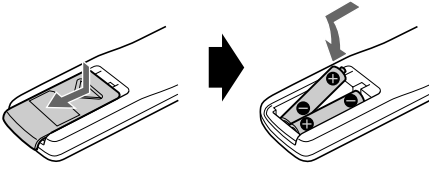
Jack type ①



Jack type ②



Inserting two R03 (size AAA) batteries into the remote



Tip

With normal use, the batteries should last for about six months. When the remote no longer operates the system, replace both batteries with new ones.

Note

If you do not use the remote for a long period of time, remove the batteries to avoid possible damage from battery leakage.

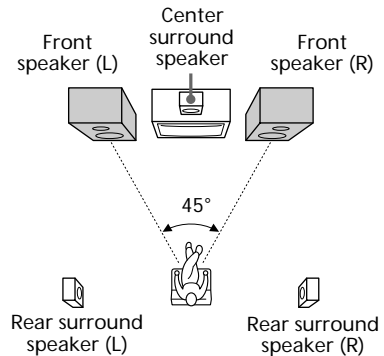
Step 2: Setting up your speakers

Connecting the supplied rear and center surround speakers enables you to fully enjoy Dolby Pro Logic Surround sound. Dolby Pro Logic Surround is a decoding system standardized in TV programs and movies. Dolby Pro Logic Surround improves the sound image by using four separate channels. These channels manipulate the sound to be heard and enhance the action as it happens on the screen.

Positioning the speakers

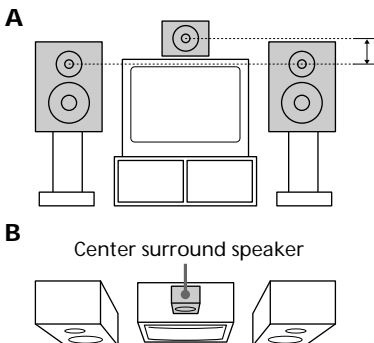
Before you connect them, determine the best location for your speakers.

- 1 Place the front speakers at an angle of 45 degrees from your listening position.

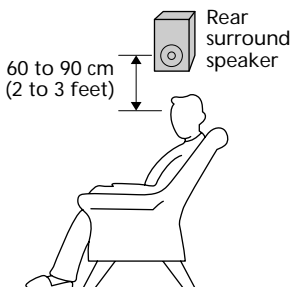


Step 2: Setting up your speakers (continued)

- Place the center speaker so it is placed about the same height as the front speakers (A). Align the center surround speaker with the front speakers or place it slightly back from the position of the front speakers (B).

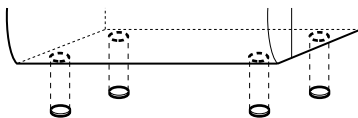


- Place the rear surround speakers facing each other at about 60 to 90 cm (2 to 3 feet) above your listening position.



To attach the speaker pads

Attach the supplied speaker pads to the bottom of the center surround speaker to stabilize the speaker and prevent it from slipping.

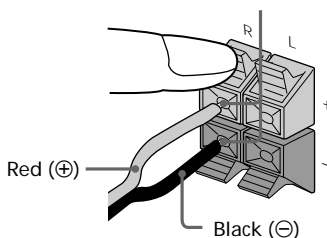


Connecting the speakers

(Refer to illustration at right.)

- Connect the front speakers. Connect the speaker cords to the FRONT SPEAKER jacks of the same color. Keep the speaker cords away from the antennas to prevent noise.

Insert only the stripped portion.

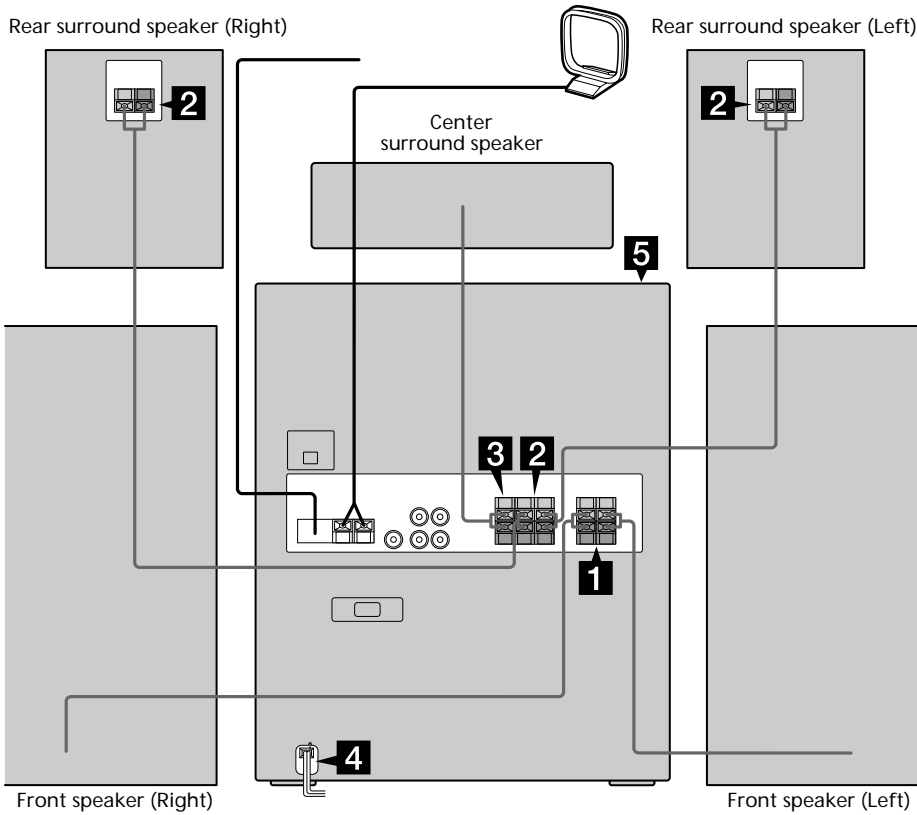


Note

The type of speakers supplied vary according to the model you purchased (see "Specifications" on page 40).

Rear surround speaker (Right)

Rear surround speaker (Left)



Front speaker (Right)

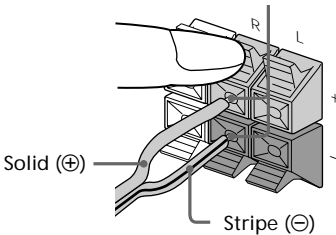
Front speaker (Left)

2 Connect the rear surround speakers. Connect the speaker cords from the rear surround speakers to the appropriate REAR SPEAKER jacks. Connect the solid cords to the red jacks and connect the striped cords to the black jacks. Keep the speaker cords away from the antennas to prevent noise.

Notes

- Do not place the rear surround speakers on top of a TV. This may cause distortion of the colors in the TV screen.
- Be sure to connect both left and right rear surround speakers. Otherwise, the sound will not be heard.

Insert only the stripped portion.

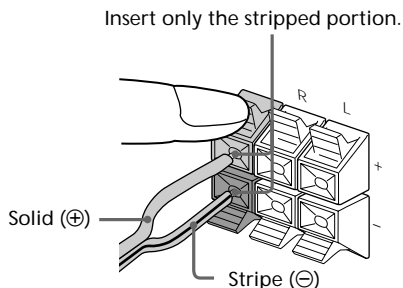


Step 2: Setting up your speakers (continued)

- 3** Connect the center surround speaker.

Connect the speaker cords to the appropriate CENTER SPEAKER jacks. Connect the solid cord to the red jack and connect the striped cord to the black jack.

Keep the speaker cords away from the antennas to prevent noise.



- 4** Connect the power cord to a wall outlet.

Demo mode appears in the display.

- 5** Deactivate the demo mode by pressing DEMO when the system is turned off.

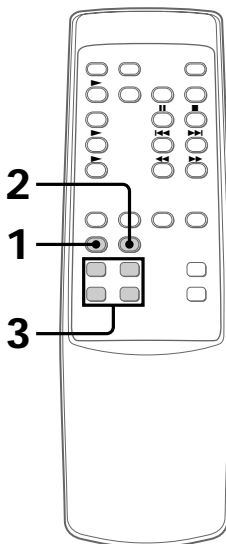
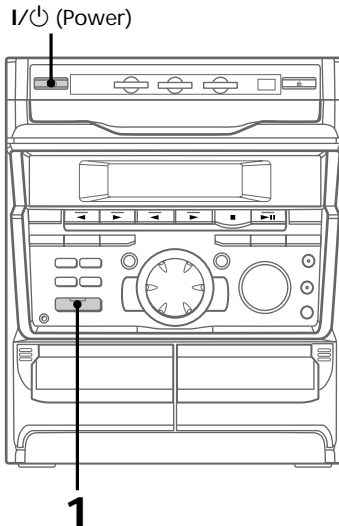
The demo mode is also deactivated when you set the time.

Tip

You can reinforce the bass sound by connecting an optional super woofer to the super woofer connector.

Adjusting the speaker volume

To enjoy Dolby Pro Logic Surround sound, turn the Dolby Pro Logic mode on, then adjust the volume of each speaker using the test tone that the system provides.



1 Press DOLBY PROLOGIC (or PRO LOGIC ON/OFF on the remote).
“PRO LOGIC ON” appears.

2 Press T.TONE ON/OFF on the remote.
The test tone is heard from the speakers in the following order. Adjust the volume of the test tone.
Front (left) → Center → Front (right)
 ↑ ↓
 Rear ←

3 From your listening position, press CENTER +/- and REAR +/- on the remote to adjust the volume.
The volume levels from each speaker must become the same.

4 Press T.TONE ON/OFF when you are done adjusting.
The test tone turns off.

Tip

If you turn VOLUME (or press VOL +/- on the remote) all the speaker volumes change.

Note

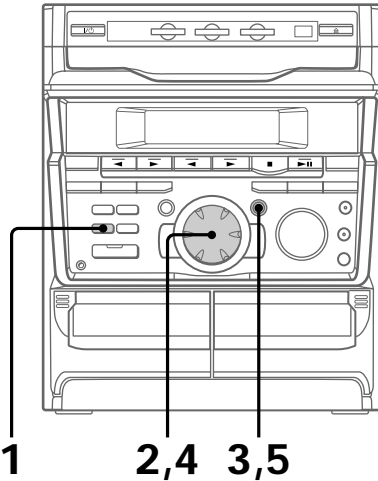
The test tone feature works only for Dolby Pro Logic Surround sound.

Step 3: Setting the time

You must set the time before using the timer functions.

The clock is on a 24-hour system for the European and Russian models, and a 12-hour system for other models.

The 12-hour system model is used for illustration purposes.



1 Press CLOCK/TIMER SET.
The hour indication flashes.



2 Turn the jog dial to set the hour.

Step 3: Setting the time (continued)

- 3** Press ENTER/NEXT.
The minute indication flashes.



- 4** Turn the jog dial to set the minute.

- 5** Press ENTER/NEXT.
The clock starts working.

Tips

- If you've made a mistake, start over from step 1.
- Setting the time deactivates the demo mode.
If you want to display the demo mode, press DEMO when the system is off.

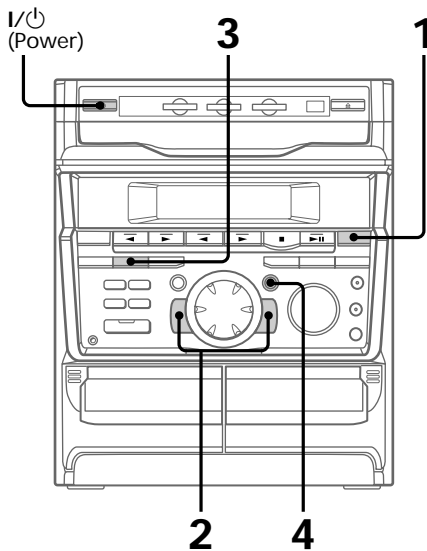
Note

The previous explanation shows you how to set the time while the system is off. To change the time while the system is on, do the following:

- 1** Press CLOCK/TIMER SET.
- 2** Turn the jog dial to select "SET CLOCK".
- 3** Press ENTER/NEXT.
- 4** Perform steps 2 through 5 above.

Step 4: Presetting radio stations

You can preset up to 30 stations, 20 for FM and 10 for AM.



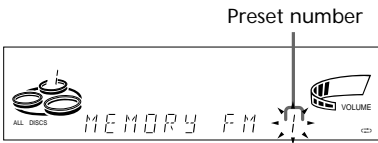
- 1** Press TUNER/BAND repeatedly until the band you want appears in the display.
Every time you press this button, the band changes as follows:
FM ↔ AM

-
- 2** Press and hold + or – until the frequency indication starts to change, then release.

Scanning stops when the system tunes in a station. “TUNED” and “STEREO” (for a stereo program) appear.



-
- 3** Press TUNER MEMORY.
A preset number flashes in the display.



-
- 4** Press ENTER/NEXT.
The station is stored.

-
- 5** Repeat steps 1 to 4 to store other stations.
-

To tune in a station with a weak signal

Press + or – repeatedly in step 2 to tune in the station manually.

To set another station to the exist preset number

Start over from step 1. After step 3, press + or – repeatedly to select the preset number you want to store the station.

To erase a preset number

- 1 Press and hold TUNER MEMORY until the preset number flashes in the display.
- 2 Press + or – repeatedly to select the preset number you want to erase.
If you want to erase all preset numbers, select “ALL ERASE”.
- 3 Press ENTER/NEXT.

When you erase a preset number, the total number of preset stations decreases by one. You can add a new preset number after the last preset number.

Tip

The preset stations are retained for half a day even if you unplug the power cord or if a power failure occurs.

Connecting optional AV components

To enhance your system, you can connect optional components. Refer to the instructions of each component.

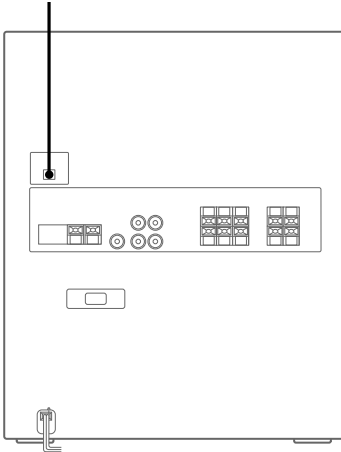
Connecting audio components

Select one of the following two connections, depending on the equipment to be connected and method of recording.

Connecting an MD deck for digital recording

You can record from CD into the MD deck digitally by connecting an optical cable.

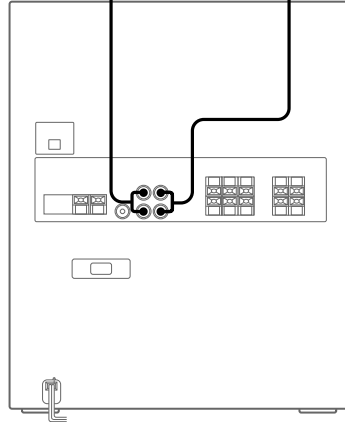
To the DIGITAL IN jack of the MD deck



Connecting an MD deck for analog recording

Make sure to match the color of the plugs and the connectors. To listen to the sound of the connected MD deck, press FUNCTION repeatedly until "MD" appears.

To the audio input of the MD deck To the audio output of the MD deck

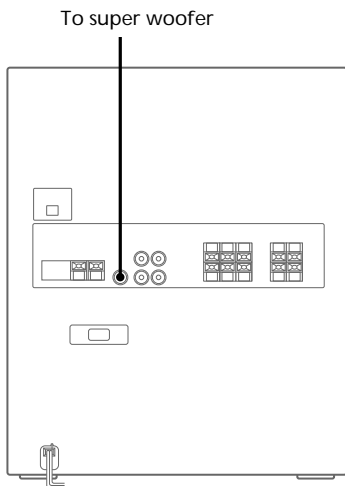


Note

If you cannot select "MD" by pressing FUNCTION, press I/⏻ while pressing FUNCTION when the system is turned off. "VIDEO" will be switched to "MD". To return to "VIDEO", do the same procedure.

Connecting a super woofer speaker

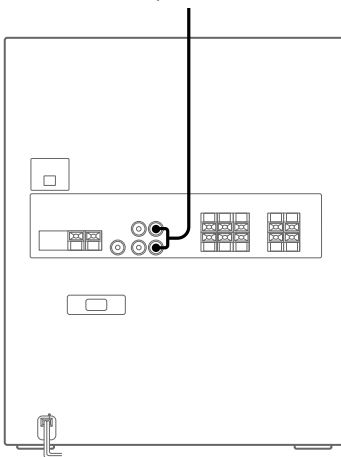
You can connect an optional super woofer speaker.



Connecting a VCR

Make sure to match the color of the plugs and the connectors. To listen to the sound of the connected VCR, press FUNCTION repeatedly until "VIDEO" appears.

To the audio output of the VCR



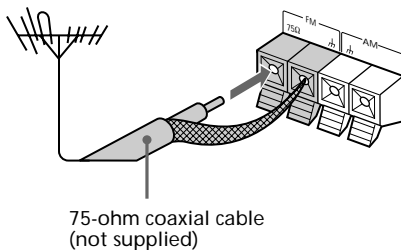
Connecting outdoor antennas

Connect the outdoor antenna to improve the reception.

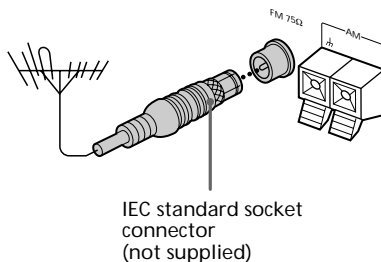
FM antenna

Connect the optional FM outdoor antenna. You can also use the TV antenna instead.

Jack type Ⓐ



Jack type Ⓑ

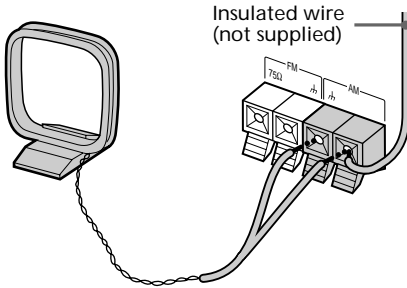


Connecting outdoor antennas (continued)

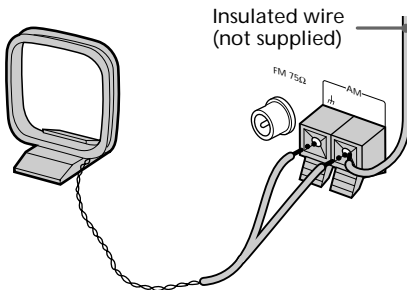
AM antenna

Connect a 6- to 15- meter (20- to 50- feet) insulated wire to the AM antenna terminal. Leave the supplied AM loop antenna connected.

Jack type (A)



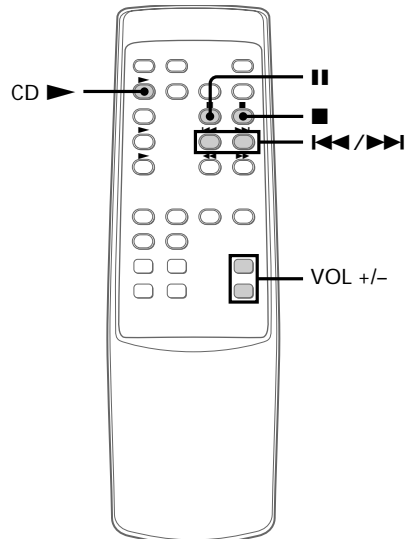
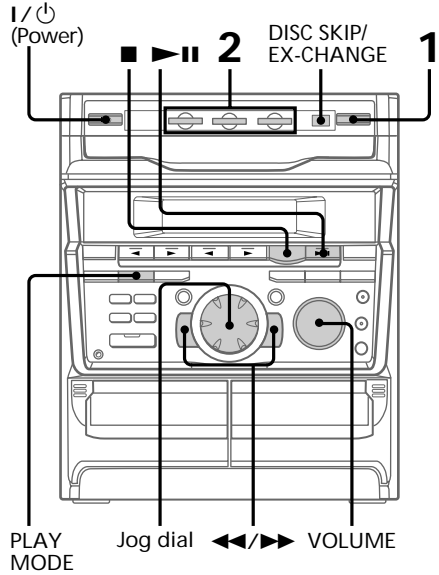
Jack type (B)



Playing a CD

— Normal play

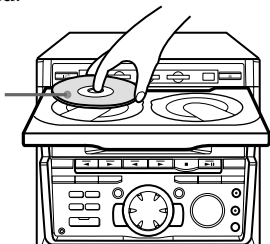
You can play up to three CDs in a row.



1 Press \triangle and place up to two CDs on the disc tray.

If a disc is not placed properly it will not be recognized.

With the label side up. When you play a single CD, place it on the inner circle of the tray.

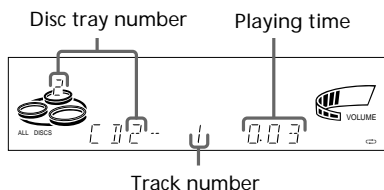


To insert a third disc, press DISC SKIP/EX-CHANGE to rotate the disc tray.

2 Press one of the DISC 1 – 3 buttons.

The disc tray closes and play starts.

If you press CD $\blacktriangleright\parallel$ (or CD \blacktriangleright on the remote) when the disc tray is closed, play starts from the CD loaded on the tray whose button is lit green.



To	Do this
Stop play	Press \blacksquare .
Pause	Press CD $\blacktriangleright\parallel$ (\parallel on the remote). Press again to resume play.
Select a track	During play or pause, turn the jog dial clockwise (to go forward) or counterclockwise (to go back) and release it when you reach the desired track. (Or press $\blacktriangleright $ (to go forward) or $ <<$ (to go back) on the remote.)
Find a point in a track	Press and hold down $\blacktriangleright\blacktriangleright$ or $<<<$ during play and release it at the desired point.
Select a CD in stop mode	Press DISC 1 – 3 or DISC SKIP/EX-CHANGE.
Play only the CD you have selected	Press PLAY MODE repeatedly until "1 DISC" appears.
Play all CDs	Press PLAY MODE repeatedly until "ALL DISCS" appears.
Remove the CD	Press \triangle .
Exchange other CDs while playing	Press DISC SKIP/EX-CHANGE.
Adjust the volume	Turn VOLUME (or press VOL +/- on the remote).

Playing a CD (continued)

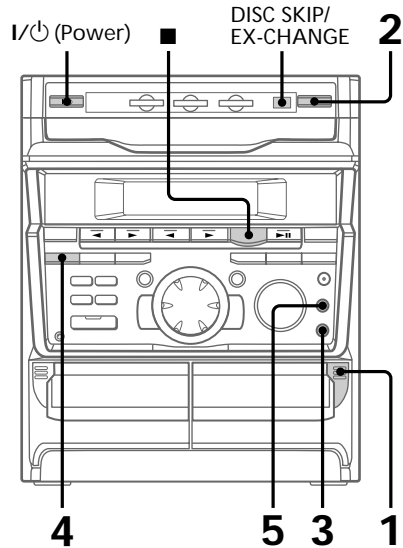
Tips


- Pressing CD ►|| when the system is off automatically turns the system on and starts CD playback if there is a CD in the tray (One Touch Play).
- You can switch from another source to the CD player and start playing a CD just by pressing CD ►|| or DISC 1 – 3 (Automatic Source Selection).
- If there is no CD in the player, "CD NO DISC" appears in the display.
- When a disc tray holding a CD is selected (or playing), the DISC 1 – 3 button for that tray lights green. When a disc tray holding a CD is not selected, the DISC 1 – 3 button for that tray lights orange. When all disc trays are empty, the DISC 1 – 3 buttons all light green.

Recording a CD

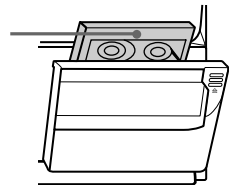
— CD Synchro Recording

The CD SYNC button lets you record from a CD to a tape easily. You can use TYPE I (normal) tapes.



- 1** Press  and insert a blank tape into deck B.

With the side you want to record facing forward



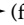
2 Press and place a CD.

Then press again to close the disc tray.
If the indicator for the tray you want to record is not lit green, press DISC SKIP / EX-CHANGE repeatedly so that it lights green.

With the label side up. When you play a single CD, place it on the inner circle of the tray.



3 Press CD SYNC.

Deck B stands by for recording and the CD player stands by for playback. The indicator on TAPE B  (for front side) lights up.

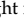
4 Press DIRECTION repeatedly to select to record on one side. Select (or RELAY) to record on both sides.

5 Press PAUSE. Recording starts.

To stop recording

Press .

Tips

- If you want to record from the reverse side, press TAPE B  to light its indicator after pressing CD SYNC in step 3.
- When you record on both sides, be sure to start from the front side. If you start from the reverse side, recording stops at the end of the reverse side.

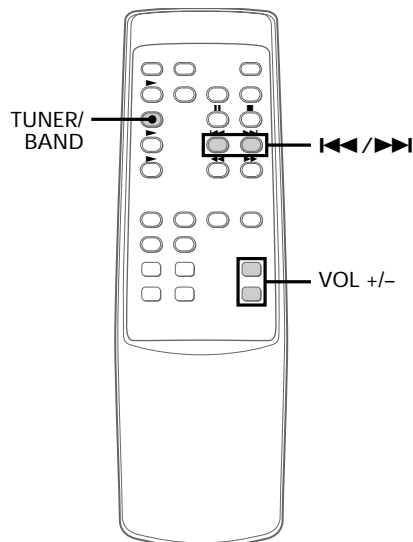
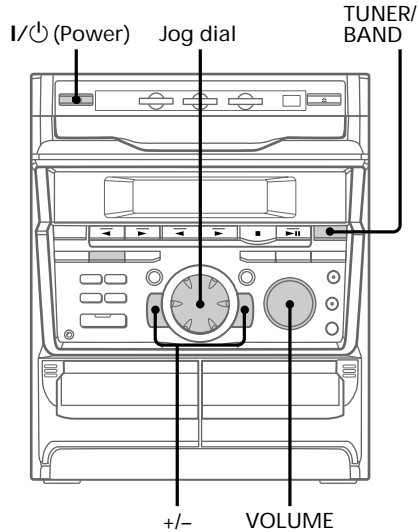
Note

You cannot listen to other sources while recording.

Listening to the radio

-- Preset Tuning

Preset radio stations in the tuner's memory first (see "Step 4: Presetting radio stations" on page 10).



Listening to the radio (continued)

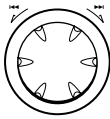
1 Press TUNER/BAND repeatedly until the band you want appears in the display.

Every time you press the button, the band changes as follows:

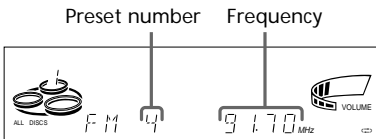
FM ↔ AM

2 Turn the jog dial (or press ◀◀ or ▶▶ on the remote) to tune in the desired preset station.

Turn counter-clockwise (or press ◀◀ on the remote) for lower preset numbers.



Turn clockwise (or press ▶▶ on the remote) for higher preset numbers.



To	Do this
Turn off the radio	Press I/⏻.
Adjust the volume	Turn VOLUME (or press VOL +/- on the remote).

To listen to non-preset radio stations (from front panel only)

Use manual or automatic tuning in step 2.

For manual tuning, press + or – repeatedly.

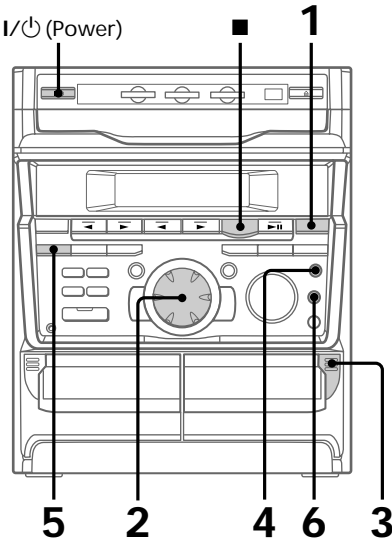
For automatic tuning, press and hold + or –.

Tips

- Pressing TUNER/BAND when the system is off automatically turns the system on and tunes to the last received station (One Touch Play).
- You can switch from another source to the radio just by pressing TUNER/BAND (Automatic Source Selection).
- When an FM program is noisy, press STEREO/MONO so that “MONO” appears in the display. There will be no stereo effect, but the reception will improve. Press the button again to restore the stereo effect.
- To improve broadcast reception, reorient the supplied antennas.

Recording from the radio

You can record the radio program on a tape by calling up a preset station. You can use TYPE I (normal) tapes.



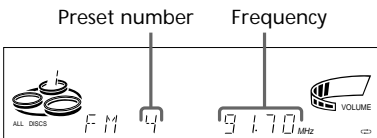
1 Press TUNER/BAND to select the band you want.

2 Turn the jog dial (or press **◀◀** or **▶▶** on the remote) to tune in a preset station.

Turn counter-clockwise (or press **◀◀** on the remote) for lower preset numbers.

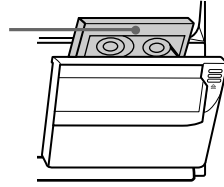


Turn clockwise (or press **▶▶** on the remote) for higher preset numbers.



3 Press **⏻** and insert a blank tape into deck B.

With the side you want to record facing forward



4 Press REC.
Deck B stands by for recording. The indicator on TAPE B **▶** (for front side) lights up.

5 Press DIRECTION repeatedly to select **↔** to record on one side. Select **↔↔** (or RELAY) to record on both sides.

6 Press PAUSE.
Recording starts.

To stop recording

Press **■**.

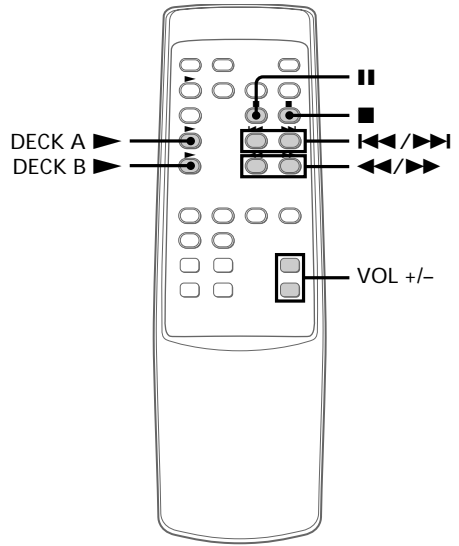
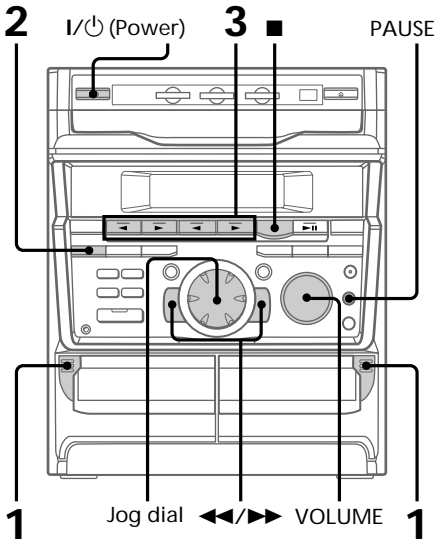
Tips

- If you want to record from the reverse side, press TAPE B **◀** to light its indicator after pressing REC in step 4.
- When you record on both sides, be sure to start from the front side. If you start from the reverse side, recording stops at the end of the reverse side.
- To record non-preset stations, use + and - in step 2 to tune in the desired station manually.
- If noise is heard while recording from the radio, move the respective antenna to reduce the noise.

Playing a tape

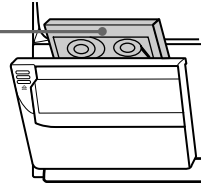
You can use TYPE I (normal) tapes. You can also use the jog dial's AMS* functions to quickly search for songs you want to hear. To select either deck A or B, press DECK A ► or DECK B ► on the remote.

* AMS (Automatic Music Sensor)



- 1 Press and insert a recorded tape in deck A or B.

With the side you want to play facing forward



- 2 Press DIRECTION repeatedly to select to play one side. Select * to play both sides.
To play both decks in succession, select RELAY (relay play).**

3 Press TAPE A ► or TAPE B ► (or DECK A ► or DECK B ► on the remote).

Press TAPE A ◀ or TAPE B ◀ to play the reverse side. (Press DECK A ► or DECK B ► again on the remote to play the reverse side.) The tape starts playing.

- * The deck stops automatically after repeating the sequence five times.
- **Relay play always follows the following sequence: Deck A (front side), Deck A (reverse side), Deck B (front side), Deck B (reverse side).

To	Do this
Stop play	Press ■.
Pause	Press PAUSE (or on the remote). Press again to resume play.
Fast-forward	Press ◀◀ or ▶▶.
Rewind	Press ◀◀ or ▶▶.
Remove the cassette	Press ⏏.
Adjust the volume	Turn VOLUME (or press VOL +/- on the remote).

Tips

- Pressing TAPE A ◀▶ or TAPE B ◀▶ when the system is off automatically turns the system on and starts tape playback if there is a tape in the deck (One Touch Play).
- You can switch from another source to the tape deck just by pressing TAPE A ◀▶ or TAPE B ◀▶ (Automatic Source Selection).

Searching for the start of the current or the next track (AMS)

During play, turn the jog dial to the same direction as the ◀ or ▶ indicator to go forward. "TAPE A (or TAPE B) >>> +1" appears. Turn to the opposite direction to go back. "TAPE A (or TAPE B) <<< -1" appears. (Or press ◀◀ or ▶▶ on the remote.)

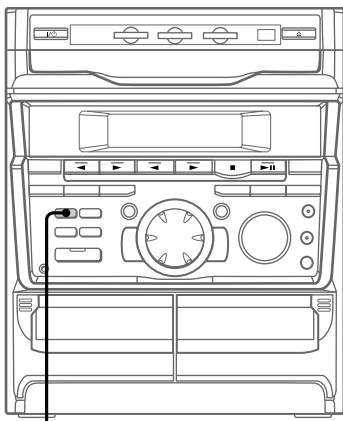
Notes

The AMS function may not operate correctly under the following circumstances:

- When the unrecorded space between songs is less than 4 seconds long.
- If completely different information is recorded on the left and right channels.
- When there are continuous sections of extremely low level or low frequency sound (like those of a baritone sax).
- When the unit is placed near a television. (In this case, we recommend moving the unit farther away from the television or turning off the television.)

Using the CD display

You can check the remaining time of the current track or that of the CD.



DISPLAY

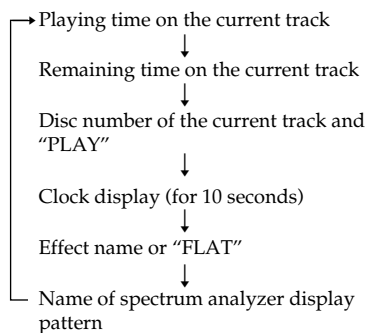
To check the total playing time and the number of tracks on a CD

Press DISPLAY in the stop mode.

If you press DISPLAY again, the clock display appears for 10 seconds then the display returns to the previous indication.

➔ Press DISPLAY during playback.

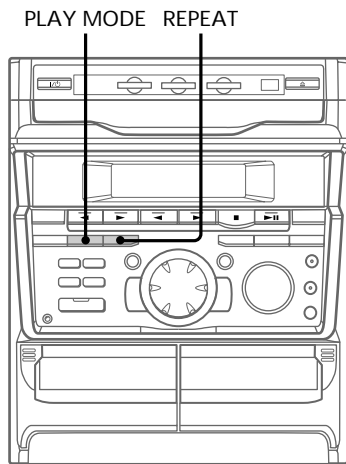
Each time you press the button during normal playback, the display changes as follows:



Playing the CD tracks repeatedly

-- Repeat Play

This function lets you repeat a single CD or all CDs in normal play, Shuffle Play and Program Play.



To cancel Repeat Play

Press REPEAT so that "REPEAT" or "REPEAT 1" disappears from the display.

➔ Press REPEAT during playback until "REPEAT" appears in the display.

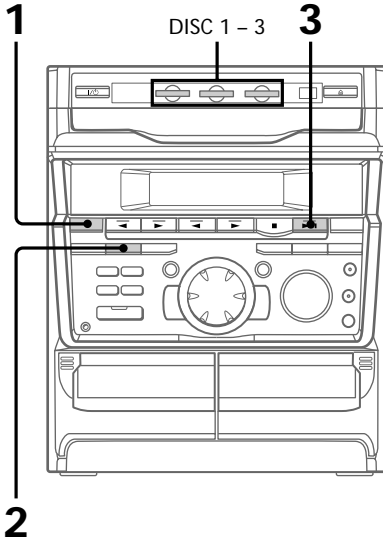
Repeat Play starts. Do the following procedure to change the repeat mode.

To repeat	Press
All the tracks on the current CD	PLAY MODE repeatedly until "1 DISC" appears in the display.
All the tracks on all CDs	PLAY MODE repeatedly until "ALL DISCS" appears in the display.
Only one track	REPEAT repeatedly until "REPEAT 1" appears in the display while playing the track you want to repeat.

Playing the CD tracks in random order

— Shuffle Play

You can play all the tracks on one CD or all CDs in random order.



1 Press FUNCTION repeatedly until “CD” appears in the display, then place CDs on the disc tray.

2 Press PLAY MODE repeatedly until “1 DISC SHUFFLE ” or “ALL DISCS SHUFFLE” appears in the display. “ALL DISCS” shuffles all the CDs in the player. “1 DISC” shuffles the CD whose DISC indicator is green.

3 Press CD ►||. “◀▶” appears and then all the tracks play in random order.

To cancel Shuffle Play

Press PLAY MODE repeatedly until “SHUFFLE” or “PROGRAM” disappears from the display. The tracks continue playing in their original order.

To select a desired CD

Press DISC 1 – 3.

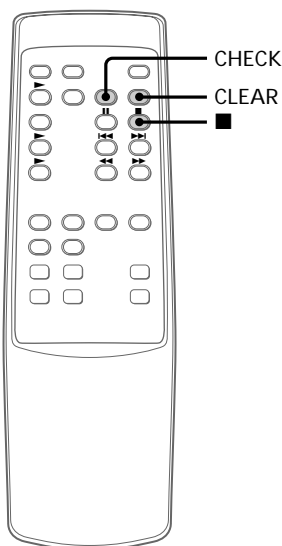
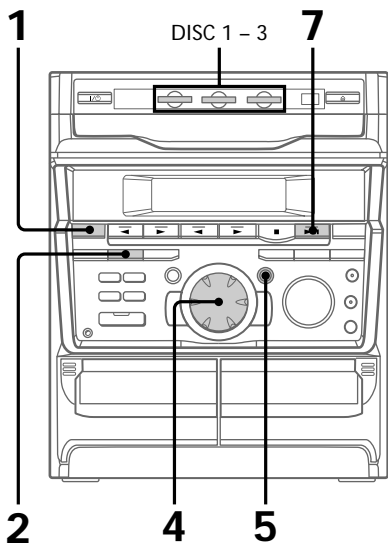
Tips

- You can start Shuffle Play during normal play by pressing PLAY MODE repeatedly to select “SHUFFLE”.
- To skip a track, turn the jog dial clockwise (or press ►▶ on the remote).

Programming the CD tracks

— Program Play

You can make a program of up to 32 tracks from all the CDs in the order you want them to be played.

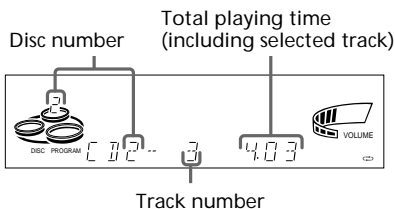


1 Press FUNCTION repeatedly until “CD” appears in the display, then place CDs on the disc tray.

2 Press PLAY MODE repeatedly until “PROGRAM” appears in the display.

3 Press one of the DISC 1 – 3 buttons to select a CD.

4 Turn the jog dial until the desired track appears in the display.



5 Press ENTER/NEXT.
The track is programmed. The program step number appears, followed by the total playing time.

6 To program additional tracks, repeat steps 3 to 5.
Skip step 3 to select tracks from the same disc.

7 Press CD ►||.
All the tracks play in the order you selected.

Programming the CD tracks (continued)

To cancel Program Play

Press PLAY MODE repeatedly until "PROGRAM" or "SHUFFLE" disappears from the display.

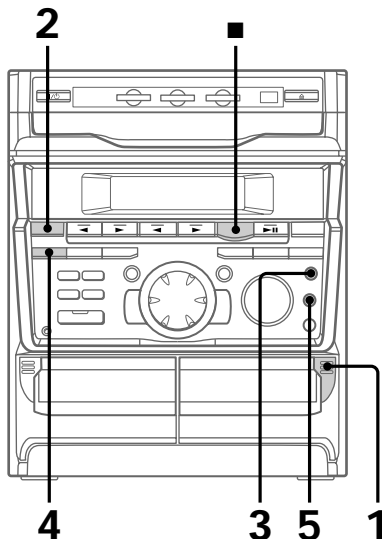
To	Press
Check the program	CHECK on the remote repeatedly. After the last track, "CHECK END" appears.
Clear a track from the end	CLEAR on the remote in stop mode.
Clear a specific track	CHECK on the remote repeatedly until the number of the track to be erased lights up, then press CLEAR.
Add a track to the program	<ol style="list-style-type: none"> 1 Select the disc tray with a DISC 1 – 3 button. 2 Select the track by turning the jog dial. 3 Press ENTER/NEXT.
Clear the entire program	■ once in stop mode or twice while playing.

Tips

- The program you made remains in the CD player even after it has been played back. Press CD ►|| to play the same program again.
- If "--:--" appears instead of the total playing time during programming, this means:
 - you have programmed a track number which exceeds 20.
 - the total playing time has exceeded 100 minutes.

Recording on a tape manually

You can record from CD, tape, or radio as you like. For example, you can record just the songs you want or record from the middle of the tape. The recording level is adjusted automatically.



- 1** Insert a blank tape into deck B.
- 2** Press FUNCTION repeatedly until the source you want to record (e.g., CD) appears.
- 3** Press REC.
Deck B stands by for recording. The indicator on TAPE B ► (for front side) lights up.

4 Press DIRECTION repeatedly to select \leftarrow to record on one side. Select \leftrightarrow (or RELAY) to record on both sides.

5 Press PAUSE.
Recording starts.

6 Start playing the source to be recorded.

To	Press
Stop recording	■.
Pause recording	PAUSE.

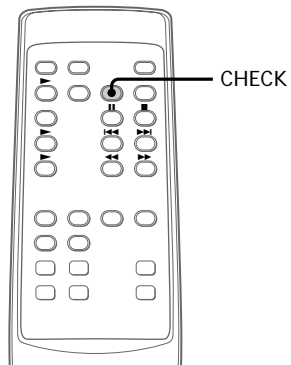
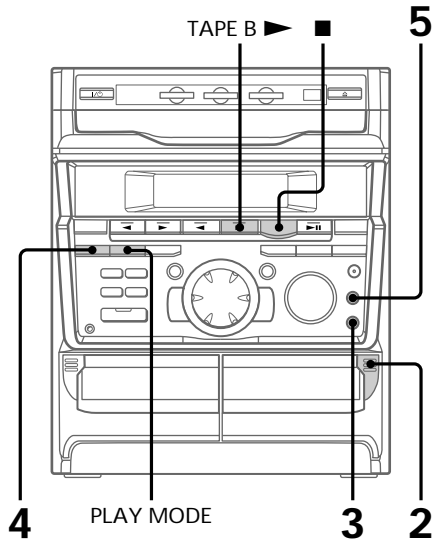
Tips

- If you want to record from the reverse side, press TAPE B \blacktriangleleft to light its indicator after pressing REC in step 3.
- When recording from a CD, you can use the jog dial to select tracks during rec pause mode (after pressing REC in step 3 and before pressing PAUSE in step 5).



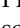

Recording CDs by specifying track order

— Program Edit

You can record tracks from all the CDs in the order you want. When programming, make sure the playing times for each side do not exceed the length of one side of the tape.



Recording CDs by specifying track order (continued)

- 1** Follow steps 1 to 6 in “Programming the CD tracks” (see page 25).
 - 2** Press  and insert a blank tape into deck B.
 - 3** Press CD SYNC.
Deck B stands by for recording and the CD player stands by for playback. The indicator on TAPE B  (for front side) lights up.
 - 4** Press DIRECTION repeatedly to select  to record on one side. Select  (or RELAY) to record on both sides.
 - 5** Press PAUSE.
Recording starts.
-

To stop recording

Press .

To check the order

Press CHECK on the remote repeatedly. After the last track, “CHECK END” appears.

To cancel Program Edit

Press PLAY MODE repeatedly until “PROGRAM” or “SHUFFLE” disappears from the display.

Selecting tape length automatically

— Tape Select Edit

You can check the most suitable tape length for recording a CD. Note that you cannot use Tape Select Edit for discs containing over 20 tracks.

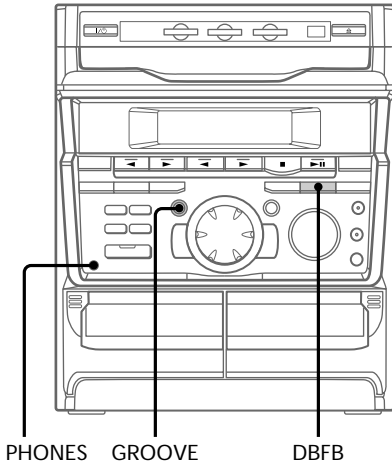
- 1** Place a CD on the disc tray.
If the indicator for the tray you want to record is not lit green, press DISC SKIP/EX-CHANGE repeatedly so that it lights green.
 - 2** Press FUNCTION repeatedly until “CD” appears in the display.
 - 3** Press EDIT once, so that “EDIT” flashes.
The required tape length for the currently selected CD appears, followed by the total playing time for side A and side B respectively.
-

Note


You cannot use this function after programming. In order to use this function, you must first cancel the program by pressing PLAY MODE repeatedly until “PROGRAM” or “SHUFFLE” disappears from the display.

Adjusting the sound

You can reinforce the bass, create a more powerful sound, and listen with headphones.



Notes

- With some songs, the music will sound distorted when you use the DBFB system with the sound effect if the bass is too strong. Set the DBFB to “NORMAL” or “OFF”, or cancel the sound effect (see page 30).
- Cancelling GROOVE sets DBFB to “DBFB  ” and return to the previous equalizer curve. To cancel the DBFB level, press DBFB until the indication disappears.

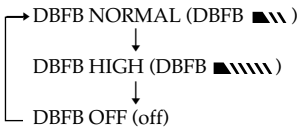
To listen through the headphones

Connect the headphones to PHONES jack. No sound will come from the speakers.

To reinforce bass (DBFB)

Press DBFB*.

Every time you press the button, the DBFB level display changes as follows:



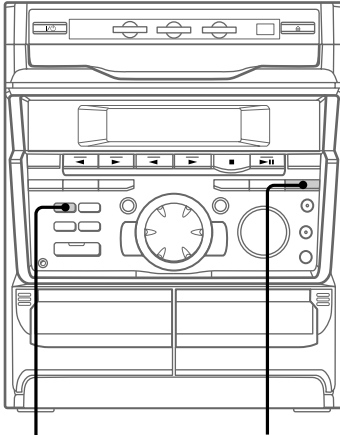
* DBFB = Dynamic Bass Feedback

For a powerful sound (GROOVE)

Press GROOVE. The volume switches to power mode, DBFB is automatically set to full strength, the equalizer curve changes, and the “GROOVE” button lights up. Press GROOVE again to return to the previous volume.

Selecting the audio emphasis

The audio emphasis menu lets you select the sound characteristic according to the sound you are listening to.



DISPLAY

FILE SELECT

To change the spectrum analyzer display

Press DISPLAY repeatedly to select one of the displays below.

Pattern ①



(Changes with music)

Pattern ②



Note

The spectrum analyzer display changes each time you cycle through the information display (i.e., function → clock → effect).

➔ Press FILE SELECT repeatedly until the effect (ROCK, POP, JAZZ or DANCE) you desire appears in the display.

To cancel the effect

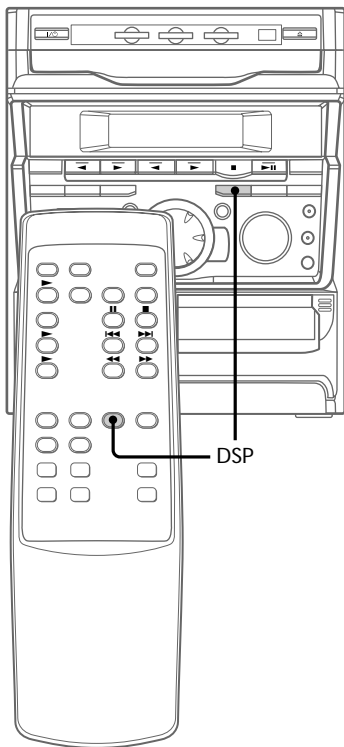
Press FILE SELECT repeatedly until "FLAT" appears in the display.

Tip

"SUR |||||■■■■" appears if you select an effect with surround effects.

Selecting surround effects

You can enjoy surround effects.



➔ Press DSP repeatedly to select the surround effect you desire.

SURROUND ON: Reproduces stereo sources in surround sound.

HALL: Reproduces the acoustics of a concert hall.*

THEATER: Reproduces the acoustics of a movie theater.*

ENHANCED THEATER: Reproduces the acoustics of a large movie theater.*

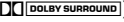
DSP OFF: Turns off the DSP mode.

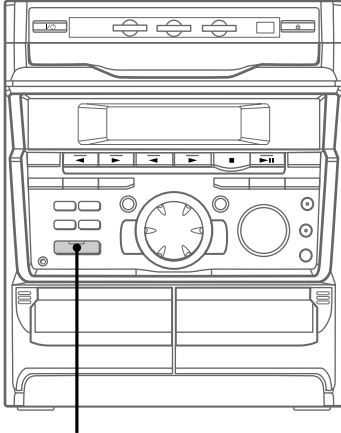
* The indicator on the front panel's DSP button lights up.

Note

When you choose other sound effects, the surround effects will be canceled.

Enjoying Dolby Pro Logic Surround sound

You can enjoy the Dolby Pro Logic Surround sound of videos that are Dolby Surround encoded (). Complete the setup and adjustments first (see page 5).



DOLBY PROLOGIC

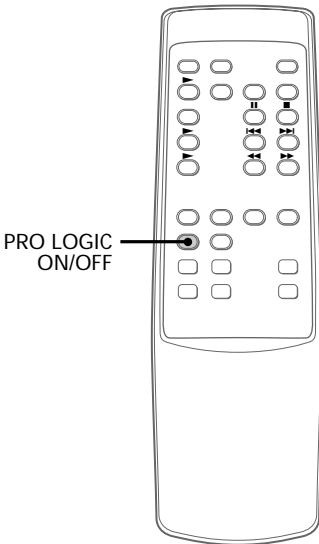
-
- ➔ Press DOLBY PROLOGIC (or PRO LOGIC ON/OFF on the remote) while playing a program source. The indicator on the front panel's DOLBY PROLOGIC button lights up.
-

To cancel the Dolby Pro Logic Surround sound

Press DOLBY PROLOGIC (or PRO LOGIC ON/OFF on the remote) again to turn off the indicator on the front panel's DOLBY PROLOGIC button.

Notes

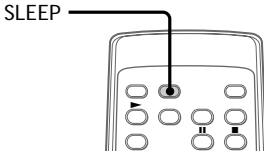
- You can't use both Dolby Pro Logic Surround sound and the DSP surround effects at the same time.
- When recording the sound, be sure to turn off Dolby Pro Logic Surround sound.



Falling asleep to music

— Sleep Timer

You can let the system turn off at the preset time, so you can sleep to the music. You can preset the time to be turned off by 10 minutes.



➔ Press SLEEP.

Every time you press the button, the minute display (the turn-off time) changes as follows:

AUTO → 90min → 80min → 70min
→ ... → 10min → OFF → AUTO ...

When you choose "AUTO"

The system turns off when the current CD or tape finishes playback (for up to 100 minutes).

To check the remaining time

Press SLEEP once.

To change the time to turn off

Select the time you want by pressing SLEEP.

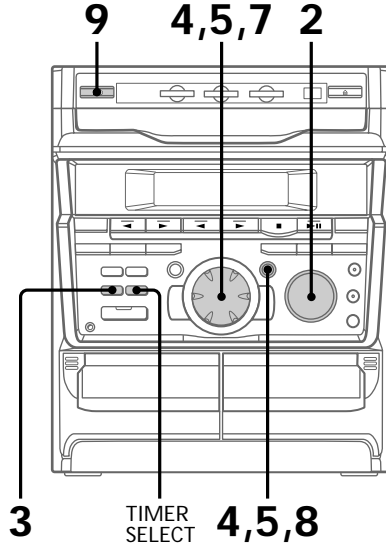
To cancel the Sleep Timer function

Press SLEEP repeatedly until "OFF" appears.

Waking up to music

— Daily Timer

You can wake up to music at a preset time every day. Make sure you have set the clock (see "Step 3: Setting the time" on page 9).



1 Prepare the music source you want to play.

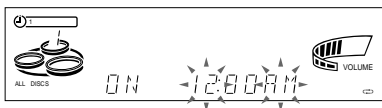
- CD: Place a CD. To start from a specific track, make a program (see "Programming the CD tracks" on page 25).
- Tape: Insert a tape with the side you want to play facing forward.
- Radio: Tune in the preset station you want (see "Step 4: Presetting radio stations" on page 10).

2 Turn VOLUME to adjust the volume.

Waking up to music (continued)

-
- 3** Press CLOCK/TIMER SET.
"SET (DAILY 1)" appears.
-

- 4** Turn jog dial to select DAILY 1 or 2,
then press ENTER/NEXT.
"ON" appears and the hour digits flash
in the display.



-
- 5** Set the time to start playback.
Turn jog dial to set the hour, then press
ENTER/NEXT.
The minute indication starts flashing.



Turn jog dial to set the minute, then
press ENTER/NEXT.
The hour indication flashes again.

-
- 6** Set the time to stop playback
following the above procedure.
-

- 7** Turn jog dial until the music source
you want appears.

The indications change as follows:



-
- 8** Press ENTER/NEXT.
The type of timer (DAILY 1 or DAILY 2),
followed by the start time, stop time and
the music source, appears, then the
original display appears.
-

- 9** Turn off the system.
-

To check the setting

Press TIMER SELECT and turn the jog dial to
select the respective mode (DAILY 1 or
DAILY 2), then press ENTER/NEXT.
To change the setting, start over from step 1.

To cancel the timer operation

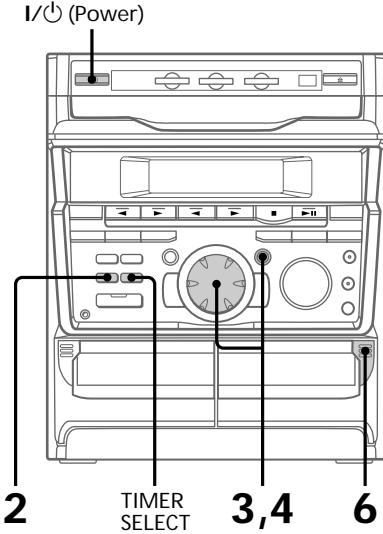
Press TIMER SELECT and turn the jog dial to
select "TIMER OFF", then press ENTER/
NEXT.

Tip

The system turns on 15 seconds before the preset
time.

Timer-recording radio programs

To timer-record, you must preset the radio station (see "Step 4: Presetting radio stations" on page 10) and set the clock (see "Step 3: Setting the time" on page 9) beforehand.



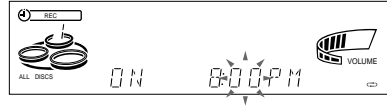
1 Tune in the preset radio station (see "Listening to the radio" on page 17).

2 Press CLOCK/TIMER SET.
"SET (DAILY 1)" appears.

3 Turn jog dial to select REC, then press ENTER/NEXT.
"ON" appears and the hour digits flash in the display.



4 Set the time to start recording.
Turn the jog dial to set the hour, then press ENTER/NEXT.
The minute indication starts flashing.



Turn the jog dial to set the minute, then press ENTER/NEXT.
The hour indication flashes again.

5 Set the time to stop recording following the above procedure.
The start time appears, followed by the stop time, the preset radio station to be recorded (e.g., "TUNER FM 5"), then the original display appears.

6 Insert a recordable tape.

7 Turn off the system.
When the recording starts, the volume level is set to the minimum.

Timer-recording radio programs (continued)

To check the setting

Press **TIMER SELECT** and turn the jog dial to select "REC", then press **ENTER/NEXT**.

To change the setting, start over from step 1.

To cancel the timer operation

Press **TIMER SELECT** and turn the jog dial to select "TIMER OFF", then press **ENTER/NEXT**.

Notes

- If the system is on at the preset time, the recording will not be made.
- You cannot set the timer if the timer on and off times are the same.
- When you set the Sleep Timer, the Timer-recording will not turn on the system until the Sleep Timer turns it off.
- You cannot activate the Timer-recording and Daily Timer at the same time.

Precautions

On operating voltage

Before operating the system, check that the operating voltage of your system is identical with the voltage of your local power supply.

On safety

- The system is not disconnected from the AC power source (mains) as long as it is connected to the wall outlet, even if the system itself has been turned off.
- Unplug the system from the wall outlet (mains) if it is not to be used for an extended period of time. To disconnect the cord (mains lead), pull it out by the plug. Never pull the cord itself.
- Should any solid object or liquid fall into the component, unplug the system and have the component checked by qualified personnel before operating it any further.
- The AC power cord must be changed only at the qualified service shop.

On placement

- Place the system in a location with adequate ventilation to prevent heat build-up in the system.
- Do not place the system in an inclined position.
- Do not place the system in locations where it is;
 - Extremely hot or cold
 - Dusty or dirty
 - Very humid
 - Vibrating
 - Subject to direct sunlight

On operation

- If the system is brought directly from a cold to a warm location, or is placed in a very damp room, moisture may condense on the lens inside the CD player. Should this occur, the system will not operate properly. Remove the CD and leave the system turned on for about an hour until the moisture evaporates.
- When you move the system, take out any discs.

If you have any questions or problems concerning your system, please consult your nearest Sony dealer.

Notes on CDs

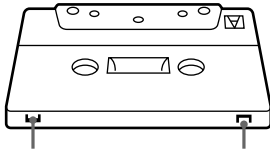
- Before playing, clean the CD with a cleaning cloth. Wipe the CD from the center out.
- Do not use solvents such as benzene, thinner, commercially available cleaners or anti-static spray intended for vinyl LPs.
- Do not expose the CD to direct sunlight or heat sources such as hot air ducts, nor leave it in a car parked in direct sunlight.

Cleaning the cabinet

Use a soft cloth slightly moistened with mild detergent solution.

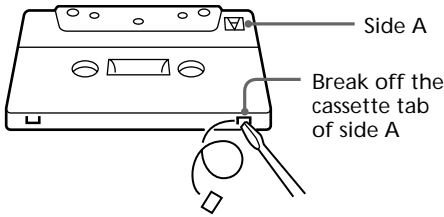
To save a tape permanently

To prevent a tape from being accidentally recorded over, break off the cassette tab from side A or B as illustrated.

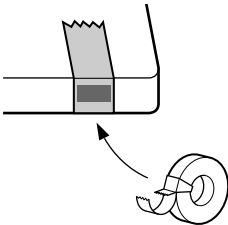


Tab of side B

Tab of side A



If you later want to reuse the tape for recording, cover the broken tab with adhesive tape.



Before placing a cassette in the tape deck

Take up any slack in the tape. Otherwise the tape may get entangled in the parts of the tape deck and become damaged.

When using a tape longer than 90 minutes

The tape is very elastic. Do not change the tape operations such as play, stop, and fast-winding etc. frequently. The tape may get entangled in the tape deck.

Cleaning the tape heads

Clean the tape heads after every 10 hours of use.

When the tape heads become dirty;

- the sound is distorted
- there is a decrease in sound level
- the sound drops out
- the tape does not erase completely
- the tape does not record

Make sure to clean the tape heads before you start an important recording or after playing an old tape. Use separately sold dry-type or wet-type cleaning cassette. For details, refer to the instructions of the cleaning cassette.

Demagnetizing the tape heads

Demagnetize the tape heads and the metal parts that have contact with the tape every 20 to 30 hours of use with a separately sold demagnetizing cassette. For details, refer to the instructions of the demagnetizing cassette.

Troubleshooting

If you run into any problem using this system, use the following check list. First, check that the power cord is connected firmly and the speakers are connected correctly and firmly. Should any problem persist, consult your nearest Sony dealer.

General

The display starts flashing as soon as you plug in the power cord even though you haven't turned on the system (demonstration mode).

- Press DEMO when the system is turned off. The demonstration disappears. The demonstration mode appears automatically the first time you plug in the power cord.

The clock setting/radio setting/timer is canceled.

- The power cord is disconnected or a power failure occurs longer than half a day. Redo the following:
 - Clock setting (see "Step 3: Setting the time" on page 9)
 - Preset stations (see "Step 4: Presetting radio stations" on page 10)
 - Timer settings (see "Waking up to music" on page 33 and "Timer-recording radio programs" on page 35).

There is no sound.

- Rotate VOLUME clockwise.
- The headphones are connected.
- Insert only the stripped portion of the speaker cord into the SPEAKER jack. Inserting the vinyl portion of the speaker cord will obstruct the speaker connections.
- There is no audio output during timer recording.

There is severe hum or noise.

- A TV or VCR is placed too close to the system. Move the system away from the TV or VCR.

The sound from the connected source is distorted.

- If "VIDEO" appears in the display when you press FUNCTION, switch the display to "MD".

"0:00" (or "12:00") flashes in the display.

- A power interruption occurred. Set the clock and timer settings again.

The timer does not function.

- Set the clock correctly.

"DAILY 1", "DAILY 2", and "REC" do not appear when you press the TIMER SELECT button.

- Set the timer correctly.
- Set the clock.

The remote does not function.

- There is an obstacle between the remote and the system.
- The remote is not pointing in the direction of the system's sensor.
- The batteries have run down. Replace the batteries.

There is acoustic feedback.

- Decrease the volume level.
- Move the microphone away from the speakers or change the direction of the microphone.

The color irregularity on a TV screen persists.

- Turn off the TV set once, then turn it on after 15 to 30 minutes. If the color irregularity still persists, place the speakers farther away from the TV set.
-

Speakers

Sound comes from one channel or unbalanced left and right volume.

- Check the speaker connection and speaker placement.

The sound comes from the center speaker only.

- The source being played back is monaural. Press DOLBY PROLOGIC to turn off the Pro Logic mode.

There is no sound from the center speaker.

- Adjust the center speaker volume (see “Adjusting the speaker volume” on page 8).

There is no sound from the rear speakers.

- Adjust the rear speaker volume (see “Adjusting the speaker volume” on page 8).
- The software being played back has limited sound effects. Check the volume with the test tone.

Sound lacks bass.

- Check that the speaker’s + and – jacks are connected correctly.

CD Player

The CD tray does not close.

- The CD is not placed properly.

The CD will not play.

- The CD is not lying flat in the disc tray.
- The CD is dirty.
- The CD is inserted label side down.
- Moisture condensation has built up. Remove the CD and leave the system turned on for about an hour until the moisture evaporates.

Play does not start from the first track.

- The player is in program or shuffle mode. Press PLAY MODE repeatedly until “PROGRAM” or “SHUFFLE” disappear.

“OVER” is displayed.

- You have reached the end of the CD. Press and hold ◀◀ to return.

Tape Deck

The tape does not record.

- No tape in the cassette holder.
- The tab has been removed from the cassette (see “To save a tape permanently” on page 37).
- The tape has reeled to the end.

The tape does not record nor play or there is a decrease in sound level.

- The heads are dirty. Clean them (see “Cleaning the tape heads” on page 37).
- The record/playback heads are magnetized. Demagnetize them (see “Demagnetizing the tape heads” on page 37).

The tape does not erase completely.

- The record/playback heads are magnetized. Demagnetize them (see “Demagnetizing the tape heads” on page 37).

There is excessive wow or flutter, or the sound drops out.

- The capstans or pinch rollers are dirty. Clean them (see “Cleaning the tape heads” on page 37).

Noise increases or the high frequencies are erased.

- The record/playback heads are magnetized. Demagnetize them (see “Demagnetizing the tape heads” on page 37).

After pressing ► (◀) or ⏏, there is a mechanical noise, “EJECT” appears in the display, and the unit enters standby mode automatically.

- The cassette tape was not inserted correctly. Eject the tape and turn the system back on.

Tuner

Severe hum or noise (“TUNED” or “STEREO” flashes in the display).

- Adjust the antenna.
- The signal strength is too weak. Connect the external antenna.

A stereo FM program cannot be received in stereo.

- Press STEREO/MONO so that “STEREO” appears.

If other troubles not described above occur, reset the system as follows:

- 1 Unplug the power cord.
- 2 Plug the power cord back in.
- 3 Press I/⏻.
- 4 Press ■ and I/⏻ at the same time.

The system is reset to the factory settings. All the settings you made, such as the preset stations, clock, and timer are cleared. You should set them again.

Specifications

For the U.S. model

AUDIO POWER SPECIFICATIONS

POWER OUTPUT AND TOTAL HARMONIC DISTORTION:

With 6 ohm loads, both channels driven, from 70 – 20,000 Hz; rated 60 watts per channel minimum RMS power, with no more than 0.9% total harmonic distortion from 250 milliwatts to rated output.

Amplifier section

MHC-RXD6AV (North American model):

Front Speaker:

Continuous RMS power output (reference)
70 + 70 watts

(6 ohms at 1 kHz,

10% THD)

Total harmonic distortion less than 0.07%

(6 ohms at 1 kHz, 35 W)

Center Surround Speaker:

Continuous RMS power output (reference)

30 watts

(12 ohms at 1 kHz,

1% THD)

Rear Surround Speaker:

Continuous RMS power output (reference)

15 + 15 watts

(6 ohms at 1 kHz,

1% THD)

MHC-RXD6AV (European model):

Front Speaker:

DIN power output (rated) 50 + 50 watts

(6 ohms at 1 kHz, DIN)

Continuous RMS power output (reference)

60 + 60 watts

(6 ohms at 1 kHz,

10% THD)

Music power output (reference)

100 + 100 watts

(6 ohms at 1 kHz,

10% THD)

Center Surround Speaker:

DIN power output (rated) 25 watts
(12 ohms at 1 kHz, DIN)
Continuous RMS power output (reference)
30 watts
(12 ohms at 1 kHz,
10% THD)
Music power output (reference)
50 watts
(12 ohms at 1 kHz,
10% THD)

Rear Surround Speaker:

DIN power output (rated) 12.5 + 12.5 watts
(6 ohms at 1 kHz, DIN)
Continuous RMS power output (reference)
15 + 15 watts
(6 ohms at 1 kHz,
10% THD)
Music power output (reference)
25 + 25 watts
(6 ohms at 1 kHz,
10% THD)

MHC-GRX40AV (Other models):

The following measured at AC 120, 240 V, 50/60 Hz

Front Speaker:

DIN power output (rated) 60 + 60 watts
(6 ohms at 1 kHz, DIN)
Continuous RMS power output (reference)
70 + 70 watts
(6 ohms at 1 kHz,
10% THD)

Center Surround Speaker:

DIN power output (rated) 25 watts
(12 ohms at 1 kHz, DIN)
Continuous RMS power output (reference)
30 watts
(12 ohms at 1 kHz,
10% THD)

Rear Surround Speaker:

DIN power output (rated) 12.5 + 12.5 watts
(6 ohms at 1 kHz, DIN)
Continuous RMS power output (reference)
15 + 15 watts
(6 ohms at 1 kHz,
10% THD)

Inputs

MD/VIDEO IN: voltage 450 mV/250 mV
(phono jacks) impedance 47 kilohms

Outputs

MD/VIDEO OUT: voltage 250 mV
(phono jacks) impedance 1 kilohm
PHONES: accepts headphones of
(stereo phone jack) 8 ohms or more
FRONT SPEAKER: accepts impedance of 6 to
16 ohms
REAR SPEAKER: accepts impedance of 6 to
16 ohms
CENTER SPEAKER: accepts impedance of 12
to 16 ohms
SUPER WOOFER: Voltage 1 V, impedance
1 kilohm

CD player section

System Compact disc and digital
audio system

Laser Semiconductor laser
(λ=780 nm)

Laser output Emission duration:
continuous
Max. 44.6 μW*
*This output is the value
measured at a distance of
200 mm from the
objective lens surface on
the Optical Pick-up Block
with 7 mm aperture.

Frequency response 20 Hz – 20 kHz (±0.5 dB)
Wavelength 780 – 790 nm
Signal-to-noise ratio More than 90 dB
Dynamic range More than 90 dB

CD DIGITAL OUTPUT
(Square optical connector jack, rear panel)
Wavelength 600 nm
Output Level -18 dBm

Specifications (continued)

Tape player section

Recording system	4-track 2-channel stereo
Frequency response (DOLBY NR OFF)	60 – 13,000 Hz (± 3 dB), using Sony TYPE I cassette
Wow and flutter	$\pm 0.15\%$ W.Peak (IEC) 0.1% W.RMS (NAB) $\pm 0.2\%$ W.Peak (DIN)

Tuner section

FM stereo, FM/AM superheterodyne tuner

FM tuner section

Tuning range	87.5 – 108.0 MHz
Antenna	FM lead antenna
Antenna terminals	75 ohm unbalanced
Intermediate frequency	10.7 MHz

AM tuner section

Tuning range	
North American model:	530 – 1,710 kHz
Other models:	531 – 1,602 kHz (with the interval set at 9 kHz) 530 – 1,710 kHz (with the interval set at 10 kHz)
Antenna	AM loop antenna
Antenna terminals	External antenna terminal
Intermediate frequency	450 kHz

Speaker

Front Speaker

SS-RXD6EAV for European model

Speaker system	3-way, bass-reflex type magnetically shielded type
Speaker units	
Woofer:	17 cm, cone type
Tweeter:	5 cm, cone type
Super Tweeter:	2 cm, ceramic type
Nominal impedance:	6 ohms
Dimensions (w/h/d)	Approx. 220 x 340 x 240 mm ($8\frac{3}{4} \times 13\frac{1}{2} \times 9\frac{1}{2}$ in)
Mass	Approx. 4.0 kg (8 lb 13 oz.) net per speaker

SS-RXD6AV for North American model SS-GRX40AV for Other models

Speaker system	3-way, bass-reflex type magnetically shielded type
Speaker units	
Woofer:	17 cm, cone type
Tweeter:	5 cm, cone type
Super Tweeter:	2 cm, ceramic type
Nominal impedance	6 ohms
Dimensions (w/h/d)	Approx. 220 x 340 x 240 mm ($8\frac{3}{4} \times 13\frac{1}{2} \times 9\frac{1}{2}$ in)
Mass	Approx. 4.0 kg (8 lb 13 oz.) net per speaker

Rear Surround Speaker (SS-SR115)

Speaker system	1-way, 1-unit, bass-reflex type
Speaker units	
Full-range:	10 cm, cone type
Nominal impedance	6 ohms
Dimensions (w/h/d)	Approx. 120 x 175 x 140 mm ($4\frac{3}{4} \times 7 \times 5\frac{3}{8}$ in)
Mass	Approx. 0.8 kg (1 lb 12 oz.) net per speaker

Center Surround Speaker (SS-CN115)

Speaker system	1-way, 1-unit, bass-reflex type magnetically shielded
Speaker units	
Full-range:	10 cm, cone type
Nominal impedance	12 ohms
Dimensions (w/h/d)	Approx. 280 x 120 x 140 mm ($11\frac{1}{8} \times 4\frac{3}{4} \times 5\frac{5}{8}$ in)
Mass	Approx. 1.3 kg (2 lb 14 oz.) net per speaker

For customers in Canada

Use only the supplied SS-SR115 rear surround speaker for connection to the REAR SPEAKER jacks, the supplied SS-CN115 center surround speaker for connection to the CENTER SPEAKER jacks on the MHC-RXD6AV.

General

Power requirements

North American model: 120 V AC, 60 Hz
European model: 230 V AC, 50/60 Hz
Australian and South African model:
240 V AC, 50/60 Hz
Mexican model: 120 V AC, 50/60 Hz

Power consumption

190 watts

Dimensions (w/h/d)

Approx.
280 x 340 x 390 mm
(11 ¹/₈ x 13 ¹/₂ x 15 ³/₈ in)

Mass

North American model: Approx. 9.4 kg
(20 lb 12 oz.)
Other models: Approx. 9.2 kg
(20 lb 5 oz.)

Supplied accessories:

AM loop antenna (1)
Remote (1)
FM lead antenna (1)
Speaker cords (2)
Center speaker pads (4)

Design and specifications are subject to change without notice.

Index

A

- Adjusting
 - the audio emphasis 30
 - the sound 29
 - the volume 9, 15, 18, 21
- Antennas 4, 13
- Automatic Source Selection 16, 18, 21

B

- Batteries 5

C

- CD player 14, 22
- CD Synchro Recording 16
- Clock setting 9
- Connecting. *See* Hooking up

D, E, F, G

- Daily timer 33
- Display 22, 30
- Dolby Pro Logic Surround 32

H, I, J, K, L, M

- Hooking up
 - optional components 12
 - the antennas 4, 13
 - the power 8
 - the speakers 5

N

- Normal Play 14

O

- One Touch Play 16, 18, 21

P, Q

- Playing
 - a CD 14
 - a preset radio station 17
 - tracks in random order (Shuffle Play) 24
 - tracks in the desired order (Program Play) 25
 - tracks repeatedly (Repeat Play) 23
- Presetting radio stations 10
- Preset tuning 17
- Program Edit 27
- Program Play 25
- Protecting recordings 37

R

- Radio stations
 - presetting 10
 - tuning in 17
- Recording
 - a CD 16
 - a radio program 19
 - timer recording 35
- Repeat Play 23
- Resetting the system 40

S

- Saving recordings 37
- Selecting the audio emphasis 30
- Setting the time 9
- Shuffle Play 24
- Sleep Timer 33
- Sound adjustment 29
- Speakers 5 to 9, 13

T, U, V, W, X, Y, Z

- Test tone 8
- Timer
 - falling asleep to music 33
 - timer recording 35
 - waking up to music 33
- Troubleshooting 38
- Tuner 10, 17