

# CD Radio Cassette-Corder

## CFD-RG880CP

©2008 Sony Corporation Printed in China  
http://www.sony.net/

Operating Instructions US



### WARNING

To reduce the risk of fire or electric shock, do not expose this apparatus to rain or moisture.

To avoid electrical shock, do not open the cabinet. Refer servicing to qualified personnel only.

To reduce the risk of fire, do not cover the ventilation of the apparatus with newspapers, tablecloths, curtains, etc. And do not place lighted candles on the apparatus.

To reduce the risk of fire or electric shock, do not expose this apparatus to dripping or splashing, and do not place objects filled with liquids, such as vases, on the apparatus.

As the main plug is used to disconnect the unit from the mains, connect the unit to an easily accessible AC outlet. Should you notice an abnormality in the unit, disconnect the main plug from the AC outlet immediately.

Do not install the appliance in a confined space, such as a bookcase or built-in cabinet.

Do not expose the batteries (battery pack or batteries installed) to excessive heat such as sunshine, fire or the like for a long time.

Excessive sound pressure from earphones and headphones can cause hearing loss.

The nameplate and important information concerning safety are located on the bottom exterior.

### Notes on DualDiscs

A DualDisc is a two sided disc product which mates DVD recorded material on one side with digital audio material on the other side. However, since the audio material side does not conform to the Compact Disc (CD) standard, playback on this product is not guaranteed.

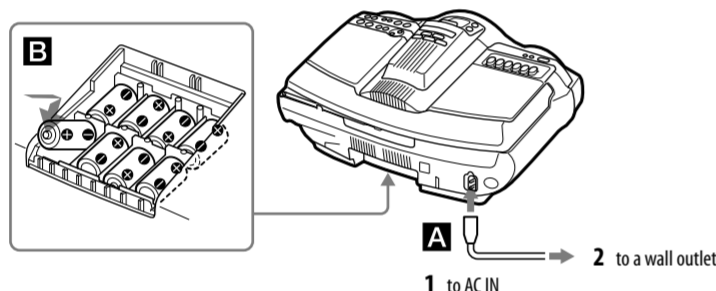
### Music discs encoded with copyright protection technologies

This product is designed to playback discs that conform to the Compact Disc (CD) standard. Recently, various music discs encoded with copyright protection technologies are marketed by some record companies. Please be aware that among those discs, there are some that do not conform to the CD standard and may not be playable by this product.

MPEG Layer-3 audio coding technology and patents licensed from Fraunhofer IIS and Thomson.

This product is protected by certain intellectual property rights of Microsoft Corporation. Use or distribution of such technology outside of this product is prohibited without a license from Microsoft or an authorized Microsoft subsidiary. Windows Media is either a registered trademark or trademark of Microsoft Corporation in the United States and/or other countries.

### Power sources



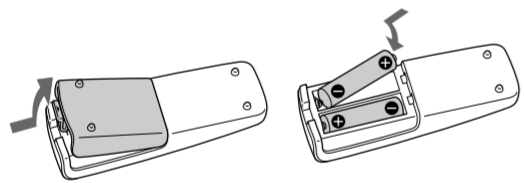
Connect the AC power cord **A** or insert eight R20 (size D) batteries (not supplied) into the battery compartment **B**.

#### Notes

- Replace the batteries when the OPR/BATT indicator **[2]** dims or when the unit stops operating. Replace all the batteries with new ones. Before you replace the batteries, be sure to remove any CD and disconnect any USB device from the unit.
- To use the unit on batteries, disconnect the AC power cord from the unit.
- When you operate the unit on batteries, you cannot turn on the unit using the remote.

### Preparing the remote

Insert two R6 (size AA) batteries (not supplied).



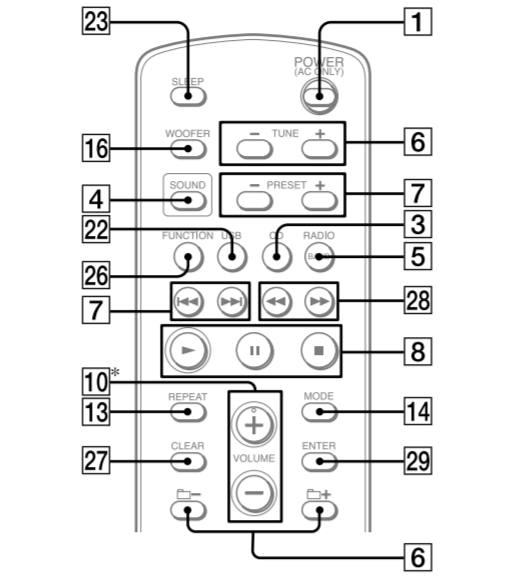
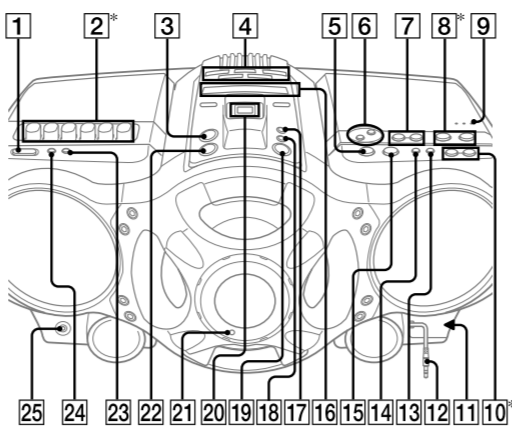
### Replacing batteries

With normal use, the batteries should last for about six months. When the remote no longer operates the unit, replace all the batteries with new ones.

### Specifications

<b>CD player section</b>	Battery life For CD radio cassette-corder:
System Compact disc digital audio system	
Laser diode properties Emission duration: Continuous Laser output: Less than 44.6 μW (This output is the value measurement at a distance of about 200 mm from the objective lens surface on the optical pick-up block with 7 mm aperture.)	<b>FM recording</b> Sony R20P: approx. 6 h Sony alkaline LR20: approx. 18 h
Number of channels 2	<b>Tape playback</b> Sony R20P: approx. 1.5 h Sony alkaline LR20: approx. 6 h
Frequency response 20 - 20 000 Hz ±1/-2 dB Wow and flutter Below measurable limit	<b>CD playback</b> Sony R20P: approx. 1 h Sony alkaline LR20: approx. 5 h
<b>Radio section</b>	Dimensions Approx. 551 × 263 × 380 mm (w/h/d) (incl. projecting parts)
Frequency range FM: 87.5 - 108 MHz AM: 530 - 1 710 kHz	Mass Approx. 8.5 kg (incl. batteries)
Antennas FM: Telescopic antenna AM: Built-in ferrite bar antenna	Supplied accessories AC power cord (1) Remote control (1)
<b>Cassette-corder section</b>	Design and specifications are subject to change without notice.
Recording system 4-track 2-channel stereo	<b>Optional accessories</b> Sony MDH headphones series
Fast winding time Approx. 150 s (sec.) with Sony cassette C-60	
Frequency response TYPE I (normal): 70 - 13 000 Hz	
<b>USB section</b>	
Supported bit rate MP3 (MPEG 1 Audio Layer-3): 32 - 320 kbps, VBR WMA: 16 - 320 kbps, VBR	
Sampling frequencies MP3 (MPEG 1 Audio Layer-3): 32/44.1/48 kHz WMA: 32/44.1/48 kHz	
Power output ④ (USB) port USB A (Full Speed)	
<b>General</b>	
Full range: 10 cm (4 in.) dia., 3.2 Ω, cone type (2) Woofer: 13 cm (5 1/8 in.) dia., 4 Ω, cone type (1) Tweeter: 2 cm (13/16 in.) dia. (2)	
Input Built-in audio cable with stereo-mini plug: Minimum input level 245 mV AUDIO IN jack (stereo minijack): Minimum input level 245 mV ④ (USB) port: Type A, maximum current 500 mA	
Outputs Headphones jack (stereo minijack) For 16 - 68 Ω impedance headphones	
Power requirements 4 W + 4 W (at 3.2 Ω, 10% harmonic distortion) Woofer: 12 W (at 4 Ω, 10% harmonic distortion)	
Power requirements For CD radio cassette-corder: 120 V AC, 60 Hz 12 V DC, 8 R20 (size D) batteries For remote control: 3 V DC, 2 R6 (size AA) batteries	
Power consumption AC 28 W	

### Basic Operations



\* VOL + (VOLUME + on the remote) **[10]**, **[▶]** **[8]** and **[▶]** **[2]** (on the unit) have a tactile dot.

### Before using the unit

**To turn on/off the power**  
Press POWER **[1]**.

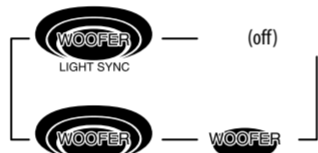
**To adjust the volume**  
Press VOL +, - (VOLUME +, - on the remote) **[10]**.

**To listen through headphones**  
Connect the headphones to the (headphones) jack **[25]**.

**To select the sound characteristic**  
Press ROCK, DANCE, SALSA, REGGAETON or FLAT **[4]** to select the kind of audio emphasis that you want. (On the remote, press SOUND **[4]** repeatedly.) The level meter in the display shows the sound signal strength.

### To reinforce the bass sound

Press POWER DRIVE WOOFER (WOOFER on the remote) **[16]**. The effectiveness of the WOOFER function can be changed as follows:



When the LIGHT SYNC function is on, the ring around the woofer speaker lights up, in accordance with the sound signal strength. To return to normal sound, press the button repeatedly until the indication disappears from the display.

#### Notes

- While the sleeping timer is on, the ring does not light, even if the WOOFER function is used.
- When you use the headphones, the WOOFER function does not work.

### To turn off the demo mode

When you connect the power cord to a wall outlet, the demo mode will start automatically. To turn off the demo mode, press POWER **[1]**. If you do not want to turn on the power of the unit, operate the following steps to turn off:

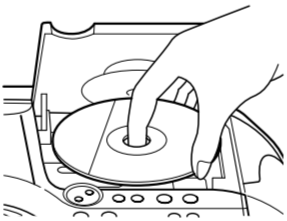
- While holding down DSPL/ENT **[24]**, press STOP **[8]**. To resume the demo mode, perform the same step again.

**Note**  
When you operate the unit on batteries, the demo mode is not activated.

### Playing a CD/MP3/WMA disc

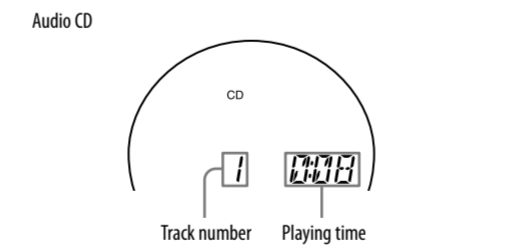
- Press CD **[3]** on the unit. (On the remote, press POWER **[1]** and then press CD **[3]**.)
- Press PUSH OPEN/CLOSE **[9]** on the unit, and place a disc with the label side up into the CD compartment.

To close the CD compartment, press PUSH OPEN/CLOSE **[9]** on the unit.

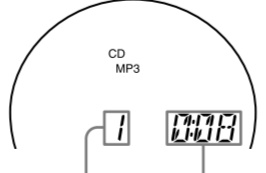


- Press **[▶]** on the unit (**[▶]** on the remote) **[8]**.

The unit plays all the tracks/MP3/WMA files once. When you place MP3/WMA discs, "MP3" or "WMA" appears in the display after the unit reads the file information.



MP3/WMA disc (Example: When you place MP3 disc)



\* If the playing time is more than 100 minutes, it appears as "----" in the display.

To	Press
Pause playback	<b>[▶]</b> <b>[8]</b> on the unit ( <b>[▶]</b> on the remote) <b>[8]</b> . To resume play, press it again.
Stop playback	<b>[■]</b> <b>[8]</b> .
Go to the next track/MP3/WMA file	<b>[▶]</b> <b>[7]</b> .
Go back to the previous track/MP3/WMA file	<b>[◀]</b> <b>[7]</b> .
Select a folder on an MP3/WMA disc	+ to go forward and  - to go backward <b>[6]</b> .
Locate a point while listening to the sound	<b>[▶]</b> (forward) or <b>[◀]</b> (backward) <b>[7]</b> while playing and hold it until you find the point ( <b>[◀]</b> or <b>[▶]</b> <b>[28]</b> on the remote).
Locate a point while observing the display	<b>[▶]</b> (forward) or <b>[◀]</b> (backward) <b>[7]</b> in pause and hold it until you find the point ( <b>[◀]</b> or <b>[▶]</b> <b>[28]</b> on the remote).
Remove the CD	PUSH OPEN/CLOSE <b>[9]</b> .

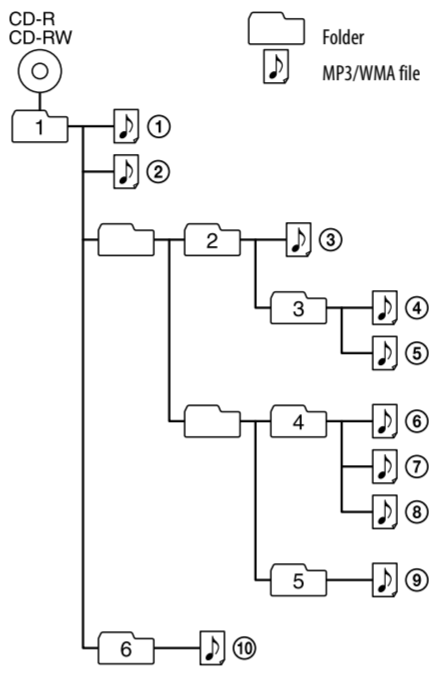
#### Tips

- Playback starts from the track/MP3/WMA file you last stopped playing (Resume play). During stop, the track/MP3/WMA file number to be played is displayed.
- To cancel the resume play (to start play from the beginning of the first track/MP3/WMA file), press **[■]** **[8]** while the CD is stopped. When you open the CD compartment or turn off the unit, the resume play is also canceled.

#### Note

You cannot locate a specific track if "SHUF" or "PGM" is lit in the display. Press **[■]** **[8]**, and then press MODE **[14]** repeatedly until "SHUF" and "PGM" disappear from the display.

**Example of folder structure and playing order**  
The playing order of the folders and files is as follows:



#### Notes on MP3/WMA discs

- When the disc is inserted, the unit reads all the files on that disc. During this time, "READING" is displayed. If there are many folders or non-MP3/WMA files on the disc, it may take a long time for play to begin or for the next MP3/WMA file to start play. We recommend that you do not save unnecessary folders or files other than MP3/WMA ones in the disc to be used for MP3/WMA listening.
- A folder that does not include an MP3/WMA file is skipped.
- Maximum number of files: 511  
Maximum number of folders: 511 (including the root folder)  
Maximum directory levels: 8
- Folder names and file names can be displayed with up to 32 characters including quotation marks.
- The characters A - Z, 0 - 9, and \_ can be displayed on this unit. Other characters are displayed as " \_".
- \* This unit conforms to Version 1.0, 1.1, 2.2, 2.3 and 2.4 of the ID3 tag format. When the file has the ID3 tag information, "song title", "artist name" and "album name" can be displayed. If the file does not have the ID3 tag information, "NO TITLE" appears instead of song title, "NO ARTIST" appears instead of artist name and "NO ALBUM" appears instead of album name. The ID3 tag information can be displayed with up to 32 characters.
- \* When naming, be sure to add the file extension ".mp3" or ".wma" to the file name.
- \* If you put the extension ".mp3" or ".wma" to a file other than an MP3/WMA file, the unit cannot recognize the file properly and will generate random noise that could damage your speakers.
- \* The file name does not correspond to the ID3 tag.

### Listening to the radio

- Press RADIO/BAND+AUTO PRESET **[5]** on the unit (RADIO/BAND **[5]** on the remote) repeatedly. Each time you press the button, the indication changes as follows:  
"FM" → "AM"

- Hold down TUNE + or - **[6]** until the frequency digits begin to change in the display. The unit automatically scans the radio frequencies and stops when it finds a clear station. If you cannot tune in a station, press TUNE + or - **[6]** repeatedly to change the frequency step by step. When an FM stereo broadcast is received, "ST" appears.

#### Tip

If the FM broadcast is noisy, press MODE **[14]** until "Mono" appears in the display and the radio will play in monaural.

### Playing a tape

Use the buttons on the unit for the operation.

- Press **[2]** on the unit, and insert the tape into the tape compartment with the side you want to play facing upward. Use TYPE I (normal) tape only. Close the compartment. Make sure there is no slack in the tape to avoid damaging the tape or the unit.



- Press **[▶]** **[2]** on the unit. The unit starts playing.

To	Press
Pause playback	<b>[▶]</b> <b>[2]</b> on the unit. To resume play, press it again.
Stop playback	<b>[■]</b> <b>[2]</b> on the unit.
Fast-forward or rewind	<b>[◀]</b> or <b>[▶]</b> (rewind or fast forward) <b>[2]</b> on the unit.
Eject the cassette	<b>[■]</b> <b>[2]</b> on the unit.

### Recording on a tape

Use the buttons on the unit for the operation.

- Press **[2]** on the unit to open the tape compartment and insert a blank tape with the side you want to record on facing upward. Use TYPE I (normal) tape only. Close the compartment.
- Select the program source you want to record. To record from the CD player, press CD **[3]** on the unit and place a CD. To record from a USB device, press USB **[22]** on the unit and connect the USB device. To record from the radio, tune in the station you want (see "Listening to the radio").
- Press **[2]** on the unit to start recording (**[▶]** is depressed automatically).

To	Press
Pause recording	<b>[▶]</b> <b>[2]</b> on the unit. Press the button again to resume recording.
Stop recording	<b>[■]</b> <b>[2]</b> on the unit.

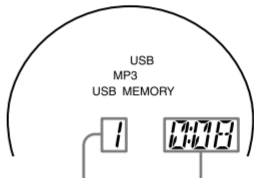
#### Tips

- Adjusting the volume or the audio emphasis will not affect the recording level.
- If the AM program makes a whistling sound after you have pressed **[2]** in step 3, press MODE **[14]** on the unit to select the position of ISB (Interference Suppress Switch) that most decreases the noise. For the best results, use the AC power as a power source for recording.
- To erase a recording, proceed as follows:  
1 Insert the tape whose recording you want to erase.  
2 Make sure that "TAPE" is displayed. (If "TAPE" is not displayed, press **[2]** on the unit or press FUNCTION **[28]** on the remote until it appears in the display.)  
3 Press **[2]** on the unit.

### Listening to music of a USB device

You can listen to music stored on a USB device (digital music player or USB storage media). Music files in WMA and MP3 format\* can be played on this unit. See "Playable/Recordable USB devices" on the back page for a list of USB devices that can be connected to this unit. \* Files with copyright protection (Digital Rights Management) cannot be played on this unit.

- Press USB **[22]** on the unit.
- Connect the USB device to the (USB) port **[20]**. The blue indicator lights up and "USB MEMORY" appears in the display.
- Press **[▶]** **[8]**. The unit starts playing.



- Press VOL + or - (or VOLUME + or - on the remote) **[10]** to adjust the volume.

#### Other operations

To	Press
Pause playback	<b>[▶]</b> <b>[8]</b> . To resume play, press the button again*.
Stop playback	<b>[■]</b> <b>[8]</b> .
Select a folder	+ or - <b>[6]</b> .
Select a file	<b>[◀]</b> or <b>[▶]</b> <b>[7]</b> .
Find a point in a file	Hold down <b>[▶]</b> <b>[8]</b> or <b>[▶]</b> <b>[7]</b> during playback, and release the button at the desired point ( <b>[◀]</b> or <b>[▶]</b> <b>[28]</b> on the remote).
Select Repeat Play	REPEAT <b>[18]</b> on the unit repeatedly until "CR" or "CR 1" appears.
Remove the USB device	Hold down <b>[▶]</b> <b>[8]</b> until "NO DEV" appears, then remove the USB device.

\* When playing a VBR MP3 file, the unit may resume playback from a different point.

#### Tips

- Playback starts from the MP3/WMA file you last stopped playing (Resume play). During stop, the MP3/WMA file number and the playing time to be played are displayed.
- To cancel resume play (to start play from the beginning of the first MP3/WMA file), press **[■]** **[8]**.
- Note**  
Always hold down **[▶]** **[8]** and make sure that "NO DEV" appears before removing the USB device. Removing the USB device while "NO DEV" is not displayed may corrupt the data on the USB device or damage the USB device itself.

### To change the play mode

Press MODE **[14]** repeatedly while the USB device is not playing. You can select Normal Play () for all files in the folder on the USB device, Shuffle Play ("SHUF" or ) or Program Play ("PGM").

#### Notes on the USB device

- You cannot change the play mode during playback.
- Some time may be needed before playback starts when:  
- the folder structure is complex.  
- the USB device is close to capacity.
- When a USB device is connected, the unit reads all the files on the device. If there are many folders or files on the device, it may take a long time for the unit to finish reading them.
- Do not connect a USB device to the unit through a USB hub.
- In the case of some USB devices, when an operation is performed on the USB device, there may be a delay before it is carried out on this unit.
- This unit may not support all the functions provided on the connected USB device.
- Files recorded by this unit are played back in the order of folder creation. Files recorded by a device other than this unit (such as a computer) may not play back in the order in which they were recorded.
- The playback order on this unit may differ from the playback order on the connected USB device.
- File not save non-MP3/WMA files or unnecessary folders to a USB device that contains MP3/WMA files.
- During playback, folders that contain no MP3/WMA files are skipped.
- This unit can play only MP3/WMA files that have the ".mp3" or ".wma" file extension.
- If there are files on the disc that have the ".mp3" or ".wma" file extension, but are not MP3/WMA files, the unit may produce noise or malfunction.
- A maximum of 999 MP3/WMA files and 255 folders can be contained on a single USB device. The maximum number of MP3/WMA files and folders may vary, depending on the file and folder structure.
- Compatibility with all MP3/WMA encoding/writing software, recording devices, and recording media cannot be guaranteed. If you use an incompatible USB device, the sound skipping or noise may be produced, or the device may not play at all.

### Recording from a disc to a USB device

By connecting a USB device (digital music player or USB storage media) to the (USB) port **[20]** on the unit, you can record music from a disc to the USB device. This unit supports recording from CD-DA and MP3/WMA discs only. Sound from this unit's cassette player or radio cannot be recorded to a USB device. Audio files are recorded on this unit in the MP3 or WMA format. The approximate recording size is about 1 MB per minute of recording time from a CD. The file size may be larger for recordings made from an MP3/WMA disc. See "Playable/Recordable USB devices" on the back page for a list of the USB devices that can be connected to this unit.

### Syncho Recording

This function allows you to easily record an entire disc onto a USB device.

- Connect a USB device with recording capability to the (USB) port **[20]**. If a USB cable is necessary, use the USB cable supplied with the device to be connected. Refer to the operation manual supplied with the USB device for connection details.
- Press CD **[3]** and insert the disc that you want to record.

- When the CD player is stopped, press MODE **[14]** repeatedly to select the play mode. The play mode automatically changes to Normal Play if the unit is in Shuffle Play, Repeat Play or Program Play (with no tracks or MP3/WMA files programmed) at the start of recording. For details about play modes, see "To change the play mode" in "Listening to music of a USB device".

- Press REC CD **[19]** on the unit. "REC" flashes and the display cycles through "CD SYNC", "FREExxxM" (free space on the USB device), and "PUSH ENT". The red indicator blinks. The USB device changes to recording standby and the unit to play pause. \* If the amount of free space is in the gigabyte range, "FREExxxG" will be displayed as the unit.

- Press ENTER **[18]** on the unit. Recording starts. The red indicator stops blinking and turns on during the recording. The unit and the USB device automatically stop when the recording is completed.

### REC1 Recording

This procedure allows you to easily record the currently playing track or MP3/WMA file to a USB device.

- Connect a USB device with recording capability to the (USB) port **[20]**.
- Press CD **[3]** and insert the disc with the track or MP3/WMA file that you want to record.
- Select the track or MP3/WMA file and start playing it.
- Press REC CD **[19]** on the unit while the selected track or MP3/WMA file is playing. "REC" flashes and the display cycles through "REC 1", "FREExxxM" (free space on the USB device) and "PUSH ENT". The USB device changes to recording standby and the unit to play pause. \* If the unit of the free space capacity is giga-byte, "FREExxxG" will be displayed.
- Press ENTER **[18]** on the unit. Recording starts. When recording is completed, the CD player continues to play.

### To stop recording

Press **[■]** **[8]**. The red indicator turns off.

### To remove the USB device

- Press USB **[22]** when the unit is stopped playing.
- Hold down **[■]** **[8]** on the unit until "NO DEV" appears.
- Remove the USB device.

### To erase MP3/WMA files or folders on a USB device

You can erase MP3/WMA files or folders that are on a USB device.

- Connect a USB device with recording capability to the (USB) port **[20]**.
- Press USB **[22]** on the unit.
- Press + or - **[6]** repeatedly to select a folder, or press **[◀]** or **[▶]** **[7]** repeatedly to select a MP3/WMA file.
- Press ERASE/MEMORY SELECT **[17]** on the unit. "ERASE" appears on the display. When you erase a track, "TRACK" appears, followed by "ERASE?". When you erase a folder, "FOLDER" appears, followed by "ERASE?". To cancel the erase operation, press **[■]** **[8]**.

### To select the recording destination on a USB device

If a USB device has more than one memory (for example, internal memory and a memory card), you can select which memory to read to and then start recording. 

- Connect a USB device to the (USB) port **[20]**.
- Press USB **[22]** on the unit.
- Press ERASE/MEMORY SELECT **[17]** on the unit, in stop mode. "SELECT?" appears. If an audio file or a folder is selected, "ERASE?" appears instead. Press ERASE/MEMORY SELECT **[17]** again to select "SELECT?".
- Press ENTER **[18]** on the unit. The name of the memory appears. The displayed name varies depending on the specifications of the USB device.
- Press **[◀]** or

## Other Operations

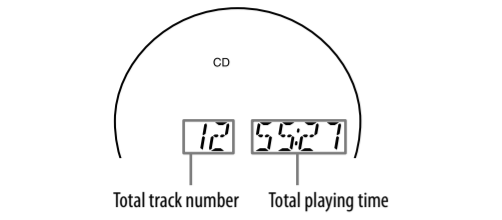
### Using the display

You can check information about the CD using the display.

#### Checking the information of an audio CD

**To check the total track number and playing time of the CD**

Press **■** **[8]** while the CD is stopped, and you can check them in the display.

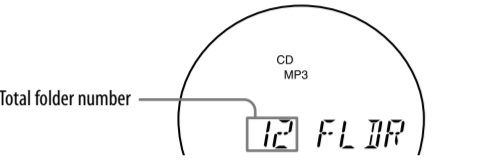


#### Checking the information of an MP3/WMA disc

**To check the total folder number and total file number on the CD**

Press **■** **[8]** while the CD is stopped, and you can check them in the display.

MP3/WMA disc (Example: When you place MP3 disc)



#### To check file information

Press DSPL/ENT **[24]** on the unit while playing an MP3/WMA disc. The display changes as follows:

→ The song title (🎵) *	↓
The artist name (👤)	↓
The album name (📀) *	↓
The current file number and playing time**	

\* If the file does not have ID3 information, the file name or folder name appears in the display.

\*\* Artist name or album name will change to this in a few seconds.

## Playing tracks/MP3/WMA files repeatedly (Repeat Play)

You can play tracks/MP3/WMA files repeatedly in normal, Shuffle or Program play modes.

- Press CD **[3]**. "CD" appears in the display.
- Proceed as follows.

To repeat	Do this
A single track/MP3/WMA file	1 Press REPEAT <b>[13]</b> until "☞ 1" appears. 2 Press <b>◀▶</b> or <b>▶▶</b> <b>[7]</b> to select the track/MP3/WMA file that you want to repeat. 3 Press <b>▶▶</b> <b>[8]</b> on the unit.
All tracks/MP3/WMA files on the CD	1 Press REPEAT <b>[13]</b> until "☞" appears. 2 Press <b>▶▶</b> <b>[8]</b> on the unit.
A selected folder (MP3/WMA disc only)	1 Press MODE <b>[14]</b> until "📀" appears, and then press REPEAT <b>[13]</b> until "☞" appears. 2 Select the folder by pressing <b>☐+</b> or <b>☐-</b> <b>[6]</b> . 3 Press <b>▶▶</b> <b>[8]</b> on the unit.
Tracks/MP3/WMA files in random order	1 Select Shuffle Play (see "Playing tracks/MP3/WMA files in random order"). 2 Press REPEAT <b>[13]</b> until "SHUF" and "☞" appear. 3 Press <b>▶▶</b> <b>[8]</b> on the unit.
MP3/WMA files in a selected folder in random order (MP3/WMA disc only)	1 Start Folder Shuffle Play (see "Playing tracks/MP3/WMA files in random order"). 2 Press REPEAT <b>[13]</b> on the unit until "☞", "SHUF" and "📀" appear. 3 Press <b>▶▶</b> <b>[8]</b> on the unit.
Programmed MP3/WMA files	1 Program tracks/MP3/WMA files (see "Creating your own program"). 2 Press REPEAT <b>[13]</b> until "☞" and "PGM" appear. 3 Press <b>▶▶</b> <b>[8]</b> on the unit.

#### On the remote

Use **▶▶** **[8]** instead of **▶▶** **[8]**.

#### To cancel Repeat Play

Press REPEAT **[13]** until "☞" disappears from the display.

## Playing tracks/MP3/WMA files in random order (Shuffle Play)

You can play tracks/MP3/WMA files in random order. When playing an MP3/WMA disc, you can also play MP3/WMA files in a selected folder in random order (Folder Shuffle Play).

- Press CD **[3]**. "CD" appears in the display.
- Press MODE **[14]** until "SHUF" appears in the display. When you select Folder Shuffle Play (MP3/WMA disc only), press MODE **[14]** on the unit until "📀" and "SHUF" appear in the display. Then press **☐** TUNE + or **-** **[6]** on the unit to select a folder you want.
- Press **▶▶** **[8]** on the unit to start Shuffle Play.

#### On the remote

Use **▶▶** **[8]** instead of **▶▶** **[8]**.

#### To cancel Shuffle Play

Stop playing first. Then press MODE **[14]** until "SHUF" disappears from the display.

**Tips**

- During Shuffle Play, you cannot select the previous track/MP3/WMA file by pressing **◀▶** **[7]**.
- The resume function does not work during Shuffle Play.

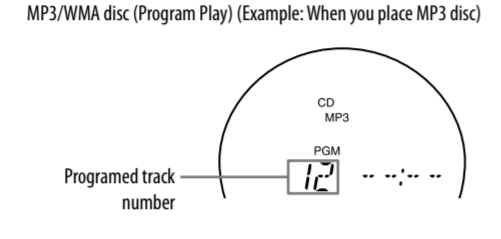
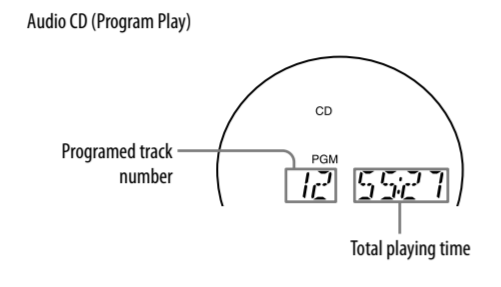
## Creating your own program (Program Play)

You can arrange the playing order of up to 25 tracks/MP3/WMA files on a CD.

- Press CD **[3]**. "CD" appears in the display.
- Press MODE **[14]** until "PGM" appears in the display.
- Press **◀▶** or **▶▶** **[7]** then press DSPL/ENT **[24]** on the unit (ENTER **[29]** on the remote) for the tracks/MP3/WMA files you want to program in the order you want. For MP3/WMA files, press **☐** TUNE + or **-** **[6]** first and then press **◀▶** or **▶▶** **[7]** and DSPL/ENT **[24]** (ENTER **[29]** on the remote).

After programming the first track, "STEP 1" appears, followed by the selected track/MP3/WMA file. Each time you add a track/MP3/WMA file, a step number is added.

The total time of the program play will be displayed up to "99:59" for the CD (If the total time count becomes more than 99:59, "-:--" will be displayed. For MP3/WMA, "-:--:" will be always displayed.)



- Press **▶▶** **[8]** on the unit to start Program Play.

#### On the remote

Use **▶▶** **[8]** instead of **▶▶** **[8]**.

#### To cancel Program Play

Stop playing first. Then press MODE **[14]** until "PGM" disappears from the display.

#### To delete the last track or file of the program

Press CLEAR **[27]** on the remote while the CD is stopped.

#### To delete the current program

Press POWER **[1]** twice. The current program will also be cleared when you push the CD lid OPEN/CLOSE **[9]** to open. Then create a new program following the programming procedure.

**Tips**

- If you try to program 26 tracks/MP3/WMA files or more, "FULL" will appear in the display.
- You can play the same program again, since the program is saved until you open the CD compartment or turn off the power of the unit.
- You can record your own program. After you have created the program, insert a blank tape and press **●** **[2]** on the unit to start recording.
- The resume function does not work during Program Play.

## Presetting radio stations

You can store radio stations into the unit's memory. You can preset up to 30 radio stations, 20 for FM and 10 for AM in any order.

- Press RADIO/BAND•AUTO PRESET **[5]** on the unit to select the band.
- Hold down RADIO/BAND•AUTO PRESET **[5]** on the unit for 2 seconds until "AUTO" flashes in the display.
- Press DSPL/ENT **[24]** on the unit. The stations are stored in memory from the lower frequencies to the higher ones.

#### If a station cannot be preset automatically

You need to preset a station with a weak signal manually.

- Press RADIO/BAND•AUTO PRESET **[5]** on the unit to select the band.
- Tune in a station you want.
- Hold down DSPL/ENT **[24]** on the unit for 2 seconds until the preset number flashes in the display.
- Press PRESET + or **-** **[7]** on the unit until the preset number you want for the station flashes in the display.
- Press DSPL/ENT **[24]** on the unit. The new station replaces the old one.

#### On the remote

- Press RADIO/BAND **[5]** until the band you want appears in the display.
- Tune in a station you want.
- Hold down ENTER **[29]** for 2 seconds until the preset number flashes in the display.
- Press PRESET + or **-** **[7]** until the preset number you want for the station flashes in the display.
- Press ENTER **[29]**.

**Tip**  
The preset radio stations remain in memory even if you unplug the AC power cord or remove the batteries.

## Playing preset radio stations

- Press RADIO/BAND•AUTO PRESET **[5]** on the unit to select the band.
- Press PRESET + or **-** **[7]** on the unit to tune in the stored station.

#### On the remote

- Press RADIO/BAND **[5]**.

- Press PRESET + or **-** **[7]** to tune in the stored station.

### Falling asleep to music

- Play the music source you want.
- Press SLEEP **[23]** to display "SLEEP".
- Press SLEEP **[23]** to select the minutes until the unit goes off automatically. Each time you press the button, the indication changes as follows: "AUTO" → "60MIN" → "30MIN" → "20MIN" → "10MIN" → "OFF". \* When you select "AUTO" the CD, USB or tape stops playing in 90 minutes at most and the unit goes off automatically. When you are listening to the radio, the radio goes off in 90 minutes. If 4 seconds have passed after you pressed SLEEP **[23]**, the minutes in the display are entered. When the setting becomes effective, the LCD backlight will be dimmer and the Woofer LED will turn off. When the preset time has passed, the unit goes off automatically.

**To cancel the sleep function**  
Press POWER **[1]** to turn off the power.

**Note**  
When you are playing a tape using this function: If the tape length of one side is longer than the set time, the unit will not go off until the tape reaches the end.

## Playable/Recordable USB devices

You can use the following Sony USB devices on this unit. Other USB devices are not playable/recordable on this unit.

#### Verified Sony digital music players (as of September 2008)

Product name	Model name	Series name
Walkman <sup>®</sup>	NWD-	B100/B110F/E020F
	NWZ-	A810/A820K/B130F/E430F/S510/S610F/S630F/S710F/S730F
Walkman <sup>®</sup> Phone	W880i/W850/W710/W660/W580	W910

Check the websites below for the latest information about compatible devices.

For customers in Europe: <http://support.sony-europe.com/>  
For customers in Latin America: <http://www.sony-latin.com/pa/info/>  
For customers in Asia and Oceania: <http://www.sony-asia.com/section/support/>

**Notes**

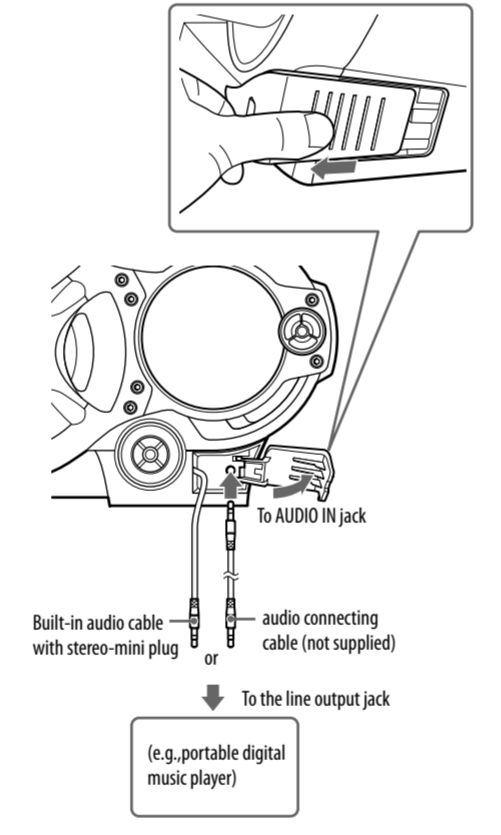
- When formatting the above models, be sure to format using the model itself or the dedicated formatting software for that model.
- Do not use any other than these USB devices. Operation of models not listed here is not guaranteed.
- Operation may not always be ensured even when using these USB devices.
- Some of these USB devices may not be available for purchase in certain areas.
- Playback of WMA/AAC files with copyright protection is not supported.
- Files downloaded from a music download website may not be played.
- Connection through a hub is not supported.

## Connecting optional components

You can enjoy the sound from an optional component such as a portable digital music player through the speakers of this unit.

Be sure to turn off the power of each component before making any connections.

For details, refer to the instruction manual of the component to be connected.



- Connect the built-in audio cable with stereo-mini plug **[12]** on the unit to the line output jack of the portable digital music player or other components\*.
- Turn the unit and the connected component on.
- Press AUDIO IN **[16]** on the unit and start playing sound on the connected component. The sound from the connected component is output from the speakers.

\* To connect the unit to a TV or VCR, use an extension cable (not supplied) with a stereo-mini jack on one end (for the built-in audio cable) and two phono plugs on the other end.

#### Recording the sound from the connected component

- Insert a blank tape.
- Press AUDIO IN **[16]** on the unit to display "AUDIO IN".
- Press **●** **[2]** on the unit. Recording starts.
- Play the optional component connected to the unit.

**Tip**  
Should the built-in audio cable **[12]** become damaged, you can use the AUDIO IN jack **[11]** to connect an optional component to the unit. Use an audio connecting cable (not supplied) with a stereo mini plug on one end (for the AUDIO IN jack **[11]**). Make sure the plug on the other end is suited to the jack on the optional component, for example, a stereo-mini plug for a portable digital music player, or two phono plugs for a TV or VCR.

**Notes**

- Do not pull forcibly on the built-in audio cable **[12]**. Doing so may cause the plug to rip off.
- Connect the built-in audio cable **[12]** or audio connecting cable (not supplied) securely to prevent any malfunction.
- It is not possible to listen to two components connected at the same time through the built-in audio cable **[12]** and the AUDIO IN jack **[11]** (using an optional audio connecting cable). Connect one component at a time.

## Precautions

#### Discs that this unit CAN play

- Audio CD
- CD-R/CD-RW (CD-DA\*/MP3/WMA files)
- CD-DA is the abbreviation for Compact Disc Digital Audio. It is a recording standard used for Audio CDs.

#### Discs that this unit CANNOT play

- CD-R/CD-RW other than those recorded in music CD format or MP3/WMA format conforming to ISO9660 Level 1/Level 2 or Joliet
- CD-R/CD-RW of poor recording quality, CD-R/CD-RW that has scratches or are dirty, or CD-R/CD-RW recorded with an incompatible recording device
- CD-R/CD-RW which is finalized incorrectly

#### Notes on discs

- Before playing, clean the CD with a cleaning cloth. Wipe the CD from the center out. If there is a scratch, dirt or fingerprints on the CD, it may cause tracking error.



- Do not use solvents such as benzene, thinner, commercially available cleaners or anti-static spray intended for vinyl LPs.
- Do not expose the CD to direct sunlight or heat sources such as hot air ducts, nor leave it in a car parked in direct sunlight as there can be a considerable rise in temperature inside the car.
- Do not stick paper or sticker on the CD, nor scratch the surface of the CD.
- After playing, store the CD in its case.

#### On safety

- As the laser beam used in the CD player section is harmful to the eyes, do not attempt to disassemble the casing. Refer servicing to qualified personnel only.
- Should any solid object or liquid fall into the unit, unplug the unit, and have it checked by qualified personnel before operating it any further.
- Discs with non-standard shapes (e.g., heart, square, star) cannot be played on this unit. Attempting to do so may damage the unit. Do not use such discs.

#### On power sources

- For AC operation, use the supplied AC power cord; do not use any other type.
- The unit is not disconnected from the AC power source (mains) as long as it is connected to the wall outlet, even if the unit itself has been turned off.
- Unplug the unit from the wall outlet when it is not used for an extended period of time.
- When the batteries are not to be used, remove them to avoid damage that can be caused by battery leakage or corrosion.

#### On placement

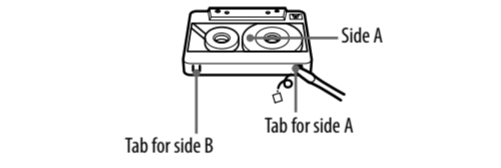
- Do not leave the unit in a location near heat sources, in a place subject to direct sunlight, excessive dust or mechanical shock or in a car subject to the direct rays of the sun.
- Do not place the unit on an inclined or unstable place.
- Do not place anything within 10 mm of the side of the cabinet. The ventilation holes must be unobstructed for the unit to operate properly and prolong the life of its components.
- Since a strong magnet is used for the speakers, keep personal credit cards using magnetic coding or spring-wound watches away from the unit to prevent possible damage from the magnet.

#### On operation

- If the unit is brought directly from a cold to a warm location, or is placed in a very damp room, moisture may condense on the lens inside the CD player section. Should this occur, the unit will not operate properly. In this case, remove the CD and wait about an hour for the moisture to evaporate.
- If the unit has not been used for a long time, set it in the playback mode to warm it up for a few minutes before inserting a cassette.

#### Notes on cassettes

- Break off the cassette tab from side A or B to prevent accidental recording. If you want to reuse the tape for recording, cover the broken tab with adhesive tape.



- The use of a cassette with more than 90 minutes of play time is not recommended except for long, continuous recording or playback.

#### Cleaning the cabinet

- Clean the cabinet, panel and controls with a soft cloth slightly moistened with a mild detergent solution. Do not use any type of abrasive pad, scouring powder, or solvent, such as alcohol or benzene.

If you have any questions or problems concerning your unit, please consult your nearest Sony dealer.

## Troubleshooting

#### General

#### The power is not on.

- Connect the AC power cord to the wall outlet securely.
- Make sure the batteries are inserted correctly.
- Replace all the batteries with new ones if they are weak.
- You cannot turn on the unit with the remote when you operate the unit on batteries.

#### There is no audio.

- Make sure the function you want to use appears in the display window.
- Unplug the headphones when listening through speakers.

#### The display and indicators are flashing randomly even when the power is turned off.

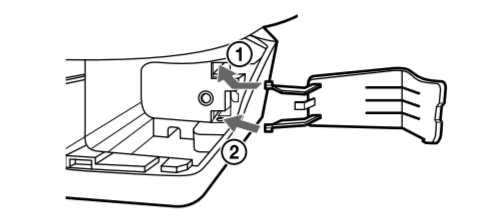
- The demo mode is on. Turn on the power, or disable the demo mode when the power is off.

#### Noise is heard.

- Someone is using a portable telephone or other equipment that emits radio waves near the unit. → Move the portable telephone, etc., away from the unit.

#### The AUDIO IN lid has been detached.

→ Reattach the lid as shown in the illustration below. (Reattach in order of ① and ②.)



#### CD/MP3/WMA player

#### The CD does not play or "NO DISC" is displayed even when a CD is in place.

- Place the CD with the label surface up.
- Clean the CD.
- Take out the CD and leave the CD compartment open for about an hour to dry moisture condensation.
- The CD-R/CD-RW is blank.
- There is a problem with the quality of the CD-R/CD-RW, recording device or application software.
- Replace all the batteries with new ones if they are weak.

#### The sound drops out.

- Reduce the volume.
- Clean the CD, or replace it if the CD is badly damaged.
- Place the unit in a location free from vibration.
- Clean the lens with a commercially available blower.
- The sound may drop out or noise may be heard when using a poor quality CD-R/CD-RW or if there is a problem with the recording device or application software.

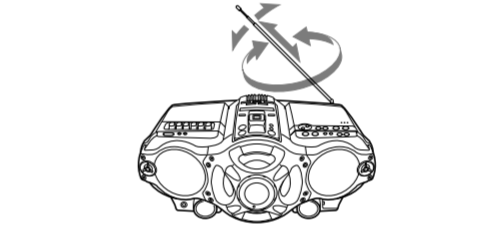
#### Starting playback takes more time than usual.

- The following discs take a longer time to start playback.
  - a disc recorded with a complicated tree structure.
  - a disc that has not been finalized (a disc to which data can be added).
  - a disc that has many folders or non-MP3/WMA files.

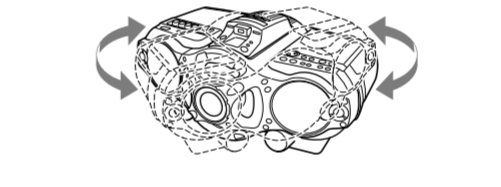
#### Radio

#### Reception is poor.

- Reorient the antenna to improve FM reception.



- Reorient the unit itself to improve AM reception.



#### The audio is weak or has poor quality.

- Replace all the batteries with new ones if they are weak.
- Move the unit away from the TV.
- If you are using the remote while listening to AM radio, noise may be heard.

#### The picture of your TV becomes unstable.

- If you are listening to an FM program near the TV with an indoor antenna, move the unit away from the TV.

#### USB device

#### Are you using a compatible USB device?

- If you connect an incompatible USB device, the following problems may occur. See "Playable/Recordable USB devices" for a list of devices that are supported.
  - The USB device is not recognized.
  - File or folder names are not displayed on this unit.
  - Playback is not possible.
  - The sound skips.
  - There is noise.
  - The sound output is distorted.

#### "OVER CURRENT" appears.

- An abnormal level has been detected in the electrical current from the ⚡ (USB) port **[20]**. Turn off the unit and remove the USB device from the ⚡ (USB) port **[20]**. Make sure there is no problem with the USB device. If this message persists, contact your nearest Sony dealer.

#### There is no sound.

- The USB device is not connected correctly. Turn off the unit and reconnect the USB device. Then turn on the unit and check whether the "USB MEMORY" lights up or not in the display.

#### There is noise, skipping, or distorted sound.

- Turn off the unit and reconnect the USB device. Then turn on the unit again.
- The music data itself contains noise, or the sound is distorted. Noise may have entered during the recording process. Delete the file and try recording it again.

#### The USB device cannot be connected to the ⚡ (USB) port [20].

- The connector on the USB device or USB cable was not correctly oriented when the connection was attempted. Connect the connector on the USB device or USB cable in the correct orientation.

#### "READING" is displayed for an extended time, or it takes a long time before playback starts.

- The reading process can take a long time in the following cases:
  - There are many folders or files on the USB device.
  - The file structure is extremely complex.
  - The memory is almost full.