



Quick Setup Guide/快速設定指南

DAV-DZ910W

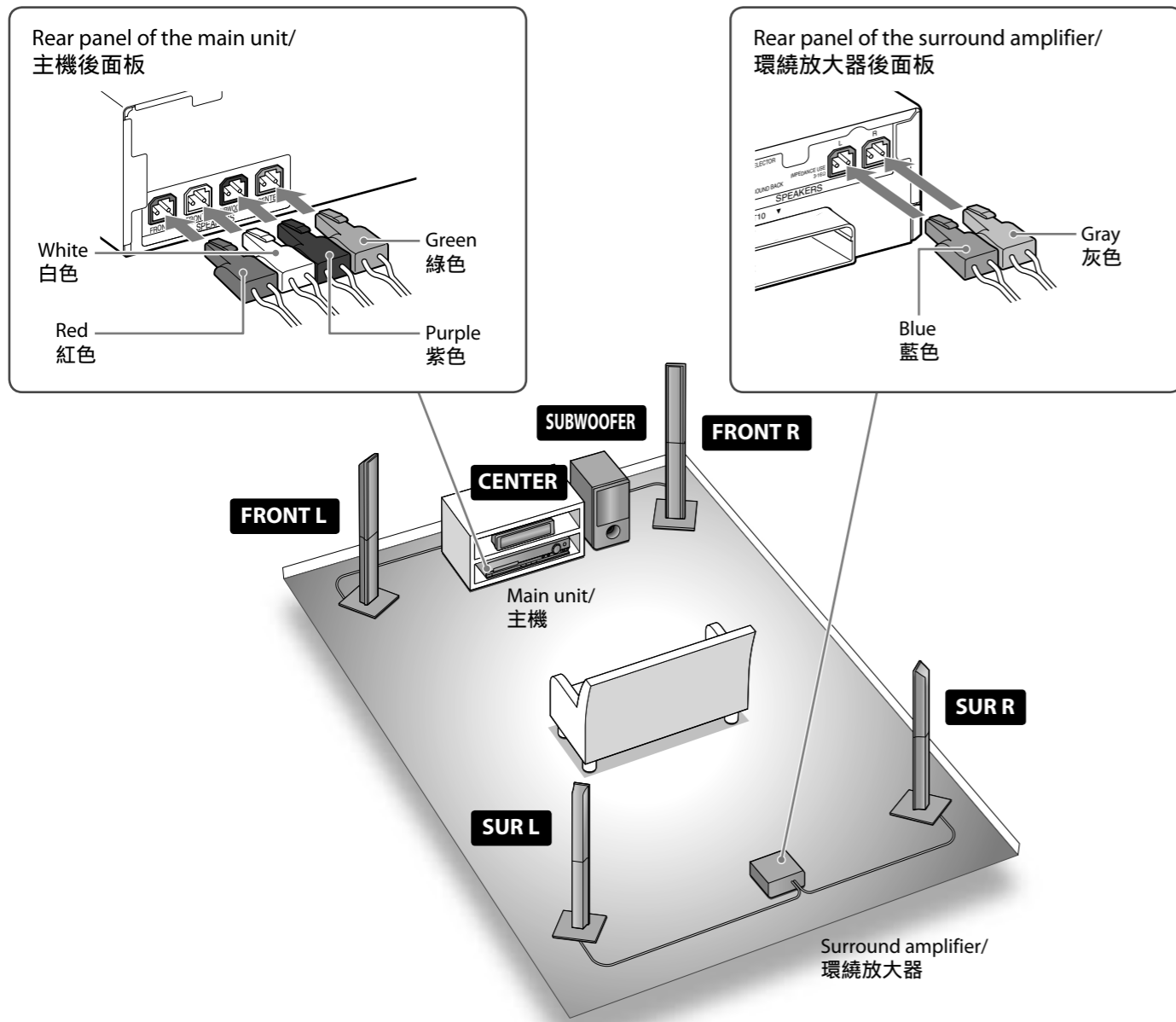


For details, refer to the Operating Instructions.
詳細資訊，請參閱使用說明書。

1 Connecting the speakers/連接揚聲器

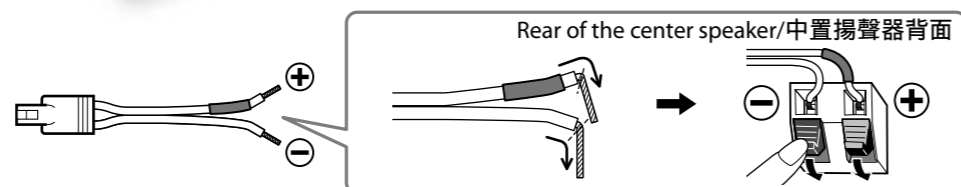
First, assemble the speakers (refer to the Speaker Installation Guide), and then connect the speaker cords to match the color of the SPEAKERS jacks of the unit.

先組裝揚聲器（請參閱揚聲器安裝指南），然後將揚聲器導線連接到本機上對應顏色的 SPEAKERS 插孔。



To connect speaker cords to the center speaker/

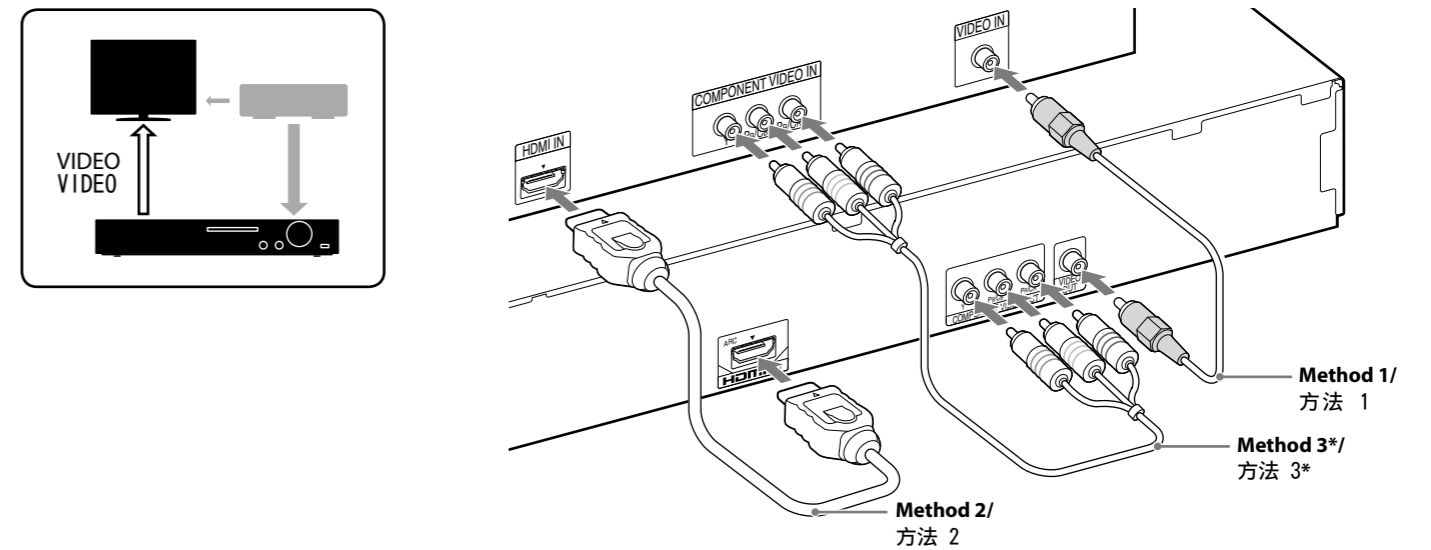
將揚聲器導線連接到中置揚聲器



2 Connecting your TV/set-top box/連接電視機/機上盒

Depending on the jacks on your TV or set-top box, select the video and audio connection method.
視電視機或機上盒上的插孔而定，選擇視頻和聲音連接方法。

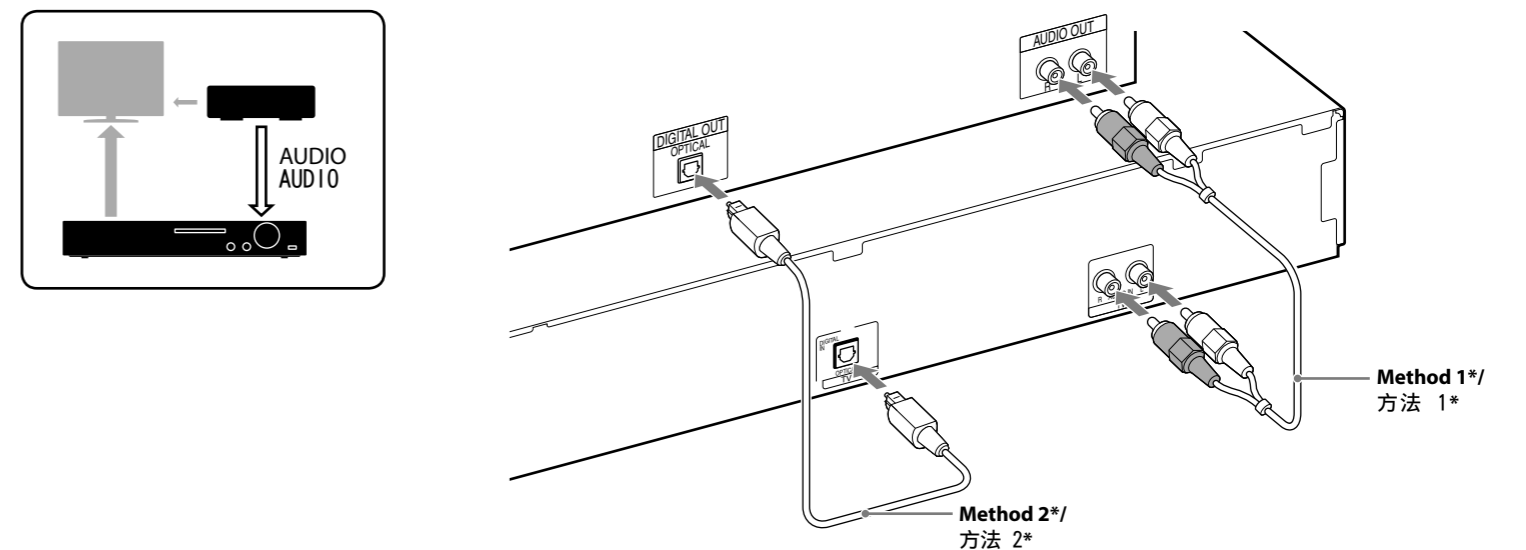
Connecting the video to your TV/將視頻連接至電視機



*Not supplied/*不提供

Connecting the audio from your set-top box/連接來自機上盒的聲音

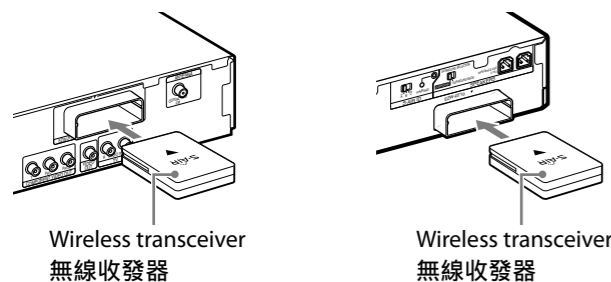
If you do not use a set-top box, refer to "Connecting your TV/set-top box" in the Operating Instructions.
如果不使用機上盒，請參閱使用說明書中的“連接電視機 / 機上盒”。



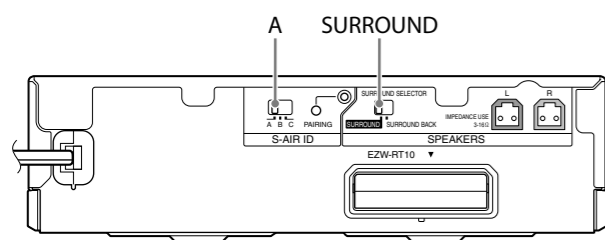
*Not supplied/*不提供

3 Enabling wireless transmission/ 啓用無線傳送

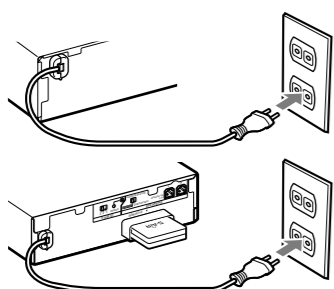
1 Insert the wireless transceiver.
裝入無線收發器。



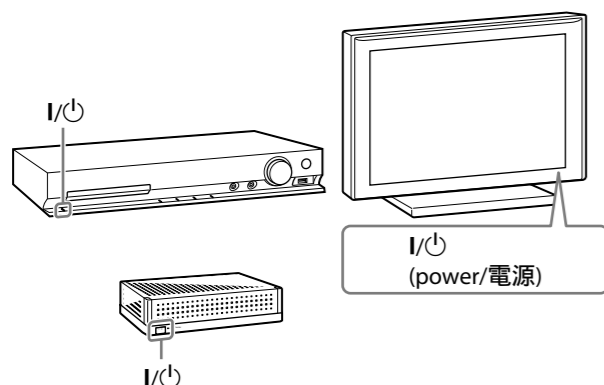
2 Set the S-AIR ID switch to "A" and the SURROUND SELECTOR switch to "SURROUND."
將 S-AIR ID 開關設定為 "A"、SURROUND SELECTOR 開關設定為 "SURROUND"。



3 Connect the AC power cord.
連接交流電源線。



4 Turn on the power of the main unit, the surround amplifier, and the TV.
打開主機、環繞放大器和電視機的電源。

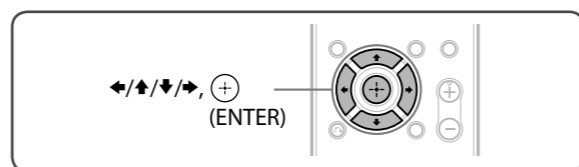


4 Performing the Quick Setup/執行快速設定

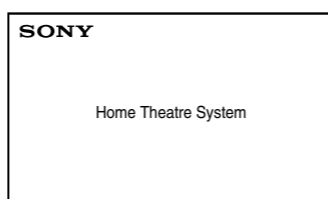
Note
Do not insert a disc before performing the Quick Setup.
注意
請勿於執行快速設定之前插入光碟。

1 Switch the input selector on your TV to display "SONY Home Theatre System."
切換電視機上的輸入選擇器以顯示 "SONY Home Theatre System"。

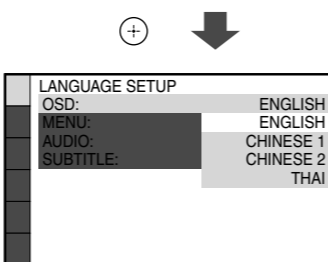
2 Set each following item, using $\leftarrow/\rightarrow/\uparrow/\downarrow$ and \oplus .
使用 $\leftarrow/\rightarrow/\uparrow/\downarrow$ 鍵和 \oplus 鍵，設定以下每個項目。



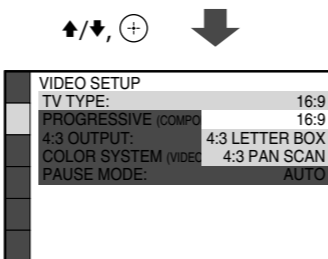
Note
Displayed items vary depending on the area.
注意
視地區而定，顯示項目會有不同。



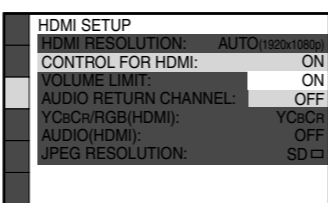
Select an on-screen language.
選擇畫面語言。



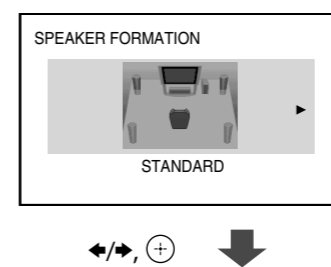
Select the aspect ratio of the connected TV.
選擇所連接電視機的縱橫比。



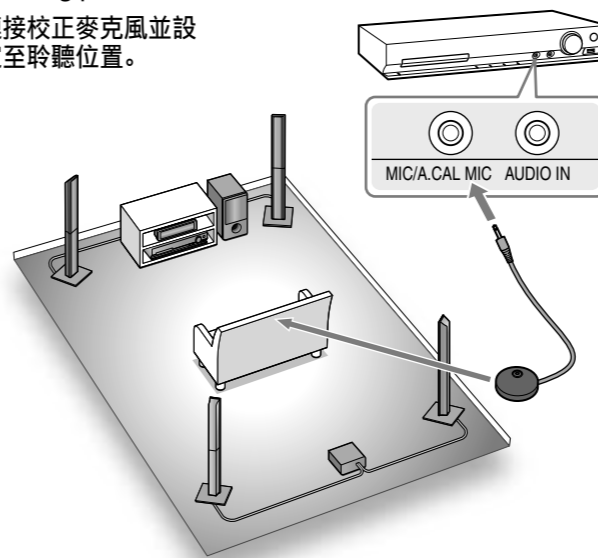
Select [ON] when you connect the main unit and the TV with an HDMI cable.
使用 HDMI 電纜連接主機與電視機時，請選擇 [ON]。



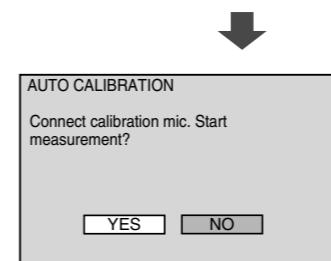
Select the speaker formation.
選擇揚聲器架構。



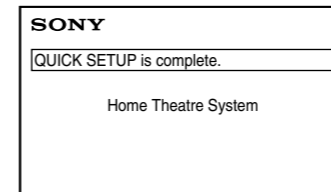
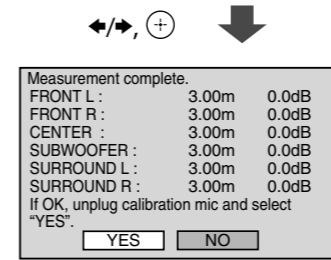
Connect the calibration mic and set it at the listening position.
連接校正麥克風並設定至聆聽位置。



Select [YES] to perform [AUTO CALIBRATION].
選擇 [YES] 執行 [AUTO CALIBRATION]。

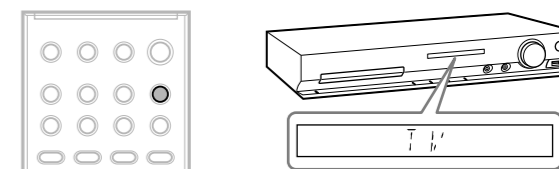


Select [YES] to save the measurement results.
選擇 [YES] 儲存測量結果。



Listening to TV sound from all speakers/ 從所有揚聲器聆聽電視機聲音

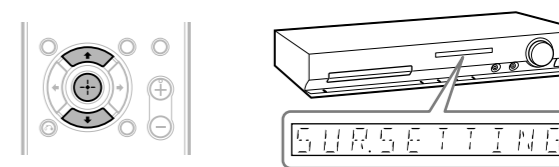
1 Press FUNCTION to display "TV."
按 FUNCTION 鍵顯示 "TV"。



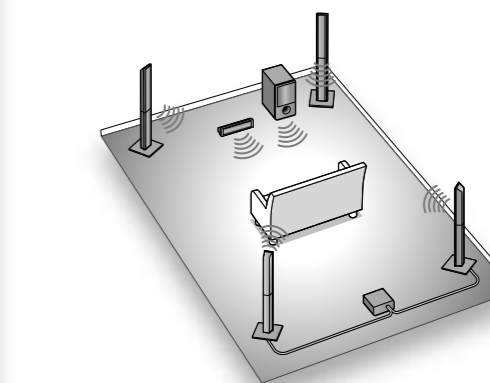
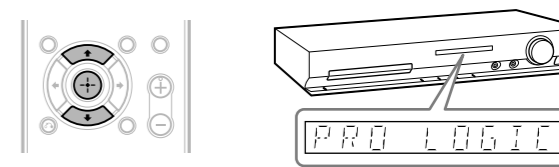
2 Press SYSTEM MENU.
按 SYSTEM MENU 鍵。



3 Press \uparrow/\downarrow to display "SUR.SETTING," then press \oplus .
按 \uparrow/\downarrow 鍵顯示 "SUR.SETTING"，然後按 \oplus 鍵。



4 Press \uparrow/\downarrow to display "PRO LOGIC," then press \oplus .
按 \uparrow/\downarrow 鍵顯示 "PRO LOGIC"，然後按 \oplus 鍵。



5 Press SYSTEM MENU to exit the menu.
按 SYSTEM MENU 鍵退出菜單。