

# 5.1ch Active Speaker System

## Operating Instructions

SA-ID5000



\* 4 1 8 4 8 5 8 1 1 \* (3)

©2010 Sony Corporation Printed in Malaysia

### WARNING

To reduce the risk of fire or electric shock, do not expose this apparatus to dripping or splashing, and do not place objects filled with liquids, such as vases, on the apparatus. To reduce the risk of fire, do not cover the ventilation opening of the apparatus with newspapers, tablecloths, curtains, etc. Do not place the naked flame sources such as lighted candles on the apparatus. As the main plug is used to disconnect the unit from the mains, connect the unit to an easily accessible AC outlet. Should you notice an abnormality in the unit, disconnect the main plug from the AC outlet immediately. Do not install the appliance in a confined space, such as a bookcase or built-in cabinet. Do not expose batteries or apparatus with battery-installed to excessive heat such as sunshine, fire or the like. To prevent injury, this apparatus must be securely attached to the floor/wall in accordance with the installation instructions. The unit is not disconnected from the mains as long as it is connected to the mains, even if the unit itself has been turned off.

### Precautions

- On safety**
  - Before operating the system, be sure that the operating voltage of the system is identical with that of your local power supply.
  - Unplug the system from the mains if it is not to be used for an extended period of time. To disconnect the mains lead, pull the mains lead by grasping the plug. Never pull the mains lead itself.
  - Should any liquid or solid object fall into the system, unplug the system's mains lead and have the system checked by qualified personnel before operating it any further.
  - Mains lead must be changed only at the qualified service shop.
- On operation**
  - Do not drive the speaker system with a continuous wattage exceeding the maximum input power of the system.
  - If the polarity of the speaker connections are not correct, the bass tones will be weak and the position of the various instruments obscure.
  - Before connecting, turn off the amplifier (subwoofer) to avoid damaging the speaker system.
- The speaker grille cannot be removed.** Do not attempt to remove the grille on the speaker system. If you try to remove it, you may damage the speaker.
- The volume level should not be turned up to the point of distortion.**
- On placement**
  - Do not set the speakers in an inclined position.
  - Do not place the speakers in locations that are:
    - Extremely hot or cold
    - Dusty or dirty
    - Very humid
    - Subject to vibrations
    - Subject to direct sunlight
  - Use caution when placing the speaker on a specially treated (waxed, oiled, polished, etc.) floor, as staining or discoloration may result.
- On cleaning**
  - Clean the speaker cabinets with a soft cloth lightly moistened with a mild detergent solution or water. Do not use any type of abrasive pad, scouring powder or solvent such as alcohol or benzene.

### Specifications

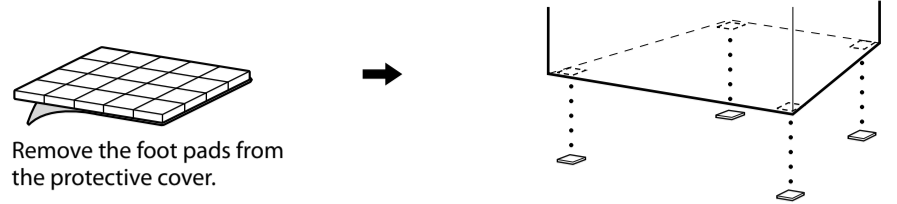
Front/Centre speakers		Input	
Speaker system	Full range, Bass reflex, Magnetically shielded	DVD/CD:	Pin Jack × 6 (5.1 ch) (FL/FR for CD in)
Speaker units	70 mm cone type	TV:	Pin Jack × 2 (L/R)
Rated impedance	4 ohms	AUX:	Pin Jack × 2 (L/R)
Dimensions (approx.)	80 mm × 179 mm × 80 mm (w/h/d)	<b>Power output</b>	
Mass (approx.)	0.4 kg	Front/Centre/Rear speakers	2.5 W × 5 ch (4 ohms, 1 kHz, THD 10 %)
<b>Rear speakers</b>		Subwoofer	17.5 W (3.5 ohms, 100 Hz, THD 10 %)
Speaker system	Full range, Bass reflex	<b>General</b>	
Speaker units	70 mm cone type	Power requirements	230 V AC, 50 Hz
Rated impedance	4 ohms	Power consumptions	25 W
Dimensions (approx.)	80 mm × 179 mm × 80 mm (w/h/d)		
Mass (approx.)	0.3 kg		
<b>Subwoofer</b>			
Speaker system	Active subwoofer, Bass reflex		
Speaker units	130 mm cone type		
Rated impedance	3.5 ohms		
Dimensions (approx.)	157 mm × 277 mm × 282 mm (w/h/d)		
Mass (approx.)	3.8 kg		

### Unpacking

- Front speakers (2)
- Centre speaker (1)
- Rear speakers (2)
- Subwoofer (1)
- Audio cables (3)
- Remote commander (remote) (1)
- R3 (size AAA) batteries (2)
- Foot pads (1 set)

### Attaching the foot pads to the front/centre/rear speakers

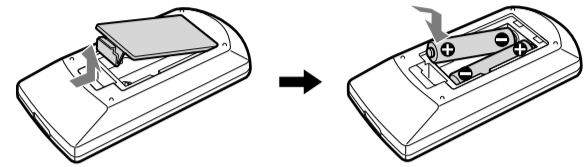
Attach the foot pads (supplied) to the bottom of the speakers to stabilize the speakers and prevent it from slipping.



Remove the foot pads from the protective cover.

### Inserting the batteries into the remote

Insert two R3 (size AAA) batteries (supplied) by matching the ⊕ and ⊖ ends on the batteries to the marking inside the compartment. To use the remote, point it at the remote sensor on the subwoofer.



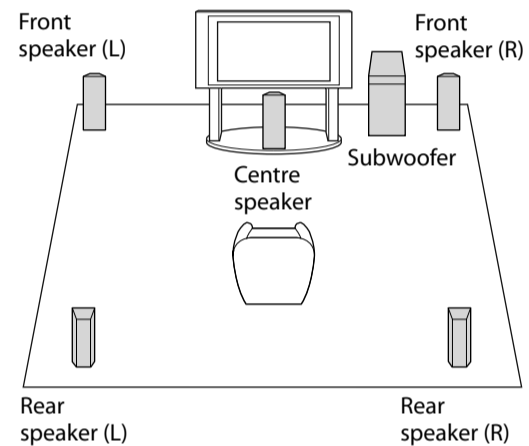
#### Notes

- Do not leave the remote in an extremely hot or humid place.
- Do not use a new battery with an old one.
- Do not drop any foreign object into the remote casing, particularly when replacing the batteries.
- Do not expose the remote sensor to direct light from the sun or lighting apparatus. Doing so may cause a malfunction.
- If you do not intend to use the remote for an extended period of time, remove the batteries to avoid possible damage from battery leakage and corrosion.

### Set Up

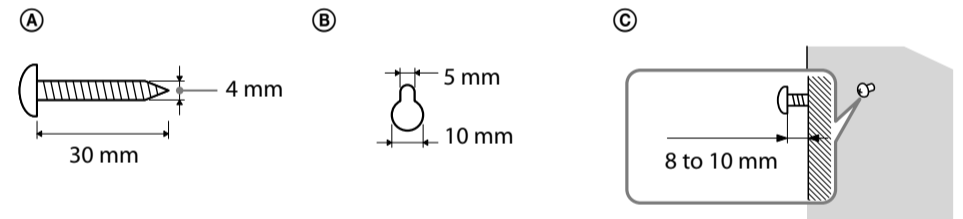
#### Step 1: Positioning the speakers

For the best possible surround sound, place all speakers at the same distance from the listening position. The subwoofer can be placed anywhere in the room.



#### To Install the speakers on a wall

Prepare screws (A) (not supplied) that are suitable for the hole on the back of each speaker (B). Then, fasten the screws to the wall (C). You can hang the speakers on the screws.



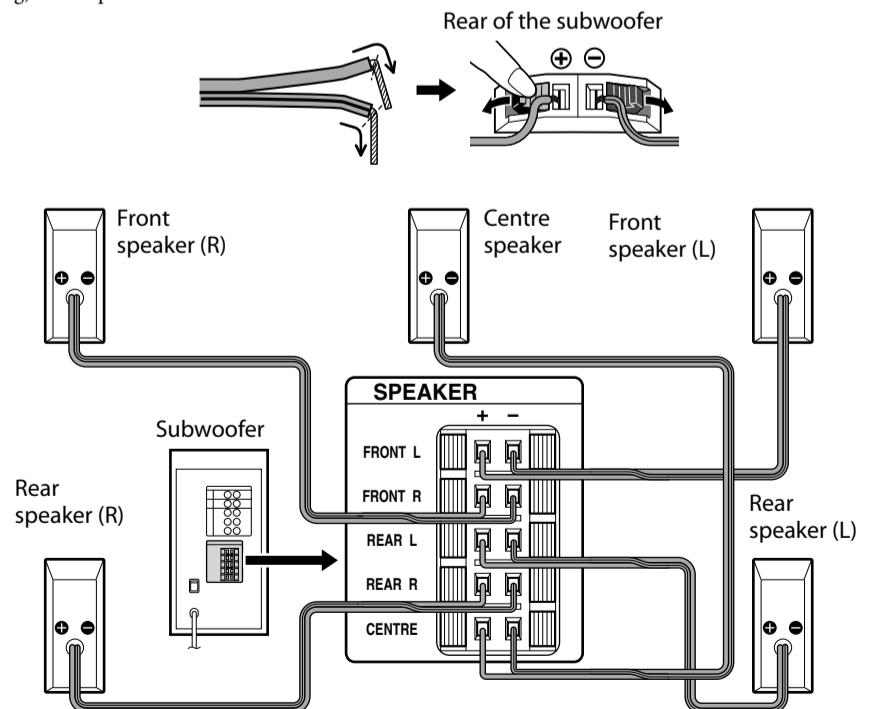
#### Caution

- Sony is not responsible for accidents or damage caused by improper installation, insufficient wall strength or improper screw installation, natural calamity, etc.

#### Step 2: Connecting the speakers

##### To connect the speaker cords

Be sure to match the speaker cords to the appropriate terminals on the subwoofer: the speaker cord with the black line to ⊖, and the speaker cord without the black line to ⊕. Do not catch the speaker cord insulation (rubber covering) in the speaker terminals.

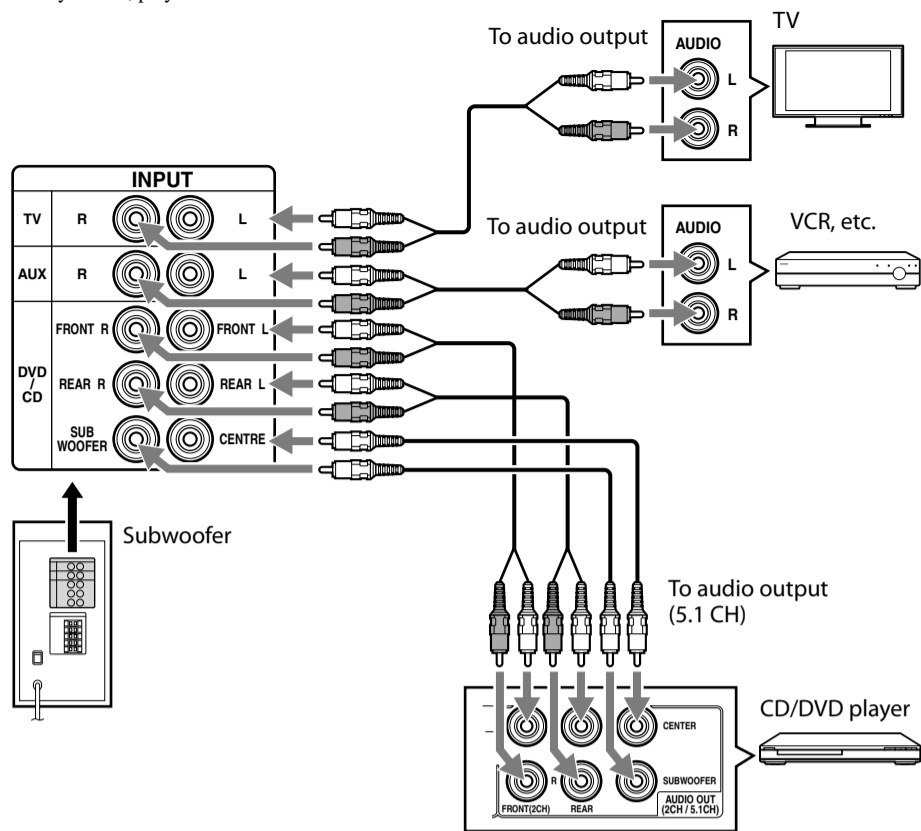


#### Note

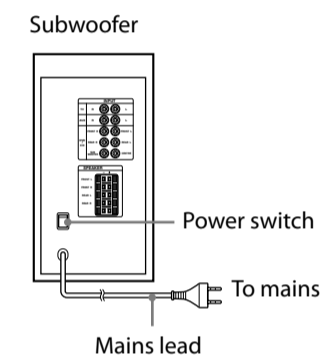
- When you connect another component with a volume control, turn down the volume of the other components to a level where sound is not distorted.

### Step 3: Connecting your TV, player and/or VCR

Connect your TV, player and/or VCR as below.



### Step 4: Turning the system on



- 1 Connect the mains lead of the subwoofer to the mains.**
- 2 Turn on the subwoofer by pressing the power switch.**  
The subwoofer enters standby mode and the ON/STANDBY indicator lights up red.
- 3 Press I/O on the remote.**  
The subwoofer is turned on and the ON/STANDBY indicator lights up green.

### Step 5: Making the speaker settings

#### Setting the speaker using the menu of the CD/DVD player

When connecting to a CD/DVD player with internal multi channel decoders (Dolby\*, etc.), use the speaker setup menus for the CD/DVD player to specify the size and distance, and then level of the speakers. For details, refer to the operating instructions of your CD/DVD player.

\* Dolby and the double-D symbol are trademarks of Dolby Laboratories.

#### ■ SIZE

Selects the size of the speakers. See the table below for proper setting of the speaker size.

For	Set to
FRONT (Front Speakers)	SMALL
CENTER (Centre Speaker)	SMALL
REAR (Rear Speakers)	SMALL
SUBWOOFER (Subwoofer)	YES

#### ■ DISTANCE

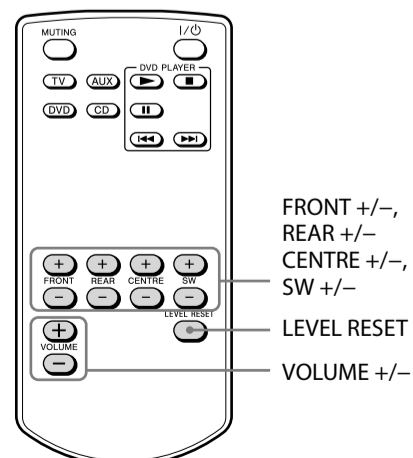
Sets the distance from your listening position to the speakers.

#### ■ LEVEL

Adjust the level and balance of the speaker and subwoofer.

#### Setting the speaker level on the remote

If your player does not have a speaker setup menu, you can adjust the level on the remote.

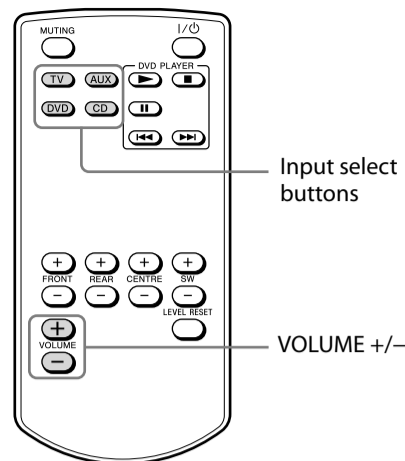


- 1 Play the connected component.**  
See "Step 6: Listening to the TV, DVD, CD or VCR."
- 2 Press the FRONT +/-, REAR +/-, CENTRE +/- and SW +/- to adjust the speaker and subwoofer level to the same level.**  
The parameter of the speakers and subwoofer level is from "-5" to "+5" in 1-step increments. The default setting is "0."
- 3 Press VOLUME +/- to adjust the volume.**

#### Tip

- You can reset the parameter of the speakers and subwoofer level simply by pressing the LEVEL RESET.

### Step 6: Listening to the TV, DVD, CD or VCR



- 1 Press the input select button to select the input source.**

Input source	Playable component
TV	TV connected to the TV jacks.
AUX	VCR etc., connected to the AUX jacks.
DVD	DVD in a player connected to the DVD/CD jacks.
CD	CD in a player connected to the DVD/CD jacks.

- 2 Start playback the connected component.**

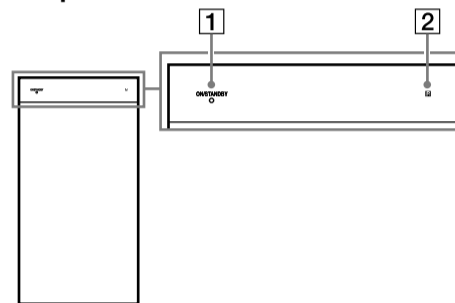
By connecting a Sony DVD player, you can operate it using the supplied remote.

- 3 Adjust the volume by pressing VOLUME +/-.**

### Index to parts and controls

#### Subwoofer

##### Front panel indicator

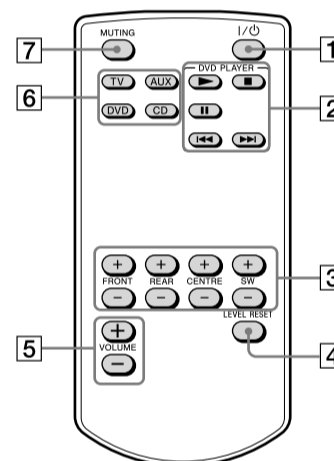


- 1 ON/STANDBY indicator**

Lights up green when the subwoofer is on.  
Lights up red when the subwoofer is in standby mode.

- 2 (remote sensor)**

#### Remote control



##### Buttons for operation of this unit

- 1 I/O (on/standby)**  
Turns on the system or sets it to standby mode.
- 2 Input select (TV, AUX, DVD, CD)**  
Selects an input source.
- 3 Level (FRONT +/-, REAR +/-, CENTRE +/-, SW +/-)**  
Adjusts the level of the speakers and subwoofer.
- 4 LEVEL RESET**  
Resets the level of the speakers and subwoofer in one simple operation.
- 5 VOLUME +/-**  
Adjusts the volume.
- 6 Input select (TV, AUX, DVD, CD)**  
Selects an input source.
- 7 MUTING**  
Turns off the sound temporarily.

##### Playback operation buttons of Sony CD/DVD player

- 2 DVD PLAYER**  
▶ (playback), ■ (stop), || (pause), ◀▶ (skip chapters)

### Troubleshooting

Should you encounter a problem with your speaker system, check the following list and take the indicated measures. If the problem persists, consult your nearest Sony dealer.

#### There is no sound from the speaker system.

- Make sure all the connections have been correctly made.
- Make sure the volume on the amplifier has been turned up properly.
- Make sure the correct input source has been selected.
- Check if headphones are connected to the player. If they are, disconnect them.
- Make sure that the subwoofer isn't in standby mode.

#### There is distortion in the subwoofer sound output.

- Check if any sound-enhancing functions have been activated. If they have, turn them off.

#### There is hum or noise in the speaker output.

- Make sure all the connections have been correctly made.
- Make sure none of the audio components are positioned too close to the TV set.
- If the volume level of the subwoofer is turned up to maximum, extraneous noise may be output.

#### The sound has suddenly stopped.

- Make sure all the connections have been correctly made. Contact between bare speaker wires at the speaker terminals may cause a short circuit.
- Turn on the system again by pressing I/O.

#### Bass sounds are produced too heavily.

- Some material is recorded with strong emphasis on bass sounds, which may be excessive in some cases.

#### No sound is output from specific speakers.

- Check that the speaker cords are fully inserted into the terminals of the subwoofer.
- Depending on the sound source that is input to the system or selected sound effect of the player, no sound is output from the centre speaker.
- Turn on the system again by pressing I/O.