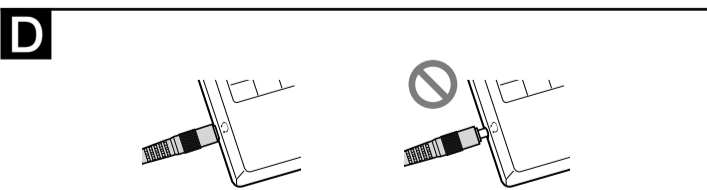
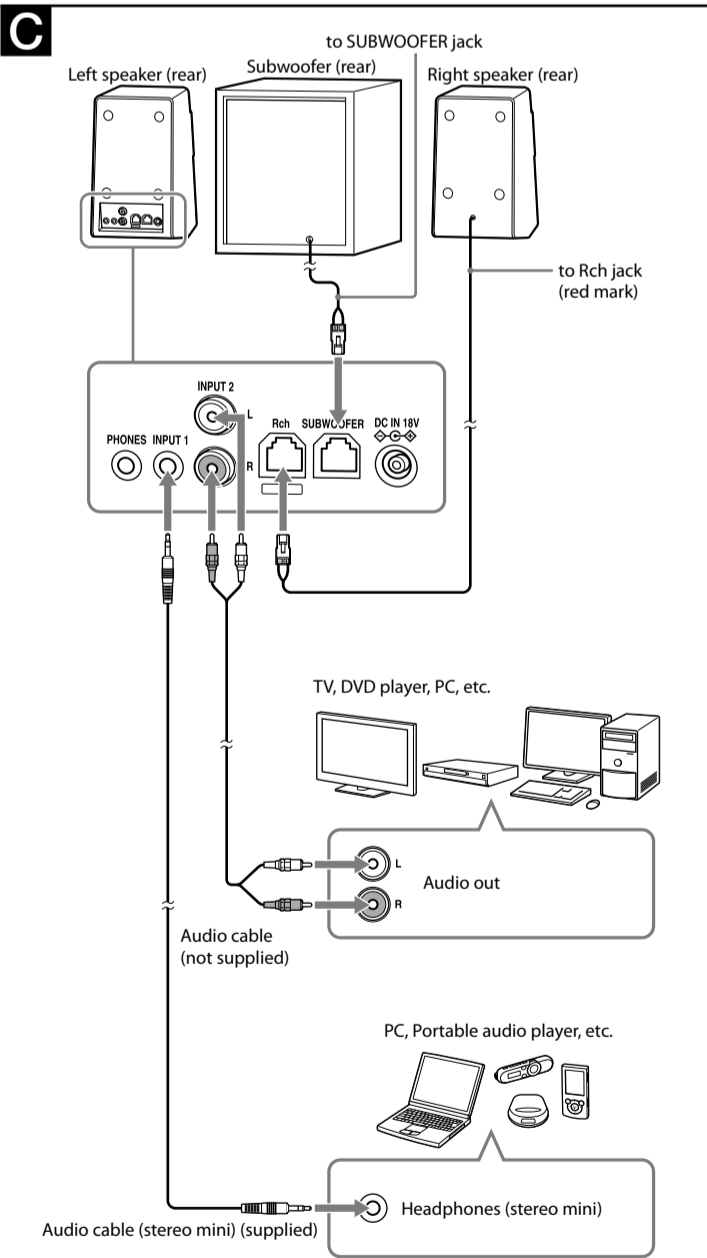
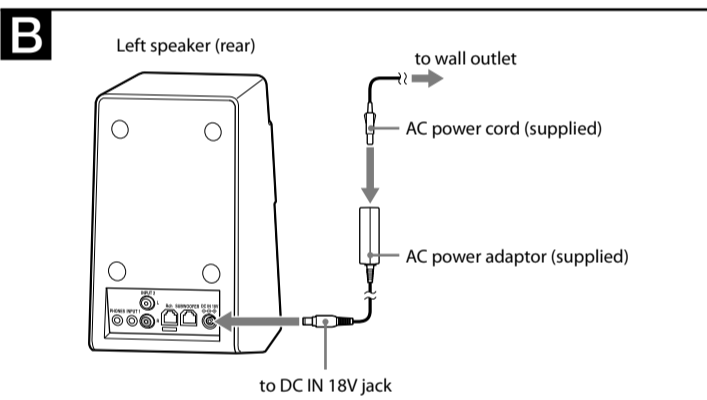
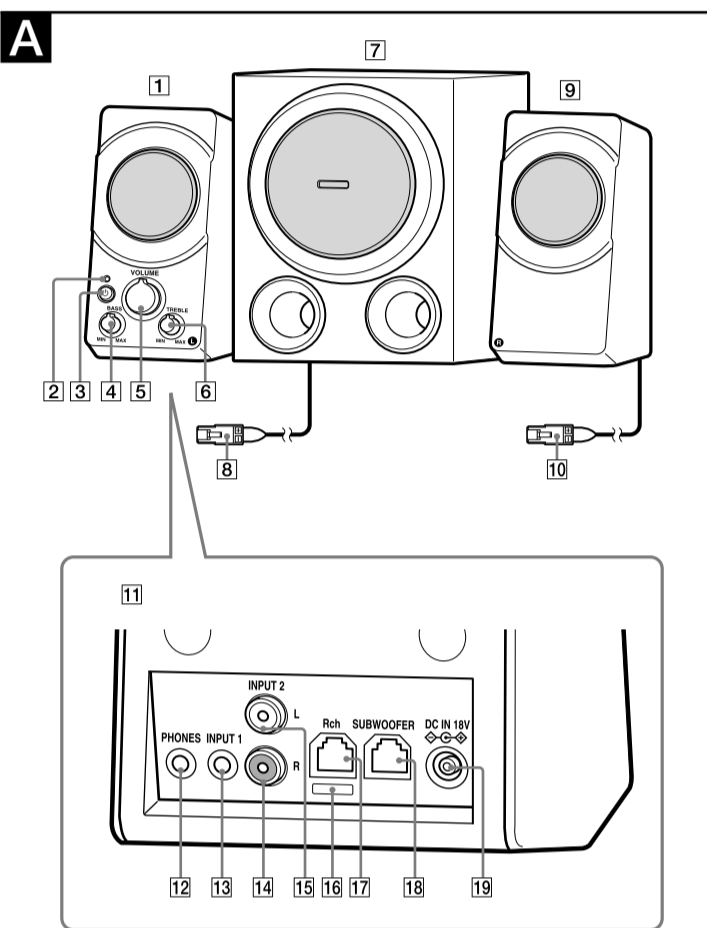


Active Speaker System

Operating Instructions
使用説明書

©2011 Sony Corporation Printed in China

SRS-D8



English

Before operating the system, please read this manual thoroughly and retain it for future reference.

WARNING

To reduce the risk of fire or electric shock, do not expose this apparatus to rain or moisture.

To reduce the risk of electrical shock, do not open the cabinet. Refer servicing to qualified personnel only.

To reduce the risk of fire, do not cover the ventilation opening of the apparatus with newspapers, tablecloths, curtains, etc.

Do not place the naked flame sources such as lighted candles on the apparatus.

To reduce the risk of fire or electric shock, do not expose this apparatus to dripping or splashing, and do not place objects filled with liquids, such as vases, on the apparatus.

Do not install the appliance in a confined space, such as a bookcase or built-in cabinet.

As the main plug is used to disconnect the system from the mains, connect the system to an easily accessible AC outlet.

Should you notice an abnormality in the system, disconnect the main plug from the AC outlet immediately.

The system is not disconnected from the mains as long as it is connected to the AC outlet, even if the system itself has been turned off.

CAUTION

You are cautioned that any changes or modifications not expressly approved in this manual could void your authority to operate this equipment.



Disposal of Old Electrical & Electronic Equipment (Applicable in the European Union and other European countries with separate collection systems)

Precautions

On safety

The nameplate is located on the bottom exterior of the left speaker.

- Before operating the system, be sure that the operating voltage of the system is identical to that of your local power supply.

Where purchased	Operating voltage
Australia/New Zealand/Taiwan	120 V ~ 240 V AC, 50/60 Hz
Other countries/regions	100 V ~ 240 V AC, 50/60 Hz

- Use only the supplied AC power adaptor.

On operation

- Should any solid object or liquid fall into the system, have the system checked by qualified personnel before operating it any further.
- Although the satellite speakers are magnetically shielded, the subwoofer is not, so do not leave recorded tapes, watches, personal credit cards, or floppy disks with magnetic coding in front of the system for an extended period of time.

On placement

- Do not set the system in an inclined position.
- Do not leave the system in a location near heat sources, or in a place subject to direct sunlight, excessive dust, moisture, rain or mechanical shock.

On cleaning

Do not use alcohol, benzine or thinner to clean the cabinet.

If the TV picture or monitor display is magnetically distorted when placed near this system

Although the satellite speakers are magnetically shielded, the subwoofer is not, and there may be cases that the picture on some TV sets/personal computers may become magnetically distorted. In such a case, turn off the power of the TV set/personal computer once, and after 15 to 30 minutes turn it on again. In the case of a personal computer, take appropriate measures such as data storage before turning off.

If no improvement is apparent, locate the system farther away from the TV set/personal computer.

If you have any questions or problems concerning this system that are not covered in this manual, please consult your nearest Sony dealer.

Identifying parts (See fig. A)

- Left speaker (front)
- Power indicator
- Power button
- BASS (bass) control
- VOLUME (volume) control
- TREBLE (treble) control
- Subwoofer (front)
- Grey plug
- Right speaker (front)
- Red plug
- Left speaker (rear)
- PHONES (headphones) jack
- INPUT 1 (Stereo mini) jack
- INPUT 2 R jack
- INPUT 2 L jack
- Red mark
- Rch (right speaker) jack
- SUBWOOFER (subwoofer) jack
- DC IN 18V jack

Power Sources (See fig. B)

Connect the AC power adaptor to the DC IN 18V jack.

Notes on the AC power adaptor

- Use only the supplied AC power adaptor. To avoid damaging the system do not use any other AC power adaptor.
- Plug the AC power adaptor into a nearby AC output. In the case of a problem, unplug from the AC outlet immediately.
- Do not place the AC power adaptor on a bookshelf or in a confined space, such as a cabinet.
- To avoid fire or electric shock do not use the AC power adaptor in a place subject to liquid or moisture. Furthermore, do not place liquid-filled vessels, such as vases, etc., on the AC power adaptor.
- The supplied AC power cord is only for this system. Do not use with any other device.



Polarity of the plug

Hooking up the system (See fig. C)

- Connect the red plug of the right speaker to the jack marked in red, and the grey plug of the subwoofer to the SUBWOOFER jack on the rear of the left speaker.

- Connect the system to a source device.

Refer to the operating instructions supplied with each connected device for details.

When the system is connected to the monaural jack of a source device

The sound may not come through the right speaker.

Notes

If connecting the system via a device with a built-in radio or tuner, radio broadcasts or TV sound may not be received, or sensitivity may be reduced significantly.

- If the PC volume adjustment (master volume, WAV volume, etc.) is low, sound may be insufficient. If so, turn up the sound of the PC. For details on volume adjustment on your PC, refer to its operating instructions.
- Make sure the connection of the stereo mini plug and the jack of the source device is made properly. (See fig. B)
- Make sure the left speaker is properly connected to the right speaker and subwoofer. If you connect incorrectly, low tone may not be produced by the subwoofer, or the sound of the right speaker may be distorted. Discontinue use, as malfunction may result.
- Be sure to lower the volume of the source device (PC, TV, etc.) and turn off the system when removing the audio cable from the source device. If you remove the audio cable while the source device (PC, TV, etc.) is working, the equipment or your ears may be damaged by unexpected loud sound.

Listening to the sound

First, turn down the volume on this system. When connecting the system to the headphones output, turn down the volume of the source device.

- Press the Power button to turn on. The power indicator lights up.
- Start playback of the source device.
- Adjust the volume.
 - VOLUME control: Adjusts the overall volume.
 - BASS control: Adjusts the low tone. Set the bass volume to an undistorted level to prevent system damage.
 - TREBLE control: Adjusts the high tone.

To turn off the system

Press the Power button. The power indicator goes off.

To use the headphones/earphones

Connect them to the PHONES jack.

Notes

- If the source device has a bass boost function or equalizer function, set to off. If these functions are on, sound may be distorted.
- If headphones/earphones are connected, the bass and treble control function does not work.
- If the system volume, bass and treble level is high, depending on the volume setting of the software on PC, speaker sound may be muted. This is caused by the protection circuit, and not a malfunction. Turn down the volume, bass and treble accordingly, in this case.

About the Auto Power function

If no signal is input for about 25 minutes or more, the system turns off automatically. When the Power button is in the ON (pushed) position and a signal is input, the system turns on automatically. This function may not work depending on how the system is used.

Notes

- If the input signal level is too low, the system will not turn on automatically.
- If a device that generates microwaves, such as a mobile phone, is nearby, the system may be turned on unintentionally by the device.
- If a mobile phone is connected to the system, the system may be turned on unintentionally by noise or an incoming call. When connecting a mobile phone, turn on/off the system manually by the Power button.
- The system may not turn off automatically because of received noise, depending on the source device.
- If no device is connected, the system may not turn off automatically, or it may turn on unintentionally.
- The beginning of the input signal may not be heard, depending on the input signal level.
- Until the system receives an input signal and turns on automatically, no sound will be heard.
- When leaving the system unattended, press the Power button to OFF to prevent malfunction.
- If the power is turned off automatically, the Power button remains in the ON (pushed) position, but the power indicator turns off. The system will turn on again automatically when an input signal is received, and the power indicator will turn on. You can manually turn on again by turning the system off and then on again.

Troubleshooting

Should you experience any problems with your speaker system, check the following list and take the suggested measures. Also refer to the operating instructions supplied with each connected device for details about connection. If the problem persists, consult your nearest Sony dealer.

No sound / Low sound level

- Check that both this system and the source device are turned on.
- Turn up the volume of the system.
- Turn up the volume of the source device as high as possible before the onset of distortion. For details on volume adjustment, refer to the operating instructions supplied with the device.
- Make sure all connections have been correctly made. If the audio cable (stereo mini) (supplied) is connected to the audio out jack, the sound level may be low. Connect to the headphones (stereo-mini) jack, in this case.
- If the mute function of the volume adjustment of your PC is set, cancel it.
- Check if headphones are connected. If they are, disconnect them.
- Disconnect the audio cable from the system and PC or source device, then firmly reconnect.
- Ensure that your PC sound balance is set to the center.
- If the source device is connected to both the INPUT 1 (Stereo mini) and INPUT 2 jacks, volume may be attenuated. In this case, disconnect either one of the jacks.

Distorted sound

- Turn down the volume of the source device to the point where the sound is no longer distorted. For details on volume adjustment, refer to the operating instructions supplied with the device.
- If the source device has a bass boost function, set it to off.
- Turn down the volume of the system.
- Make sure all connections have been correctly made. If an audio cable for the audio out jack (not supplied) is connected to the headphones (stereo-mini) jack, sound may be distorted. Connect to the audio out jack, in this case.

There is hum or noise in the system output.

- Make sure all connections have been correctly made.
- Make sure no audio devices are positioned too close to the TV set.

There is noise in the sound from a PC.

If the source device is a PC, connect the audio cable (stereo mini) (supplied) to the headphone jack of the main unit of the PC, not to the monitor of the PC.

The sound comes through only one satellite speaker.

If connecting the system to the monaural jack of a source device, the sound may come through only one satellite speaker.

When connected to a TV, the system does not turn off automatically.

If the audio cable (stereo mini) (supplied) is connected to the headphone jack of the TV, the Auto Power function may not work depending on the TV model. In this case, disconnect the audio cable, and then connect the audio out jack of the TV and the INPUT 2 jack of this system with a suitable audio cable (not supplied).

TV startup sound is heard from the system.

When listening to TV sound, turn on the power of the TV first, and then turn the system on.

Specifications

Speaker section

Speaker system
Satellite speaker: 60 mm, full range, magnetically shielded
Subwoofer: 160 mm

Enclosure type

Satellite speaker: Closed
Subwoofer: Bass reflex

Impedance

Satellite speaker: 8 Ω
Subwoofer: 3.6 Ω

Amplifier section

Reference output power

Satellite speaker: 15 W + 15 W (10% T.H.D., 1 kHz, 8 Ω)
Subwoofer: 30 W (10% T.H.D., 100 Hz, 3.6 Ω)

Input

Stereo mini jack × 1
RCA jack × 1

Input impedance

6 kΩ (at 1 kHz)

Output

Stereo mini jack × 1 (PHONES)

General

Power

DC 18 V (supplied AC power adaptor)

Dimensions (w/h/d)

Satellite speaker: Approx. 109 × 212 × 140 mm

Subwoofer: Approx. 240 × 310 × 318 mm

Left speaker: Approx. 650 g

Right speaker: Approx. 600 g

Subwoofer: Approx. 4,000 g

Supplied accessories

AC power adaptor (1)

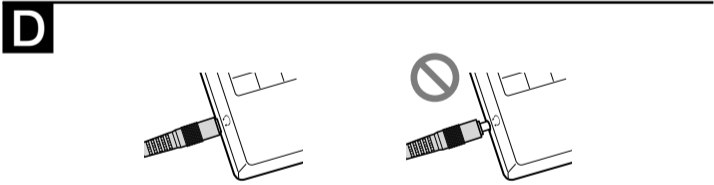
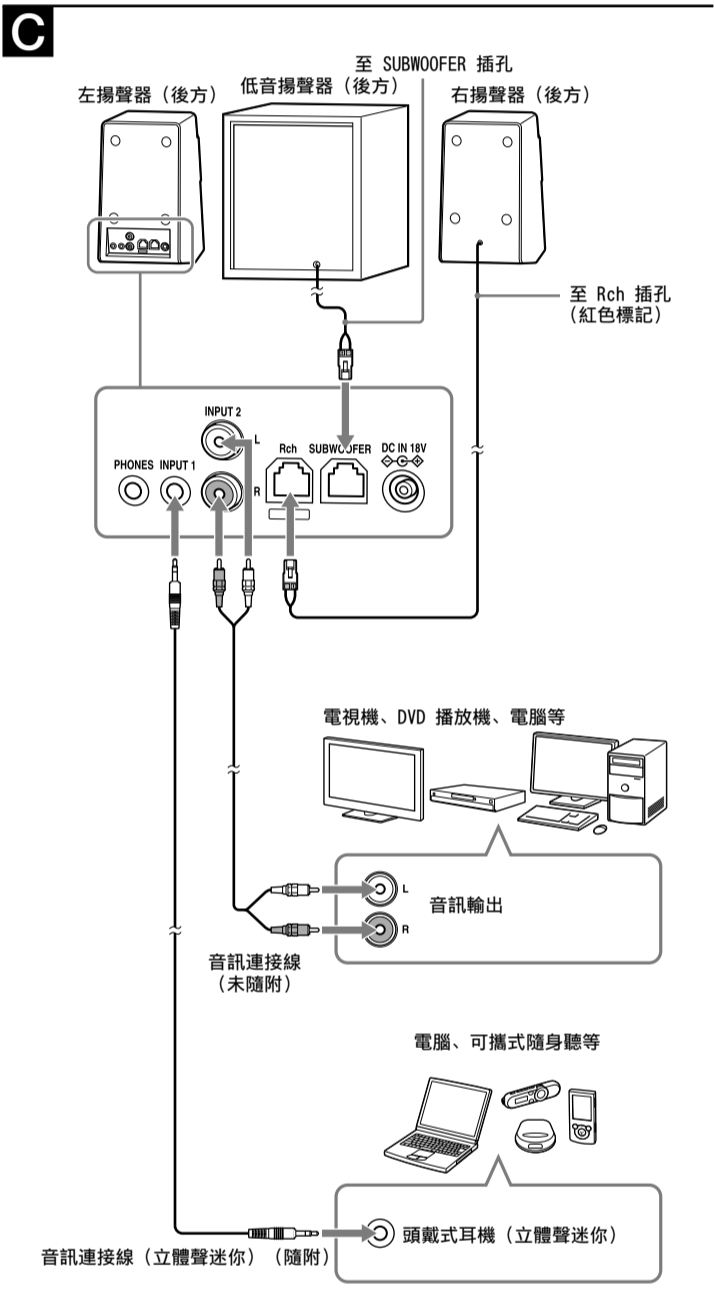
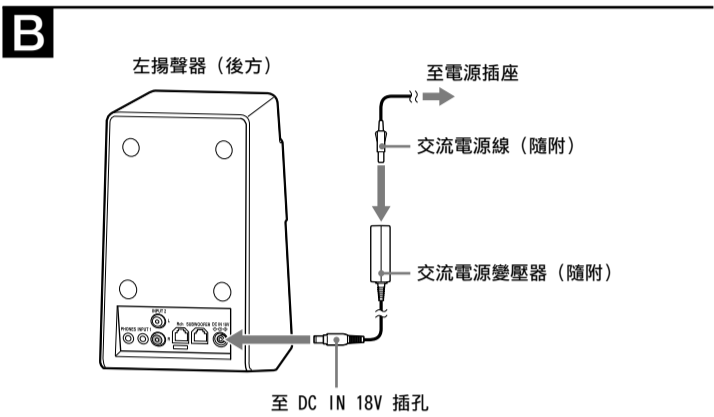
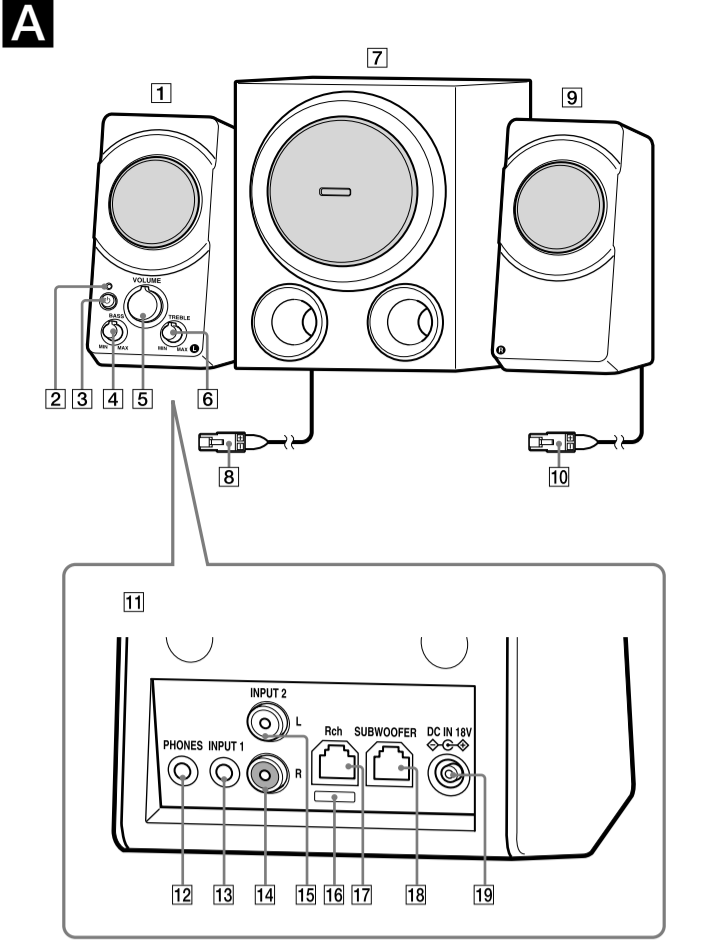
AC power cord* (1)

Audio cable with stereo mini plug (approx. 1.0 m) (1)

Operating Instructions (1)

* The supplied AC power cord is only for this system. Do not use with any other device.

Design and specifications are subject to change without notice.



繁體中文

操作系統前，請先詳細閱讀本手冊，並妥善保存以供未來參考。

警告

為降低引起火災或電擊的風險，切勿讓本裝置暴露在雨水或濕氣當中。

為降低引起電擊的風險，請勿拆開外殼。

請只讓合格的維修人員進行維修。為降低引起火災的風險，切勿讓報紙、集中、窗簾等物品堵住本裝置的通風口。

切勿將點燃的蠟燭等明火置於本裝置上。

為降低引起火災或電擊的風險，切勿讓本裝置受到液體潑濺，並切勿將花瓶等裝滿液體的物品放置在本裝置上。

切勿將本裝置安裝在封閉的空間內，如書架或內嵌式衣櫃。由於電源插頭用於斷開系統與電源的連接，請將系統連接至便於插拔的交流電源插座。

一旦發現系統有異常情況，請立即斷開電源插頭與交流電源插座的連接。即使系統的電源已關閉，只要系統仍連接在交流電源插座上，系統仍然未與交流電源斷開。

注意

請注意，任何未經本說明書明確認可的變更或改裝，可能會讓您失去操作本裝置的授權。

預防措施

安全事項

銘牌位於左揚聲器外殼底部。

- 操作系統前，請先確定系統的工作電壓與您當地的供電電壓相同。

- 請只使用隨附的交流電源變壓器。

操作注意事項

- 萬一有堅硬物體掉入或液體流入系統內，在進一步的操作前，先請合格的維修人員對系統進行檢查。

- 儘管環繞揚聲器有防磁保護，但低音揚聲器沒有，因此切勿將已錄製的錄音/影帶、手錶、個人信用卡或是軟式磁碟等磁性編碼物品長時間放置在系統前。

放置注意事項

- 切勿將系統設置在傾斜的位置。
- 切勿將系統放置在靠近熱源的地方，或是暴露在陽光直射、灰塵過多、濕氣、雨水或機械震動的地方。

清潔注意事項

切勿使用酒精、汽油或稀釋劑來清潔裝置外殼。

若本系統附近的電視畫面或顯示器畫面受磁性影響而扭曲

儘管環繞揚聲器有防磁保護，但低音揚聲器沒有，仍可能會出現電視機/個人電腦的畫面受磁性影響而扭曲的情形。在此情況下，請關閉電視機/個人電腦的電源，並在15到30分鐘後重新開啟。若發生在個人電腦的情況下，請在關閉電源前，採取資料儲存等適當的措施。

若情況未有改善，請將系統移至遠離電視機/個人電腦的位置上。

若有任何關於本系統的疑問，在參考本手冊後仍無法解決，請向您最近的 Sony 經銷商諮詢。

認識各部件

(見圖 A)

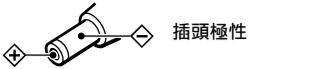
- 左揚聲器 (前方)
- 電源指示燈
- ⏻ (電源) 按鈕
- BASS (低音) 控制
- VOLUME (音量) 控制
- TREBLE (高音) 控制
- 低音揚聲器 (前方)
- 灰色插頭
- 右揚聲器 (前方)
- 紅色插頭
- 左揚聲器 (後方)
- PHONES (耳機) 插孔
- INPUT 1 (立體聲迷你) 插孔
- INPUT 2 R 插孔
- INPUT 2 L 插孔
- 紅色標記
- Rch (右揚聲器) 插孔
- SUBWOOFER (低音揚聲器) 插孔
- DC IN 18V 插孔

電源 (見圖 B)

將交流電源變壓器連接到 DC IN 18V 插孔。

交流電源變壓器注意事項

- 請只使用隨附的交流電源變壓器。為了避免損壞系統，切勿使用其他任何的交流電源變壓器。



- 將交流電源變壓器插入附近的交流電源插座。發生問題時，請立即從交流電源插座上拔除插頭。
- 切勿將交流電源變壓器放置在書架上或衣櫥內等封閉的空間內。
- 切勿在暴露在液體或濕氣的地方使用交流電源變壓器，避免引起火災或電擊。此外，切勿將花瓶等裝滿液體的容器放置於交流電源變壓器上。
- 隨附的交流電源線僅適用於本系統。切勿與其他任何裝置一起使用。

連接系統

(見圖 C)

- 將右揚聲器的紅色插頭連接到標記紅色的插孔，將低音揚聲器的灰色插頭連接到左揚聲器後方的 SUBWOOFER 插孔。

- 將本系統連接至音源裝置。有關詳細內容，請參閱各連接裝置隨附的使用說明書。

當系統連接至音源裝置的單聲道插孔時

聲音可能不會從右揚聲器中傳出。

註

若透過帶有內建收音機或調諧器的裝置連接本系統，可能無法接收收音機廣播或電視機聲音，或是收音的敏感度可能會大幅降低。

- 如果電腦音量調整 (主音量、WAV 音量等) 太低，聲音可能不足。在這種情況下，請將電腦聲音調高。有關電腦音量調整的詳細內容，請參閱其使用說明書。
- 確認立體聲迷你插頭和音源裝置的插孔正確連接。(見圖 D)
- 請確定左揚聲器正確連接到右揚聲器和低音揚聲器。如果不正確連接，低音揚聲器可能無法產生低音，或是右揚聲器的聲音可能失真。請停止使用，否則可能會導致故障。
- 從音源裝置取下音訊連接線時，請務必調低音源裝置 (電腦、電視機等) 的音量並關閉系統。若您在音源裝置 (電腦、電視機等) 運行時取下音訊連接線，設備或您的耳朵可能會因聲音突然變大而受損。

收聽聲音

首先，調低系統上的音量，將系統連接至耳機輸出時，將音源裝置的音量調低。

- 按下 ⏻ 按鈕打開電源。電源指示燈亮起。
- 音源裝置開始播放。
- 調整音量。
 - VOLUME 控制：調整整體音量。
 - BASS 控制：調整低音。將低音音量設定為不失真的等級，以免系統損壞。
 - TREBLE 控制：調整高音。

關閉系統

按下 ⏻ 按鈕。電源指示燈熄滅。

使用頭戴式/耳塞式耳機

將耳機連接至 PHONES 插孔。

註

- 若音源裝置有低音加強或均衡器的功能，請設至關閉。若開啓這些功能，聲音可能會失真。
- 如果連接頭戴式耳機/耳塞式耳機，低音和高音控制功能無效。
- 如果系統音量、低音和高音音量大，視連接的裝置音量設定或電腦軟體的音量設定而定，揚聲器聲音可能會靜音。這是由於保護電路所造成，並非故障。在此情況下，請相應地調低音量、低音和高音。

關於自動電源功能

如果超過約25分鐘未輸入訊號，本系統將自動關閉。當 ⏻ 按鈕處於開啟 (按壓) 位置，且輸入訊號時，本系統會自動開啟。

視系統的使用方式而定，此功能可能無效。

註

- 如果輸入訊號等級太低，本系統不會自動開啟。
- 如果附近有產生微波的裝置，如：行動電話，裝置可能會不小心開啓本系統。
- 如果行動電話連接到本系統，噪音或來電可能會不小心開啓本系統。連接行動電話時，按下 ⏻ 按鈕手動開啟/關閉本系統。
- 視音源裝置而定，本系統可能因為接收到的噪音而不會自動關閉。
- 如果沒有連接裝置，本系統可能不會自動關閉，或者可能會不小心開啓。
- 視輸入訊號等級而定，輸入訊號的開頭可能聽不見。
- 系統接收到輸入訊號並自動打開前，不會聽到聲音。
- 閒置本系統時，按下 ⏻ 按鈕以設定為 OFF，以免故障。
- 如果電源自動關閉，⏻ 按鈕處於開啟 (按壓) 位置，但電源指示燈熄滅。系統接收到輸入訊號後將自動打開，然後電源指示燈亮起。可以透過關閉系統後再打開重新手動開啟。

疑難排解

萬一您有任何關於揚聲器系統的問題，請核對以下清單並採取建議的措施。有關連接的詳細內容，也請參閱各連接裝置隨附的使用說明書。若問題仍在，請向您最近的 Sony 經銷商諮詢。

沒有聲音/低音平

- 請檢查系統和音源裝置是否均已開啓。
- 調高系統音量。
- 在不失真的情況下，儘可能將音源裝置的音量調至最大。更多關於音量調整的詳細內容，請參閱該裝置隨附的使用說明書。
- 請確定所有的連接正確無誤。如果將音訊連接線 (立體聲迷你) (隨附) 連接到音訊輸出插孔，音平可能太低。在此情況下，請連接至頭戴式耳機 (立體聲迷你) 插孔。
- 如果設定了電腦音量調整的靜音功能，請取消。
- 檢查是否連接耳機。如有連接，請斷開與耳機的連接。
- 將音訊連接線從系統與電腦或音源裝置中拔出，然後再次牢固連接。
- 確認電腦聲音平衡設定為中央。
- 如果將音源設備同時連接到 INPUT 1 (立體聲迷你) 插孔和 INPUT 2 插孔，音量可能會衰減。這種情況下，請斷開其中一個插孔的連接。

聲音失真

- 將音源裝置的音量調低，直到聲音恢復正常而不失真。更多關於音量調整的詳細內容，請參閱該裝置隨附的使用說明書。
- 若音源裝置有低音加強的功能，請設至關閉。
- 調低系統音量。
- 請確定已正確建立所有的連接。如果將音訊輸出插孔的音訊連接線 (未隨附) 連接到頭戴式耳機 (立體聲迷你) 插孔，聲音可能會失真。在此情況下，請連接至音訊輸出插孔。

系統的輸出中出現嗡嗡聲或噪音。

- 請確定所有的連接正確無誤。
- 請確定所有的音訊裝置均未放置在太靠近電視機的位置。

電腦的聲音中有噪音。

如果音源裝置是電腦，請將音訊連接線 (立體聲迷你) (隨附) 連接到電腦主機的耳機插孔，而非電腦的顯示器。

聲音僅從一個衛星揚聲器傳出。

如果將系統連接至音源裝置的單聲道插孔，聲音可能僅從一個衛星揚聲器傳出。

連接至電視機時，系統不會自動關閉。

如果將音訊連接線 (立體聲迷你) (隨附) 連接至電視機的耳機插孔，根據電視機型號而定，自動電源功能可能不起作用。這種情況下，請斷開音訊連接線的連接，然後使用合適的音訊連接線 (未隨附) 連接電視機的音訊輸出插孔和本系統的 INPUT 2 插孔。

從系統聽到電視機的啟動聲音。

聆聽電視機聲音時，請首先打開電視機的電源，然後打開系統電源。

規格

揚聲器部分

揚聲器系統

- 衛星揚聲器: 60 mm, 全音域, 防磁保護
- 低音揚聲器: 160 mm

音箱類型

- 衛星揚聲器: 封閉
- 低音揚聲器: 低音反射

阻抗

- 衛星揚聲器: 8 Ω
- 低音揚聲器: 3.6 Ω

擴音器部分

參考輸出功率

- 衛星揚聲器: 15 W + 15 W (10% T.H.D., 1 kHz, 8 Ω)
- 低音揚聲器: 30 W (10% T.H.D., 100 Hz, 3.6 Ω)

輸入

- 立體聲迷你插孔 × 1
- RCA插孔 × 1

輸入阻抗

- 6 kΩ (1 kHz 時)
- 立體聲迷你插孔 × 1 (PHONES)

輸出

- 6 kΩ (1 kHz 時)
- 立體聲迷你插孔 × 1 (PHONES)

一般資訊

電源 DC 18 V (隨附交流電源變壓器)

尺寸 (寬/高/深)

- 衛星揚聲器: 約 109 × 212 × 140 mm
- 低音揚聲器: 約 240 × 310 × 318 mm

質量

- 左揚聲器: 約 650 g
- 右揚聲器: 約 600 g
- 低音揚聲器: 約 4000 g

隨附配件

- 交流電源變壓器 (1)
- 交流電源線 × 1
- 帶有立體聲迷你插頭的音訊連接線 (約1.0 m) (1)
- 使用說明書 (1)

- 隨附的交流電源線僅適用於本系統。切勿與其他任何裝置一起使用。

設計和規格若有變更，恕不另行通知。