

Audio System Component

GB Operating Instructions



©2011 Sony Corporation Printed in China

WHG-CX5iP

http://www.sony.net/



WARNING

To reduce the risk of fire, do not cover the ventilation opening of the apparatus with newspapers, tablecloths, curtains, etc. Do not place the naked flame sources such as lighted candles on the apparatus.

To reduce the risk of fire or electric shock, do not expose this apparatus to dripping or splashing, and do not place objects filled with liquids, such as vases, on the apparatus.

Do not install the appliance in a confined space, such as a bookcase or built-in cabinet.

As the main plug is used to disconnect the unit from the mains, connect the unit to an easily accessible AC outlet. Should you notice an abnormality in the unit, disconnect the main plug from the AC outlet immediately.

Do not expose batteries or apparatus with battery-installed to excessive heat such as sunshine, fire or the like.

The unit is not disconnected from the mains as long as it is connected to the AC outlet, even if the unit itself has been turned off.

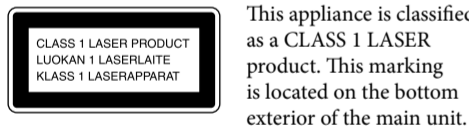
The nameplate is located on the bottom exterior of the main unit.

WARNING

To prevent injury, this apparatus must be securely attached to the wall in accordance with the installation instructions.

CAUTION

The use of optical instruments with this product will increase eye hazard.



This appliance is classified as a CLASS 1 LASER product. This marking is located on the bottom exterior of the main unit.

Note on DualDiscs

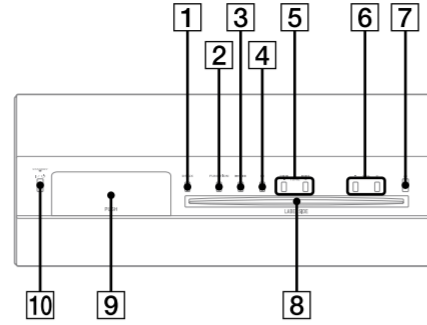
A DualDisc is a two sided disc product which mates DVD recorded material on one side with digital audio material on the other side. However, since the audio material side does not conform to the Compact Disc (CD) standard, playback on this product is not guaranteed.

Music discs encoded with copyright protection technologies

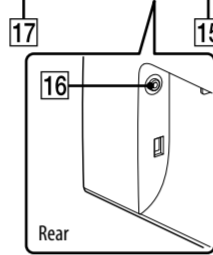
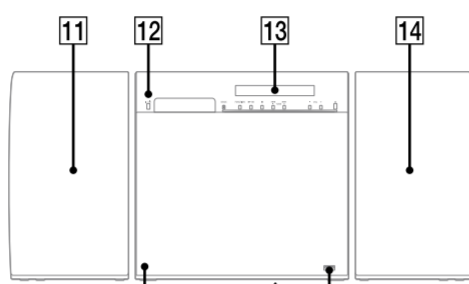
This product is designed to playback discs that conform to the Compact Disc (CD) standard. Recently, various music discs encoded with copyright protection technologies are marketed by some record companies. Please be aware that among those discs, there are some that do not conform to the CD standard and may not be playable by this product.

Location of Controls

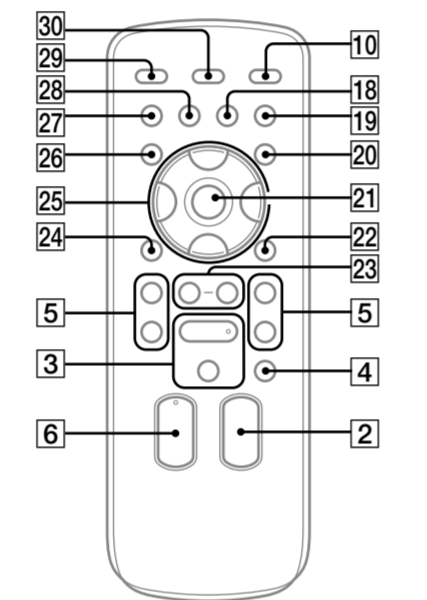
Unit (Top)



Unit (Front)



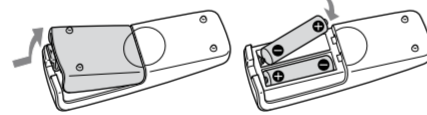
Remote



This manual mainly explains operations using the remote, but the same operations can also be performed using the buttons on the unit having the same or similar names.

To use the remote

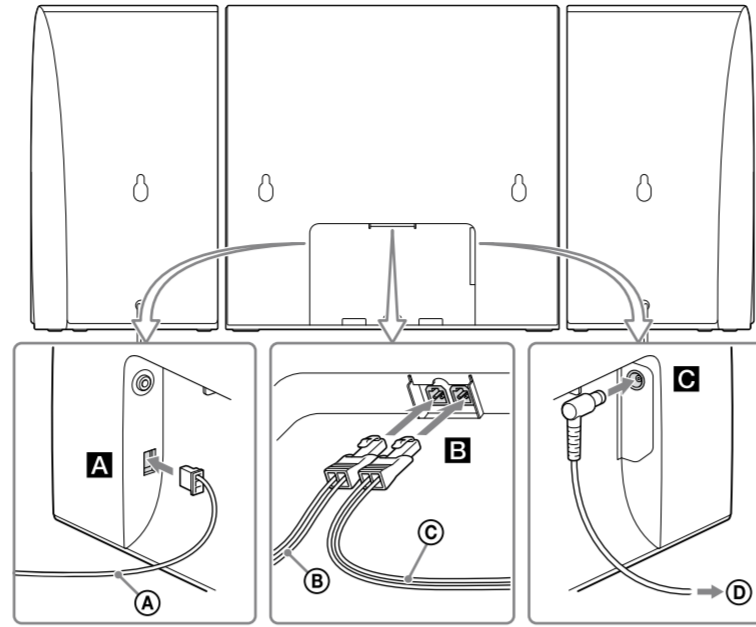
Slide and remove the battery compartment lid, and insert the two R6 (size AA) batteries (not supplied), **+** side first, matching the polarities shown below.



Notes on using the remote

- With normal use, the batteries should last for about 6 months.
- Do not mix an old battery with a new one or mix different types of batteries.
- If you do not use the remote for a long period of time, remove the batteries to avoid damage from battery leakage and corrosion.

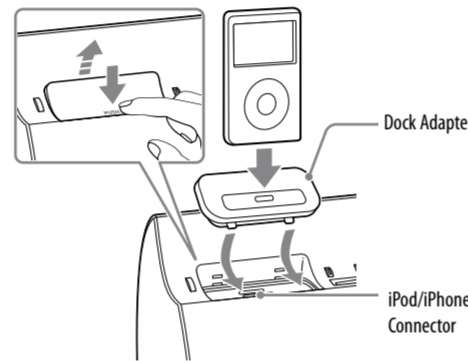
Getting Started



- Ⓐ FM lead antenna (Extend it horizontally.)
- Ⓑ Speaker cord (right)
- Ⓒ Speaker cord (left)
- Ⓓ To AC Adapter

To use the iPod/iPhone

Push up the panel **9** and insert a Dock Adapter into the Dock before using. When using an iPod model, use the Dock Adapter supplied with your iPod. When using an iPhone model, use the Dock Adapter supplied with the system. For details on the Dock Adapters, refer to the instructions supplied with the Dock Adapters.



When not using an iPod/iPhone, keep the panel closed. To remove the Dock Adapter, pull it up with your fingernail or a flat object using the slot inside the adapter.

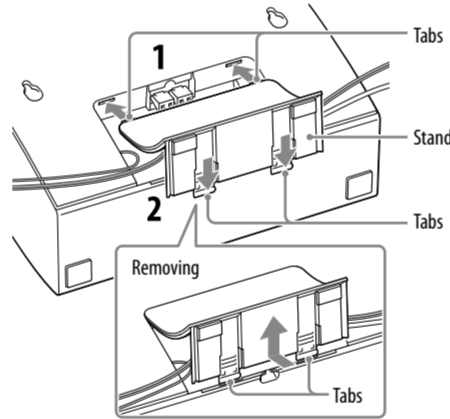
About Dock Adapters for iPhone models

The adapter number is shown on the bottom of Dock Adapter. For iPod models, use the Dock Adapter supplied with your iPod, or purchase a compatible dock adapter from Apple Inc.

- Ⓔ: For iPhone
- Ⓕ: For iPhone 3G and iPhone 3GS
- Ⓖ: For iPhone 4

Installations

Attaching the stand to the system



- 1 Insert the tabs of the stand into the grooved section of the unit.
- 2 While holding down bottom of the stand, insert the tabs of the stand into the grooved section.

To remove the stand from the system

While holding down bottom of the stand, pull up the tabs of the stand from the unit.

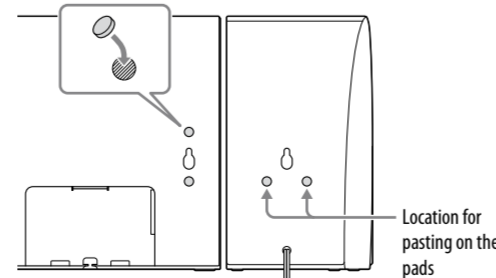
Hanging the system on a wall

You can install the system on a wall. Before installing, remove the stand from the unit.

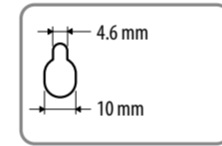
Notes

- Make sure that the power cord is disconnected from the wall outlet before installing the system.
- Use screws that are suitable for the wall material and strength. Contact a screw shop or professional installer regarding the installation, wall material, or screws.
- Insufficient wall strength or use of inappropriate screws may cause the system to fall and be damaged and may result in personal injury.

- 1 Attach the supplied pads to the rear of the speakers and unit.

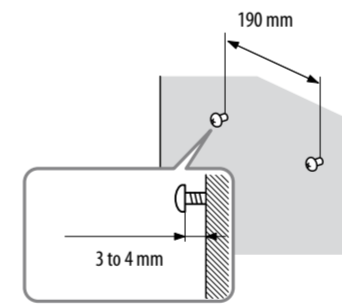


- 2 Prepare screws (not supplied) that are suitable for the holes on the back of the unit and speakers. See the illustrations below.



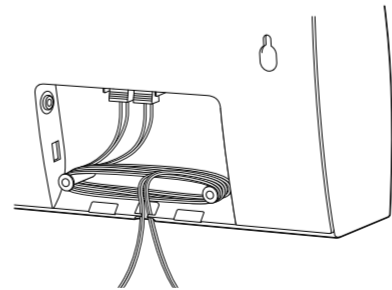
Holes on the back of the unit and speakers

- 3 Fasten the screws to the wall. The commercially available screws should protrude 3 to 4 mm. Install the system on a vertical and flat reinforced area of the wall.



Tips

- When installing the speakers and unit close together, fasten the screws to the wall according to the **▼** marks on the lower side, as illustrated in this manual.
- The distance between the screw of the unit and a speaker is 90 mm minimum. To install the system leaving space between the unit and speakers, adjust the length of the speaker cord before installing the system.
- You can wrap the speaker cord around the protruding on the rear of the unit, as illustrated.



FM antenna

Find a location and an orientation that provide good reception, and then set up the antenna. Keep the antennas away from the speaker cords and the power cord to avoid picking up noise.

Speakers

Connect the speaker cords to the SPEAKERS jacks on the unit.

Power

- 1 Connect the power cord to the AC adapter.
- 2 Connect the AC adapter to the unit, and then plug the power cord in to a wall outlet.

The demonstration appears on the display. When you press **I/⏻** **10**, the system turns on and the demonstration automatically ends. When you turn off the system, the demonstration appears again on the display.

When you set the clock, the system goes to Power Saving mode and the demonstration is canceled.

To set the dock

- 1 Press **I/⏻** **10** to turn on the system.
- 2 Press **TIMER MENU** **20** to select the clock set mode. If "PLAY SET?" flashes, press **▲/♦** **25** repeatedly to select "CLOCK SET?," and then press **⊙** (enter) **21**.
- 3 Press **▲/♦** **25** repeatedly to set the hour, then press **⊙** (enter) **21**.
- 4 Use the same procedure to set the minutes.

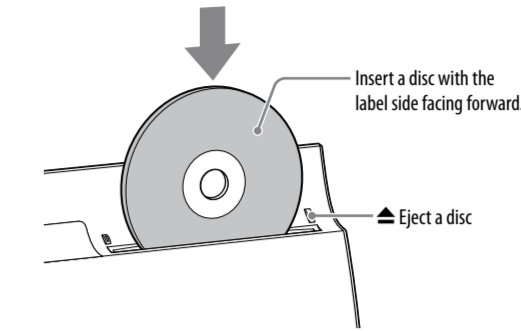
Note
The clock settings are reset when you disconnect the power cord or if a power failure occurs.

To display the clock when the system is off
Press **DISPLAY** **30**. The clock is displayed for about 8 seconds.

Operations

Playing a CD/MP3 disc

- 1 Select the CD function. Press **FUNCTION +/-** **2** repeatedly. Press **FUNCTION +/-** **2** repeatedly.
- 2 Insert a disc. Insert a disc in the disc slot with the label side facing forward.



- 3 Start playback. Press **▶** (play) **3**.

Notes

- When you turn on the system, the disc is not pulled into the disc slot until "No Disc" appears in the display. Do not attempt to push in the disc until "No Disc" appears.
- Do not insert a disc with non-standard shapes (e.g., heart, square, star). The disc may fall into the system and cause irreparable damage.
- When pressing **▲** (eject) on the unit and then reinserting the disc that appears in the disc slot, do not simply push in the disc. Remove the disc from the disc slot and then reinsert it.
- Do not turn off the system with a disc halfway inserted in the disc slot. Doing so may cause the disc to fall.
- Do not use a disc with tape, seals or paste on it as this may cause malfunction.
- When you eject a disc, handle the disc by its edge. Do not touch the surface.
- Do not push a disc into the disc slot when the system is off. Doing so may cause the system to malfunction.
- Do not insert an 8 cm disc with an adapter. Doing so may cause the system to malfunction.

Other operations

To	Press
Pause playback	⏸ (pause) 3 . To resume play, press the button again.
Stop playback	■ (stop) 4 .
Select a folder on an MP3 disc	📁 (select folder) +/- 23 repeatedly.
Select a track or file	⏮ (go back)/ ⏭ (go forward) 5 .
Find a point in a track or file	Hold down ⏮ (rewind)/ ⏭ (fast forward) 5 during playback, and release the button at the desired point.
Select Repeat Play	REPEAT 28 repeatedly until "REP" or "REP1" appears.
Eject a disc	▲ on the unit 7 .

To change the play mode

Press **PLAY MODE** **27** repeatedly while the player is stopped. You can select Normal Play mode ("**📁**" for all MP3 files in the folder on the disc), Shuffle Play mode ("SHUF" or "**📁** SHUF*" for folder shuffle), or Program Play mode ("PGM").

* When playing a CD-DA (audio) disc, **SHUF** (SHUF) Play performs the same operation as normal (SHUF) Play.

Note on Repeat Play

"REP1" indicates that a single track or file is repeated until you stop playback.

Notes on Shuffle Play mode

- When Shuffle Play mode is set to "SHUF" the system shuffle-plays all tracks or files on the disc. When Shuffle Play mode is set to "**📁** SHUF", the system shuffle-plays all tracks or files in selected folder.
- When you turn off the system, the selected Shuffle Play mode ("SHUF" or "**📁** SHUF") is cleared and the play mode returns to Normal Play mode ("**📁**").

Notes on playing MP3 discs

- Do not save other types of tracks or files, or unnecessary folders on a disc that has MP3 files.
- MP3 files are played back in the order that they are recorded onto the disc.
- The system can only play MP3 files that have a file extension of ".mp3".
- Even when file name has the ".mp3" file extension, if the actual file differs, playing this file may generate a loud noise which could damage the speaker system and the system may malfunction.
- The maximum number of:
 - folders is 255 (including the root folder).
 - MP3 files is 511.
 - MP3 files and folders that can be contained on a single disc is 512.
 - folder levels (the tree structure of files) is 8.
- Compatibility with all MP3 encoding/writing software, recording device, and recording media cannot be guaranteed. Incompatible MP3 discs may produce noise or interrupted audio or may not play at all.

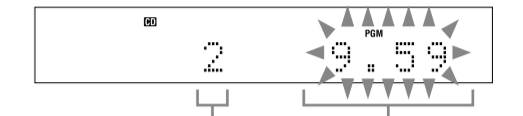
Notes on playing multisession discs

- If the first session on the disc is a CD-DA session, the other sessions on the disc cannot be recognized regardless of the session format; only CD-DA tracks in the first session can be played back.
- If the session format for the first session is CD-ROM and the following sessions are recorded in the same format, the system will continue to play back MP3 files accordingly in multiple sessions until the system encounters another session recorded in a different format.

Creating your own program (Program Play)

- 1 Select the CD function. Press **FUNCTION +/-** **2** repeatedly.
- 2 Select the play mode. Press **PLAY MODE** **27** repeatedly until "PGM" appears while the player is stopped.
- 3 Select the desired track or file number. Press **⏮**/**⏭** **5** repeatedly until the desired track or file number appears.

When programming audio files, press **📁 +/-** **23** repeatedly to select the desired folder, and then select the desired file.



- 4 Program the selected track or file. Press **⊙** **21** to enter the selected track or file.
- 5 Repeat steps 3 through 4 to program additional tracks or files, up to a total of 25 tracks or files.
- 6 To play your program of tracks or files, press **▶** **3**. The program remains available until you remove the disc from the disc slot **8** or unplug the power cord. To play the same program again, press **▶** **3**.

To cancel Program Play

Press **PLAY MODE** **27** repeatedly until "PGM" disappears while the player is stopped.

To delete the last track or file of the program
Press **CLEAR** **18** while the player is stopped.

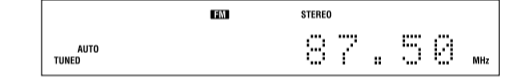
To view program information
Press **DISPLAY** **30** repeatedly.

Listening to the radio

- 1 Select the TUNER function. Press **FUNCTION +/-** **2** repeatedly.
- 2 Perform tuning.

For automatic scanning

Press **TUNING MODE** **27** repeatedly until "AUTO" appears, and then press **+/-** **5**. Scanning stops automatically when a station is tuned in, and "TUNED" and "STEREO" (for stereo programs only) light up in the display.



If "TUNED" does not light up and the scanning for an FM station does not stop, press **■** **4** to stop scanning, then perform manual tuning (below). When you tune in an FM station that provides RDS services, information such as the service name or station name is provided by broadcasts.

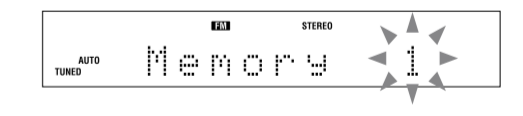
For manual tuning

Press **TUNING MODE** **27** repeatedly until "AUTO" and "PRESET" disappear, and then press **+/-** **5** repeatedly to tune in the desired station.

Tip
To reduce static noise on a weak FM stereo station, press **FM MODE** **28** repeatedly until "MONO" appears to turn off stereo reception.

Presetting radio stations

- 1 Tune in the desired station.
- 2 Press **TUNER MEMORY** **26** to select the tuner memory mode.



- 3 Press **+/-** **5** repeatedly to select the desired preset number. If another station is already assigned to the selected preset number, the station is replaced by the new station.
- 4 Press **⊙** **21** to store the station.
- 5 Repeat steps 1 through 4 to store other stations. You can preset up to 20 FM stations.
- 6 To call up a preset radio station, press **TUNING MODE** **27** repeatedly until "PRESET" appears, and then press **+/-** **5** repeatedly to select the desired preset number.

