



For details, refer to the Operating Instructions.
詳細資訊，請參閱使用說明書。

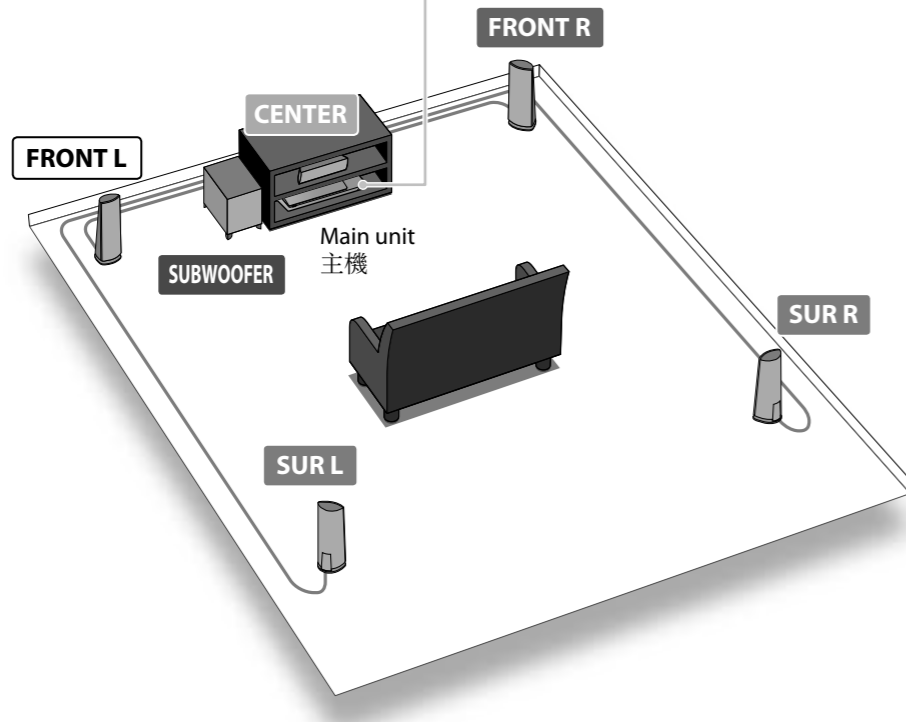
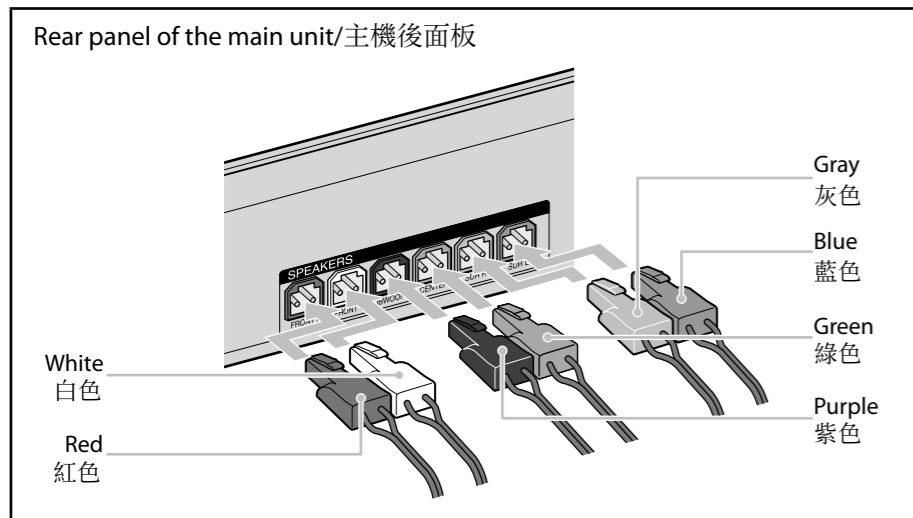
Quick Setup Guide/快速設定指南

BDV-N590

©2012 Sony Corporation Printed in Malaysia

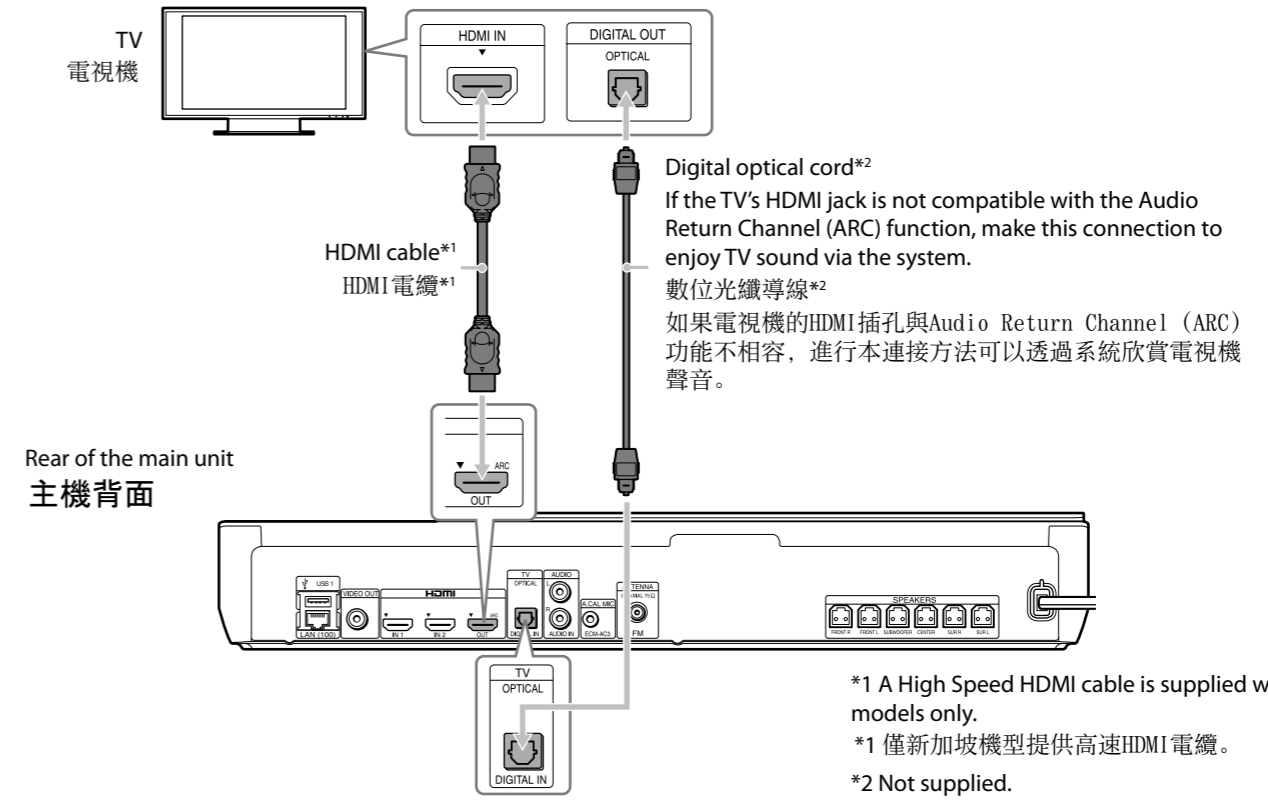
1 Connect the speakers/連接揚聲器

Connect the speaker cords to match the color of the SPEAKERS jacks of the unit.
將揚聲器導線連接到本機上對應顏色的SPEAKERS插孔。



2 Connect your TV/連接電視機

We recommend that you connect the system and TV with an HDMI cable*1. For other connections, refer to the Operating Instructions.
建議您使用HDMI電纜*1連接系統和電視機。關於其他連接，請參閱使用說明書。



Note

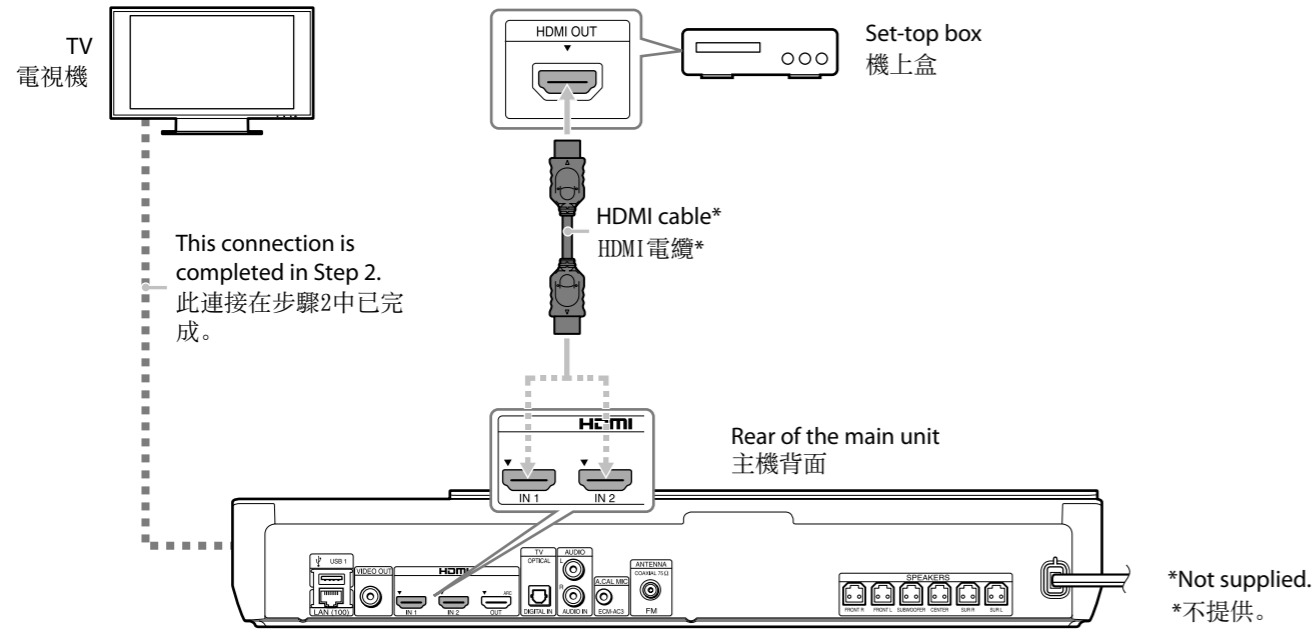
• To enjoy TV sound, press FUNCTION repeatedly to select "TV."

注意

• 若要欣賞電視機聲音，反覆按FUNCTION鍵選擇 "TV"。

3 Connect your set-top box/連接機上盒

If you do not use a set-top box, skip this Step.
如果您不要使用機上盒，請跳過此步驟。



*Not supplied.
*不提供。

Note

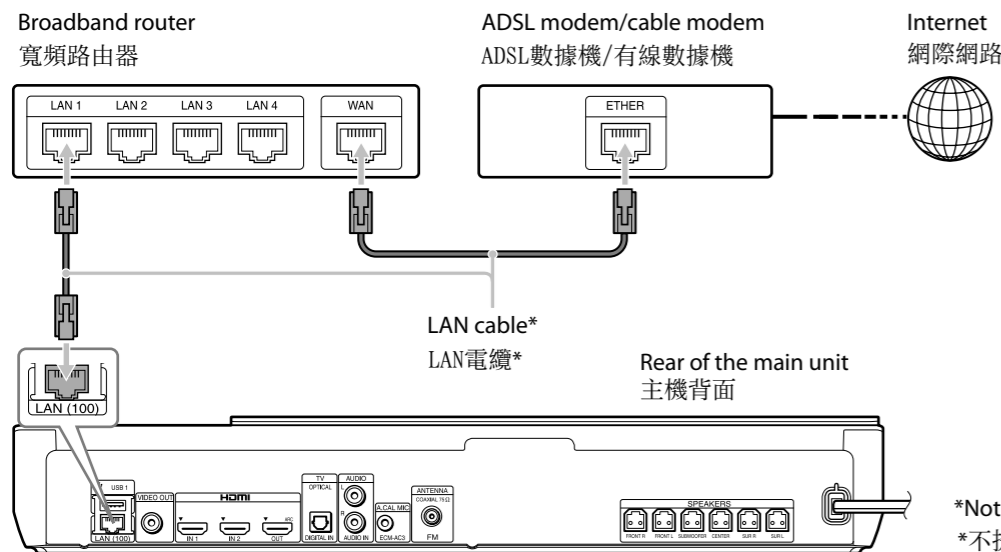
- To enjoy set-top box sound, press FUNCTION repeatedly to select "HDMI1" or "HDMI2."

注意

- 若要欣賞機上盒聲音，反覆按FUNCTION鍵選擇“HDMI1”或“HDMI2”。

4 Connect to the network/連線到網路

Wi-Fi connection is available. To use Wi-Fi, skip this Step.
可使用Wi-Fi連接。若要使用Wi-Fi，請跳過此步驟。

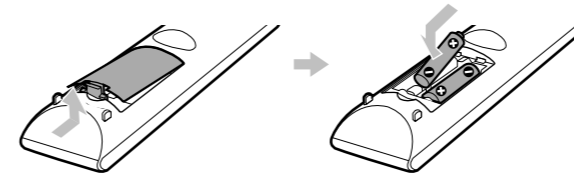


*Not supplied.
*不提供。

5 Perform Easy Setup 執行簡易設置

Do not insert a disc before performing the Easy Setup.
執行簡易設置前，切勿插入光碟。

1. Insert batteries into the remote.
將電池裝入遙控器。



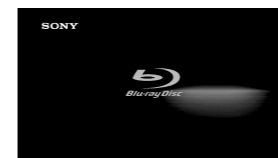
2. Connect the AC power cords of the main unit and your TV to the AC power outlet, and then turn on the power of the main unit and your TV.

將主機和電視機的交流電源線連接到交流電源插座，然後打開主機和電視機的電源。

3. Switch the input selector on your TV so that system screens like the ones below appear on the TV screen.

切換電視機上的輸入選擇器，類似以下畫面的系統螢幕便會出現在電視機螢幕上。

Starting up
啟動

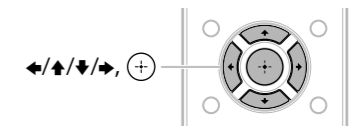


"Easy Initial Settings" screen
“簡易初始設置”畫面



4. Perform system settings by following the on-screen instructions in "Easy Initial Settings" using ←/↑/↓/→ and ⊕.

使用 ←/↑/↓/→ 和 ⊕，依照“簡易初始設置”中的畫面指示，執行系統設定。

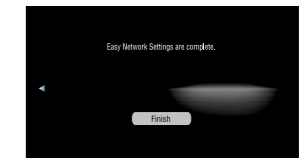


5. Perform network settings by following the on-screen instructions in "Easy Network Settings" using ←/↑/↓/→ and ⊕.

使用 ←/↑/↓/→ 和 ⊕，依照“簡易網路設定”中的畫面指示，執行網路設定。

[Easy Network Settings are complete.] appears when "Easy Network Settings" is complete.

“簡易網路設定”完成時，會出現 [簡易網路設定完成。]。



Basic setup is complete. Refer to the supplied Operating Instructions for details on how to enjoy disc playback and many other features.

基本設定已完成。關於如何欣賞光碟播放和許多其他功能的詳細資訊，請參閱提供的使用說明書。

For further details on network settings, visit the following website and check the FAQ:

關於網路設定的詳細資訊，請參閱以下網站並查看常見問答集：

<http://www.sony-asia.com/section/support>