

Micro HI-FI Component System

GB Operating Instructions



CMT-V50iP

http://www.sony.net/



WARNING

To reduce the risk of fire, do not cover the ventilation opening of the apparatus with newspapers, tablecloths, curtains, etc. Do not place the naked flame sources such as lighted candles on the apparatus.

To reduce the risk of fire or electric shock, do not expose this apparatus to dripping or splashing, and do not place objects filled with liquids, such as vases, on the apparatus.

Do not install the appliance in a confined space, such as a bookcase or built-in cabinet.

As the main plug is used to disconnect the unit from the mains, connect the unit to an easily accessible AC outlet. Should you notice an abnormality in the unit, disconnect the main plug from the AC outlet immediately.

Do not expose batteries or apparatus with battery-installed to excessive heat such as sunshine, fire or the like.

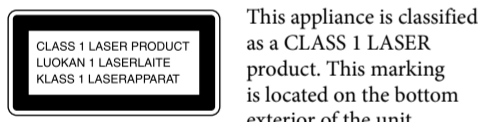
The unit is not disconnected from the mains as long as it is connected to the AC outlet, even if the unit itself has been turned off.

The nameplate is located on the bottom exterior of the unit.

Excessive sound pressure from earphones and headphones can cause hearing loss.

CAUTION

The use of optical instruments with this product will increase eye hazard.



This appliance is classified as a CLASS 1 LASER product. This marking is located on the bottom exterior of the unit.

Notice for customers: the following information is only applicable to equipment sold in countries applying EU directives.

The manufacturer of this product is Sony Corporation, 1-7-1 Konan Minato-ku Tokyo, 108-0075 Japan. The Authorized Representative for EMC and product safety is Sony Deutschland GmbH, Hedelfinger Strasse 61, 70327 Stuttgart, Germany. For any service or guarantee matters please refer to the addresses given in separate service or guarantee documents.

For customers in Europe and Australia

Disposal of Old Electrical & Electronic Equipment (Applicable in the European Union and other European countries with separate collection systems)

This symbol on the product or on its packaging indicates that this product shall not be treated as household waste. Instead it shall be handed over to the applicable collection point for the recycling of electrical and electronic equipment. By ensuring this product is disposed of correctly, you will help prevent potential negative consequences for the environment and human health, which could otherwise be caused by inappropriate waste handling of this product. The recycling of materials will help to conserve natural resources. For more detailed information about recycling of this product, please contact your local Civic Office, your household waste disposal service or the shop where you purchased the product.

Applicable accessory: Remote commander

Europe Only



Disposal of waste batteries (applicable in the European Union and other European countries with separate collection systems)

This symbol on the battery or on the packaging indicates that the battery provided with this product shall not be treated as household waste. On certain batteries this symbol might be used in combination with a chemical symbol. The chemical symbols for mercury (Hg) or lead (Pb) are added if the battery contains more than 0.0005% mercury or 0.004% lead.

By ensuring these batteries are disposed of correctly, you will help prevent potentially negative consequences for the environment and human health which could otherwise be caused by inappropriate waste handling of the battery. The recycling of the materials will help to conserve natural resources.

In case of products that for safety, performance or data integrity reasons require a permanent connection with an incorporated battery, this battery should be replaced by qualified service staff only. To ensure that the battery will be treated properly, hand over the product at end-of-life to the applicable collection point for the recycling of electrical and electronic equipment.

For all other batteries, please view the section on how to remove the battery from the product safely. Hand the battery over to the applicable collection point for the recycling of waste batteries.

For more detailed information about recycling of this product or battery, please contact your local Civic Office, your household waste disposal service or the shop where you purchased the product.

Note on DualDiscs

A DualDisc is a two sided disc product which mates DVD recorded material on one side with digital audio material on the other side. However, since the audio material side does not conform to the Compact Disc (CD) standard, playback on this product is not guaranteed.

Music discs encoded with copyright protection technologies

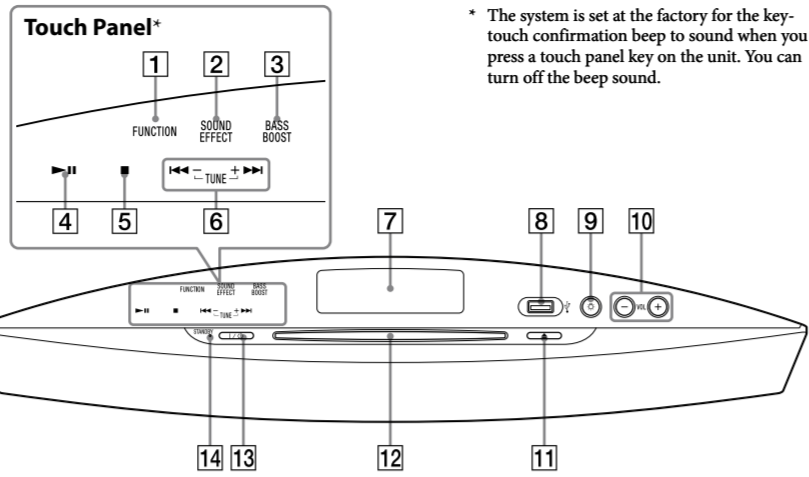
This product is designed to playback discs that conform to the Compact Disc (CD) standard. Recently, various music discs encoded with copyright protection technologies are marketed by some record companies. Please be aware that among those discs, there are some that do not conform to the CD standard and may not be playable by this product.

License and Trademark Notice

- iPhone, iPod, iPod classic, iPod nano, and iPod touch are trademarks of Apple Inc., registered in the U.S. and other countries. iPad is a trademark of Apple Inc.
- MPEG Layer-3 audio coding technology and patents licensed from Fraunhofer IIS and Thomson.
- Windows Media is either a registered trademark or trademark of Microsoft Corporation in the United States and/or other countries.
- This product is protected by certain intellectual property rights of Microsoft Corporation. Use or distribution of such technology outside of this product is prohibited without a license from Microsoft or an authorized Microsoft subsidiary.
- All other trademarks and registered trademarks are of their respective holders. In this manual, ™ and ® marks are not specified.

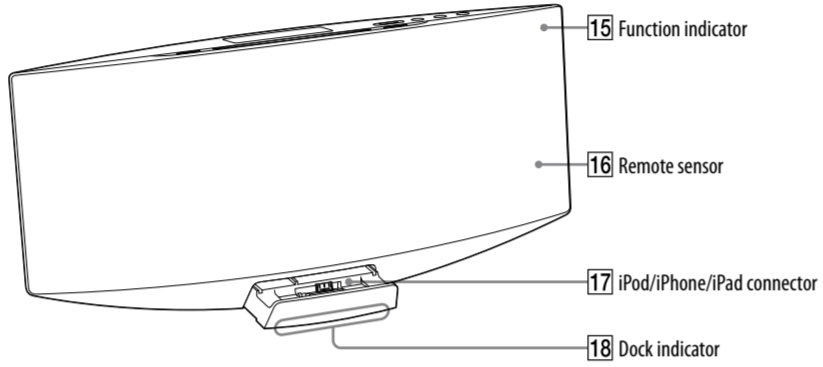
Location of Controls

Unit (Top)



- 7 Display
- 8 |←→ (USB) Port
- 12 Disc slot

Unit (Front)



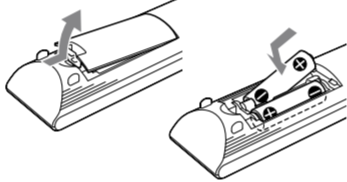
About the function indicator [15]

The function indicator lights in different colors according to the function. You can tell the current function by the color of the indicator. The indicator color of each function is same color as that of the corresponding FUNCTION button on the remote.

Function	Button on the remote	Indicator color
FM	FM	Pink
AM	AM	Sky blue
AUDIO IN	AUDIO IN	Amber
CD	CD	Yellow
iPod	iPod	White
USB	USB	Blue

To use the remote

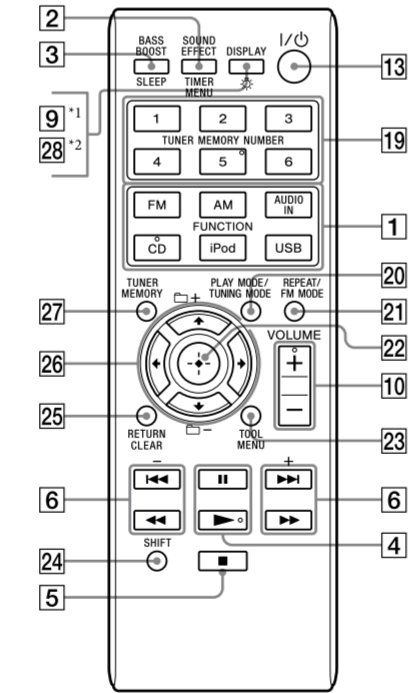
Slide and remove the battery compartment lid, and insert the two supplied R6 (size AA) batteries. ● side first, matching the polarities shown below.



Notes on using the remote

- With normal use, the batteries should last for about 6 months.
- Do not mix an old battery with a new one or mix different types of batteries.
- If you do not use the remote for a long period of time, remove the batteries to avoid damage from battery leakage and corrosion.

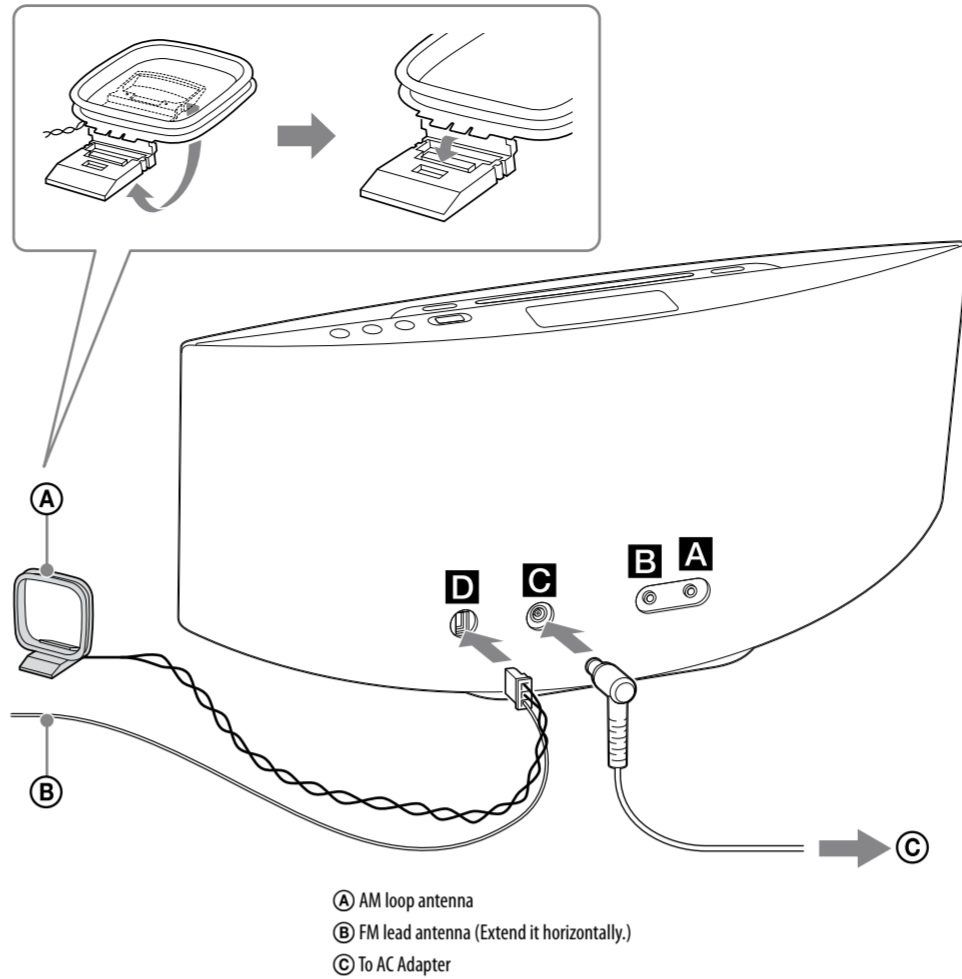
Remote



- * [9] (illumination) button
Turn ON/OFF the dock indicator [18].
- * [28] DISPLAY button

- This manual mainly explains operations using the remote, but the same operations can also be performed using the buttons on the unit having the same or similar names.
- The function indicated by pink on the remote can be activated using SHIFT [24]. If you want to operate the function indicated by pink, press and hold SHIFT [24] and press the button of the function indicated by pink. If you press the button without holding the SHIFT [24] pressed the system activates the function indicated by white.

Getting Started



- A AM loop antenna
- B FM lead antenna (Extend it horizontally.)
- C To AC Adapter

(phones) jack

Connect the headphones.

AUDIO IN jack

Connect an optional audio component.

Power (DC IN 19.5 V)

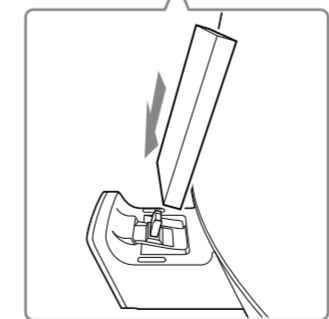
- 1 Connect the power cord to the AC adapter.
- 2 Connect the AC adapter to the unit, and then plug the power cord in to a wall outlet.

Antennas

Find a location and an orientation that provide good reception, and then set up the antennas. Keep the antennas away from the power cord to avoid picking up noise.

To use the iPod/iPhone/iPad

- 1 Open the dock by pushing the center of the dock.



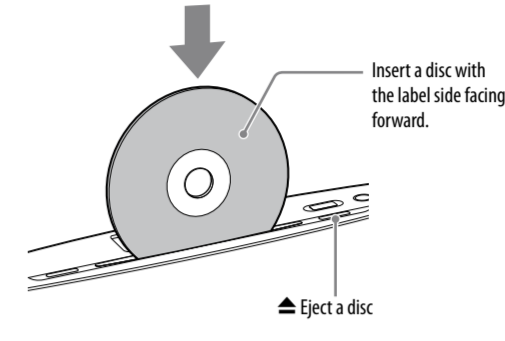
Note

Be careful not to drop the unit when disconnecting an iPod/iPhone/iPad from the iPod/iPhone/iPad connector.

Operations

Playing a CD/MP3 disc

- 1 Select the CD function.
Press CD FUNCTION [1] on the remote or press FUNCTION [1] on the unit repeatedly. The function indicator lights in yellow.
- 2 Insert a disc.
Insert a disc in the disc slot with the label side facing forward.



Playback starts automatically after "READING" disappears.

When you changing from another function to the CD function while a disc is already inserted in the disc slot, press ▶ [4] on the remote or press ►► [4] on the unit to start playback.

Notes

- When you turn on the system, the disc will not be pulled into the disc slot until "NO DISC" appears in the display. Do not attempt to push in the disc until "NO DISC" appears.
- If you cannot insert the disc into the disc slot even when "NO DISC" appears in the display, there may already be a disc in the slot. Press and hold down ▲ [11] to eject such a disc forcibly. If even the system does not then eject the disc, contact your nearest Sony dealer.
- If you cannot eject the disc and "LOCKED" appears in the display, contact your nearest Sony dealer.
- Do not insert a disc with non-standard shapes (e.g., heart, square, star). The disc may fall into the system and cause irreparable damage.
- When pressing ▲ [11] on the unit and then reinserting the disc that appears in the disc slot, do not simply push in the disc. Remove the disc from the disc slot and then reinsert it.
- Do not turn off the system with a disc halfway inserted in the disc slot. Doing so may cause the disc to fall.
- Do not use a disc with tape, seals or paste on it as this may cause malfunction.
- When you eject a disc, handle the disc by its edge. Do not touch the surface.
- Do not insert an 8 cm disc with an adapter. Doing so may cause the system to malfunction.

Other operations

To	Press
Pause playback	[4] (or ►► [4] on the unit). To resume play, press the button again.
Stop playback	■ [5].
Select a folder on an MP3 disc	□ +/- [26].
Select a track or file	◀◀/▶▶ [6].
Find a point in a track or file	Hold down ◀◀/▶▶ [6] (or ◀◀/▶▶ [6] on the unit) during playback, and release the button at the desired point.
Select Repeat Play	REPEAT [21] repeatedly until "G" or "G1" appears.
Eject a disc	▲ [11] on the unit.

To change the play mode

Press PLAY MODE [20] repeatedly while the player is stopped. You can select Normal Play mode ("FLDR" for all MP3 files in the folder on the disc), Shuffle Play mode ("SHUF" or "FLDR SHUF" for folder shuffle), or Program Play mode ("PGM").
* When playing a CD-DA (audio) disc, FLDR or FLDR SHUF Play performs the same operation as Normal or SHUF Play.

Notes on Repeat Play

- "G" indicates that all tracks or files will be repeated until you stop playback.
- "G1" indicates that a single track or file will be repeated until you stop playback.

Notes on Shuffle Play mode

- When Shuffle Play mode is set to "SHUF" the system shuffle-plays all tracks or files on the disc. When Shuffle Play mode is set to "FLDR SHUF" the system shuffle-plays all tracks or files in selected folder.
- When you turn off the system, the selected Shuffle Play mode ("SHUF" or "FLDR SHUF") is cleared and the play mode returns to Normal or FLDR Play mode.

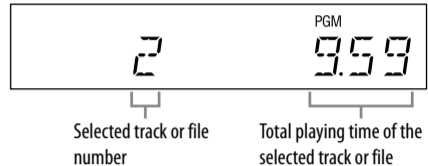
Notes on playing MP3 discs

- Do not save other types of tracks or files, or unnecessary folders on a disc that has MP3 files.
- Folders that have no MP3 files are skipped.
- The system can only play MP3 files that have a file extension of ".mp3".
- Even when file name has the ".mp3" file extension, if the actual file differs, playing this file may generate a loud noise which could damage the system may malfunction.
- The maximum number of:
—999* folders (including the root folder)
—999 MP3 files
—250 MP3 files in a single folder
—8 folder levels (in the tree structure of files)
- Compatibility with all MP3 encoding/writing software, recording device, and recording media cannot be guaranteed. Incompatible MP3 discs may produce noise or interrupted audio or may not play at all.

* This include folders that have no MP3 or other files. The number of folders that the system can recognize may be less than actual number of folders, depending on the folder structure.

Creating your own program (Program Play)

- 1 Select the CD function.
Press CD FUNCTION [1] on the remote or press FUNCTION [1] on the unit repeatedly. The function indicator lights in yellow.
- 2 Select the play mode.
Press PLAY MODE [20] repeatedly until "PGM" appears while the player is stopped.
- 3 Select a folder (MP3 disc only).
Press □ +/- [26] repeatedly to select the desired folder. If you want to program all files in the folder, press ◻ [22].
- 4 Select the desired track or file number.
Press ◀◀/▶▶ [6] repeatedly until the desired track or file number appears.



- 5 Program the selected track or file.
Press ◻ [22] to enter the selected track or file. "..." appears when the total playing time exceeds 100 minutes for an CD or when you program an MP3 files.
- 6 Repeat steps 3 through 5 to program additional tracks or files, up to a total of 25 tracks or files.
- 7 To play your program of tracks or files, press ► [4] (or ►► [4] on the unit).
The program remains available until you remove the disc from the disc slot [12] or unplug the power cord. To play the same program again, press ► [4] (or ►► [4] on the unit).

To cancel Program Play

Press PLAY MODE [20] repeatedly until "PGM" disappears while the player is stopped.

To delete the last track or file of the program

Press and hold SHIFT [24] and CLEAR [25] while the player is stopped.

Listening to the radio

- 1 Select the TUNER function.
Press FM or AM FUNCTION [1] on the remote or press FUNCTION [1] on the unit repeatedly. The function indicator lights in pink (FM) or sky blue (AM).
- 2 Perform tuning.

For automatic scanning

Press TUNING MODE [20] repeatedly until "AUTO" appears, and then press +/- [6]. Scanning stops automatically when a station is tuned in, and "TUNED" and "STEREO" (for stereo programs only) light up in the display.



If "TUNED" does not light up and the scanning does not stop, press ■ [5] to stop scanning, then perform manual tuning (below).

When you tune in a station that provides RDS services, information such as the service name or station name is provided by broadcast.

For manual tuning

Press TUNING MODE [20] repeatedly until "MANUAL" appears, and then press +/- [6] repeatedly to tune in the desired station.

Tip
To reduce static noise on a weak FM stereo station, press FM MODE [21] repeatedly until "MONO" appears to turn off stereo reception.

To change the AM tuning interval (except for European and Russian models)

The default setting for AM tuning interval is 9 kHz (or 10 kHz for some areas). Use the buttons on the unit to perform this operation.

- 1 Press AM FUNCTION [1] on the remote or press FUNCTION [1] on the unit repeatedly to select the AM station.
- 2 Press I/O [13] to turn off the system.
- 3 Press and hold VOL + [10] and press I/O [13] on the unit.
"STEP 9K" or "STEP 10K" appears in the display. When you change the interval, all the AM preset stations are erased.

Presetting radio stations

- 1 Tune in the desired station.
- 2 Press TUNER MEMORY [27] to select the tuner memory mode.



3 Press ⏮ [**6**] repeatedly to select the desired preset number.

If another station is already assigned to the selected preset number, the station is replaced by the new station.

4 Press Ⓜ [**22**] to register the station.

5 Repeat steps 1 through 4 to register other stations. You can preset up to 20 FM and 10 AM stations.

To tune in to a preset radio station

If you registered a radio station to a preset number 1 to 6, the radio station will be tuned in by just pressing the TUNER MEMORY NUMBER (1 to 6) [**19**] when the system function is set to AM or FM.

If you registered a radio station to a preset number 7 or higher, press TUNING MODE [**20**] repeatedly until “PRESET” appears then press +/- [**6**] repeatedly to select the desired preset number.

Playing the iPod/iPhone/iPad

1 Select the iPod function. Press iPod FUNCTION [**1**] on the remote or press FUNCTION [**1**] on the unit repeatedly.

The function indicator lights in white.

2 Place the iPod/iPhone/iPad.

3 Start playback. Press ▶ [**4**] on the remote or press ▶|| [**4**] on the unit.

To	Press
Pause playback	 [4] [5] .
Select a track or chapter of audiobook/podcast	◀ ▶ ▶ [6] . To fast-forward or fast-rewind, hold down the button.
Find a point in a track or chapter of audiobook/podcast	Hold down ◀ ▶ ▶ [6] during playback, and release the button at the desired point.
Choose the selected item	⊖ [22] .
Scroll up/down the iPod menus	▲ / ▼ [26] .
Return to the previous menu or select a menu	TOOL MENU [23] /RETURN [25] .

To use the system as a battery charger

You can use the system as a battery charger for an iPod/iPhone/iPad whether the system is on or off.

To see whether charging is operating or not, check the battery icon of the iPod/iPhone/iPad display. Check the “iPod/iPhone/iPad section” of the “Specifications” for a list of iPod/iPhone/iPad models compatible with this system.

To stop charging an iPod/iPhone/iPad

Remove the iPod/iPhone/iPad.

Notes on charging an iPod/iPhone/iPad

- When a USB function is selected while the system is on, you cannot charge an iPod/iPhone/iPad.
- If you press DISPLAY [**28**] while charging when the system is off, the system stops charging an iPod/iPhone/iPad. To restart charging of an iPod/iPhone/iPad, reconnect the iPod/iPhone/iPad when the display mode is Power Saving mode.

- Notes**
 - The performance of the system may be vary, depending on the specifications of your iPod/iPhone/iPad.
 - When placing or removing the iPod/iPhone/iPad, handle the iPod/iPhone/iPad in the same angle as that of the iPod/iPhone/iPad connector on the unit and do not twist or sway the iPod/iPhone/iPad to prevent connector damage.
 - Do not carry the system with an iPod/iPhone/iPad set on the connector. Doing so may cause a malfunction.
 - When placing or removing the iPod/iPhone/iPad, brace the system with one hand and take care not to press the controls of the iPod/iPhone/iPad by mistake.
 - To change the volume level, use VOLUME +/- [**10**]. The volume level does not change if you adjust it on the iPod/iPhone/iPad.
 - To use an iPod/iPhone/iPad, refer to the user’s guide of your iPod/iPhone/iPad.
 - Sony cannot accept responsibility in the event that data recorded to iPod/iPhone/iPad is lost or damaged when using an iPod/iPhone/iPad with this system.

Playing a file of the USB device

The audio format that can be played back on this system is MP3/WMA*/AAC*.

* Files with DRM (Digital Rights Management) copyright protection or files downloaded from an online music store cannot be played on this system. If you try to play one of these files, the system plays the next unprotected audio file.

Check the websites below for the information about compatible USB devices.

For customers in Europe:

<http://support.sony-europe.com/>

For customers in other countries/regions:

<http://www.sony-asia.com/support>

1 Prepare the sound source. Connect additional audio component to the AUDIO IN jack [**3**] on the unit using an audio analog cord (not supplied).

2 Turn down the volume. Press VOLUME − [**10**].

3 Select the AUDIO IN function. Press AUDIO IN FUNCTION [**1**] on the remote or press FUNCTION [**1**] on the unit repeatedly. The function indicator lights in amber.

4 Start playback. Start playback of the connected component and adjust the volume.

To	Press
Pause playback	 [4] (or ▶ ▶ [4] on the unit). To resume play, press the button again.

To	Press
Stop playback	■ [5] . To resume play, press ▶ [4] *1 (or ▶ [4] on the unit). To cancel resume play, press ■ [5] again*2.
Select a folder	⏪ +/- [26] repeatedly.
Select a file	◀ ▶ ▶ [6] .
Find a point in a file	Hold down ◀ ▶ ▶ [6] (or ◀ ▶ ▶ [6] on the unit) during playback, and release the button at the desired point.
Select Repeat Play	REPEAT [21] repeatedly until “ Ⓜ ” or “ Ⓜ 1” appears.

*1 When playing a VBR MP3/WMA file, the system may resume playback from a different point.

*2 Resume play returns to the play folder.

To change the play mode

Press PLAY MODE [**20**] repeatedly while the player is stopped. You can select Normal Play mode (playback in sequence of all files on the USB device), Folder Play mode (“FLDR” for all files in the specified folder on the USB device), or Shuffle Play mode (“SHUF” or “FLDR SHUF” for folder shuffle).

Note on the play mode

When you turn off the system, the selected Shuffle Play mode (“SHUF” is cleared and the play mode returns to Normal Play mode.

Notes on Shuffle Play mode

- When Shuffle Play mode is set to “SHUF,” the system shuffle-plays all audio files on the USB device. When Shuffle Play mode is set to “FLDR SHUF,” the system shuffle-plays all audio files in selected folder.

- When you turn off the system, the selected Shuffle Play mode (“SHUF” or “FLDR SHUF”) is cleared and the play mode returns to Normal Play mode (“FLDR”).

Notes on Repeat play

- If you select ⏮ when the system is in Normal Play mode, the system executes repeat play of all audio files in the USB device until you stop playback. If you select ⏮ when the system is in Folder Play mode, the system executes repeat play of all audio files in the selected folder until you stop playback.
- If you select ⏮ when the system executes continuous repeat play of the selected file until you stop playback.

Notes

- The playback order for the system may differ from the playback order of the connected digital music player.
- Be sure to turn off the system before removing the USB device. Removing the USB device while the system is turned on may corrupt the data on the USB device.
- When USB cable connection is necessary, connect the USB cable supplied with the USB device to be connected. See the operation manual supplied with the USB device to be connected for details on the operation method.
- It may take time before “READING” appears, depending on the type of USB device connected.
- Do not connect the USB device through a USB hub.
- When the USB device is inserted, the system reads all the files on the USB device. If there are many folders or files on the USB device, it may take a long time to finish reading the USB device.
- With some connected USB devices, after an operation is performed, there may be a delay before it is performed by this system.
- Compatibility with all encoding/writing software cannot be guaranteed. If audio files on the USB device were originally encoded with incompatible software, those files may produce noise or interrupted sound, or may not be played back at all.
- This system cannot play audio files on the USB device in the following cases:
 - when the total number of audio files in a folder exceeds 250.
 - when the total number of audio files on a USB device exceeds 3000.
 - when the total number of folders on a USB device exceeds 1000 (including the “ROOT” folder and empty folders).

These numbers may vary depending on the file and folder structure. Do not save other types of files or unnecessary folders on a USB device that has audio files.

- The system can play back to a depth of 8 folders only.
- This system does not necessarily support all the functions provided in a connected USB device.
- Folders that have no audio files are skipped.
- The audio formats that you can listen to with this system are as follows:
 - MP3: file extension “mp3”
 - WMA: file extension “.wma”
 - AAC: file extension “.m4a”

Note that even when file name has the correct file extension, if the actual file differs, the system may produce noise or may malfunction.

To use the system as a battery charger
You can use the system as a battery charger for USB devices that have a rechargeable function when the system is on. Press USB FUNCTION [**1**] on the remote or press FUNCTION [**1**] on the unit repeatedly.

The charging begins when the USB device is connected to the ↔ (USB) port [**8**]. The charge status appears in the USB device display. For details, see the user’s guide of your USB device.

To stop charging the USB device
Remove the USB device.

Notes on charging the USB device

- You cannot charge an iPod/iPhone/iPad and the USB device at the same time. When charging USB device, select the function to USB function.
- You cannot charge the USB device when the system is off.

Using optional audio components

1 Prepare the sound source.

Connect additional audio component to the AUDIO IN jack [**3**] on the unit using an audio analog cord (not supplied).

2 Turn down the volume.

Press VOLUME − [**10**].

3 Select the AUDIO IN function.

Press AUDIO IN FUNCTION [**1**] on the remote or press FUNCTION [**1**] on the unit repeatedly. The function indicator lights in amber.

4 Start playback.

Start playback of the connected component and adjust the volume.

If the sound source is set to an FM/AM station for a timer, the system automatically turns on 15 seconds before the preset time. If the sound source is set to CD/USB, the system automatically turns on 90 seconds before the preset time. If the sound source is set to iPod/iPhone/iPad, the system automatically turns on 30 seconds before the preset time.

Adjusting the sound

To	Press
Adjust the volume	VOLUME +/- [10] .
Generate a more dynamic sound	BASS BOOST [3] .
Set the sound effect	SOUND EFFECT [2] repeatedly until desired sound effect is displayed.

To	Press
Change information on the display ¹⁾	DISPLAY [28] repeatedly when the system is on.
Change Display mode (see below.)	DISPLAY [28] repeatedly when the system is off. ²⁾

¹⁾ For example, you can view CD/MP3 disc information or the USB device information, such as:

- CD-DA disc**
 - remaining playing time of a track during playback
 - total remaining playing time
- MP3 disc/USB device**
 - track or file name (“♪”^{*)})
 - artist name (“♪”^{*)})
 - album name (“♪”^{*)})

²⁾The STANDBY indicator [**14**] on the unit lights up when the system is off.

To	Press
Change information on the display ¹⁾	DISPLAY [28] repeatedly when the system is on.
Change Display mode (see below.)	DISPLAY [28] repeatedly when the system is off. ²⁾

To	Press
Change information on the display ¹⁾	DISPLAY [28] repeatedly when the system is on.
Change Display mode (see below.)	DISPLAY [28] repeatedly when the system is off. ²⁾

To	Press
Change information on the display ¹⁾	DISPLAY [28] repeatedly when the system is on.
Change Display mode (see below.)	DISPLAY [28] repeatedly when the system is off. ²⁾

The system offers the following display modes.

- Display mode**
 - When the system is off¹⁾
- Power Saving mode**²⁾
 - The display is turned off to conserve power. The timer and clock continue to operate.

Clock ³⁾	The clock is displayed.
---------------------	-------------------------

¹⁾The STANDBY indicator [**14**] on the unit lights up when the system is off.
²⁾You cannot set the clock in Power Saving mode.
³⁾The clock display automatically turns to Power Saving mode after 8 seconds.

Notes on the display information

- Characters that cannot be displayed appear as “.”
- The following are not displayed:
 - total playing time for an MP3 disc and a USB device.
 - total remaining playing time for an MP3 disc and a USB device.
 - remaining playing time for an MP3/WMA/AAC file.
- The following are not displayed correctly:
 - elapsed playing time of an MP3 file encoded using VBR (variable bit rate).
 - folder and file names that do not follow either the ISO9660 Level 1, Level 2 or Joliet in the expansion format.
- The following are displayed:
 - total playing time for a CD-DA disc (except when PGM mode is selected and the player is stopped).
 - remaining playing time for a track of CD-DA disc.
 - remaining playing time for a CD-DA disc (only when Normal Play mode is selected during playback).
 - ID3 tag information for MP3 files when ID3 version 1 and version 2 tags are used (ID3 version 2 tag information display has priority when both ID3 version 1 and version 2 tags are used for a single MP3 file).
 - up to 64 characters for an ID3 tag, where characters allowed are uppercase letters (A to Z), numbers (0 to 9), and symbols (“ % ‘ () * + , - . / < > @ [\] ^ _ ` { } | ? ! , & ”)

Using the timers

The system offers 2 timer functions. If you use both timers, the Sleep Timer has priority.

Sleep Timer:
You can fall asleep to music. This function works even if the clock is not set. Press and hold SHIFT [**24**] and press SLEEP [**3**] repeatedly. With each press of SLEEP [**3**] with SHIFT [**24**] held pressed, the setting time is decreased by 10 minutes, from a maximum of 90 minutes to minimum of 10 minutes. To cancel the Sleep Timer, select “OFF”

Play Timer:

You can wake up to CD, FM/AM reception, iPod/iPhone/iPad or USB device at a preset time. Make sure you have set the clock.

- Prepare the sound source. Prepare the sound source, and then press VOLUME +/- [**10**] to adjust the volume. To start from a specific CD track, audio file, and radio station create your own program.
- Select the timer set mode. Press and hold SHIFT [**24**] and TIMER MENU [**2**].
- Set the play timer. Press ▲/▼ [**26**] repeatedly to select “PLAY SET,” then press ⊖ [**22**].
- Set the time to start playback. Press ▲/▼ [**26**] repeatedly to set the hour, then press ⊖ [**22**]. Use the procedure above to set the minutes.
- Use the same procedure as in step 4 to set the time to stop playback.
- Select the sound source. Press ▲/▼ [**26**] repeatedly until the desired sound source appears, then press ⊖ [**22**].
- Turn off the system. Press I/⏻ [**13**]. The system automatically turns on before the preset time. If the system is on at the preset time, the Play Timer will not play. Do not operate the system from the time the system turns on until the playback starts.

If the sound source is set to an FM/AM station for a timer, the system automatically turns on 15 seconds before the preset time. If the sound source is set to CD/USB, the system automatically turns on 90 seconds before the preset time. If the sound source is set to iPod/iPhone/iPad, the system automatically turns on 30 seconds before the preset time.

To check the setting

- Press and hold SHIFT [**24**] and TIMER MENU [**2**].
- Press ▲/▼ [**26**] repeatedly to select “SELECT,” and then press ⊖ [**22**].
- Press ▲/▼ [**26**] repeatedly to select “PLAY SEL,” and then press ⊖ [**22**].

To cancel the timer

Repeat the same procedure as above until “OFF” appears in step 3, and then press ⊖ [**22**].

To change the setting

Start over from step 1.

Notes

- If you select a USB device as a timer and have many files or folders on that device, it takes time for read processing, causing a slight delay before start of play in response to the timer.
- When the sound source for a Play Timer is set to an FM/AM station tuned from a preset radio station, the radio station tuning for the Play Timer is fixed at what you set for it. Even if you change the radio station after setting the Play timer, the radio station setting for the Play Timer will not change.
- When the sound source for a Play Timer is set to an FM/AM station that you set using auto tuning or manual tuning, if you change the radio station after setting the Play Timer, the radio station setting for the Play Timer also will be changed.

Notes for the iPod/iPhone/iPad user

- Make sure the iPod/iPhone/iPad is not playing when using the Play Timer.
- The Play Timer may not be activated depending on the status of the connected iPod/iPhone/iPad.

Tip

The Play Timer setting remains as long as the setting is not cancelled manually.

Troubleshooting

- Make sure the power cord is firmly connected.
- Find your problem in the checklist below, and take the indicated corrective action.
 - If the issue persists, contact your nearest Sony dealer.

If the STANDBY indicator flashes

Immediately unplug the power cord, and check the following items.

- Is anything blocking the ventilation holes of the system?
- Is the iPod/iPhone/iPad connector [**17**] short-circuited? After the STANDBY indicator [**14**] stops flashing, reconnect the power cord, and turn on the system. If the issue persists, contact your nearest Sony dealer.

General

The system does not turn on.

- Is the power cord plugged in correctly?

The system has entered Standby mode unexpectedly.

- This is not a malfunction. The system enters Standby mode automatically in about 30 minutes when there is no operation or audio signal output. See “To turn off the Automatic Standby function.”

The clock setting or the Play Timer operation has been cancelled unexpectedly.

- If about a minute elapses with no operation, the clock setting or Play Timer setting is cancelled automatically. Perform the operation again from the beginning.

There is no sound.

- Press VOLUME + [**10**] to turn up the volume.
- Make sure the headphone is not connected to the Ⓕ (phone) jack [**A**].
- Make sure additional audio components are connected correctly.
- Make sure the function is set to AUDIO IN.
- Is anything blocking the ventilation holes of the system?
- The specified station may have temporarily stopped broadcast.

- Severe hum or noise.
 - Move the system away from sources of noise.
 - Connect the system to a different wall outlet.
 - Install a noise filter (not supplied) to the power cord.

The remote does not function.

- Remove any obstacles between the remote and the remote sensor [**16**] on the unit, and position the unit away from fluorescent lights.
- Point the remote at the system’s sensor [**16**].
- Move the remote closer to the system.

The STANDBY indicator [14**] remains lit after unplugging the power cord.**

- The STANDBY indicator [**14**] may not turn off immediately after unplugging the power cord. The indicator will turn off after about 40 seconds. This is not a malfunction.

CD/MP3 disc

The system does not eject the disc and “LOCKED” appears.

- Consult your nearest Sony dealer or local authorized Sony service facility.

The disc cannot be inserted.

- Check that the system is turned on.

•Do not insert a disc into the disc slot until “NO DISC” appears in the display.

- A disc that has not been finalized (a disc to which data can be added).

The sound skips, or the disc will not play.

- Wipe the disc clean, and replace it.
- Move the system to a location away from vibration (for example, on top of a stable stand).

Play does not start from the first track.

- Return to normal play by pressing PLAY MODE [**20**] repeatedly until both “PGM” and “SHUF” disappear.

Starting playback takes more time than usual.

- The following discs can increase the time it takes to start playback:
 - a disc recorded with a complicated tree structure.
 - a disc that has many folders.

Erroneous display.

- The data stored in the CD-DA, MP3 disc may have been corrupted, perform the transferring again.
- The character code that can be displayed by this system are as follows:
 - Upper cases (A to Z).
 - Numbers (0 to 9).
 - Symbols (< > * +, [] \ _).
 - Other characters appear as “.”

iPod/iPhone/iPad

There is no sound.

- MP3 files in MP3 PRO format cannot be played back.
- Some AAC files may not be played back correctly.
- An AAC file which has video stream cannot be played back.
- WMA files in Windows Media Audio Lossless and Professional format cannot be played back.
- USB device formatted with file systems other than FAT16 or FAT32 are unsupported.*
- In case multiple partitions exist in USB device that is being used, files may not be played back.
- The system can play back to a depth of 8 folders only.
- Files that are encrypted or protected by passwords, etc. cannot be played back.
- Files with copyright protection (Digital Rights Management) cannot be played back by this system.