

Subwoofer

Instructions

GB

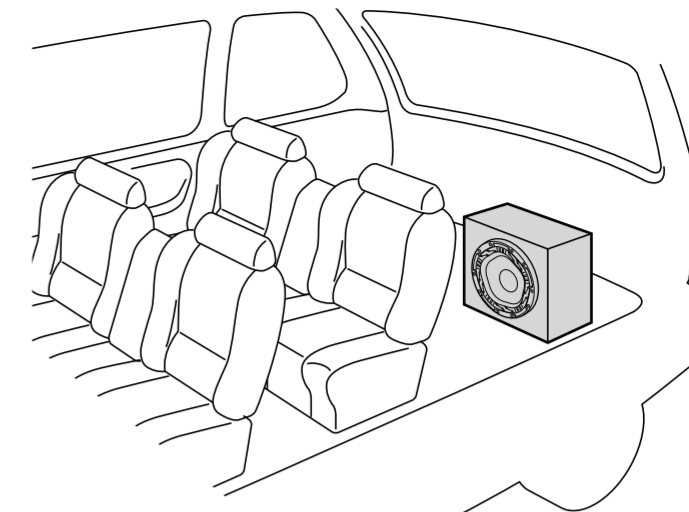
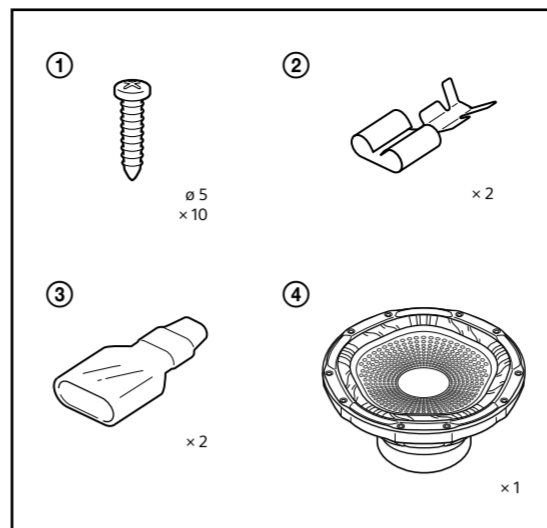
Installation

Parts list

Example

Precautions

- Do not continuously use the speaker system beyond its short-term maximum power handling capacity.
- Keep recorded tapes, watches, credit cards, etc. with magnetic coding away from the speaker system to prevent damage caused by the magnets in the speakers.
- When installing the unit, be careful not to damage the diaphragm of the driver.
- The subwoofer is heavy, so attach it firmly to a solid baffle plate or metal board.
- Make a wooden woofer box, of at least 19 mm (3/4 in) thickness.

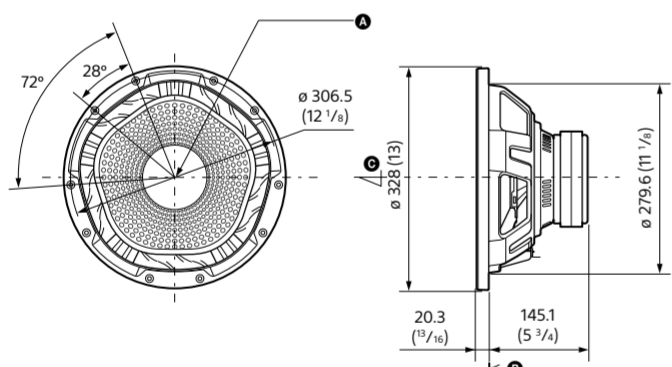


©2013 Sony Corporation Printed in Vietnam

XS-NW12002

Dimensions

Unit: mm (in)



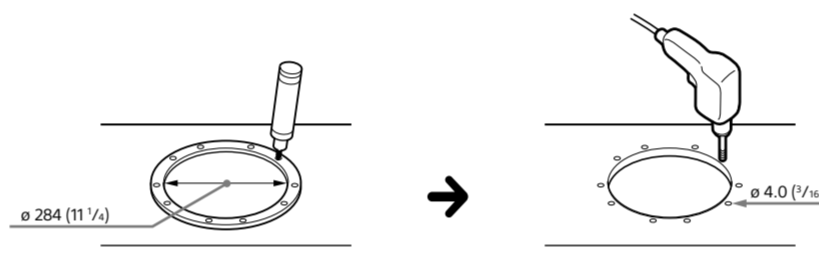
Reference Point

Reference Plane

Reference Axis

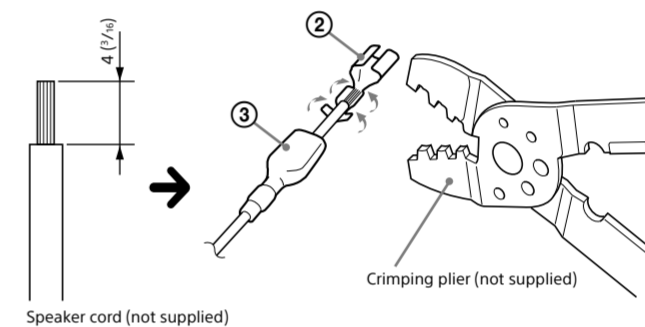
1

Unit: mm (in)



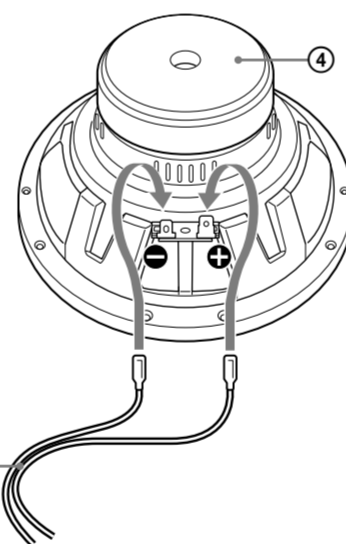
2

Unit: mm (in)

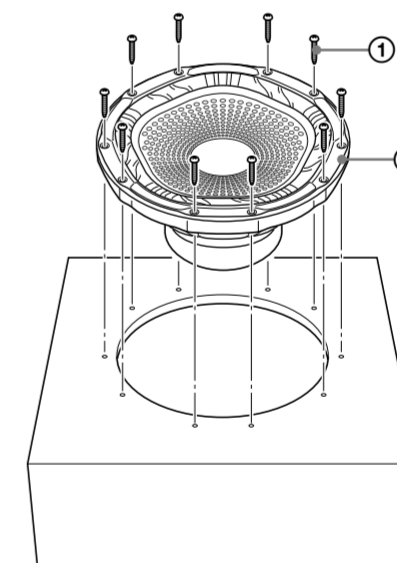


3

Speaker cord (not supplied)



4



Specifications

Speaker	Woofer 30 cm (12 in), cone type
Short-term maximum power*1	1,800 W*2
Rated power	300 W*2
CEA 2031 RMS Power	420 W
Rated impedance	4 Ω
Output sound pressure level	86±2 dB (1 W, 1 m)*2
In-car output sound pressure level	94 dB (1 W, @driver's seat)*3
Effective frequency range	30 - 1,000 Hz*2
Mass	Approx. 5.2 kg (11 lb 8 oz) per speaker
Supplied accessory	Parts for installation

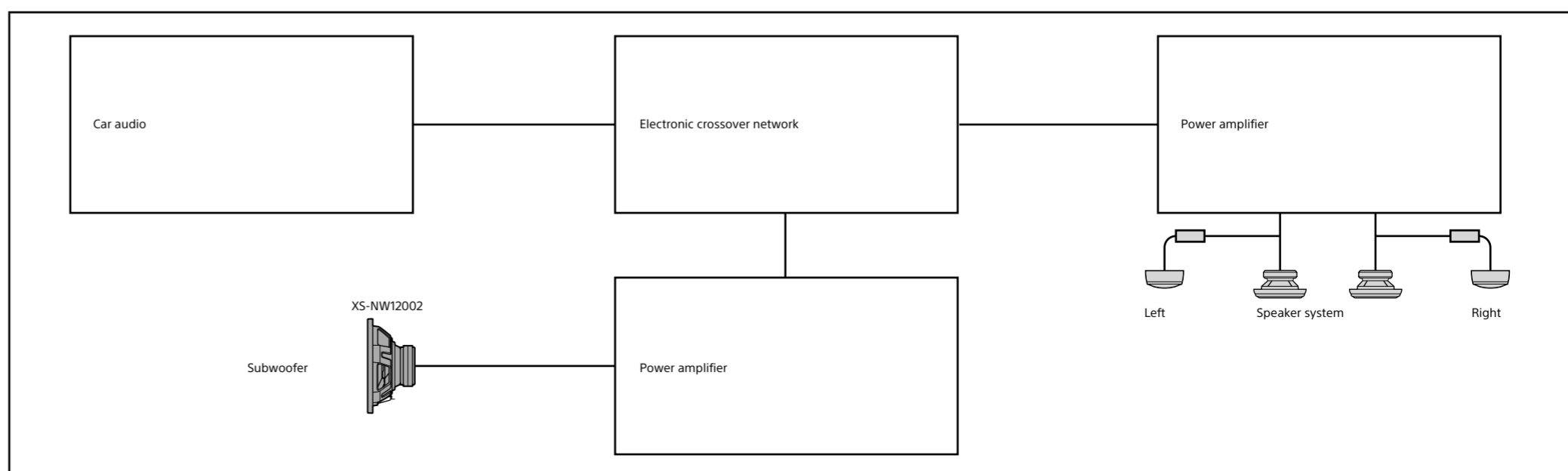
Design and specifications are subject to change without notice.

*1 Short-term maximum power may also be referred to as "Peak Power".

*2 Testing Condition: IEC 60268-5 (2003-05)

*3 Testing Condition: Inside the car

Connections



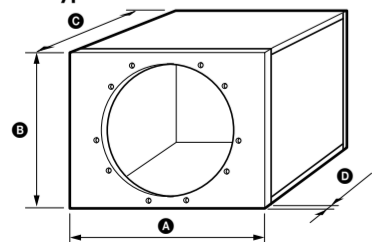
Thiele/Small parameters

	XS-NW12002
Rated impedance	4 Ω
d (mm)	250
d (inch)	9 7/8
Rdc (Ω)	3.49
Fs (Hz)	31
Qts	0.684
Qes	0.808
Qms	4.45
Vas (Lit.)	58.49
Mms (g)	176.59
Lvc (mH)	1.96
Xmax (mm)	7.78
Xmax (inch)	5/16
BL (Tm)	12.2
Enclosure vol. (Net)	24.53 Lit. (0.87 cu.ft)

Recommended Enclosure: Sealed type

Enclosure design information

Sealed Type



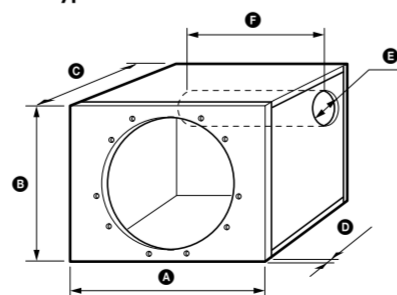
Unit: mm (in)

	A	B	C	D
XS-NW12002	430 (17)	370 (14 5/8)	270 (10 3/4)	19 (3/4)

	Enclosure Volume (Net)*
XS-NW12002	24.53 Lit. (0.87 cu.ft)

* Net volumes do not include the air volume displaced by the speaker.

Ported Type



Unit: mm (in)

	A	B	C	D	E	F
XS-NW12002	480 (19)	370 (14 5/8)	280 (11 1/8)	19 (3/4)	Ø 76 (3)	170 (6 3/4)

	Enclosure Volume (Net)*
XS-NW12002	29.85 Lit. (1.05 cu.ft)

* Net volumes do not include the air volume displaced by the speaker and port. This port should be a solid, not a hollow object.