



Multimedia Speaker System

Operating Instructions

<http://www.sony.net/>

©2014 Sony Corporation Printed in China

SA-D100

WARNING

To reduce the risk of fire or electric shock, do not expose this appliance to dripping or splashing, and do not place objects filled with liquids, such as vases, on the appliance. To reduce the risk of fire, do not cover the ventilation opening of the appliance with newspapers, tablecloths, curtains, etc. Do not expose the appliance to naked flame sources (for example, lighted candles). As the main plug is used to disconnect the unit from the mains, connect the unit to an easily accessible AC outlet. Should you notice an abnormality in the unit, disconnect the main plug from the AC outlet immediately. Do not install the appliance in a confined space, such as a bookcase or built-in cabinet. Do not expose batteries or appliances with battery-installed to excessive heat, such as sunshine and fire. To prevent injury, this apparatus must be securely attached to the floor/wall in accordance with the installation instructions. The unit is not disconnected from the mains as long as it is connected to the AC outlet, even if the unit itself has been turned off.

Disposal of Old Electrical & Electronic Equipment (Applicable in the European Union and other European countries with separate collection systems)

License and Trademark Notice

- MPEG Layer-3 audio coding technology and patents licensed from Fraunhofer IIS and Thomson.
- Windows Media is either a registered trademark or trademark of Microsoft Corporation in the United States and/or other countries.
- This product contains technology subject to certain intellectual property rights of Microsoft. Use or distribution of this technology outside of this product is prohibited without the appropriate license(s) from Microsoft.
- The BLUETOOTH® word mark and logos are registered trademarks owned by BLUETOOTH SIG, Inc. and any use of such marks by Sony Corporation is under license. Other trademarks and trade names are those of their respective owners.
- The N Mark is a trademark or registered trademark of NFC Forum, Inc. in the United States and in other countries.
- Android™ is a trademark of Google Inc.

Precautions

- On safety**
- Completely disconnect the power cord (mains lead) from the wall outlet (mains) if it is not going to be used for an extended period of time. When unplugging the system, always grip the plug. Never pull the cord itself.
 - Should any solid object or liquid get into the system, unplug the system, and have it checked by qualified personnel before operating it again.
 - The AC power cord can be changed only by a qualified service facility.
- On operation**
- Do not drive the speaker system with a continuous wattage exceeding the maximum input power of the system.
 - If the polarity of the speaker connections is not correct, the bass tones will be weak and the position of the various instruments obscure.
 - Before connecting, turn off the amplifier (subwoofer) to avoid damaging the speaker system.
 - The speaker grille cannot be removed. Do not attempt to remove the grille on the speaker system. If you try to remove it, you may damage the speaker.
 - The volume level should not be turned up to the point of distortion.
- On placement**
- Do not set the speakers in an inclined position.
 - Do not place the speakers in locations that are:
 - Extremely hot or cold
 - Dusty or dirty
 - Very humid
 - Subject to vibrations
 - Subject to direct sunlight
 - Use caution when placing the speaker on a specially treated (waxed, oiled, polished, etc.) floor, as staining or discoloration may result.
 - If you install the system with its back against a wall, position it at least 10 cm away from the wall so as not to block the ventilation slots and prevent heat release.
- On cleaning**
- Clean the speaker cabinets with a soft cloth lightly moistened with a mild detergent solution or water. Do not use any type of abrasive pad, scouring powder, or solvent such as alcohol or benzine.
- On your TV's color**
- If the speakers should cause your TV screen to have color irregularity, turn off the TV then turn it on after 15 to 30 minutes. If color irregularity should persist, place the speakers further away from your TV set.

BLUETOOTH wireless technology

BLUETOOTH wireless technology is a short-range wireless technology linking digital devices, such as personal computers and digital cameras. Using the BLUETOOTH wireless technology, you can operate the units involved within a range of about 10 meters. The BLUETOOTH wireless technology is commonly used between two devices, but a single device can be connected to multiple devices. You do not need wires to get connected as you do with a USB connection, and you do not need to place the devices face to face as you do with wireless infrared technology. You can use the technology with one BLUETOOTH device in your bag or pocket. BLUETOOTH wireless technology is a global standard supported by thousands of companies. These companies produce products that meet the global standard.

Supported BLUETOOTH version and profiles

Profile refers to a standard set of capabilities for various BLUETOOTH product capabilities. The system supports the following BLUETOOTH version and profiles. Supported BLUETOOTH version: BLUETOOTH Standard version 4.0 Supported BLUETOOTH profiles: A2DP (Advanced Audio Distribution Profile)

Notes

- For you to use the BLUETOOTH function, the BLUETOOTH device to be connected must support the same profile as the system. Even if the device supports the same profile, the functions may differ because of the specifications of the BLUETOOTH device.
- The audio playback on the system may be delayed from that on the BLUETOOTH device because of the characteristics of the BLUETOOTH wireless technology.

Effective communication range

BLUETOOTH devices should be used within approximately 10 meters (unobstructed distance) of each other. The effective communication range may become shorter under the following conditions.

- When a person, metal object, wall or other obstruction is between the devices with a BLUETOOTH connection
- Locations where a wireless LAN is installed
- Around microwave ovens that are in use
- Locations where other electromagnetic waves occur

Effects of other devices

BLUETOOTH devices and wireless LAN (IEEE 802.11b/g) use the same frequency band (2.4 GHz). When using your BLUETOOTH device near a device with wireless LAN capability, electromagnetic interference may occur. This could result in lower data transfer rates, noise, or inability to connect. If this happens, try the following remedies:

- Try connecting the system and BLUETOOTH mobile phone or BLUETOOTH device when you are at least 10 meters away from the wireless LAN equipment.
- Turn off the power to the wireless LAN equipment when using your BLUETOOTH device within 10 meters.

Effects on other devices

The radio waves broadcast by the system may interfere with the operation of some medical devices. Since this interference may result in malfunction, always turn off the power on the system, BLUETOOTH mobile phone and BLUETOOTH device in the following locations:

- In hospitals, on trains, in airplanes, at gas stations, and any place where flammable gasses may be present
- Near automatic doors or fire alarms

Notes

- The system supports security functions that comply with the BLUETOOTH specification as a means of ensuring security during communication using BLUETOOTH technology. However, this security may be insufficient depending on the setting contents and other factors, so always be careful when performing communication using BLUETOOTH technology.
- Sony cannot be held liable in any way for damages or other loss resulting from information leaks during communication using BLUETOOTH technology.
- BLUETOOTH communication is not necessarily guaranteed with all BLUETOOTH devices that have the same profile as the system.
- BLUETOOTH devices connected with the system must comply with the BLUETOOTH specification prescribed by the BLUETOOTH SIG, Inc., and must be certified to comply. However, even when a device complies with the BLUETOOTH specification, there may be cases where the characteristics or specifications of the BLUETOOTH device make it impossible to connect, or may result in different control methods, display or operation.
- Noise may occur or the audio may cut off depending on the BLUETOOTH device connected with the system, the communications environment, or surrounding conditions.

Specifications

Satellite speakers

Speaker System Full range, Bass reflex
Speaker units 80 mm cone type
Rated impedance 10 ohms
Dimensions (approx.) 106 mm x 188 mm x 96 mm (w/h/d)
Mass (approx.) 0.5 kg

Subwoofer

Speaker System Active subwoofer, Bass reflex
Speaker units 180 mm cone type
Rated impedance 3 ohms
Dimensions (approx.) 260 mm x 365 mm x 365 mm (w/h/d)
Mass (approx.) 6.1 kg

Inputs

DVD Pin Jack (L/R) x 1
TV Stereo mini jack x 1
↔ (USB) port Type A

Amplifier section

Satellite speakers
Power output (rated): 20 W + 20 W (at 10 + 10 ohms, 1 kHz, 1% THD)
RMS output power (reference): 28 W + 28 W (at 10 + 10 ohms, 1 kHz, 10% THD)
Subwoofer
RMS output power (reference): 44 W (at 3 ohms, 100 Hz, 10% THD)

USB section

Supported bit rate
MP3 (MPEG 1 Audio Layer-3): 32 kbps – 320 kbps, VBR
WMA: 48 kbps – 192 kbps
AAC: 48 kbps – 320 kbps
Sampling frequencies
MP3 (MPEG 1 Audio Layer-3): 32 kHz/44.1 kHz/48 kHz
WMA: 44.1 kHz
AAC: 44.1 kHz
Transfer speed Full-Speed
Supported USB device Mass Storage Class
Maximum current 500 mA

BLUETOOTH section

Communication system BLUETOOTH Specification version 4.0
Output BLUETOOTH Specification Power Class 2
Maximum communication range Line of sight approx. 10 m*1
Frequency band 2.4 GHz band (2.4000 GHz - 2.4835 GHz)
Modulation method FHSS (Freq Hopping Spread Spectrum)
Compatible BLUETOOTH profiles*2 A2DP (Advanced Audio Distribution Profile)
Supported Codecs*3 SBC*4
Transmission range (A2DP) 20 Hz - 20,000 Hz (Sampling frequency 44.1 kHz)

*1 The actual range will vary depending on factors such as obstacles between devices, magnetic fields around a microwave oven, static electricity, cordless phone, reception sensitivity, operating system, software application, etc.
*2 BLUETOOTH standard profiles indicate the purpose of BLUETOOTH communication between devices.
*3 Codec: Audio signal compression and conversion format
*4 Subband Codec

General
Power requirements: DC 20 V 1.0 A (supplied AC power adaptor)
AC power adaptor Input: 100 V – 240 V AC, 50/60 Hz Output: DC 20 V 3 A
Power consumption: 20 W

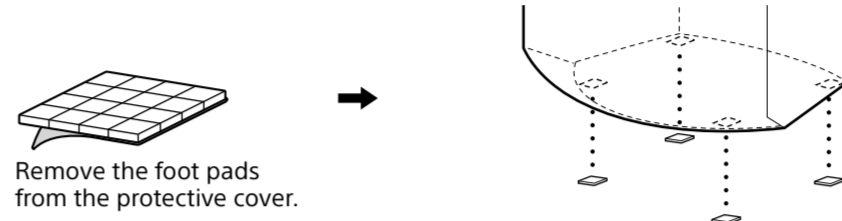
Design and specifications are subject to change without notice.

Unpacking

- Satellite speakers (4)
- Subwoofer (1)
- Stereo mini plug cord (1)
- R03 (size AAA) batteries (2)
- Remote commander (remote) (1)
- Foot pads (1 set)
- AC power adaptor (1)
- Power cord (1)

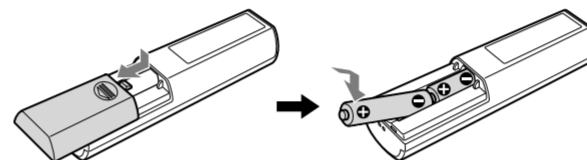
Attaching the foot pads to the satellite speakers

Attach the foot pads (supplied) to the bottom of the speakers to stabilize the speakers and prevent them from slipping.



Inserting the batteries into the remote

Insert two R03 (size AAA) batteries (supplied) by matching the ⊕ and ⊖ ends on the batteries to the marking inside the compartment. To use the remote, point it at the remote sensor on the subwoofer.



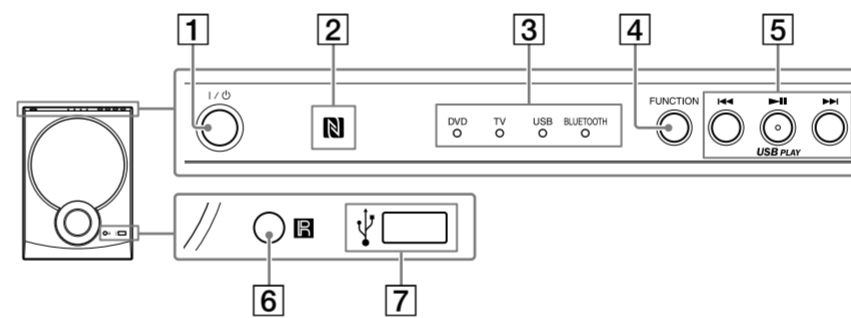
Notes

- Do not leave the remote in an extremely hot or humid place.
- Do not use a new battery with an old one.
- Do not drop any foreign object into the remote casing, particularly when replacing the batteries.
- Do not expose the remote sensor to direct light from the sun or lighting apparatus. Doing so may cause a malfunction.
- If you do not intend to use the remote for an extended period of time, remove the batteries to avoid possible damage from battery leakage and corrosion.

Index to parts and controls

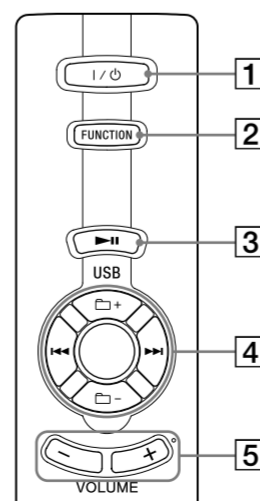
Subwoofer

Front panel indicators



- 1 I/O (on/standby) button**
Turns on the system, or sets it to standby mode.
- 2 N mark**
- 3 FUNCTION indicators**
DVD
TV
USB
BLUETOOTH
Lights up in green when the function is selected. (BLUETOOTH function: lights up or blinks in blue.) When the system turns on, the indicator of the function that was set last time lights up.
- 4 FUNCTION button**
Selects an input source.
- 5 USB PLAYBACK buttons**
▶|| (play/pause)/ USB PLAY indicator
◀◀ (rewind/skip back)
▶▶ (fast forward/skip forward)
- 6 □ (remote sensor)**
- 7 ↔ (USB) port**

Remote commander (remote)



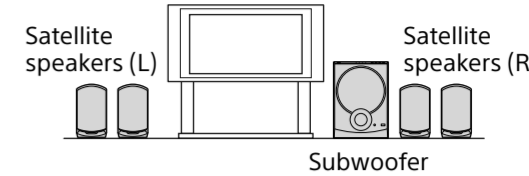
- 1 I/O (on/standby)**
Turns on the system, or sets it to standby mode.
- 2 FUNCTION**
Selects an input source.
- 3 ▶|| (play/pause)**
Starts/Pauses playback on a USB device.
- 4 ◀◀ (rewind/skip back)/▶▶ (fast forward/skip forward), □ +/-**
Selects files/folders on a USB device.
- 5 VOLUME +/-**
Adjusts the volume.

There is a tactile dot to the right of the VOLUME + button. Use the tactile dot as a reference when operating the remote.

Set Up

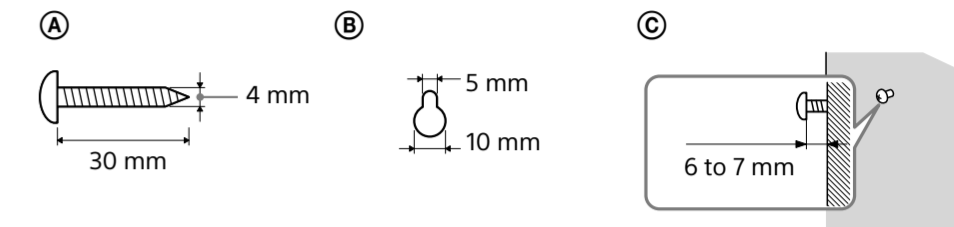
Step 1: Positioning the speakers

Place all speakers and subwoofer anywhere you like to in the room. Wherever the speakers are placed, you will be able to achieve the best possible sound from them.



To install the speakers on a wall

Prepare screws (Ⓐ) (not supplied) that are suitable for the hole on the back of each speaker (Ⓑ). Then, fasten the screws to the wall (Ⓒ). You can hang the speakers on the screws.

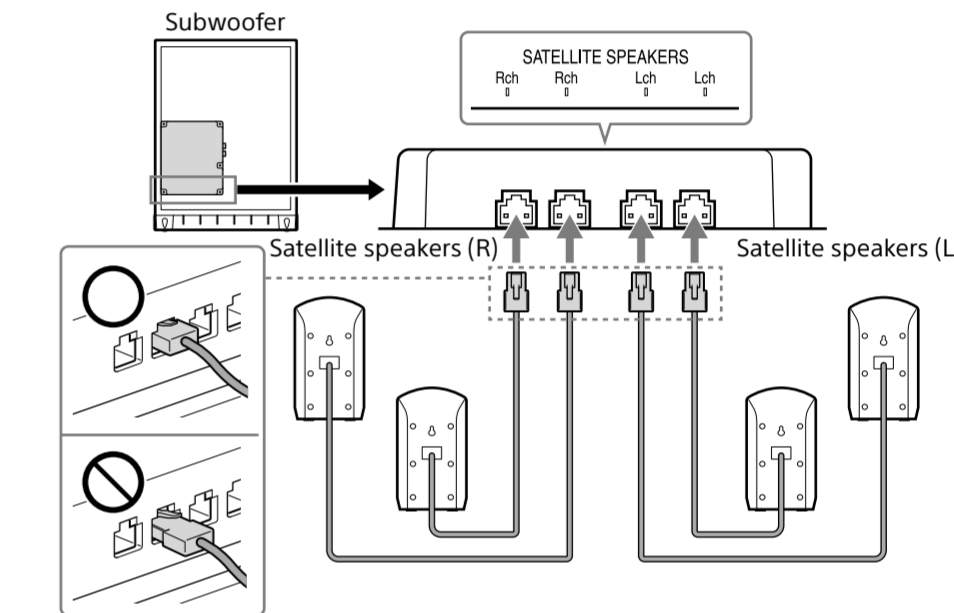


Caution

- Sony is not responsible for accidents or damage caused by improper installation, insufficient wall strength or improper screw installation, natural calamity, etc.

Step 2: Connecting the speakers

Be sure to match the speaker cords to the appropriate terminals on the subwoofer as below.

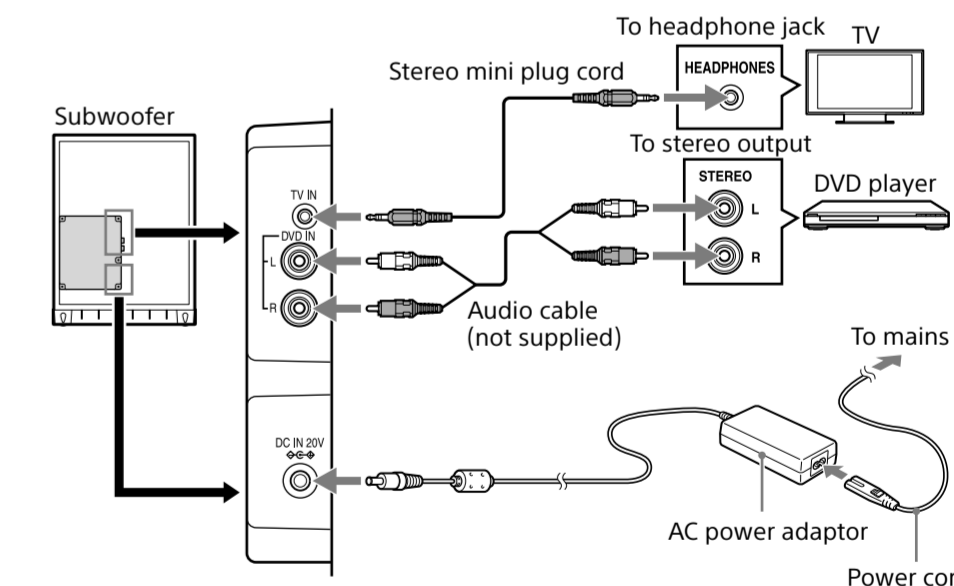


Note

- When you connect another component with a volume control, turn down the volume of the other components to a level where sound is not distorted.

Step 3: Connecting the system to your TV, DVD player, and the mains

Before connecting the system to the mains, connect it to your TV and DVD player first.



- 1 Connect the system to your TV and DVD player as in the illustration above.**
- 2 Connect the power cord to the AC power adaptor. Then connect the AC power adaptor to the system.**
- 3 Connect the AC power adaptor to the mains.**
The subwoofer enters standby mode.

Caution

- Do not use an AC power adaptor other than the one supplied with this system.

Step 4: Turning the system on

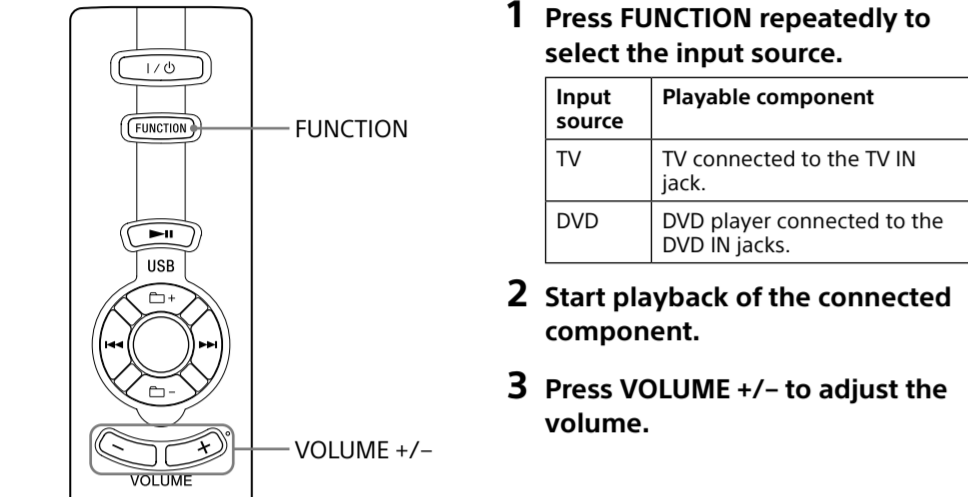


- 1 Press **I/O** on the subwoofer or remote. The subwoofer turns on.

Listening to input sources

Step 1: Listening to a TV and DVD

You can listen to a TV or DVD player connected to the system.



- 1 Press **FUNCTION** repeatedly to select the input source.

Input source	Playable component
TV	TV connected to the TV IN jack.
DVD	DVD player connected to the DVD IN jacks.

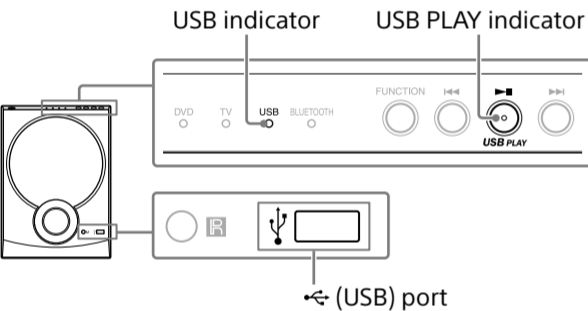
- 2 Start playback of the connected component.

- 3 Press **VOLUME +/-** to adjust the volume.

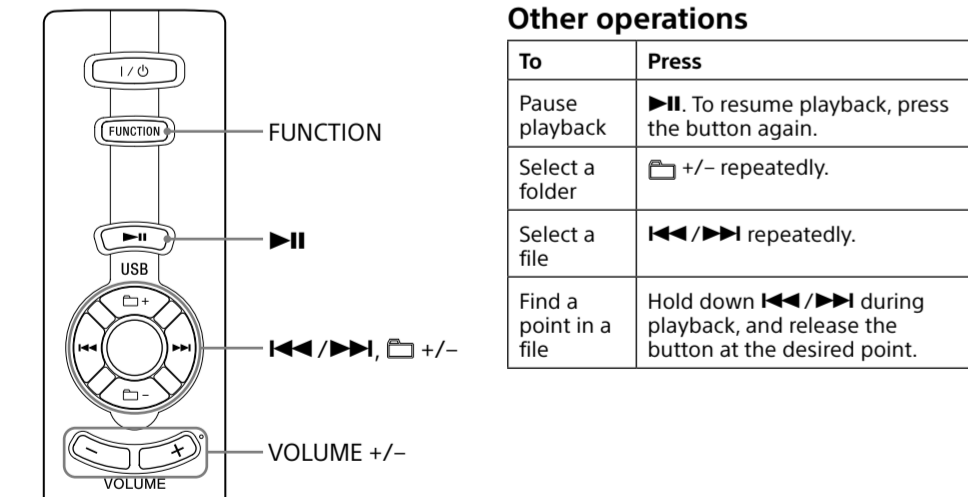
Step 2: Listening to a USB device

Check the website below for information about compatible USB devices:
<http://www.sony-asia.com/support>

By connecting a USB device (containing music files copied from your computer), you can play music files through this system. This system will play back MP3, WMA and AAC files. Make sure that the system is turned off before you connect a USB device.



- 1 Connect a USB device to the **(USB) port** of the subwoofer. Connect the USB device before turning on the system.
- 2 Turn on the system and press **FUNCTION** repeatedly to select the USB function. The USB indicator lights up in green.
- 3 Press **▶II**. Playback starts and the USB PLAY indicator lights up in green.
- 4 Press **VOLUME +/-** to adjust the volume.



Other operations

To	Press
Pause playback	▶II . To resume playback, press the button again.
Select a folder	☰ +/- repeatedly.
Select a file	◀◀/▶▶ repeatedly.
Find a point in a file	Hold down ◀◀/▶▶ during playback, and release the button at the desired point.

Notes

- When USB cable connection is necessary, connect the USB cable supplied with the USB device to be connected. See the operation manual supplied with the USB device to be connected for details on the operation method.
- Do not connect the system and the USB device through a USB hub.
- When the USB device is inserted, the system reads all the files on the USB device. If there are many folders or files on the USB device, it may take a long time to finish reading the USB device.
- With some connected USB devices, after an operation is performed, there may be a delay before it is performed by this system.
- Compatibility with all encoding/writing software cannot be guaranteed. If audio files on the USB device were originally encoded with incompatible software, those files may produce noise or interrupted sound, or may not be played back at all.
- This system cannot play audio files on the USB device in the following cases:
 - when the total number of audio files in a folder exceeds 256.
 - when the total number of folders on a USB device exceeds 256 (including the "ROOT" folder and empty folders).
- These numbers may vary depending on the file and folder structure. Do not save other types of files or unnecessary folders on a USB device that has audio files.
- The system can play back to a depth of eight folders only.
- This system does not necessarily support all the functions provided in a connected USB device.
- Folders that have no audio files are skipped.
- This system is designed for playback of the following audio formats.

- MP3: file extension ".mp3"
- WMA: file extension ".wma"
- AAC: file extension ".m4a"

- Note that even when file name has the correct file extension, if the actual file differs, the system may produce noise or may malfunction.

Using the BLUETOOTH function

You can listen to music from your BLUETOOTH mobile phone or BLUETOOTH device over a wireless connection. The system supports the BLUETOOTH A2DP profiles. For details on BLUETOOTH wireless technology, see "BLUETOOTH wireless technology."

About the indicator for BLUETOOTH

The BLUETOOTH indicator on the front panel lights up or blinks in blue to show the system status.

System status	Indicator
The system is pairing/waiting for pairing.	Blinks
The system is connecting with a BLUETOOTH device.	Lights up
The system has established connection with a BLUETOOTH device.	Turns off

Notes

- For details on operation of the connected devices, refer to the operating instructions supplied with the devices.
- The BLUETOOTH devices to be connected must support A2DP (Advanced Audio Distribution Profile).

About pairing

Pairing is an operation where BLUETOOTH devices are registered with each other beforehand. Use the procedure below to pair the system with your BLUETOOTH device. If your BLUETOOTH device supports NFC (Near Field Communication), skip the procedure "Pairing the system with a BLUETOOTH device" and see "One-touch connection with a smartphone (NFC)."

- Once a pairing operation is performed, it does not have to be performed again. However, in the following cases, you will have to perform pairing again:
 - Pairing information is deleted as a result of repairing the system.
 - The system can be paired with up to eight devices. If a further device is paired, the pairing information of the device with the oldest connection date is overwritten with new information.
 - The connection history with the system is deleted on the connected device.
 - All the connection history of the system is deleted.

About NFC

NFC (Near Field Communication) is a technology enabling short-range wireless communication between various devices, such as mobile phones and IC tags. Thanks to the NFC function, data communication can be achieved easily just by touching the relevant symbol or designated location on NFC compatible devices.

Compatible smartphones

Smartphones with the NFC function built-in (OS: Android 2.3.3 or later, excluding Android 3.x.)

Step 1: Pairing and connecting the system with a BLUETOOTH device

Pairing the system with a BLUETOOTH device

Place the system and the BLUETOOTH device within 1 metre of each other.

- 1 Select the **BLUETOOTH** function by pressing **FUNCTION** repeatedly. The BLUETOOTH indicator of the system blinks and the system is ready for pairing.
- 2 Set the **BLUETOOTH** device to pairing mode. For details on setting the BLUETOOTH device to pairing mode, refer to the operating instructions supplied with the device.
- 3 Select **"SONY: SA-D100"** on the BLUETOOTH device display. The BLUETOOTH indicator of the system blinks and the system starts to connect. On some BLUETOOTH devices, the list may not be displayed. If a Passkey is requested, enter "0000." Perform this step within five minutes, otherwise pairing will be cancelled.
- 4 Once pairing is completed, the device and the system are connected automatically. When the connection is established, the system enters playback mode, the BLUETOOTH indicator of the system lights up, and the information of the paired device is stored in the system.

Notes

- Use a BLUETOOTH device such as a BLUETOOTH mobile phone in an easily visible place in the same room where the main unit is placed.
- If Wi-Fi equipment is used, BLUETOOTH communication may become unstable. In that case, use the BLUETOOTH device as close as possible to the main unit.
- Sound may be interrupted because of a problem with the BLUETOOTH device.
- "Passkey" may be called "Passcode," "PIN code," "PIN number" or "Password," etc., depending on the device.
- The pairing standby status of the system is cancelled after about five minutes, and the indicator on the front panel blinks. If pairing is not successful, repeat the procedure from step 2.

One-touch connection with a smartphone (NFC)

By touching the system with a smartphone, the system is paired and connected with the smartphone via BLUETOOTH, and turns on automatically. Some smartphones already have a function similar to "NFC Easy Connect" in step 1 below. In that case, skip steps 1 and 3, and refer to the operating instructions supplied with your smartphone for details.

1 Download and install the app "NFC Easy Connect."

"NFC Easy Connect" is a free Android app you can download from Google Play. Download the app by searching for "NFC Easy Connect" or access it by using the following two-dimensional code. Fees may be charged for downloading the app. Use a two-dimensional code reader app.



Note

- Depending on your smartphone, you may not need to download "NFC Easy Connect" to connect the system with your smartphone by one touch. In that case, the operation and specifications may be different from the description here. For details, refer to the operating instructions supplied with your smartphone.

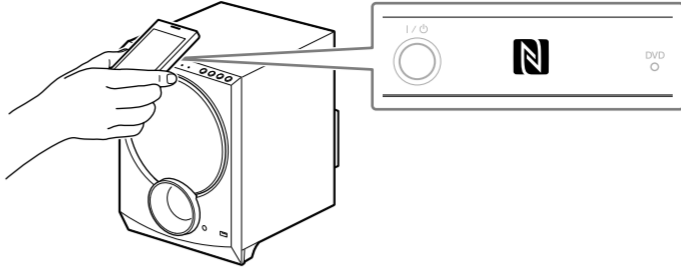
2 Turn on the system.

3 Start "NFC Easy Connect" on the smartphone.

Make sure that the application screen is displayed.

4 Touch the N mark on the front panel with the smartphone.

Keep touching the N mark of the system with the smartphone until the smartphone vibrates.



Establish connection by following the instructions on the screen. When the BLUETOOTH indicator stops blinking and lights up, the system is connected with the device. To disconnect the system, touch it with the smartphone again.

Tip

- If you cannot connect the system, try the following.
 - Start the app on the smartphone, and move the smartphone slowly over the N mark of the system.
 - If the smartphone is in a case, remove it from the case.

Note

- "NFC Easy Connect" may not be available in some countries or regions.

Step 2: Listening to music with the BLUETOOTH connection

The system supports SCMS-T content protection. You can listen to a BLUETOOTH device that supports SCMS-T content protection.

Before starting music playback operations, check the following:

- The BLUETOOTH function on the BLUETOOTH device is on.
- The pairing procedure is completed on both the system and BLUETOOTH device.

1 Select the BLUETOOTH function by pressing FUNCTION repeatedly.

The BLUETOOTH indicator blinks.

2 Start the BLUETOOTH connection from the BLUETOOTH device.

The BLUETOOTH indicator on the front panel lights up when the BLUETOOTH connection is established.

3 Start playback on the BLUETOOTH device.

4 Adjust the volume.

Set the volume of the BLUETOOTH device to a moderate level and press the VOL +/- buttons on the remote control to adjust the volume of the system.

Note

- If the source device has a bass boost function or equalizer function, turn them off. If these functions are on, sound may be distorted.
- In the following cases, you will have to make the BLUETOOTH connection again.
 - The power of the system does not turn on.
 - The power of the BLUETOOTH device does not turn on, or the BLUETOOTH function is off.
 - The BLUETOOTH connection is not established.
- If more than one device paired with the system is being played back, sound will be heard from just one of those devices.

Step 3: Finishing the BLUETOOTH connection

Terminate the BLUETOOTH connection by any of the operations listed below.

- Operate the BLUETOOTH device to terminate the connection. For details, refer to the operating instructions supplied with the device.
- Turn off the BLUETOOTH device.
- Turn off the system.
- Select any function except BLUETOOTH.

To delete all the pairing information

If the BLUETOOTH function is set, press and hold the **▶II** on the main unit for over two seconds and press VOLUME-. The pairing information will be deleted and the system will turn off automatically.

Troubleshooting

Should you encounter a problem with your speaker system, check the following list and take the indicated measures. If the problem persists, consult your nearest Sony dealer.

Sound

There is no sound from the speaker system.

- If the TV combines a headphone output as audio output, make sure the audio output setting of it is set for speaker. For details, refer to the operating instructions supplied with the TV.
- Check that the volume of the TV is not set to small or the mute.
- Make sure all the connections have been correctly made.
- Make sure the volume on the amplifier has been turned up properly.
- Make sure the correct input source has been selected.
- Make sure that the subwoofer is not in the standby mode.

There is distortion in the subwoofer sound output.

- Check if any sound-enhancing functions have been activated. If they have, turn them off.

There is hum or noise in the speaker output.

- Make sure all the connections have been correctly made.
- Make sure none of the audio components are positioned too close to the TV set.
- If the volume level of the subwoofer is turned up to maximum, extraneous noise may be output.

The sound has suddenly stopped.

- Make sure all the connections have been correctly made. Contact between bare speaker wires at the speaker terminals may cause a short circuit.
- Turn on the system again by pressing I/O.

Bass sounds are produced too heavily.

- Some material is recorded with strong emphasis on bass sounds, which may be excessive in some cases.

No sound is output from specific speakers.

- Check that the speaker cords are fully inserted into the terminals of the subwoofer.
- Turn on the system again by pressing I/O.

USB device

There is no sound from the USB device.

- The USB device is not connected correctly. Disconnect the USB device from the system, and then reconnect it.

There is noise, skipping, or distorted sound.

- Disconnect the USB device from the system, and then reconnect it.
- The music data itself contains noise, or the sound is distorted. Noise may have been entered when creating music data due to the conditions of the computer. Create the music data again.
- The bit rate used when encoding the files was low. Send files encoded with higher bit rates to the USB device.

It takes a long time for playback to start.

- The reading process can take a long time in the following cases.
 - There are many folders or files on the USB device.
 - The file structure is extremely complex.
 - The memory capacity is excessive.
 - The internal memory is fragmented.

The USB device is not recognized.

- Disconnect the USB device from the system, and then reconnect it.
- The USB PLAY indicator blinks twice if an incompatible USB device is connected. Visit the website listed under "Step 2: Listening to a USB device" in "Listening to input sources" for information about compatible USB devices.
- The USB PLAY indicator blinks four times if a USB device is connected through a USB hub. Always connect a USB device directly to the system.
- The USB device does not work properly. Refer to the USB device operation manual for how to deal with this problem.
- If the system detects an overcurrent in a connected USB device, all the indicators of the system blink. In this case, disconnect the system from the mains.

Playback does not start.

- Disconnect the USB device from the system, and then reconnect it.
- Press **▶II** to start playback.

Files cannot be played back.

- The audio file does not have the extension ".mp3," ".wma" or ".m4a."
- The data is not stored in MP3/WMA/AAC format.
- USB storage devices formatted with file systems other than FAT16 or FAT32 are unsupported.*
- If you use a partitioned USB storage device, only files on the first partition can be played.
- Files that are encrypted or protected by passwords, etc. cannot be played back.
- * This system supports FAT16 and FAT32, but some USB storage devices may not support all of these FAT. For details, see the operation manual of each USB storage device or contact the manufacturer.

BLUETOOTH

There is no sound from the BLUETOOTH device

- Make sure the system is not too far from the BLUETOOTH device, or the system is not receiving interference from a Wi-Fi network, other 2.4 GHz wireless device, or microwave oven.
- Check that the BLUETOOTH connection is made properly between the system and the BLUETOOTH device.
- Pair the system and the BLUETOOTH device again.
- Keep the system away from metal objects or surfaces.
- Make sure the system is in BLUETOOTH mode.

Sound skips or the transmission distance is short.

- If a device that generates electromagnetic radiation, such as a Wi-Fi network, other BLUETOOTH device(s), or a microwave oven is nearby, move away from such sources.
- Remove any obstacle between the system and BLUETOOTH device, or move away from the obstacle.
- Locate the system and BLUETOOTH device as close to each other as possible.
- Re-position the system.
- Re-position the BLUETOOTH device.

Connecting cannot be established.

- Perform pairing again.

Pairing cannot be completed.

- Bring the system and the BLUETOOTH device closer together.
- Delete the system from your BLUETOOTH device and perform pairing again.