

Personal Audio System

Sistema de audio personal

Reference Guide	GB
Guía de referencia	ES



SRS-X7

©2014 Sony Corporation Printed in China
http://www.sony.net/

English Personal Audio System

Before operating the system, please read this guide thoroughly and retain it for future reference.

WARNING

To reduce the risk of fire or electric shock, do not expose this apparatus to rain or moisture.

To reduce the risk of fire, do not cover the ventilation opening of the apparatus with newspapers, tablecloths, curtains, etc. Do not place the naked flame sources such as lighted candles on the apparatus. To reduce the risk of fire or electric shock, do not expose this apparatus to dripping or splashing, and do not place objects filled with liquids, such as vases, on the apparatus. Do not install the appliance in a confined space, such as a bookcase or built-in cabinet. Do not expose batteries or apparatus with battery installed to an excessive heat such as sunshine, fire or the like.

As the main plug is used to disconnect the system from the mains, connect the system to an easily accessible AC outlet. Should you notice an abnormality in the system, disconnect the main plug from AC outlet immediately.

The system is not disconnected from the mains as long as it is connected to the AC outlet, even if the system itself has been turned off.

CAUTION

You are cautioned that any changes or modifications not expressly approved in this manual could void your authority to operate this equipment.

The validity of the CE marking is restricted to only those countries where it is legally enforced, mainly in the countries EEA (European Economic Area).



The Caution Marking is put on the AC adaptor.



This symbol is intended to alert the user to the presence of uninsulated "dangerous voltage" within the product's enclosure that may be of sufficient magnitude to constitute a risk of electric shock to persons.



This symbol is intended to alert the user to the presence of important operating and maintenance (servicing) instructions in the literature accompanying the appliance

Important Safety Instructions

- 1) Read these instructions.
- 2) Keep these instructions.
- 3) Heed all warnings.
- 4) Follow all instructions.
- 5) Do not use this apparatus near water.
- 6) Clean only with dry cloth.
- 7) Do not block any ventilation openings. Install in accordance with the manufacturer's instructions.
- 8) Do not install near any heat sources such as radiators, heat registers, stoves, or other apparatus (including amplifiers) that produce heat.
- 9) Do not defeat the safety purpose of the polarized or grounding-type plug. A polarized plug has two blades with one wider than the other. A grounding type plug has two blades and a third grounding prong. The wide blade or the third prong are provided for your safety. If the provided plug does not fit into your outlet, consult an electrician for replacement of the obsolete outlet.
- 10) Protect the power cord from being walked on or pinched particularly at plugs, convenience receptacles, and the point where they exit from the apparatus.
- 11) Only use attachments/accessories specified by the manufacturer.
- 12) Use only with the cart, stand, tripod, bracket, or table specified by the manufacturer, or sold with the apparatus. When a cart is used, use caution when moving the cart/apparatus combination to avoid injury from tip-over.



- 13) Unplug this apparatus during lightning storms or when unused for long periods of time.
- 14) Refer all servicing to qualified service personnel. Servicing is required when the apparatus has been damaged in any way, such as power-supply cord or plug is damaged, liquid has been spilled or objects have fallen into the apparatus, the apparatus has been exposed to rain or moisture, does not operate normally, or has been dropped.

For all other batteries, please view the section on how to remove the battery from the product safely. Hand the battery over to the applicable collection point for the recycling of waste batteries. For more detailed information about recycling of this product or battery, please contact your local Civic Office, your household waste disposal service or the shop where you purchased the product.

What is BLUETOOTH wireless technology?

BLUETOOTH wireless technology is a short-range wireless technology that enables wireless data communication between digital devices, such as a computer and digital camera. BLUETOOTH wireless technology operates within a range of about 10 m.

Connecting two devices as necessary is common, but some devices can be connected to multiple devices at the same time.

You do not need to use a cable for connection, nor is it necessary for the devices to face one another, such is the case with infrared technology. For example, you can use such a device in a bag or pocket.

BLUETOOTH standard is an international standard supported by thousands of companies all over the world, and employed by various companies worldwide.

Maximum communication range

Maximum communication range may shorten under the following conditions.

- There is an obstacle such as a person, metal, or wall between the system and BLUETOOTH device.
- A wireless LAN device is in use near the system.
- A microwave oven is in use near the system.
- A device that generates electromagnetic radiation is in use near the system.

Interference from other devices

Because BLUETOOTH devices and wireless LAN (IEEE802.11b/g) use the same frequency, microwave interference may occur and resulting in communication speed deterioration, noise, or invalid connection if the system is used near a wireless LAN device. In such a case, perform the following.

- Use the system at least 10 m away from the wireless LAN device.
- If the system is used within 10 m of a wireless LAN device, turn off the wireless LAN device.

Interference to other devices

Microwaves emitting from a BLUETOOTH device may affect the operation of electronic medical devices. Turn off the system and other BLUETOOTH devices in the following locations, as it may cause an accident.

- where inflammable gas is present, in a hospital, train, airplane, or a gas station
- near automatic doors or a fire alarm

Notes

- To be able to use the BLUETOOTH function, the BLUETOOTH device to be connected requires the same profile as the system's. Note also that even if the same profile exists, devices may vary in function depending on their specifications.
- Due to the characteristic of BLUETOOTH wireless technology, the sound played on the system is slightly delayed from the sound played on the BLUETOOTH device during talking on the telephone or listening to the music.
- This system supports security capabilities that comply with the BLUETOOTH standard to provide a secure connection when the BLUETOOTH wireless technology is used, but security may not be enough depending on the setting. Be careful when communicating using BLUETOOTH wireless technology.
- We do not take any responsibility for the leakage of information during BLUETOOTH communication.
- A device featuring the BLUETOOTH function is required to conform to the BLUETOOTH standard specified by Bluetooth SIG, and be authenticated. Even if the connected device conforms to the above mentioned BLUETOOTH standard, some devices may not be connected or work correctly, depending on the features or specifications of the device.
- Noise or sound skips may occur depending on the BLUETOOTH device connected with the system, the communication environment or the usage environment.

Specifications

Section for Speaker

Speakers

Full range speaker: Approx. 46 mm diameter x 2 / Subwoofer: Approx. 62 mm diameter x 1

Section for Amplifier

POWER OUTPUT AND TOTAL HARMONIC DISTORTION:

Power Output (reference)

Using AC adaptor

Full range speaker: 8W+8W (at 1% harmonic distortion, 1 kHz, 8 Ω)
Subwoofer: 16W (at 1% harmonic distortion, 100 Hz, 4 Ω)

Using battery

Full range speaker: 3W+3W (at 1% harmonic distortion, 1 kHz, 8 Ω)
Subwoofer: 6W (at 1% harmonic distortion, 100 Hz, 4 Ω)

Section for Network

Compatible standards

IEEE 802.11 b/g (WEP 64 bit, WEP 128 bit, WPA/WPA2-PSK (AES), WPA/WPA2-PSK (TKIP))

Radio frequency

2.412 GHz – 2.472 GHz (2.4 GHz ISM Band, 11 Channels) / Channel 1 – Channel 13

Section for BLUETOOTH

Output

BLUETOOTH Specification Power Class 2

Maximum communication range

Line of sight Approx. 10 m*1

Radio frequency

2.4 GHz band (2.4000 GHz – 2.4835 GHz)

Communication System

BLUETOOTH Specification Version 3.0

Compatible BLUETOOTH Profiles*2

A2DP (Advanced Audio Distribution Profile) / AVRCP (Audio Video Remote Control Profile)

Supported codec*3

SBC (Subband Codec)*4 / AAC*5 / aptX

Transmission bandwidth (A2DP)

20 Hz – 20,000 Hz (with 44.1 kHz sampling)

*1 The actual range will vary depending on factors such as obstacles between devices, magnetic fields around a microwave oven, static electricity, reception sensitivity, aerial's performance, operating system, software application, etc.

*2 BLUETOOTH standard profiles indicate the purpose of BLUETOOTH communication between devices.

*3 Codec: Audio signal compression and conversion format

*4 Subband Codec

*5 Advanced Audio Coding

General

AUDIO IN

ANALOG Φ 3.5 mm stereo mini jack

Network port

10BASE-T/100BASE-TX (Auto Polarity)

DC OUT

USB jack Type A (for charging the battery of a connected device) (5 V, Max. 1.5 A: labeled on bottom of system)

Power

DC 18V (using the supplied AC adaptor connected to AC 100V-240V, 50Hz/60Hz power supply) or, using built in lithium-ion battery

AC adaptor

Input: AC 100 V - 240 V 60 W, 50 Hz/60 Hz
Output: DC 18 V, 2.6 A

Usage life of lithium-ion battery (when the NETWORK OFF/ON switch is OFF)

Approx. 6 hours

Usage life of lithium-ion battery (when the NETWORK OFF/ON switch is ON)

Approx. 3 hours

Operating temperature

5 °C to 35 °C

Dimensions (w/h/d) (including projecting parts and controls)

Approx. 300 mm x 132 mm x 60 mm

Mass

Approx. 1.9kg

Supplied accessories:

AC power cord (1) / AC adaptor (AC-E1826L) (1) / Start Guide "Enjoy Music over Your Wi-Fi Network" / Reference Guide (this document)

Design and specifications are subject to change without notice.

Compatible iPhone/iPad/iPod models

Compatible model	AirPlay connection	BLUETOOTH connection
iPhone 5s	✓	✓
iPhone 5c	✓	✓
iPhone 5	✓	✓
iPhone 4s	✓	✓
iPhone 4	✓	✓
iPhone 3GS	✓	✓
iPad Air*	✓	✓
iPad mini with Retina display*	✓	✓
iPad (4th generation)*	✓	✓
iPad mini*	✓	✓
iPad (3rd generation)*	✓	✓
iPad 2*	✓	✓
iPad*	✓	✓
iPod touch (5th generation)	✓	✓
iPod touch (4th generation)	✓	✓
iPod touch (3rd generation)*	✓	✓
iPod nano (7th generation)*	✓	✓

as of January, 2014

* The "SongPal" application does not support iPod touch (3rd generation) or iPod nano. The "SongPal" application does not support iPad (as of January, 2014).

AirPlay works with iPhone, iPad, and iPod touch with iOS 4.3.3 or later, Mac with OS X Mountain Lion, and Mac and PC with iTunes 10.2.2 or later.

Notice

Sony cannot accept responsibility in the event that data recorded to iPhone/iPad/iPod is lost or damaged when using an iPhone/iPad/iPod connected to this system.

Disposing of the System

For environment protection, remove the built-in lithium-ion battery pack from the system.

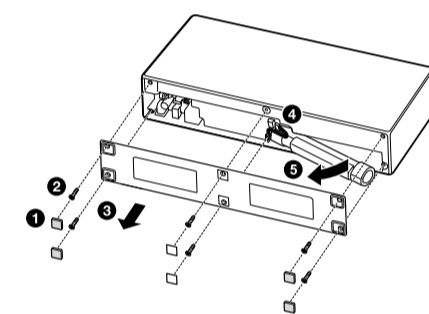
Before removing the battery, drain the battery by removing the AC adaptor and using the system only with the battery.

Take out the lithium-ion battery for recycling. Do not open the cabinet other than when disposing of the system.

1 Turn off the system and remove the AC adaptor.

2 Detach the cover of the rear of the system to remove the battery pack.

- 1 Remove the 6 rubber covers from the bottom of the system.
- 2 Remove the 6 screws.
- 3 Remove the cover.
- 4 Remove the connector plug from the system.
- 5 Remove the battery.



Notice

- Be careful not to damage the cord cover with metallic tweezers, etc. when you remove the battery pack from the system.

Español Sistema de audio personal

Antes de operar el sistema, lea esta guía cuidadosamente y guárdela para consultas en el futuro.

ADVERTENCIA

Para reducir el riesgo de incendio o descarga eléctrica, no exponga este aparato a la lluvia ni a la humedad.

Para reducir el riesgo de incendio, no cubra los conductos de ventilación del aparato con periódicos, manteles, cortinas, etc. No coloque fuentes de llama directa como velas encendidas sobre el aparato.

Para reducir el riesgo de incendio o descarga eléctrica, no exponga este aparato al agua en forma de gotas o salpicaduras y no coloque objetos llenos de líquido, como vasos, sobre éste.

No sitúe el aparato en un espacio cerrado, como una estantería o un armario empotrado.

No exponga las baterías o el aparato con las baterías puestas a fuentes de calor excesivo como la luz del sol, el fuego o similares. Puesto que el enchufe principal se utiliza para desconectar el sistema de la red eléctrica, conecte el sistema a una toma de corriente de ca de fácil acceso. Si detecta algún funcionamiento anormal en el sistema, desconecte el enchufe principal de la toma de corriente de ca inmediatamente. La unidad no estará desconectada de la fuente de alimentación de ca mientras esté conectada a la toma de pared, aunque esté apagada.

PRECAUCIÓN

Se le advierte que la realización de cambios o modificaciones no aprobados explícitamente en este manual pueden anular su autoridad para utilizar este equipo.

La validez de la marca CE se limita a aquellos países donde tiene validez legal, principalmente en los países del EEE (Espacio Económico Europeo).

CE



La marca de precaución se coloca en el adaptador de ca.



Este símbolo está destinado a alertar al usuario de la presencia de una "tensión peligrosa" sin aislamiento dentro del interior del producto que puede ser de magnitud suficiente para constituir un riesgo de descarga eléctrica para las personas.



Este símbolo está destinado a alertar al usuario de la presencia de instrucciones de operación y mantenimiento (servicio) importantes en el folleto que acompaña al aparato.

Para todas las otras baterías, revise la sección acerca de cómo retirar la batería del producto de manera segura. Entregue la batería gastada en un punto de recolección apropiado para su reciclaje. Para obtener información más detallada acerca del reciclaje de este producto o su batería, póngase en contacto con el departamento civil local, su servicio de eliminación de desechos o la tienda donde adquirió el producto.

Precauciones

Seguridad

La placa de características que indica la marca comercial de Sony, el número de modelo y la potencia eléctrica se encuentra en la parte inferior externa de este sistema.

La dirección de MAC está ubicada en la parte inferior externa de este sistema.

- Antes de utilizar el sistema, asegúrese de que el voltaje de funcionamiento del sistema es idéntico al del suministro eléctrico local.

Establecimiento de adquisición	Voltaje de funcionamiento
Todos los países/todas las regiones	De 100 V a 240 V de ca, 50 Hz/60 Hz

Notas sobre el adaptador de ca

- Cuando conecte o desconecte el adaptador de ca, apague el sistema de antemano. De lo contrario, podría causar una falla en el funcionamiento.
- Utilice solamente el adaptador de ca suministrado. Para evitar dañar el sistema, no utilice ningún otro adaptador de ca.



Polaridad de la clavija

- Enchufe el adaptador de ca a una toma de corriente cercana. En el caso de que se produzca un problema, desenchúfelo de la toma de corriente inmediatamente.
- No instale el adaptador de ca en un espacio cerrado, como una estantería o un armario empotrado.
- Para reducir el riesgo de incendios o descargas eléctricas, no exponga el adaptador de ca a goteos o salpicaduras, y no coloque objetos que contengan líquidos, como los jarrones, sobre el adaptador de ca.
- La validez de la marca CE se limita únicamente a aquellos países en los que la legislación la impone, especialmente los países de la EEE (Espacio Económico Europeo).

Ubicación

- No coloque el sistema en una posición inclinada.
- No deje el sistema cerca de fuentes de calor, ni en lugares expuestos a la luz solar directa, polvo excesivo, humedad, lluvia o golpes mecánicos.

Funcionamiento

- No inserte ningún objeto pequeño, etc., en las tomas de corriente ni en los orificios de ventilación de la parte posterior del sistema. Es posible que el sistema sufra un cortocircuito o un fallo de funcionamiento.

Limpieza

- No utilice alcohol, bencina ni disolventes para limpiar la unidad.

Otros

- Si desea realizar alguna consulta o solucionar algún problema relacionado con este sistema que no se trate en este manual, póngase en contacto con el distribuidor Sony más cercano.
- Cuando deseche o entregue este sistema, asegúrese de iniciarlo para restablecer todos los ajustes predeterminados de fábrica.

Acerca de los derechos de autor

- SONY, Sony Entertainment Network y los lagos son marcas comerciales de Sony Corporation.
- Windows, el logotipo de Windows, y Windows Media son marcas comerciales registradas o marcas comerciales de Microsoft Corporation en los Estados Unidos y/u otros países.
- Este producto está protegido por derechos de propiedad intelectual de Microsoft Corporation. El uso o la distribución de esta tecnología no relacionados con este producto está prohibido sin una licencia de Microsoft o de una filial autorizada de Microsoft.
- Pandora, el logotipo de Pandora y la imagen de la marca Pandora son marcas comerciales o marcas comerciales registradas de Pandora Media, Inc., utilizadas con autorización.
- Spotify y los logotipos Spotify son marcas comerciales de Spotify Group.
- Apple, el logotipo de Apple, AirPlay, iPad, iPhone, iPod, iPod nano, iPod touch, iTunes, Mac y OS X son marcas registradas de Apple Inc., registradas en Estados Unidos y otros países. App Store es una marca de servicio de Apple Inc. "Made for iPod", "Made for iPhone" y "Made for iPad" significa que un accesorio electrónico ha sido diseñado específicamente para conectarse con iPod, iPhone y iPad. Respectivamente, ha sido certificado por el desarrollador para cumplir con los estándares de rendimiento de Apple. En ningún caso Apple se hace responsable de la operación de este dispositivo o de su cumplimiento con los estándares de regulación y seguridad. Por favor, tenga en cuenta que el uso de este accesorio con el iPod, iPhone o iPad puede afectar el rendimiento inalámbrico.
- Macintosh y Mac OS son marcas comerciales de Apple Inc., registradas en los EE. UU. y otros países.
- Wi-Fi**[®] es una marca de Wi-Fi Alliance.
- Wi-Fi[®], Wi-Fi Protected Access[®] y Wi-Fi Alliance[®] son marcas comerciales registradas de Wi-Fi Alliance.
- Wi-Fi CERTIFIED[™], WPA[™], WPA2[™] y Wi-Fi Protected Setup[™] son marcas de Wi-Fi Alliance.

- DLNA[™], el logotipo de DLNA y DLNA CERTIFIED[™] son marcas comerciales, marcas de servicio o marcas de certificación de Digital Living Network Alliance.
- ©2013 CSR plc y las empresas del grupo. La marca aptX[®] y el logo aptX son marcas registradas de CSR plc o de una de las empresas del grupo y pueden estar registrados en una o más jurisdicciones.
- "S-Master" es una marca comercial de Sony Corporation.
- ClearAudio+ y **ClearAudio+** son marcas comerciales de Sony Corporation.
- "DSEE" y **DSEE** son marcas comerciales de Sony Corporation.
- Tecnología de codificación de audio MPEG Layer-3 y patentes bajo licencia de Fraunhofer IIS y Thomson.
- La marca denominativa BLUETOOTH[®] y sus logotipos son propiedad de Bluetooth SIG, Inc. y Sony Corporation los utiliza bajo licencia. Las demás marcas y nombres comerciales pertenecen a sus respectivos propietarios.
- La marca N es una marca comercial o una marca comercial registrada de NFC Forum, Inc. en los Estados Unidos y en otros países.
- Google Play y Android son marcas comerciales de Google Inc.
- "Xperia" y "Xperia Tablet" son marcas comerciales de Sony Mobile Communications AB.
- WALKMAN[®] y el logotipo WALKMAN[®] son marcas comerciales registradas de Sony Corporation.
- Los nombres de sistemas y los nombres de productos indicados en este manual son generalmente marcas comerciales o marcas comerciales registradas de sus respectivos fabricantes. Las marcas [™] y [®] se omiten en este manual.

¿Qué es la tecnología inalámbrica BLUETOOTH?

La tecnología inalámbrica BLUETOOTH es una tecnología inalámbrica de corto alcance que permite el intercambio de información entre dispositivos digitales, como entre una computadora y una cámara digital. La tecnología BLUETOOTH opera dentro de un rango cercano a los 10 m.

Lo común es la conexión entre dos dispositivos, pero algunos pueden ser conectados a varios dispositivos al mismo tiempo. No se necesita usar un cable para la conexión ni tampoco que los dispositivos coincidan en orientación, como en el caso de la tecnología infrarroja. Por ejemplo, puede usar este dispositivo en un bolso o en el bolsillo.

El estándar BLUETOOTH es un estándar internacional usado por miles de empresas en el mundo y es empleado por varias empresas a nivel mundial.

Alcance máximo de comunicación

El alcance máximo de comunicación puede ser menor según las siguientes condiciones.

- Si existe un obstáculo, como una persona, metal, o muro entre el sistema y el dispositivo BLUETOOTH.
- Si se usa un dispositivo LAN cerca del sistema.
- Si se usa un horno microondas cerca del sistema.
- Si se usa un dispositivo que genere radiación electromagnética cerca del sistema.

Interferencia causada por otros dispositivos

Debido a que los dispositivos BLUETOOTH y la red inalámbrica LAN (IEEE802.11b/g) usan la misma frecuencia puede ocurrir interferencia de microondas lo que puede causar deterioro de la velocidad de comunicación, ruido, o conexión inválida si se usa cerca de un dispositivo LAN inalámbrico. En este caso, realice lo siguiente.

- Use el sistema a una distancia de al menos 10 m del dispositivo LAN inalámbrico.
- Si el sistema se usa en el área cercana a 10 m de un dispositivo con LAN inalámbrica, apague el dispositivo.

Interferencia causada a otros dispositivos

Las microondas emitidas por el dispositivo BLUETOOTH pueden afectar la operación de dispositivos médicos electrónicos. Apague el sistema y los otros dispositivos BLUETOOTH en los siguientes lugares, ya que pueden causar un accidente.

- donde hay gas inflamable presente, en un hospital, tren, avión o en una estación de combustibles
- cerca de puertas automáticas o alarmas de incendio

Notas

- Para poder usar la función BLUETOOTH, el dispositivo BLUETOOTH que sea conectado debe contar con el mismo perfil del sistema. Considere que incluso si existe el mismo perfil, los dispositivos pueden variar en su función dependiendo de las especificaciones.
- Debido a las características de la tecnología BLUETOOTH, el sonido reproducido en el sistema tiene un pequeño desfase con el sonido reproducido en el dispositivo BLUETOOTH durante una conversación telefónica o cuando se escucha música.
- Este sistema posee capacidades de seguridad que cumplen con los estándares BLUETOOTH para entregar una conexión segura cuando se usa la tecnología BLUETOOTH, pero la seguridad puede no ser suficiente dependiendo de la configuración. Sea cuidadoso cuando se comunica con el uso de la tecnología inalámbrica BLUETOOTH.
- No aceptamos ninguna responsabilidad por la filtración de información durante una comunicación por medio de BLUETOOTH.
- Un dispositivo que cuente con la función BLUETOOTH debe cumplir con el estándar BLUETOOTH especificado por Bluetooth SIG, y debe ser autenticado. Incluso si el dispositivo conectado cumple con el estándar BLUETOOTH, algunos dispositivos pueden no haber sido conectados correctamente o pueden no funcionar, dependiendo de las características o especificaciones del dispositivo.
- Pueden ocurrir saltos de sonido o ruido dependiendo del dispositivo BLUETOOTH conectado al sistema, el ambiente de comunicación o el ambiente de uso.

Especificaciones

Sección para el altavoz

Altavoz

Altavoz de gama completa: aprox. 46 mm de diámetro × 2 / Subwoofer: aprox. 62 mm de diámetro × 1

Sección para el amplificador

SALIDA DE ENERGÍA Y DISTORSIÓN ARMÓNICA TOTAL:

Salida de energía (referencia)

Uso de un adaptador de ca

Altavoz de gama completa: 8 W+8 W (en el 1% de distorsión armónica, 1 kHz, 8 Ω)
Subwoofer: 16 W (en el 1% de distorsión armónica, 100 Hz, 4 Ω)

Uso de la batería

Altavoz de gama completa: 3 W+3 W (en el 1% de distorsión armónica, 1 kHz, 8 Ω)
Subwoofer: 6 W (en el 1% de distorsión armónica, 100 Hz, 4 Ω)

Sección para la red

Normas compatibles

IEEE 802.11 b/g (WEP 64 bit, WEP 128 bit, WPA/WPA2-PSK (AES), WPA/WPA2-PSK (TKIP))

Frecuencia de radio

2,412 GHz – 2,472 GHz (2,4 GHz banda ISM, 11 canales) / Canal 1 – Canal 13

Sección para BLUETOOTH

Salida
BLUETOOTH Especificación de alimentación clase 2

Alcance máximo de comunicación

A la línea de la vista aprox. 10 m¹

Frecuencia de radio

Banda de frecuencia: 2,4 GHz (2,4000 GHz – 2,4835 GHz)

Sistema de comunicación

BLUETOOTH Versión de la especificación 3.0

Perfiles BLUETOOTH compatibles*2

A2DP (Perfil de distribución de audio avanzado) / AVRCP (Protocolo de control de audio y vídeo)

Códec compatible*3

SBC (Códec de sub-banda)*4 / AAC*5/ aptX

Ancho de banda de transmisión (A2DP)

20 Hz – 20.000 Hz (con muestreo de 44,1 kHz)

^[1] El alcance real varía según factores como obstáculos entre dispositivos, campos magnéticos alrededor de un horno microondas, electricidad estática, sensibilidad de recepción, desempeño de la antena, sistema operativo, aplicaciones de software, etc.

^[2] Los perfiles estándar de BLUETOOTH indican el propósito de la comunicación BLUETOOTH entre dispositivos.

^[3] Códec: Compresión de señal de audio y formato de conversión

^[4] Codec sub-banda

^[5] Codificación avanzada de audio

General

AUDIO IN

Mini conector estéreo de 3,5 mm Ø ANÁLOGO

Puerto de red

10BASE-T/100BASE-TX (polaridad automática)

SALIDA DE cc

Conector USB tipo A (para cargar la batería de un dispositivo conectado) (5 V, máx. 1,5 A: etiquetado en la parte inferior del sistema)

Potencia

18 V cc (al usar el adaptador de ca suministrado conectado con el suministro de energía de ca de 100 V-240 V, 50 Hz/60 Hz) o al usar la batería de ion-litio incorporada

Adaptador de ca

Entrada: ca 100 V -240 V 60 W, 50 Hz/60 Hz

Salida: cc 18 V, 2,6 A

Vida útil de la batería de ion-litio (cuando el interruptor NETWORK OFF/ON está OFF)

Aprox. 6 horas

Vida útil de la batería de ion-litio (cuando el interruptor NETWORK OFF/ON está ON)

Aprox. 3 horas

Temperatura de operación

de 5 °C a 35 °C

Dimensiones (an/a/pr) (incluye controles y partes salientes)

Aprox. 300 mm × 132 mm × 60 mm

Masa

Aprox. 1,9 kg

Accesorios suministrados:

Cable de alimentación de ca (1) / Adaptador de ca (AC-E1826L) (1) / Guía de inicio "Disfrute de la música a través de su red Wi-Fi" / Guía de referencia (este documento)

El diseño y las especificaciones pueden ser cambiadas sin previo aviso.

Modelos de iPhone/iPad/iPod compatibles

Modelo compatible	Conexión AirPlay	Conexión BLUETOOTH
iPhone 5s	<div>✓</div>	<div>✓</div>
iPhone 5c	<div>✓</div>	<div>✓</div>
iPhone 5	<div>✓</div>	<div>✓</div>
iPhone 4s	<div>✓</div>	<div>✓</div>
iPhone 4	<div>✓</div>	<div>✓</div>
iPhone 3GS	<div>✓</div>	<div>✓</div>
iPad Air*	<div>✓</div>	<div>✓</div>
iPad mini con Pantalla Retina*	<div>✓</div>	<div>✓</div>
iPad (4.ª generación)*	<div>✓</div>	<div>✓</div>
iPad mini*	<div>✓</div>	<div>✓</div>
iPad (3.ª generación)*	<div>✓</div>	<div>✓</div>
iPad 2*	<div>✓</div>	<div>✓</div>
iPad*	<div>✓</div>	<div>✓</div>
iPod touch (5.ª generación)	<div>✓</div>	<div>✓</div>
iPod touch (4.ª generación)	<div>✓</div>	<div>✓</div>
iPod touch (3.ª generación)*	<div>✓</div>	<div>✓</div>
iPod nano (7.ª generación)*	<div>✓</div>	<div>✓</div>

a partir de enero de 2014

- La aplicación "SongPal" no es compatible con iPod touch (3.ª generación) o iPod nano. La aplicación "SongPal" no es compatible con iPad (a partir de enero de 2014).

AirPlay funciona con iPhone, iPad, y iPod touch con iOS 4.3.3 o posterior, Mac con OS X Mountain Lion, y Mac y PC con iTunes 10.2.2 o posterior.

Nota

Sony no acepta ninguna responsabilidad en el caso que los datos grabados en el iPhone/iPad/iPod se pierdan o se dañen al utilizar un iPhone/iPad/iPod conectado a este sistema.

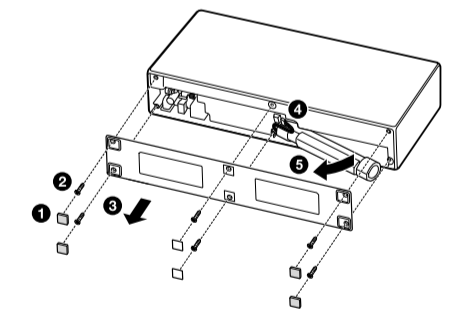
Desecho del sistema

Para la protección del medio ambiente, saque la batería de ion-litio incorporada del sistema.

Antes de retirar la batería, agótelá quitando el adaptador ca y utilizando el sistema Solo con la batería.

Retire la batería de ion-litio para su reciclaje. No abra el gabinete excepto para desechar el sistema.
--

- Apague el sistema y extraiga el adaptador ca.
- Retire la cubierta de la parte posterior del sistema para extraer la batería.
 - Retire las 6 cubiertas de goma de la parte inferior del sistema.
 - Retire los 6 tornillos.
 - Retire la cubierta.
 - Retire el enchufe conector del sistema.
 - Retire la batería.



Nota

- Tenga cuidado de no dañar la cubierta del cable con pinzas metálicas u otros cuando retire la batería del sistema.