

# Floor Stand

## Operating Instructions

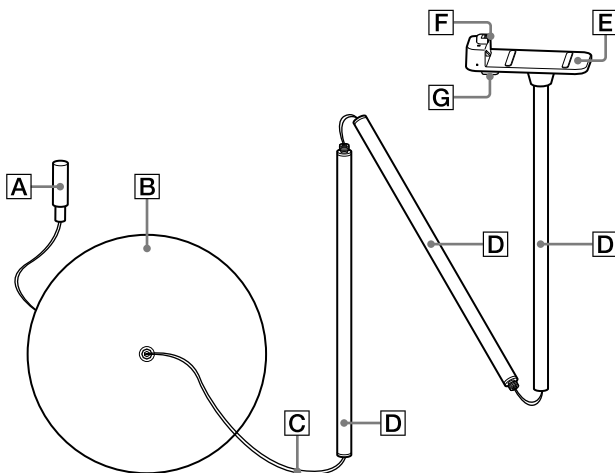
©2016 Sony Corporation  
Printed in China



LSPX-PS1

## Checking the contents

- Floor stand (1)



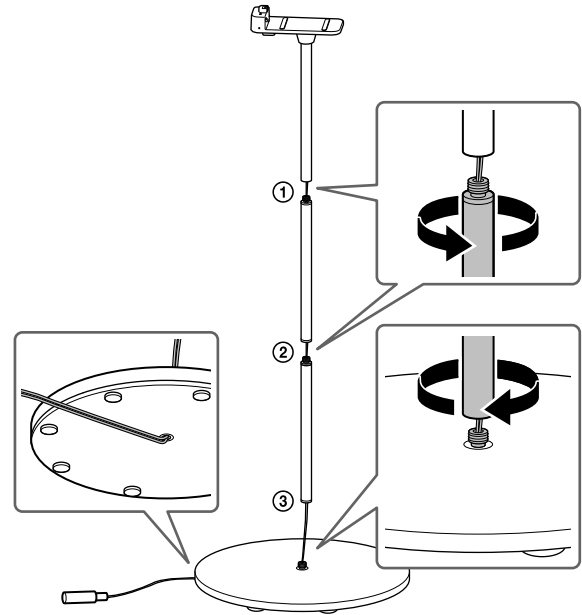
- |                               |                         |
|-------------------------------|-------------------------|
| <b>A</b> Power cord connector | <b>E</b> Mounting plate |
| <b>B</b> Stand base           | <b>F</b> Charge contact |
| <b>C</b> Power cord           | <b>G</b> Quick release  |
| <b>D</b> Poles                |                         |

- Wall strap (1)
- Wall strap screw (1)
- Hex key (1.5 mm) (1)
- Warranty (1)
- Operating Instructions (this document) (1)

Use the AC adaptor supplied with the LSPX-P1 projector.

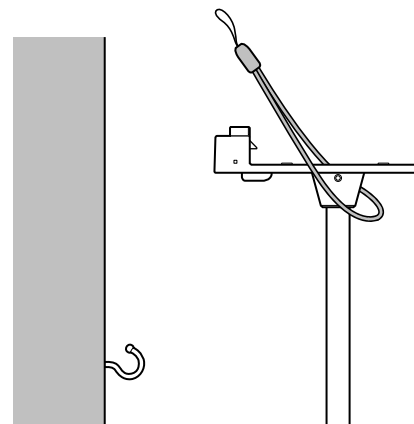
## Assembling

- 1 Assemble the poles and stand base in order of ①②③.  
Take care not to pinch the power cord between the poles.  
Route the power cord between two rubber feet under the stand base.

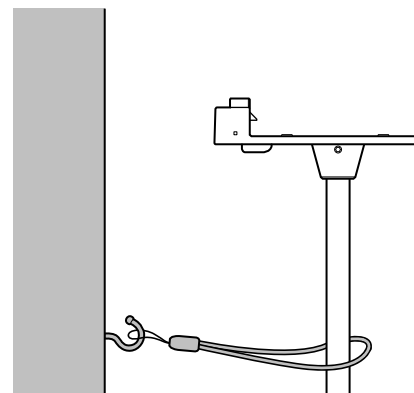


## Preventing tipping over by securing to the wall

- 1 Drive the wall strap screw (supplied) into a solid wall.  
Drive the wall strap screw at a height of 70 cm (27 5/8 inches) to 80 cm (31 1/2 inches) above the floor.
- 2 From the mounting plate, pass the stand through the larger loop of the wall strap (supplied).

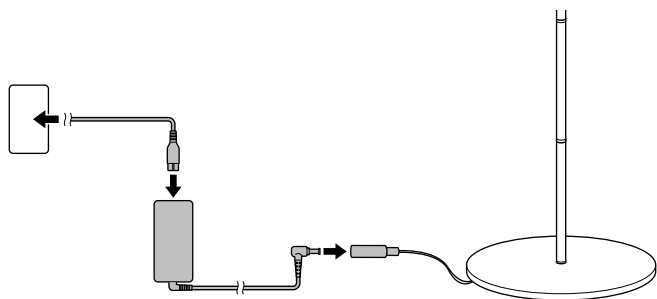


- 3 Hook the smaller loop of the wall strap onto the wall strap screw.



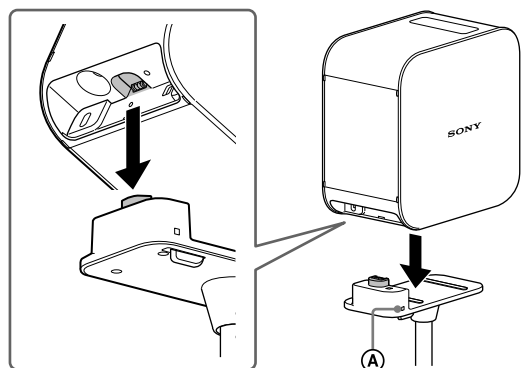
## Attaching the projector

- 1 Connect the AC adaptor supplied with the projector to the power cord connector, then plug the power plug into a wall outlet.



- 2 Attach the projector by lowering it from directly above the mounting plate, connecting the mounting plate's charge contact to the projector's power jack for the stand.

When the projector is correctly attached, the charge indicator light (A) turns on. When fully charged, the charge indicator light turns off.

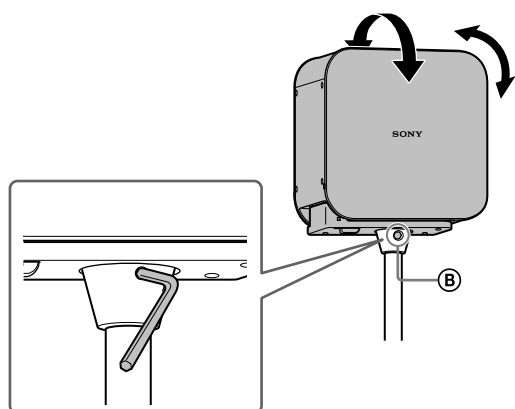


## Adjusting the angle

Adjust the mounting plate angle to improve projection image quality. The mounting plate can be panned and tilted.

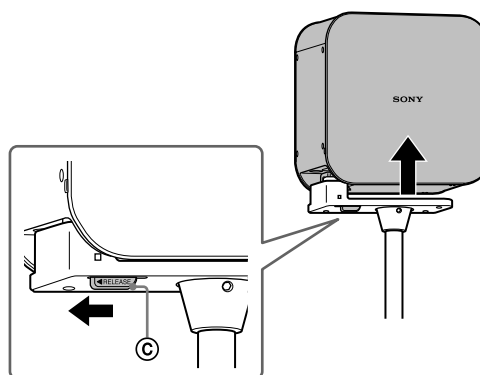
- 1 Adjust the mounting plate angle while supporting the projector with your hand.

If the mounting plate is too tight to move, or if it is too loose to stay in place, adjust the tension screws on both sides of the mounting plate (B) with the hex key (supplied).



## To remove the projector

While sliding the quick release (C) in the direction of the arrow, lift the projector straight up.



### Notes

- Do not overtighten the tension screw. Otherwise, the hole, screw or hex key may be damaged.
- Be sure to slide the quick release before removing the projector. Otherwise, the mounting plate or projector may be damaged.

## Precautions for use

### For your safety

- This stand is to be used with the LSPX-P1 Portable Ultra Short Throw Projector only. If you attach an object other than LSPX-P1 on the mounting plate, it may fall causing an injury or damage.
- Do not lean against the stand, and do not hang from the stand. The stand may tip over, or the projector may fall, causing an injury or damage.
- Do not step on the mounting plate, and do not use it as a stool. The stand may tip over, or the projector may fall, causing an injury or damage.
- Do not install the stand on other than the floor. The stand may tip over causing an injury or damage.
- Before carrying the stand, remove the projector. The projector may fall causing an injury or damage.
- Do not pinch the power cord between the stand and the wall/floor. The power cord may be damaged causing a fire or electric shock.
- Do not disassemble or modify the stand. It may cause a malfunction or electric shock.
- Do not let water or foreign objects get into the stand. If water or foreign objects get into the stand, it may cause a fire or electric shock. If water or foreign objects have gotten into the stand, press and hold the power button of the projector to turn it off, unplug it, then consult qualified Sony personnel.
- Screw the poles together tightly. If screwed loosely, they may separate causing injury or damage to the projector.
- Do not place the stand on an unstable surface or inclined plane. The stand may tip over or the projector may fall resulting in injuries.
- Do not catch your foot on the power cord. The stand may tip over or the projector may fall causing an injury or damage.
- When installing, take care not to trap your finger/foot between the stand and the wall or floor. Be careful not to trap your finger or foot between the stand and the wall or floor.
- Do not place the stand where there is water. If water gets into the stand, the stand gets wet, or the stand is used in a bathroom, it may cause a fire or electric shock.

### On installation

- Take care not to pinch the power cord between the poles or between the pole and stand base. Otherwise, the power cord may be damaged.
- A magnet is incorporated into the mounting plate. Keep magnetic stripe cards and IC cards away from the mounting plate; otherwise, the data may be lost or the card may become unusable.
- When installing on a tatami mat, rug, or carpet, lay a hard board or similar on it to make a flat installation surface.
- Do not put any objects on the stand base.
- Do not use the stand in any place where the temperature is extremely hot, or the humidity is extremely high, such as a place exposed to direct sunlight or close to a heater.
- Do not use the stand outdoors.
- If there is sand or dust under the foot of the stand base, remove it to avoid scratching the floor.

### On cleaning

Wipe with a soft dry cloth. Do not use any neutral detergents or chemicals such as alcohol, thinner, and benzene; they may damage the finished surface of the stand.

## Specifications

### Dimensions

Approx. 200 mm × 200 mm × 878 mm (7 7/8 inches × 7 7/8 inches × 34 5/8 inches) (width × depth × height) (excluding power cord and power cord connector)

### Mass

Approx. 2.2 kg (4 lb 14 oz)

Design and specifications are subject to change without notice.