

SONY®

Sound Bar

Operating Instructions US

Mode d'emploi FR

Manual de Instrucciones ES

For the customers in the USA

Owner's Record

The model and serial numbers are located on the bottom of the Bar Speaker. Record these numbers in the space provided below. Refer to them whenever you call upon your Sony dealer regarding this product.

Model No. _____

Serial No. _____

WARNING

To reduce the risk of fire or electric shock, do not expose this apparatus to rain or moisture.

To reduce the risk of fire, do not cover the ventilation opening of the appliance with newspapers, tablecloths, curtains, etc.

Do not expose the appliance to naked flame sources (for example, lighted candles).

To reduce the risk of fire or electric shock, do not expose this appliance to dripping or splashing, and do not place objects filled with liquids, such as vases, on the appliance.

Do not install the appliance in a confined space, such as a bookcase or built-in cabinet.

Do not expose batteries or appliances with battery-installed to excessive heat, such as sunshine and fire.

To prevent injury, this apparatus must be securely placed on the cabinet or attached to the floor/wall in accordance with the installation instructions.

Indoor use only.

On power sources

- The unit is not disconnected from the mains as long as it is connected to the AC outlet, even if the unit itself has been turned off.

- As the main plug is used to disconnect the unit from the mains, connect the unit to an easily accessible AC outlet. Should you notice an abnormality in the unit, disconnect the main plug from the AC outlet immediately.

For the Bar Speaker

The nameplate and the date of manufacture marking are located on the bottom.

For the customers in the USA



The Caution Marking is put on the Bottom Enclosure (For the Bar Speaker).



This symbol is intended to alert the user to the presence of uninsulated "dangerous voltage" within the product's enclosure that may be of sufficient magnitude to constitute a risk of electric shock to persons.



This symbol is intended to alert the user to the presence of important operating and maintenance (servicing) instructions in the literature accompanying the appliance.

Properly shielded and grounded cables and connectors must be used for connection to host computers and/or peripherals in order to meet FCC emission limits.

NOTE:

This equipment has been tested and found to comply with the limits for a Class B digital device, pursuant to Part 15 of the FCC Rules. These limits are designed to provide reasonable protection against harmful interference in a residential installation. This equipment generates, uses and can radiate radio frequency energy and, if not installed and used in accordance with the instructions, may cause harmful interference to radio communications.

However, there is no guarantee that interference will not occur in a particular installation. If this equipment does cause harmful interference to radio or television reception, which can be determined by turning the equipment off and on, the user is encouraged to try to correct the interference by one or more of the following measures:

- Reorient or relocate the receiving antenna.
- Increase the separation between the equipment and receiver.
- Connect the equipment into an outlet on a circuit different from that to which the receiver is connected.
- Consult the dealer or an experienced radio/TV technician for help.

CAUTION

You are cautioned that any changes or modifications not expressly approved in this manual could void your authority to operate this equipment.

This equipment must not be co-located or operated in conjunction with any other antenna or transmitter.

This equipment complies with FCC radiation exposure limits set forth for an uncontrolled environment and meets the FCC radio frequency (RF) Exposure Guidelines. This equipment has very low levels of RF energy that is deemed to comply without maximum permissive exposure evaluation (MPE).

Important Safety Instructions

- 1) Read these instructions.
- 2) Keep these instructions.
- 3) Heed all warnings.
- 4) Follow all instructions.
- 5) Do not use this apparatus near water.
- 6) Clean only with dry cloth.
- 7) Do not block any ventilation openings. Install in accordance with the manufacturer's instructions.
- 8) Do not install near any heat sources such as radiators, heat registers, stoves, or other apparatus (including amplifiers) that produce heat.
- 9) Do not defeat the safety purpose of the polarized or grounding-type plug. A polarized plug has two blades with one wider than the other. A grounding type plug has two blades and a third grounding prong. The wide blade or the third prong are provided for your safety. If the provided plug does not fit into your outlet, consult an electrician for replacement of the obsolete outlet.
- 10) Protect the power cord from being walked on or pinched particularly at plugs, convenience receptacles, and the point where they exit from the apparatus.
- 11) Only use attachments/accessories specified by the manufacturer.

- 12) Use only with the cart, stand, tripod, bracket, or table specified by the manufacturer, or sold with the apparatus. When a cart is used, use caution when moving the cart/apparatus combination to avoid injury from tip-over.



- 13) Unplug this apparatus during lightning storms or when unused for long periods of time.
- 14) Refer all servicing to qualified service personnel. Servicing is required when the apparatus has been damaged in any way, such as power-supply cord or plug is damaged, liquid has been spilled or objects have fallen into the apparatus, the apparatus has been exposed to rain or moisture, does not operate normally, or has been dropped.

For the customers in Canada

Properly shielded and grounded cables and connectors must be used for connection to host computers and/or peripherals.

This device complies with Industry Canada's licence-exempt RSSs. Operation is subject to the following two conditions:

- (1) This device may not cause interference; and
- (2) This device must accept any interference, including interference that may cause undesired operation of the device.

This equipment complies with IC radiation exposure limits set forth for an uncontrolled environment and meets RSS-102 of the IC radio frequency (RF) Exposure rules.

This equipment has very low levels of RF energy that is deemed to comply without maximum permissive exposure evaluation (MPE). But it is desirable that it should be installed and operated keeping the radiator at least 20 cm or more away from person's body.

Copyrights and Trademarks

- This system incorporates Dolby* Digital and the DTS** Digital Surround System.
 - * Manufactured under license from Dolby Laboratories. Dolby and the double-D symbol are trademarks of Dolby Laboratories.
 - ** For DTS patents, see <http://patents.dts.com>. Manufactured under license from DTS Licensing Limited. DTS, the Symbol, & DTS and the Symbol together are registered trademarks, and DTS Digital Surround is a trademark of DTS, Inc. © DTS, Inc. All Rights Reserved.
- The BLUETOOTH® word mark and logos are registered trademarks owned by Bluetooth SIG, Inc. and any use of such marks by Sony Corporation is under license. Other trademarks and trade names are those of their respective owners.
- This system incorporates High-Definition Multimedia Interface (HDMI™) technology. The terms HDMI and HDMI High-Definition Multimedia Interface, and the HDMI Logo are trademarks or registered trademarks of HDMI Licensing LLC in the United States and other countries.
- The N-Mark is a trademark or registered trademark of NFC Forum, Inc. in the United States and in other countries.
- Android™ is a trademark of Google Inc.
- Google Play™ is a trademark of Google Inc.

- “BRAVIA” is a trademark of Sony Corporation.
- “PlayStation” is a registered trademark of Sony Computer Entertainment Inc.
- MPEG Layer-3 audio coding technology and patents licensed from Fraunhofer IIS and Thomson.
- Windows Media is either a registered trademark or trademark of Microsoft Corporation in the United States and/or other countries.
- This product is protected by certain intellectual property rights of Microsoft Corporation. Use or distribution of such technology outside of this product is prohibited without a license from Microsoft or an authorized Microsoft subsidiary.
- “ClearAudio+” is a trademark of Sony Corporation.
- Apple, the Apple logo, iPhone, iPod, iPod touch, and Retina are trademarks of Apple Inc., registered in the U.S. and other countries. App Store is a service mark of Apple Inc.

“Made for iPod,” and “Made for iPhone” mean that an electronic accessory has been designed to connect specifically to iPod or iPhone, respectively, and has been certified by the developer to meet Apple performance standards. Apple is not responsible for the operation of this device or its compliance with safety and regulatory standards. Please note that the use of this accessory with iPod or iPhone may affect wireless performance.

Compatible iPod/iPhone models

The compatible iPod/iPhone models are as follows. Update your iPod/iPhone with the latest software before using with the system.

BLUETOOTH technology works with:

- iPhone 6s Plus/iPhone 6s/
- iPhone 6 Plus/iPhone 6/iPhone 5s/
- iPhone 5c/iPhone 5

- iPod touch (6th generation)/
- iPod touch (5th generation)
- Other system and product names are generally trademarks or registered trademarks of the manufacturers. ™ and ® marks are not indicated in this document.

About these operating instructions

- The instructions in these Operating Instructions describe the controls on the remote control. You can also use the controls on the Bar Speaker if they have the same or similar names as those on the remote control.
- Some illustrations are presented as conceptual drawings, and may be different from the actual products.
- The default setting is underlined.
- The text enclosed in double quotation mark (“--”) appears in the top panel display.

Table of Contents

Connecting → Startup Guide (separate document)

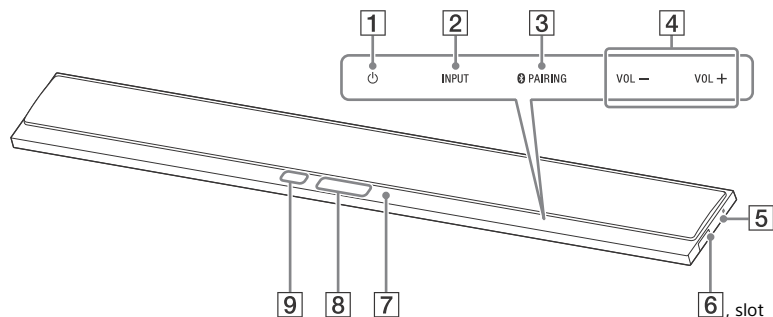
About these operating instructions	5	Activating wireless transmission between specific units (Secure Link)	21
Guide to parts and controls	7	Adjusting the volume of subwoofer	22
Listening		Additional Information	
Listening to sound from the connected devices	10	Precautions	22
Listening to music from a USB device	11	Troubleshooting	23
Sound Adjustment		Playable types of files	28
Enjoying sound effects	12	Supported audio formats	28
BLUETOOTH Functions		Specifications	28
Listening to music from a BLUETOOTH device	13	On BLUETOOTH communication	30
Controlling the system using a smartphone or tablet (SongPal)	15		
Settings and Adjustments			
Using the setup display	16		
Other Functions			
Using the Control for HDMI function	18		
Using the "BRAVIA" Sync function	19		
Saving power in standby mode	20		
Mounting the Bar Speaker on a wall	20		
Installing the subwoofer horizontally	21		

Guide to parts and controls

For more information, refer to the pages indicated in parentheses.

Bar Speaker

Top and side panel



1 **⏻ (power) touch key**
Turns on the system, or sets it to standby mode.

2 **INPUT touch key**
Selects the device you want to use.

3 **📶 PAIRING touch key**

4 **VOL (volume) +/- touch key**

5 **N (N-Mark) (page 14)**

Position the NFC-compatible device near this indication to activate the NFC function.

6 **🔌 (USB) port (page 11)**
Place your fingernail in the slot (from bottom) to open the cover.

7 **Blue LED indicator**
Shows the BLUETOOTH status as follows.

During BLUETOOTH pairing	Flashes quickly
The system is attempting to connect with a BLUETOOTH device	Flashes
The system has established connection with a BLUETOOTH device	Lights up

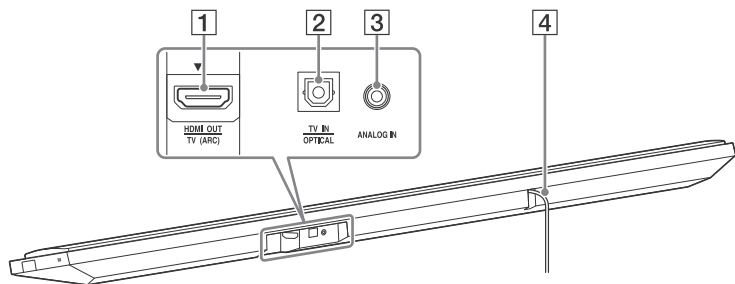
8 **Top panel display**

9 **Remote control sensor**

About touch keys

The touch keys work when you touch them lightly. Do not press on them with excessive force.

Rear panel



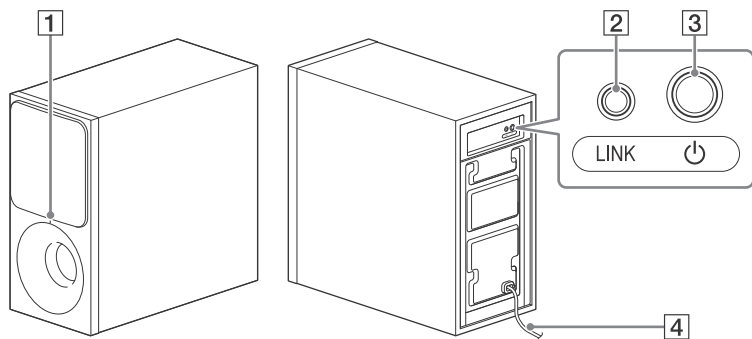
1 HDMI OUT TV (ARC) jack

2 TV IN OPTICAL jack

3 ANALOG IN jack

4 AC power cord (mains lead)

Subwoofer



1 Power indicator

- Lights off: Power is off.
- Red: Not connected to Bar Speaker (standby mode).
- Green: Connected to Bar Speaker (Secure Link connection is not established).
- Orange: Secure Link connection is established.

2 LINK (page 22)

3 ⏻ (power)

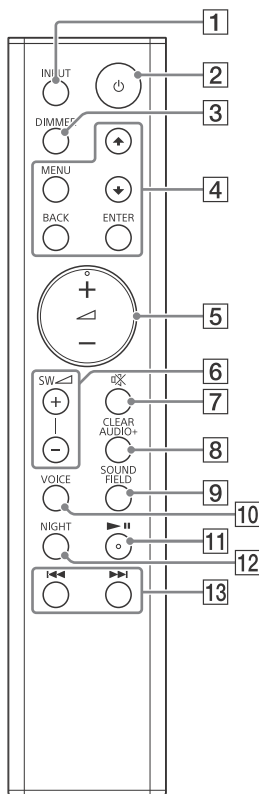
- Turns on the subwoofer, or sets it to standby mode.

4 AC power cord (mains lead)

About the standby mode

The subwoofer enters standby mode automatically and the power indicator turns red when the Bar Speaker is in standby mode or wireless transmission is deactivated. The subwoofer turns on automatically when the Bar Speaker is turned on and wireless transmission is activated.

Remote control



1 INPUT (page 10)

2 (power)

Turns on the system, or sets it to standby mode.

3 DIMMER

Adjust the brightness of the top panel display.

"BRIGHT" → "DARK" → "OFF"

- The top panel display is turned off when "OFF" is selected. It turns on automatically when you press any buttons, then turns off again if you do not operate the system for several seconds. However, in some cases, the top panel display may not turn off. In this case, the brightness of the top panel display is same as "DARK".

4 MENU

Turns on/off the menu in the top panel display.



Selects the menu items.

ENTER

Enters the selection.

BACK

Returns to the previous display.
Stops USB playback.

5 (volume) +*/-

Adjusts the volume.

6 SW (subwoofer volume) +/- (page 22)

Adjusts the volume of bass sound.

7 (muting)

Turns off the sound temporarily.

8 CLEARAUDIO+

Automatically selects the suitable sound setting for the sound source.

9 SOUND FIELD (page 12)

Selects a sound mode.

10 VOICE (page 12)

11 ►||* (play/pause)

Pauses or resumes playback.

12 NIGHT (page 12)

13 ◀◀/▶▶ (previous/next/
rewind/fast forward)

Press to select the previous/next track or file.

Hold down to search backward or forward.

* The ►|| and ◀ + buttons have a tactile dot. Use the tactile dot as a reference when operating the remote control.

Listening

Listening to sound from the connected devices

Press INPUT repeatedly.

When you press INPUT once, the current device appears in the top panel display, then each time you press INPUT, the device changes cyclically as follows.

"TV" → "ANALOG" → "BT" → "USB"

"TV"

Device (TV, etc.) that is connected to the TV IN OPTICAL jack, or a TV compatible with the Audio Return Channel function that is connected to the HDMI OUT TV (ARC) jack


"ANALOG"

Device (Digital media player, etc.) that is connected to the ANALOG IN jack

"BT"

BLUETOOTH device that supports A2DP (page 13)

"USB"

USB device that is connected to the  (USB) port (page 11)

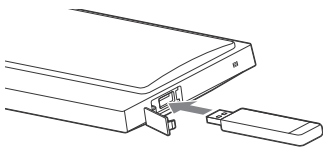
Listening to music from a USB device

You can play music files on a connected USB device.

For playable types of files, see “Playable types of files” (page 28).

1 Connect the USB device to the USB port.

Refer to the operating instructions of the USB device before connecting.



2 Press INPUT repeatedly to select “USB”.

The USB content list appears on the TV screen.

3 Press $\blacktriangleleft/\blacktriangleright$ to select the content you want, then press ENTER.

The selected content starts playing.

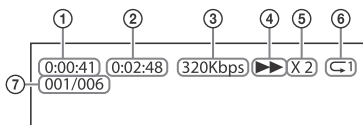
4 Adjust the volume.

- Adjust the volume of Bar Speaker by pressing \blacktriangleleft +/-.
- Adjust the volume of subwoofer by pressing SW \blacktriangleleft +/-.

Note

Do not remove the USB device during operation. To avoid data corruption or damage to the USB device, turn the system off before removing the USB device.

Information of USB device on the TV screen



- ① Playing time
- ② Total playing time
- ③ Bit rate
- ④ Playback status
- ⑤ Rewind/fast forward speed
- ⑥ Repeat play status
- ⑦ Selected file index/Total files in the folder

Notes

- Depending on the source being played, some information may not be displayed.
- Depending on the play mode, the information displayed may be different.

Sound Adjustment

Enjoying sound effects

You can easily enjoy pre-programmed sound fields that are tailored to different kinds of sound sources.

Selecting the sound field

Press **SOUND FIELD** repeatedly until the sound field you want appears in the top panel display.

"CLEARAUDIO+"

You can enjoy the sound with Sony-recommended sound field. Sound field is automatically optimized according to playback content and function.

"MOVIE"

Sounds are played back with surround effects, and they are realistic and powerful, making them suitable for movies.

"MUSIC"

Sound effects are optimized for listening to music.

"SPORTS"

Commentary is clear, cheers are heard as surround-sound, and sounds are realistic.

"GAME"

Sounds are powerful and realistic, suitable for game play.

"STANDARD"

Sound that corresponds to every source.

Tip

You can also press CLEARAUDIO+ to select "CLEARAUDIO+".

Using the Night mode function

This function is useful when watching movies late at night. You will be able to hear the dialog clearly even at a low volume level.

Press **NIGHT** to select "N.ON".

To inactivate the Night mode, press **NIGHT** to select "N.OFF".

Using the Clear Voice function

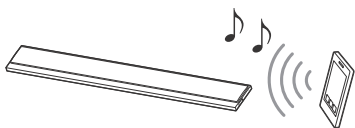
This function helps make dialogs clearer.

Press **VOICE** repeatedly.

- "UP OFF": The Clear Voice function is turned off.
- "UP 1": Dialog range is enhanced.
- "UP 2": Dialog range is enhanced, and the parts of range difficult to be discerned by the elderly are boosted.

BLUETOOTH Functions

Listening to music from a BLUETOOTH device



Pairing this system with a BLUETOOTH device

Pairing is an operation where BLUETOOTH devices register with each other beforehand. Once a pairing operation is performed, it does not need to be performed again.

- 1 Place the BLUETOOTH device within 1 meter (3.3 feet) from the Bar Speaker.
- 2 Press **PAIRING** on the Bar Speaker.
The blue LED indicator on the Bar Speaker flashes quickly during BLUETOOTH pairing.
- 3 Turn on the BLUETOOTH function, and then select "HT-CT390" after searching for it on the BLUETOOTH device.

Perform this step within 5 minutes, otherwise pairing mode may be canceled.

When the BLUETOOTH connection is established, the blue LED indicator lights up.

Notes

- If passkey is required on the BLUETOOTH device, enter "0000". Passkey may be called "Passcode", "PIN code", "PIN number" or "Password".
- You can pair up to 9 BLUETOOTH devices. If the 10th BLUETOOTH device is paired, the least recently connected device will be replaced by the new one.

Listening to music from the paired device

- 1 Turn the BLUETOOTH function of the paired device to on.
- 2 Press **INPUT** repeatedly to select "BT".
The system automatically reconnects to the BLUETOOTH device it was most recently connected to.
When the BLUETOOTH connection is established, the blue LED indicator lights up.
- 3 Start playback on the BLUETOOTH device.
- 4 Adjust the volume.
 - Adjust the volume of the BLUETOOTH device.
 - Adjust the volume of Bar Speaker by pressing \triangle +/-.
 - Adjust the volume of subwoofer by pressing **SW** \triangle +/-.

Notes

- Once the system and the BLUETOOTH device are connected, you can control playback by pressing **▶||** and **◀◀▶▶**.
- You can connect to the system from a paired BLUETOOTH device even when the system in standby mode, if you set the "BTSTB" to "ON" (page 17).
- The audio playback on this system may be delayed from that on the BLUETOOTH device because of the characteristics of the BLUETOOTH wireless technology.

Tip

You can enable or disable codec AAC from BLUETOOTH device (page 17).

To disconnect the BLUETOOTH device

Perform any of the following items.

- Press **PAIRING** on the Bar Speaker again.
- Disable the BLUETOOTH function on the BLUETOOTH device.
- Turn off the system or the BLUETOOTH device.

Connecting to a remote device by One-touch function (NFC)

NFC (Near Field Communication) is a technology enabling short-range wireless communication between various devices.

By holding an NFC-compatible remote device near to the N-Mark on the Bar Speaker, the system and remote device proceed to complete pairing and the BLUETOOTH connection automatically.

Compatible remote devices

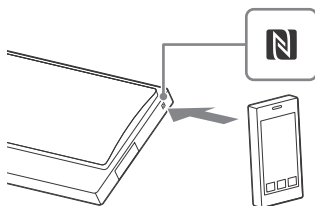
Remote devices with a built-in NFC function
(OS: Android 2.3.3 or later, excluding Android 3.x)

Notes

- The system only can recognize and connect to one NFC-compatible device at a time.
- Depending on your remote device, you may need to perform the following items on your remote device in advance.
 - Turn on the NFC function. For details, refer to the operating instructions of the remote device.

- If your remote device is having an older OS version than Android 4.1.x, download and start the "NFC Easy Connect" application. "NFC Easy Connect" is a free application for Android remote devices that can be obtained from Google Play. (The application may not be available in some countries/regions.)

- 1 Hold the remote device near to the N-Mark on the Bar Speaker until the remote device vibrates.**



Follow the on-screen instructions displayed on the remote device, and complete the procedure for BLUETOOTH connection.

When the BLUETOOTH connection is established, the blue LED indicator on the Bar Speaker lights up.

- 2 Start playback of audio source on the remote device.**

For details on playback operations, refer to the operating instructions of your remote device.

- 3 Adjust the volume.**

- Adjust the volume of the BLUETOOTH device.
- Adjust the volume of Bar Speaker by pressing **▲ +/-**.
- Adjust the volume of subwoofer by pressing **SW ▲ +/-**.

Tip

If pairing and the BLUETOOTH connection fail, do the following.

- Hold the remote device near to the N-Mark on the Bar Speaker again.
- Remove the case from the remote device if using a commercially available remote device case.
- Relaunch “NFC Easy Connect” application.

To stop playback by One-touch function

Hold the remote device near to the N-Mark on the Bar Speaker again.



Controlling the system using a smartphone or tablet (SongPal)

SongPal is a dedicated app for operating SongPal-compatible audio devices manufactured by Sony using a smartphone or tablet. Search for SongPal on Google Play or App Store and download it using your smartphone or tablet.

SongPal allows you to:

- change commonly used settings, selecting the input of the system and adjusting the volume.
- enjoy music content stored on a smartphone with the system.
- enjoy music visually with your smartphone display.

Notes

- SongPal uses the BLUETOOTH function of the system.
- Specifications and display design of SongPal are subject to change without notice.

Using SongPal

- 1** Download free SongPal app to the remote device.
- 2** Connect the system and remote device with the BLUETOOTH connection (page 13).
- 3** Start SongPal.
- 4** Operate by following the SongPal screen.

Using the setup display

You can set the following items with the menu.

Your settings are retained even if you disconnect the AC power cord (mains lead).

- 1** Press **MENU** to turn on the menu in the top panel display.
- 2** Press **BACK/▲/▼/ENTER** repeatedly to select the item and press **ENTER** to select the setting you want.
- 3** Press **MENU** to turn off the menu.

Menu list

The default settings are underlined.

Menu items		Function
"LVL >" (Level)	"ATT" (Attenuation settings - Analog)	Distortion may occur when you listen to a device connected to the ANALOG IN jack. You can prevent distortion by attenuating the input level on the system. <ul style="list-style-type: none"> • <u>"ON"</u>: Attenuates the input level. The output level will decrease at this setting. • <u>"OFF"</u>: Normal input level.
	"DRC" (Dynamic range control)	Useful for enjoying movies at low sound volume. DRC applies to Dolby Digital sources. <ul style="list-style-type: none"> • <u>"ON"</u>: Compresses sound in accordance with the information contained in the content. • <u>"OFF"</u>: Sound is not compressed.
"SPK >" (Speaker)	"PLACE" (Speaker placement)	<ul style="list-style-type: none"> • <u>"STDRD"</u>: Select this setting if you install the Bar Speaker in standard position. • <u>"WALL"</u>: Select this setting if you mount the Bar Speaker on a wall (page 20).
"AUD >" (Audio)	"DUAL" (Dual mono)	You can enjoy multiplex broadcast sound when the system receives a Dolby Digital multiplex broadcast signal. <ul style="list-style-type: none"> • <u>"M/S"</u>: Mixed sound of both the main and sub languages will be output. • <u>"MAIN"</u>: Sound of the main language will be output. • <u>"SUB"</u>: Sound of the sub language will be output.
	"TV AU" (TV audio)	<ul style="list-style-type: none"> • <u>"AUTO"</u>: Select this setting when the system is connected to an HDMI (ARC) jack of a TV with an HDMI cable. • <u>"OPT"</u>: Select this setting when the system is connected to a TV with the optical digital cable.
	"EFT" (Sound effect)	<ul style="list-style-type: none"> • <u>"ON"</u>: The sound of the selected sound field is played. It is recommended to use this setting. • <u>"OFF"</u>: The input source is down-mixed for 2 channels.
	"STRM" (Stream)	Shows the current audio stream information. See page 28 on the supported audio formats.

Menu items	Function	
"HDMI>"	"CTRL" (Control for HDMI)	<ul style="list-style-type: none"> • "ON": The Control for HDMI function is enabled. Devices connected with an HDMI cable can control each other. • "OFF": Off.
	"TVSTB" (Standby Linked to TV)	<p>This function is available when you set "CTRL" to "ON".</p> <ul style="list-style-type: none"> • "AUTO": If the input of the system is "TV", the system turns off automatically when you turn off the TV. • "ON": The system turns off automatically when you turn off the TV regardless of the input. • "OFF": The system does not turn off when you turn off the TV.
	"COLOR" (HDMI color)	<ul style="list-style-type: none"> • "AUTO": Automatically detects the type of external device, and switches to the matching color setting. • "YCBCR": Outputs YCbCr video signals. • "RGB": Outputs RGB video signals.
"BT >" (BLUETOOTH)	"BTAAC" (BLUETOOTH Advanced audio coding)	<p>You can set whether or not the system uses AAC via BLUETOOTH.</p> <ul style="list-style-type: none"> • "ON": Enable AAC codec. • "OFF": Disable AAC codec. <p>Note</p> <p>If you change the "BTAAC" setting when a BLUETOOTH device is connected, the codec setting is only reflected after the next connection.</p>
	"BTSTB" (BLUETOOTH standby)	<p>When the system has pairing information, the system is in BLUETOOTH standby mode even when it is turned off.</p> <ul style="list-style-type: none"> • "ON": BLUETOOTH standby mode is enabled. • "OFF": BLUETOOTH standby mode is disabled.
	"INFO" (BLUETOOTH device information)	<p>The detected BLUETOOTH device name and device address appear in the top panel display.</p> <p>"NO DEVICE" appears if the system is not connected to a BLUETOOTH device.</p>
	"WS >" (Wireless sound)	"LINK" (Secure Link)
"USB >"	"REPT" (Playback mode)	<ul style="list-style-type: none"> • "NONE": Plays back all tracks. • "ONE": Repeats one track. • "FLDER": Repeats all tracks in a folder. • "RANDM": Repeats all tracks in a folder in random order. • "ALL": Repeats all tracks.
"SYS >" (System)	"ASTBY" (Auto standby)	<ul style="list-style-type: none"> • "ON": Turns on the auto standby function. When you do not operate the system for about 20 minutes, the system enters standby mode automatically. • "OFF": Off.
	"VER" (Version)	The current firmware version information appears in the top panel display.

Other Functions

Using the Control for HDMI function

Connecting a device such as a TV or Blu-ray Disc player compatible with the Control for HDMI function* by HDMI cable (High Speed HDMI Cable with Ethernet, not supplied) enables you to easily operate the device by a TV remote control.

The following functions can be used with the Control for HDMI function.

- System Power Off function
- System Audio Control function
- Audio Return Channel
- One-Touch Play function

* Control for HDMI is a standard used by CEC (Consumer Electronics Control) for allowing HDMI (High-Definition Multimedia Interface) devices to control each other.

Note

These functions may work with devices other than those manufactured by Sony, but operation is not guaranteed.

Preparing to use the Control for HDMI function

Set "HDMI>" – "CTRL" on the system to "ON" (page 17). The default setting is "ON".

Enable the Control for HDMI function settings for the TV and other device connected to the system.

Tip

If you enable the Control for HDMI ("BRAVIA" sync) function when using a TV manufactured by Sony, the Control for HDMI function of the system is also enabled automatically. When settings are completed, "DONE" appears in the top panel display.

System Power Off function

When you turn off the TV, the system will turn off automatically. Set "HDMI>" – "TVSTB" on the system to "ON" or "AUTO" (page 17). The default setting is "AUTO".

System Audio Control function

If you turn on the system while you are watching the TV, the TV sound will be output from the speakers of the system. The volume of the system can be adjusted using the TV's remote control. If the TV sound was output from the speakers of the system the previous time you watched the TV, the system will be turned on automatically when you turn on the TV again. Operations can also be made by the TV's menu. For details, refer to the operating instructions of your TV.

Notes

- Sound is only output from the TV if other than "TV" input is selected when using the Twin Picture function on the TV. When you disable the Twin Picture function, the sound is output from the system.
- The system's volume level is displayed on the TV screen depending on the TV. It may differ from the volume level on the top panel display.
- Depending on the settings of the TV, the System Audio Control function may not be available. For details, refer to the operating instructions of your TV.

Audio Return Channel

If the system is connected to a TV's HDMI IN jack compatible with Audio Return Channel, you can listen to TV sound from the speakers of the system without connecting an optical digital cable.

On the system, set "AUD >" – "TV AU" to "AUTO" (page 16). The default setting is "AUTO".

Note

If the TV is not compatible with Audio Return Channel, an optical digital cable needs to be connected (Refer to the supplied Startup Guide).

One-Touch Play function

When you play content on a device (Blu-ray Disc player, "PlayStation®4", etc.) connected to the TV, the system and TV are turned on automatically, the input of the system is switched to the input for the TV, and sound is output from the speakers of the system.

Notes

- If the TV sound was output from the speakers of the TV the previous time you watched the TV, the system does not turn on and the sound and picture are output from the TV even if device content is played.
- Depending on the TV, the beginning part of content being played may not play correctly.

Using the "BRAVIA" Sync function

In addition to the Control for HDMI function, you can also use the following function on devices compatible with the "BRAVIA" sync function.

- Scene Select function

Note

This function is proprietary function of Sony. This function cannot operate with products other than those manufactured by Sony.

Scene Select function

The sound field of the system is automatically switched according to the TV's Scene Select or Sound Mode function settings. For details, refer to the operating instructions of your TV. Set the sound field to "CLEARAUDIO+" (page 12).

Notes on HDMI connections

- Use a High Speed HDMI cable. If you use a Standard HDMI cable, 1080p content may not be displayed properly.
- Use an HDMI-authorized cable. Use a Sony High Speed HDMI cable with the Cable Type Logo.
- We do not recommend using an HDMI-DVI conversion cable.
- Check the setup of the connected equipment if an image is poor or the sound does not come out of the equipment connected via the HDMI cable.
- Audio signals (sampling frequency, bit length, etc.) transmitted from an HDMI jack may be suppressed by the connected equipment.

- Sound may be interrupted when the sampling frequency or the number of channels of audio output signals from the playback equipment is switched.
- If the connected equipment is not compatible with copyright-protection technology (HDCP), the image and/or the sound from the HDMI OUT jack of this system may be distorted or may not be output. In such a case, check the specifications of the connected equipment.

- Sony shall not be held responsible for accidents or damage caused by improper installation, insufficient wall strength, improper screw installation or natural calamity, etc.

Saving power in standby mode

Check that you have made the following settings:

- "CTRL" in "HDMI>" is set to "OFF" (page 17).
- "BTSTB" in "BT >" is set to "OFF" (page 17).

Mounting the Bar Speaker on a wall

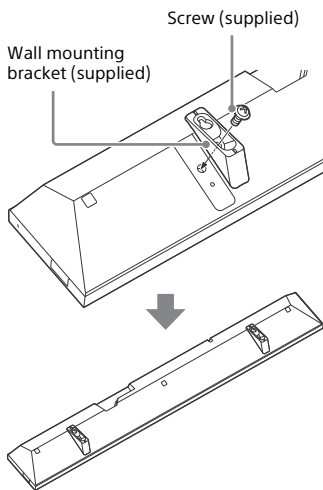
You can mount the Bar Speaker on a wall.

Notes

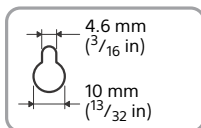
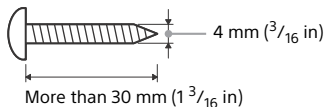
- Prepare screws (not supplied) that are suitable for the wall material and strength. As a plasterboard wall is especially fragile, attach the screws securely to two studs in the wall beam. Install the Bar Speaker horizontally, hung by screws in studs in a continuous flat section of the wall.
- Be sure to subcontract the installation to Sony dealers or licensed contractors and pay special attention to safety during the installation.

- 1 Fix the supplied wall mounting brackets to the bracket fixing holes on the bottom of the Bar Speaker with the supplied screws so that the surface of each wall mounting bracket is as shown in the illustration.**

Fix the two wall mounting brackets to the left and right fixing holes on the bottom of the Bar Speaker.



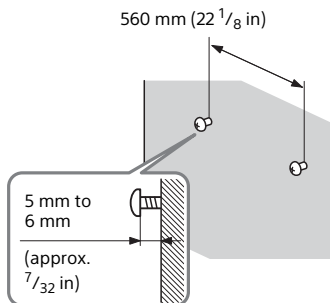
- 2 Prepare screws (not supplied) that are suitable for the holes in the brackets.**



Hole in the bracket

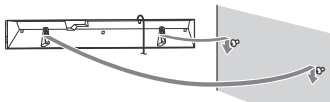
- 3 Fasten the screws to 2 studs in the wall.**

The screws should protrude by 5 mm to 6 mm (approx. $\frac{7}{32}$ in).



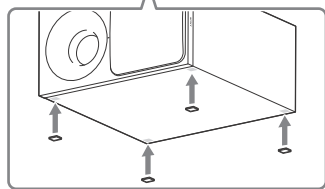
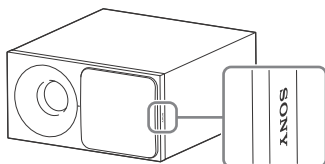
- 4 Hang the Bar Speaker on the screws.**

Align the holes in the brackets with the screws, then hang the Bar Speaker on the two screws.



Installing the subwoofer horizontally

Place the subwoofer on the right side with the "SONY" logo facing front.



Attach the supplied speaker pads.

Activating wireless transmission between specific units (Secure Link)

You can specify the wireless connection to link the Bar Speaker to the subwoofer using the Secure Link function. This function can help prevent interference if you use multiple wireless products or your neighbors use wireless products.

- 1** Press **MENU**.
- 2** Press **▲/▼** to select "**WS >**", then press **ENTER**.

- 3** When "LINK" appears in the top panel display, press ENTER.
- 4** Press $\blacktriangle/\blacktriangledown$ to select "ON", then press ENTER.
- 5** When "START" appears in the top panel display, press ENTER. "*****" appears, and the Bar Speaker searches for a device that can be used with Link. Proceed to the next step within 2 minutes.
- 6** Press LINK on the subwoofer. The power indicator on the subwoofer flashes in orange.
- 7** When "DONE" appears in the top panel display, press ENTER. The subwoofer is linked to the Bar Speaker and the power indicator on the subwoofer turns orange. If "FAIL" appears, check to ensure the subwoofer is turned on and press BACK to perform the process again from step 3.
- 8** Press MENU. The menu turns off.

Adjusting the volume of subwoofer

The subwoofer is designed for playback of bass or low frequency sound.

Press SW \blacktriangle +/- to adjust the volume of subwoofer.

Note

When the input source does not contain much of bass sound, such as in TV programs, the sound from the subwoofer may be difficult to hear.

Additional Information

Precautions

On safety

- Should any solid object or liquid fall into the system, unplug the system and have it checked by qualified personnel before operating it any further.
- Do not touch the AC power cord (mains lead) with wet hands. Doing so may cause an electric shock.
- Do not climb on the Bar Speaker and subwoofer, as you may fall down and injure yourself, or system damage may result.

On power sources

- Before operating the system, check that the operating voltage is identical to your local power supply. The operating voltage is indicated on the nameplate on the bottom of the Bar Speaker.
- If you are not going to use the system for a long time, be sure to disconnect the system from the wall outlet (mains). To disconnect the AC power cord (mains lead), grasp the plug itself; never pull the cord.
- One blade of the plug is wider than the other for the purpose of safety and will fit into the wall outlet (mains) only one way. If you are unable to insert the plug fully into the outlet, contact your dealer.
- AC power cord (mains lead) must be changed only at a qualified service shop.

On heat buildup

Although the system heats up during operation, this is not a malfunction. If you continuously use this system at high volume, the system temperature at the rear and bottom rises considerably. To avoid burning yourself, do not touch the system.

On placement

- Place the system in a location with adequate ventilation to prevent heat buildup and prolong the life of the system.
- Do not place the system near heat sources or in a place subject to direct sunlight, excessive dust, or mechanical shock.
- Do not place anything at the rear of the Bar Speaker and subwoofer that might block the ventilation holes and cause malfunctions.
- If the system is being used in combination with a TV, VCR, or tape deck, noise may result and picture quality may suffer. In such a case, place the system away from the TV, VCR, or tape deck.
- Use caution when placing the system on a surface that has been specially treated (with wax, oil, polish, etc.), as staining or discoloration of the surface may result.
- Take care to avoid any possible injury from the corners of the Bar Speaker and subwoofer.
- Keep 3 cm (1 ³/₁₆ in) or more space under the Bar Speaker when you hang it on a wall.

On operation

Before connecting other equipment, be sure to turn off and unplug the system.

If you encounter color irregularity on a nearby TV screen

Color irregularities may be observed on certain types of TV.

- If color irregularity is observed...
Turn off the TV, then turn it on again after 15 to 30 minutes.
- If color irregularity is observed again...
Place the system further away from the TV.

On cleaning

Clean the system with a soft, dry cloth. Do not use any type of abrasive pad, scouring powder, or solvent such as alcohol or benzene.

If you have any question or problem concerning your system, please consult your nearest Sony dealer.

Troubleshooting

If you experience any of the following difficulties while using the system, use this troubleshooting guide to help remedy the problem before requesting repairs. Should any problem persist, consult your nearest Sony dealer.

General

The power does not turn on.

- Check that the AC power cord (mains lead) is connected securely.

The system does not work normally.

- Disconnect the AC power cord (mains lead) from the wall outlet (mains), then reconnect after several minutes.

The system is turned off automatically.

- The auto standby function is working. Set "ASTBY" in "SYS >" to "OFF" (page 17).

The system does not turn on even when the TV is turned on.

- Set "HDMI->" - "CTRL" to "ON" (page 17). The TV must support the Control for HDMI function (page 18). For details, refer to the operating instructions of your TV.
- Check the speaker settings of the TV. The system power syncs with the speaker settings of the TV. For details, refer to the operating instructions of your TV.
- If the sound was output from the speakers of the TV the previous time, the system does not turn on even when the TV is turned on.

The system turns off when the TV is turned off.

- Check the setting of "HDMI>" - "TVSTB" (page 17). When "TVSTB" is set to "ON", the system turns off automatically when you turn off the TV regardless of the input.

The system does not turn off even when the TV is turned off.

- Check the setting of "HDMI>" - "TVSTB" (page 17). To turn the system off automatically regardless of the input when you turn off the TV, set "TVSTB" to "ON". The TV must support the Control for HDMI function (page 18). For details, refer to the operating instructions of your TV.

Sound

No TV sound is output from the system.




- Check the type and connection of the HDMI cable, optical digital cable, or analog audio cable that is connected to the system and the TV (refer to the supplied Startup Guide).
- If your TV is compatible with Audio Return Channel, make sure the system is connected to an ARC-compatible HDMI input jack of the TV (refer to the supplied Startup Guide). If sound is still not output or if sound is interrupted, connect the supplied optical digital cable and set "AUD >" - "TV AU" to "OPT" (page 16).
- If your TV is not compatible with Audio Return Channel, TV sound will not be output from the system even if the system is connected to the TV's HDMI input jack. To output TV sound from the system, connect the supplied optical digital cable (refer to the supplied Startup Guide).

- If sound is not output from the system even if the system and TV are connected by optical digital cable or if the TV does not have an optical digital sound output jack, connect an analog audio cable (not supplied) and switch input of the system to "ANALOG" (page 10).
- Switch input of the system to "TV" (page 10).
- Increase the volume on the system or cancel muting.
- Depending on the order in which you connect the TV and the system, the system may be muted and "MUTING" is displayed in the top panel display of the system. If this happens, turn on the TV first, then the system.
- Set the speakers setting of the TV (BRAVIA) to Audio System. Refer to the operating instructions of your TV regarding how to set the TV.


The sound is output from both the system and the TV.

- Mute the sound of the system or the TV.

No sound or only a very low-level sound of the device connected to the Bar Speaker is heard from the Bar Speaker.

- Press  + and check the volume level (page 9).
- Press  or  + to cancel the muting function (page 9).
- Make sure the input source is selected correctly. You should try other input sources by pressing INPUT repeatedly (page 10).
- Check that all the cables and cords of the system and the connected device are firmly inserted.

No sound or only a very low-level sound is heard from the subwoofer.

- Press SW  + to increase the subwoofer volume (page 9).


- Make sure that the power indicator on the subwoofer is lit in green. If not, refer to “No sound is heard from the subwoofer.” in “Subwoofer wireless sound” (page 26).
- A subwoofer is for reproducing bass sound. In the case of input sources that contain very little bass sound components (i.e., a TV broadcast), the sound from the subwoofer may be difficult to hear.
- When you play content compatible with copyright protection technology (HDCP), it is not output from the subwoofer.

The surround effect cannot be obtained.

- Depending on the input signal and the sound field setting, surround sound processing may not work effectively. The surround effect may be subtle, depending on the program or disc.
- To play multi channel audio, check the digital audio output setting on the device connected to the system. For details, refer to the operating instructions supplied with the connected device.

USB device

The USB device is not recognized.

- Try the following:
 - ① Turn the system off.
 - ② Remove and reconnect the USB device.
 - ③ Turn the system on.
- Make sure that the USB device is securely connected to the  (USB) port.
- Check if the USB device or a cable is damaged.
- Check if the USB device is on.

- If the USB device is connected via a USB hub, disconnect it and connect the USB device directly to the Bar Speaker.

BLUETOOTH device

BLUETOOTH connection cannot be completed.

- Make sure that the blue LED indicator is lit (page 7).
- Make sure the BLUETOOTH device to be connected is turned on and the BLUETOOTH function is enabled.
- Move the BLUETOOTH device closer to the Bar Speaker.
- Pair this system and the BLUETOOTH device again. You may need to cancel the pairing with this system using your BLUETOOTH device first.

Pairing cannot be done.

- Move the BLUETOOTH device closer to the Bar Speaker.
- Make sure this system is not receiving interference from a wireless LAN equipment, other 2.4 GHz wireless devices, or a microwave oven. If a device that generates electromagnetic radiation is nearby, move the device away from this system.
- Pairing may not be possible if other BLUETOOTH devices are present around the Bar Speaker. In this case, turn off the other BLUETOOTH devices.

No sound is output from the connected BLUETOOTH device.

- Make sure that the blue LED indicator is lit (page 7).
- Move the BLUETOOTH device closer to the Bar Speaker.


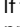
- If a device that generates electromagnetic radiation, such as a wireless LAN equipment, other BLUETOOTH devices, or a microwave oven is nearby, move the device away from this system.
- Remove any obstacle between this system and the BLUETOOTH device or move this system away from the obstacle.
- Reposition the connected BLUETOOTH device.
- Try changing the wireless frequency of the Wi-Fi router, computer, etc. to 5 GHz band.
- Increase the volume on the connected BLUETOOTH device.


The sound is not in sync with the image.

- When you are watching movies, you may hear the sound with a slight delay from the image.

Subwoofer wireless sound

No sound is heard from the subwoofer.

- The power indicator does not light up.
 - Check that the AC power cord (mains lead) of the subwoofer is connected properly.
 - Press  on the subwoofer to turn on the power.
- The power indicator flashes slowly in green or lights up in red.
 - Move the subwoofer to a location near the Bar Speaker so that the power indicator lights up in green.
 - Follow the steps in "Activating wireless transmission between specific units (Secure Link)" (page 21).
- If the power indicator flashes in red, press  on the subwoofer to turn off the power and check whether the ventilation opening of the subwoofer is blocked or not.

- The subwoofer is designed for playback of bass sound. When the input source does not contain much of bass sound, as is the case with most TV programs, the bass sound may not be audible.
- Press SW  + to increase the volume of the subwoofer (page 22).

Sound skips or has noise.

- If there is a device nearby that generates electromagnetic waves like a wireless LAN or a microwave oven in use, locate the system apart from it.
- If there is an obstacle between the Bar Speaker and the subwoofer, move or remove it.
- Locate the Bar Speaker and the subwoofer as close as possible.
- Switch the wireless LAN frequency of any nearby Wi-Fi router or personal computer to 5 GHz band.
- Switch the TV, Blu-ray Disc player, etc. from wireless LAN to wired LAN.

Remote control

The remote control does not function.

- Point the remote control at the remote control sensor on the Bar Speaker (page 7).
- Remove any obstacles in the path between the remote control and the Bar Speaker.
- Replace both batteries in the remote control with new ones, if they are weak.
- Make sure you are pressing the correct button on the remote control.

The TV remote control does not work.


- Install the Bar Speaker so that it does not obstruct the remote control sensor of the TV.

Others

The Control for HDMI function does not work properly.

- Check the connection with the system (refer to the supplied Startup Guide).
- Enable the Control for HDMI function on the TV. For details, refer to the operating instructions of your TV.
- Wait a while, and then try again. If you unplug the system, it will take a while before operations can be made. Wait for 15 seconds or longer, and then try again.
- Make sure the devices connected to the system support the Control for HDMI function.
- Enable the Control for HDMI function on the devices connected to the system. For details, refer to the operating instructions of your device.
- The type and number of devices that can be controlled by the Control for HDMI function is restricted by the HDMI CEC standard as follows:
 - Recording devices (Blu-ray Disc recorder, DVD recorder, etc.): up to 3 devices
 - Playback devices (Blu-ray Disc Player, DVD player, etc.): up to 3 devices
 - Tuner-related devices: up to 4 devices
 - Audio system (receiver/headphone): up to 1 device (used by this system)

If "PRTCT" appears in the top panel display of the Bar Speaker.

- Press  to turn off the system. After the display turns off, disconnect the AC power cord (mains lead) then check that nothing is blocking the ventilation holes of the Bar Speaker.

The top panel display of the Bar Speaker is not lit.



- Press DIMMER to set the brightness to "BRIGHT" or "DARK", if set to "OFF" (page 9).

Sensors of the TV do not work properly.

- The Bar Speaker may block some sensors (such as the brightness sensor) and the remote control receiver of your TV, or the "emitter for 3D glasses (infrared transmission)" of a 3D TV that supports the infrared 3D glass system or the wireless communication. Move the Bar Speaker away from the TV within a range that allow those parts to operate properly. For the locations of the sensors and remote control receiver, refer to the operating instructions supplied with the TV.

Reset

If the system still does not operate properly, reset the system as follows. Be sure to use the touch keys on the Bar Speaker to perform this operation.

- 1 While holding INPUT, touch VOL – and  simultaneously for 5 seconds.**
"RESET" appears in the top panel display, and the settings of the menu and sound fields, etc. return to their initial status.
- 2 Disconnect the AC power cord (mains lead).**
- 3 Connect the AC power cord (mains lead), then press  to turn on the system.**
- 4 Link the system to the subwoofer (page 21).**

Playable types of files

Codec	Extension
MP3 (MPEG-1 Audio Layer III)	.mp3
AAC	.m4a
WMA9 Standard	.wma
LPCM	.wav

Notes

- Some files may not play depending on the file format, the file encoding, or the recording condition.
- Some files edited on a PC may not play.
- The system does not play coded files such as DRM and Lossless.
- The system can recognize the following files or folders in USB devices:
 - up to 200 folders
 - up to 150 files/folders in a single layer
- Some USB devices may not work with this system.
- The system can recognize Mass Storage Class (MSC) devices.

Supported audio formats

Audio formats supported by this system are as follows.

- Dolby Digital
- DTS
- LPCM 2ch
- AAC

Specifications

Bar Speaker (SA-CT390)

Amplifier section

USA models:

POWER OUTPUT AND TOTAL HARMONIC DISTORTION:
(FTC)

Front L + Front R:

With 4 ohms loads, both channels driven, from 200 Hz – 20,000 Hz; rated 35 watts per channel minimum RMS power, with no more than 1% total harmonic distortion from 250 milliwatts to rated output.

POWER OUTPUT (reference)

Front L/Front R: 100 W (per channel at 4 ohms, 1 kHz)

Canadian models:

POWER OUTPUT (rated)

Front L + Front R:

50 W + 50 W (at 4 ohms, 1 kHz, 1% THD)

POWER OUTPUT (reference)

Front L/Front R: 100 W (per channel at 4 ohms, 1 kHz)

Inputs

USB
ANALOG IN
TV IN OPTICAL

Output

HDMI OUT TV (ARC)

HDMI section

Connector

Type A (19pin)

USB section

⚡ (USB) port

Type A

BLUETOOTH section

Communication system

BLUETOOTH Specification version 4.2

Output

BLUETOOTH Specification Power Class 1

Maximum communication range

Line of sight approx. 25 m (82 ft)¹⁾

- Frequency band
 - 2.4 GHz band (2.4000 GHz – 2.4835 GHz)
- Modulation method
 - FHSS (Freq Hopping Spread Spectrum)
- Compatible BLUETOOTH profiles²⁾
 - A2DP 1.2 (Advanced Audio Distribution Profile)
 - AVRCP 1.6 (Audio Video Remote Control Profile)
- Supported Codecs³⁾
 - SBC⁴⁾, AAC⁵⁾
- Transmission range (A2DP)
 - 20 Hz – 20,000 Hz (Sampling frequency 32 kHz, 44.1 kHz, 48 kHz)

- ¹⁾ The actual range will vary depending on factors such as obstacles between devices, magnetic fields around a microwave oven, static electricity, cordless phone, reception sensitivity, antenna's performance, operating system, software application, etc.
- ²⁾ BLUETOOTH standard profiles indicate the purpose of BLUETOOTH communication between devices.
- ³⁾ Codec: Audio signal compression and conversion format
- ⁴⁾ Subband Codec
- ⁵⁾ Advanced Audio Coding

Front L/Front R speaker section

- Speaker system
 - Full range speaker system, Acoustic suspension
- Speaker
 - 60 mm (2³/₈ in) cone type

General

- Power requirements
 - 120 V AC, 60 Hz
- Power consumption
 - On: 45 W
 - Standby: 0.5 W or less (Power saving mode)
 - (When "CTRL" in "HDMI>" and "BTSTB" in "BT >" are set to "OFF")
 - Standby: 2.8 W or less⁶⁾
 - (When "CTRL" in "HDMI>" or "BTSTB" in "BT >" is set to "ON")

- Dimensions (w/h/d) (approx.)
 - 900 mm × 52 mm × 121 mm (35¹/₂ in × 2¹/₈ in × 4⁷/₈ in) (without wall mounting brackets)
 - 900 mm × 121 mm × 59 mm (35¹/₂ in × 4⁷/₈ in × 2³/₈ in) (with wall mounting brackets)
- Mass (approx.)
 - 2.2 kg (4 lb 14 oz)

- ⁶⁾ The system will automatically enter Power saving mode when there is no HDMI connection and no BLUETOOTH pairing history, regardless of the settings you have made for "CTRL" in "HDMI>" and "BTSTB" in "BT >".

Subwoofer (SA-WCT390)

- POWER OUTPUT (reference)
 - 100 W (per channel at 4 ohms, 100 Hz)
- Speaker system
 - Subwoofer system, Bass reflex
- Speaker
 - 130 mm (5¹/₈ in) cone type
- Power requirements
 - 120 V AC, 60 Hz
- Power consumption
 - On: 20 W
 - Standby: 0.5 W or less
- Dimensions (w/h/d) (approx.)
 - 170 mm × 342 mm × 362 mm (6³/₄ in × 13¹/₂ in × 14³/₈ in) (vertical installation)
 - 342 mm × 172 mm × 362 mm (13¹/₂ in × 6⁷/₈ in × 14³/₈ in) (horizontal installation)
- Mass (approx.)
 - 6.5 kg (14 lb 6 oz)

Wireless transmitter/receiver section

- Frequency band
 - 2.4 GHz (2.4000 GHz – 2.4835 GHz)
- Modulation method
 - FHSS (Freq Hopping Spread Spectrum)

Design and specifications are subject to change without notice.

On BLUETOOTH communication

- BLUETOOTH devices should be used within approximately 10 meters (33 feet) (unobstructed distance) of each other. The effective communication range may become shorter under the following conditions.
 - When a person, metal object, wall or other obstruction is between the devices with a BLUETOOTH connection
 - Locations where a wireless LAN is installed
 - Around microwave ovens that are in use
 - Locations where other electromagnetic waves occur
- BLUETOOTH devices and wireless LAN (IEEE 802.11b/g) use the same frequency band (2.4 GHz). When using your BLUETOOTH device near a device with wireless LAN capability, electromagnetic interference may occur. This could result in lower data transfer rates, noise, or inability to connect. If this happens, try the following remedies:
 - Use this system at least 10 meters (33 feet) away from the wireless LAN device.
 - Turn off the power to the wireless LAN device when using your BLUETOOTH device within 10 meters (33 feet).
 - Install this system and BLUETOOTH device as close to each other as possible.
- The radio waves broadcast by this system may interfere with the operation of some medical devices. Since this interference may result in malfunction, always turn off the power on this system and BLUETOOTH device in the following locations:
 - In hospitals, on trains, in airplanes, at gas stations, and any place where flammable gasses may be present
 - Near automatic doors or fire alarms
- This system supports security functions that comply with the BLUETOOTH specification to ensure secure connection during communication using BLUETOOTH technology. However, this security may be insufficient depending on the setting contents and other factors, so always be careful when performing communication using BLUETOOTH technology.
- Sony cannot be held liable in any way for damages or other loss resulting from information leaks during communication using BLUETOOTH technology.
- BLUETOOTH communication is not necessarily guaranteed with all BLUETOOTH devices that have the same profile as this system.
- BLUETOOTH devices connected with this system must comply with the BLUETOOTH specification prescribed by the Bluetooth SIG, Inc., and must be certified to comply. However, even when a device complies with the BLUETOOTH specification, there may be cases where the characteristics or specifications of the BLUETOOTH device make it impossible to connect, or may result in different control methods, display or operation.
- Noise may occur or the audio may cut off depending on the BLUETOOTH device connected with this system, the communications environment, or surrounding conditions.

Pour les clients aux États-Unis

Enregistrement du propriétaire

Les numéros de modèle et de série sont situés dessous la barre de haut-parleurs. Reportez ces numéros dans l'espace fourni ci-dessous. Reportez-vous à ces numéros lorsque vous appelez votre fournisseur Sony pour ce produit.

N° de modèle _____

N° de série _____

AVERTISSEMENT

Pour réduire le risque d'incendie ou d'électrocution, n'exposez pas cet appareil à la pluie ou à l'humidité.

Pour réduire le risque d'incendie, n'obstruez pas l'orifice de ventilation de l'appareil avec un journal, une nappe, une tenture, etc.

N'exposez pas l'appareil à une source de flamme nue (notamment une bougie allumée).

Pour réduire le risque d'incendie ou d'électrocution, n'exposez pas cet appareil à un écoulement d'eau ou à des éclaboussures, et ne placez pas d'objets remplis de liquides, notamment des vases, sur l'appareil.

N'installez pas l'appareil dans un espace confiné, comme dans une bibliothèque ou un meuble encastré.

N'exposez pas les piles ou un appareil contenant des piles à une chaleur excessive, notamment aux rayons du soleil ou au feu.

Pour éviter de vous blesser, cet appareil doit être convenablement placé sur le meuble ou fixé au sol/mur selon les instructions d'installation.

Pour utilisation en intérieur uniquement.

Sources d'alimentation

- L'unité n'est pas déconnectée du secteur tant qu'elle reste branchée à la prise de courant, même si l'unité proprement dite a été mise hors tension.
- Comme la prise secteur sert à déconnecter l'unité du secteur, connectez l'unité à une prise de courant facilement accessible. Si vous constatez une anomalie sur l'unité, débranchez immédiatement la prise secteur de la prise de courant.

Pour la barre de haut-parleurs

La plaque signalétique et la date de fabrication sont situées sous l'appareil.

Pour les clients aux États-Unis



Les marques d'attention se trouvent sous le dessous du boîtier (pour la barre de haut-parleurs).



Ce symbole avertit l'utilisateur de la présence d'une « tension dangereuse » non isolée dans le boîtier du produit qui peut être suffisamment importante pour constituer un risque d'électrocution des personnes.



Ce symbole avertit l'utilisateur de la présence d'instructions d'utilisation et de maintenance (entretien) importants dans les documents fournis avec l'appareil.

Des câbles et connecteurs correctement isolés et mis à la terre doivent être utilisés pour la connexion d'ordinateurs hôtes et/ou de périphérique, en conformité avec les limites d'émission FCC.

REMARQUE :

Cet équipement a été testé et déclaré conforme aux limitations d'un appareil numérique de Classe B, selon la partie 15 de la Réglementation FCC. Ces limitations sont conçues pour offrir une protection raisonnable contre des interférences nuisibles dans une installation résidentielle. Cet équipement génère, utilise et peut émettre une énergie de fréquence radio et, s'il n'est pas installé et utilisé conformément aux instructions, il peut causer des interférences nuisibles aux communications radio.

Cependant, il n'y a aucune garantie que ces interférences ne se produisent pas dans une installation particulière. Si cet équipement cause des interférences nuisibles avec la réception radio ou de télévision, ce qui peut être constaté en allumant et éteignant l'équipement, l'utilisateur est encouragé à corriger ces interférences en effectuant l'une ou plusieurs des mesures suivantes :

- Réorientez ou replacez l'antenne de réception.
- Augmentez la distance séparant l'équipement du récepteur.
- Connectez l'équipement sur une prise d'un circuit différent de celui où lequel le récepteur est connecté.
- Consultez le fournisseur ou un technicien qualifié radio/TV pour obtenir de l'aide.

ATTENTION

Vous êtes informé que tout changement ou modification non expressément approuvé dans ce manuel peut annuler votre droit d'utilisation de cet équipement.

Cet équipement ne doit pas être situé à proximité ou utilisé avec une autre antenne ou un autre transmetteur.

Cet équipement est conforme aux limites d'exposition aux radiations FCC mises en places pour un environnement non contrôlé et respecte les Directives d'exposition aux fréquences radio (RF) de la FCC. Cet équipement émet une énergie RF très faible qui est considérée conforme sans évaluation de l'exposition maximale permise (EMP).

Instructions de sécurité importantes

- 1) Veuillez lire ces instructions.
- 2) Conservez ces instructions.
- 3) Tenez compte de tous les avertissements.
- 4) Suivez toutes les instructions.
- 5) N'utilisez pas cet appareil près de l'eau.
- 6) Nettoyez l'appareil uniquement avec un chiffon sec.
- 7) Ne bloquez pas les orifices de ventilation. Installez l'appareil en respectant les instructions du fabricant.
- 8) N'installez pas l'appareil près de sources de chaleur, notamment un radiateur, un appareil de chauffage, un réchaud ou autre appareil (y compris amplificateurs) produisant de la chaleur.
- 9) N'empêchez pas les fins de sécurité de la prise polarisée ou avec mise à la terre. Une prise polarisée dispose de deux fiches, l'une plus grande que l'autre. Une prise avec mise à la terre dispose de deux fiches et une troisième broche de mise à la terre. La fiche longue ou la troisième broche de mise à la terre sont présentes pour votre sécurité. Si la prise fournie de rentre pas dans votre prise de courant, consultez un technicien pour qu'il remplace la prise de courant obsolète.

- 10) Protégez le cordon d'alimentation pour ne pas marcher dessus ni le pincer, en particulier au niveau de la prise, des multi-prises et au point de sortie de l'appareil.
- 11) N'utilisez que les pièces/accessoires spécifiés par le fabricant.
- 12) N'utilisez l'appareil qu'avec la charrette, le stand, le trépied, le socle ou la table spécifiés par le fabricant, ou vendus avec l'appareil. Lors de l'utilisation d'une charrette, faites attention lors du déplacement de l'ensemble charrette/appareil pour éviter toute blessure par renversement.



- 13) Débranchez l'appareil pendant les orages ou lorsqu'il est inutilisé pendant une longue période.
- 14) Consulter des techniciens d'entretien qualifiés pour tout entretien de l'appareil. L'entretien est nécessaire lorsque l'appareil a été endommagé, notamment si le cordon d'alimentation ou la prise est endommagée, si du liquide s'est renversé ou si des objets sont tombés sur l'appareil, s'il a été exposé à la pluie ou à l'humidité, s'il ne fonctionne pas normalement ou s'il est tombé.

Pour les clients au Canada

Des câbles et connecteurs correctement isolés et mis à la terre doivent être utilisés pour la connexion d'ordinateurs hôtes et/ou de périphérique.

Le présent appareil est conforme aux CNR d'Industrie Canada applicables aux appareils radio exempts de licence. L'exploitation est autorisée aux deux conditions suivantes :

- (1) l'appareil ne doit pas produire de brouillage;
- (2) l'utilisateur de l'appareil doit accepter tout brouillage radioélectrique subi, même si le brouillage est susceptible d'en compromettre le fonctionnement.

Cet équipement est conforme aux limites d'exposition aux rayonnements énoncées pour un environnement non contrôlé et respecte les règles d'exposition aux fréquences radioélectriques (RF) CNR-102 de l'IC. Cet équipement émet une énergie RF très faible qui est considérée comme conforme sans évaluation de l'exposition maximale autorisée. Cependant, cet équipement doit être installé et utilisé en gardant une distance de 20 cm ou plus entre le dispositif rayonnant et le corps.

Droits d'auteur et marques commerciales

- Ce système intègre Dolby* Digital et DTS** Digital Surround System.
 - * Fabriqué sous licence de Dolby Laboratories. Dolby et le symbole double-D sont des marques déposées de Dolby Laboratories.
 - ** Pour les brevets DTS, voir <http://patents.dts.com>. Fabriqué sous licence de DTS Licensing Limited. DTS, le symbole, ainsi que DTS et le symbole utilisés ensemble sont des marques déposées et DTS Digital Surround est une marque commerciale de DTS, Inc. © DTS, Inc. Tous droits réservés.

- Le mot et les logos BLUETOOTH® sont des marques déposées de Bluetooth SIG, Inc. et toute utilisation de ces marques par Sony Corporation est sous licence. Les autres marques commerciales et noms de marques appartiennent à leurs propriétaires respectifs.
- Le système intègre la technologie High-Definition Multimedia Interface (HDMI™). Les termes HDMI et HDMI High-Definition Multimedia Interface et le logo HDMI sont des marques commerciales ou des marques déposées de HDMI Licensing LLC aux États-Unis et dans d'autres pays.
- La N-Mark est une marque commerciale ou une marque déposée de NFC Forum, Inc. aux États-Unis et dans d'autres pays.
- Android™ est une marque de commerce de Google Inc.
- Google Play™ est une marque de commerce de Google Inc.
- « BRAVIA » est une marque commerciale de Sony Corporation.
- « PlayStation » est une marque déposée de Sony Computer Entertainment Inc.
- Technologie de codage audio et brevets MPEG Layer-3 sous licence Fraunhofer IIS et Thomson.
- Windows Media est une marque déposée ou une marque commerciale de Microsoft Corporation aux États-Unis et/ou dans d'autres pays.
- Ce produit est protégé par des droits de propriété intellectuelle de Microsoft Corporation. Il est interdit d'utiliser ou de distribuer cette technologie hors de ce produit sans disposer d'une licence appropriée de Microsoft ou d'une filiale de Microsoft autorisée.
- « ClearAudio+ » est une marque commerciale de Sony Corporation.

- Apple, le logo Apple, iPhone, iPod, iPod touch et Retina sont des marques commerciales de Apple Inc., déposées aux États-Unis et dans d'autres pays. App Store est une marque de service d'Apple Inc.

« Made for iPod » et « Made for iPhone » signifient qu'un accessoire électronique a été conçu pour être connecté spécifiquement à un iPod ou un iPhone, et qu'il a été certifié par le développeur comme étant conforme aux normes de performances Apple. Apple n'est pas responsable du bon fonctionnement de cet appareil ni de sa conformité aux normes réglementaires et de sécurité. Veuillez noter que l'utilisation de cet accessoire avec un iPod ou un iPhone peut affecter les performances des transmissions sans fil.

Modèles iPod/iPhone compatibles

Les modèles iPod/iPhone compatibles sont les suivants. Mettez à jour votre iPod/iPhone avec le logiciel le plus récent avant de l'utiliser avec le système.

La technologie BLUETOOTH fonctionne avec :

- iPhone 6s Plus/iPhone 6s/
iPhone 6 Plus/iPhone 6/iPhone 5s/
iPhone 5c/iPhone 5
- iPod touch (6ème génération)/
iPod touch (5ème génération)
- Les autres noms de systèmes et de produits sont généralement des marques commerciales ou des marques déposées des fabricants. Les marques ™ et ® ne sont pas indiquées dans ce document.

À propos de ce Mode d'emploi

- Les instructions contenues dans le présent Mode d'emploi décrivent les commandes de la télécommande. Vous pouvez également utiliser les commandes de la barre de haut-parleurs, si elles portent le même nom ou un nom analogue à celles de la télécommande.
- Certaines illustrations sont des dessins conceptuels qui peuvent être différents des produits effectivement commercialisés.
- Le réglage par défaut est souligné.
- Le texte situé entre deux guillemets (« -- ») apparaît sur l'écran du panneau supérieur.

Table des matières

Connexion ➔ Guide de démarrage (document séparé)

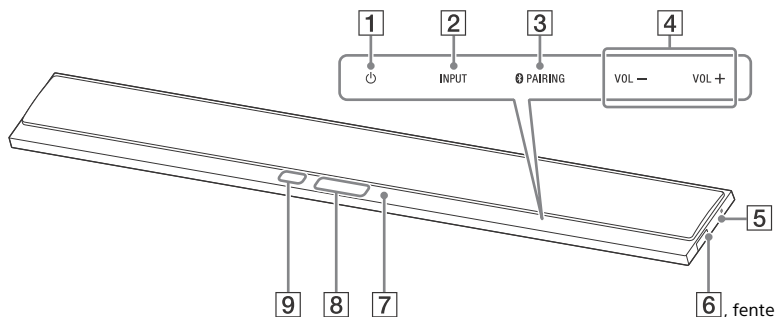
À propos de ce Mode d'emploi	6	Fixation de la barre de haut-parleurs au mur	22
Index des composants et des commandes	8	Installation du subwoofer horizontalement	24
Écoute		Activation de la transmission sans fil entre unités spécifiques (Secure Link) ...	24
Écoute du son des appareils connectés	11	Réglage du volume du subwoofer	25
Pour écouter de la musique à partir d'un périphérique USB	12	Informations complémentaires	
Réglage du son		Précautions	25
Pour utiliser des effets sonores	13	Dépannage	26
Fonction BLUETOOTH		Types de fichiers compatibles	32
Pour écouter de la musique à partir d'un périphérique BLUETOOTH	14	Formats audio pris en charge	32
Contrôler le système à l'aide d'un smartphone ou d'une tablette (SongPal)	16	Spécifications	32
Réglages et ajustements		Connexion BLUETOOTH	34
Utilisation de l'écran de configuration	17		
Autres fonctions			
Utilisation de la fonction Contrôle pour HDMI	20		
Utilisation de la fonction « BRAVIA » Sync	21		
Économie d'énergie en mode veille	22		

Index des composants et des commandes

Pour plus d'informations, reportez-vous aux pages indiquées entre parenthèses.

Barre de haut-parleurs

Panneau supérieur et latéral



1 Touche (alimentation)

Mettre le système sous tension ou en mode veille.

2 Touche INPUT

Sélectionne l'appareil que vous souhaitez utiliser.

3 Touche PAIRING

4 Touche VOL (volume) +/-

5 (N-Mark) (page 15)

Placer l'appareil compatible NFC à côté de ce symbole pour activer la fonction NFC.

6 Port (USB) (page 12)

Placez votre ongle dans la fente (par-dessous) pour ouvrir le couvercle.

7 Voyant DEL bleu

Affiche l'état BLUETOOTH comme suit.

Pendant l'appairage BLUETOOTH	Clignote rapidement
-------------------------------	---------------------

Le système est en train d'essayer de se connecter à un périphérique BLUETOOTH	Clignote
---	----------

Le système s'est connecté à un périphérique BLUETOOTH	Éclairage continu
---	-------------------

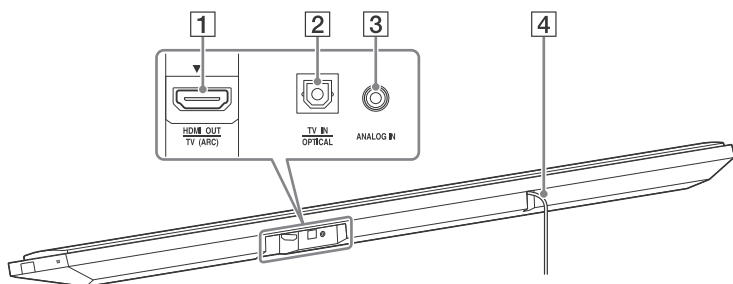
8 Affichage du panneau supérieur

9 Capteur de télécommande

À propos des touches

Les touches fonctionnent lorsque vous les effleurez. N'appuyez pas dessus trop fortement.

Panneau arrière



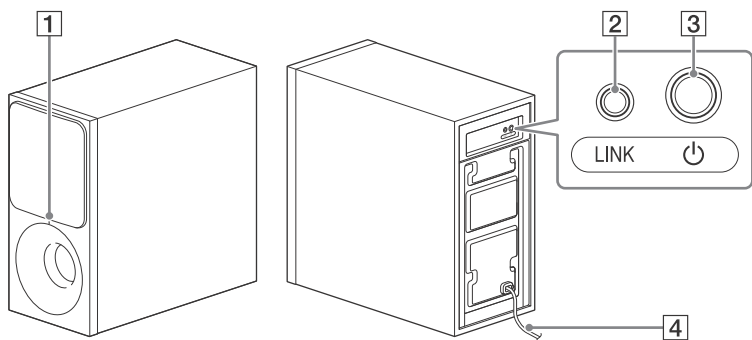
1 Prise HDMI OUT TV (ARC)

2 Prise TV IN OPTICAL

3 Prise ANALOG IN

4 Cordon d'alimentation CA

Subwoofer



1 Témoin d'alimentation

- Voyants éteints : L'alimentation est coupée.
- Rouge : Non connecté à la barre de haut-parleurs (mode veille).
- Vert : Connecté à la barre de haut-parleurs (la connexion Secure Link n'est pas établie).
- Orange : La connexion Secure Link est établie.

2 LINK (page 24)

3 (alimentation)

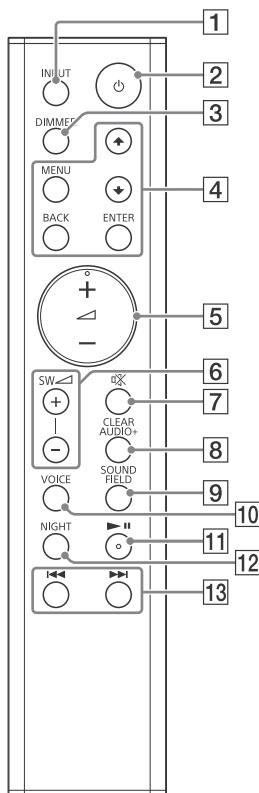
Met le subwoofer sous tension ou en mode veille.

4 Cordon d'alimentation CA

À propos du mode veille

Le subwoofer passe en mode veille automatiquement et le témoin d'alimentation devient rouge lorsque la barre de haut-parleurs est en mode veille ou lorsque la transmission sans fil est désactivée. Le subwoofer s'allume automatiquement lorsque la barre de haut-parleurs est sous tension ou que la transmission sans fil est activée.

Télécommande



1 INPUT (page 11)

2 (alimentation)

Mettre le système sous tension ou en mode veille.

3 DIMMER

Ajustez la luminosité de l'écran du panneau supérieur.

« BRIGHT » → « DARK » → « OFF »

- L'écran du panneau supérieur s'éteint lorsque « OFF » est sélectionné. Il s'allume automatiquement lorsque vous appuyez sur une touche et s'éteint de nouveau si vous ne commandez pas le système pendant environ plusieurs secondes. Cependant, dans certains cas, l'écran du panneau supérieur peut s'éteindre. Dans ce cas, la luminosité de l'écran du panneau supérieur est la même que « DARK ».

4 MENU

Active/désactive le menu sur l'écran du panneau supérieur.



Sélectionne les éléments de menu.

ENTER

Affiche la sélection.

BACK

Revenir à l'affichage précédent. Arrête la lecture depuis le périphérique USB.

5 (volume) +/-

Régler le volume.

6 SW (volume du subwoofer) +/- (page 25)

Règle le volume des graves.

7 (mise en sourdine)

Désactiver temporairement le son.

- 8 CLEARAUDIO+**
Sélectionne automatiquement le réglage du son adapté à la source sonore.
- 9 SOUND FIELD (page 13)**
Sélectionner un mode de son.
- 10 VOICE (page 13)**
- 11 ►||* (lecture/pause)**
Suspend ou reprend la lecture.
- 12 NIGHT (page 13)**
- 13 ◀◀/▶▶ (précédent/suivant/ rembobinage/avance rapide)**
Appuyez pour sélectionner la plage ou le fichier précédent/suivant.
Maintenez enfoncé pour faire une recherche vers l'arrière ou l'avant.

* Les touches ►|| et ◀ + ont un point tactile. Utilisez le point tactile comme repère lorsque vous utilisez la télécommande.

Écoute

Écoute du son des appareils connectés

Appuyez plusieurs fois sur INPUT.

Lorsque vous appuyez une fois sur INPUT, l'appareil actuel apparaît sur l'affichage de l'écran du panneau supérieur, puis chaque fois que vous appuyez sur INPUT, l'appareil change comme suit.

« TV » → « ANALOG » → « BT » → « USB »

« TV »

Appareil (téléviseur, etc.) qui est connecté à la prise TV IN OPTICAL ou téléviseur compatible avec la fonction Audio Return Channel connecté à la prise HDMI OUT TV (ARC)


« ANALOG »

Appareil (lecteurs de médias numériques, etc.) connecté à la prise ANALOG IN

« BT »

Périphérique BLUETOOTH prenant en charge le format A2DP (page 14)

« USB »

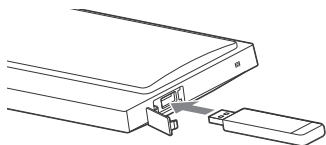
Périphérique USB connecté au port  (USB) (page 12)

Pour écouter de la musique à partir d'un périphérique USB

Vous pouvez lire des fichiers musique à partir d'un périphérique USB connecté. Pour connaître les différents types de fichiers compatibles, reportez-vous à la section « Types de fichiers compatibles » (page 32).

1 Connectez le périphérique USB au port (USB).

Reportez-vous au Mode d'emploi du périphérique USB avant de le connecter.





2 Appuyez plusieurs fois sur INPUT pour sélectionner « USB ».

La liste du contenu USB s'affiche à l'écran du téléviseur.

3 Appuyez sur / pour sélectionner le contenu de votre choix, puis appuyez sur ENTER.

Le contenu sélectionné commence la lecture.

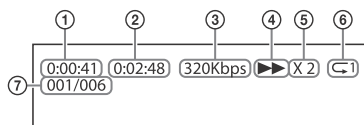
4 Réglez le volume.

- Ajustez le volume de la barre de haut-parleurs en appuyant sur  +/-.
- Ajustez le volume du subwoofer en appuyant sur SW  +/-.

Remarque

N'ôtez pas le périphérique USB lors de son utilisation. Pour éviter toute corruption ou endommagement des données sur le périphérique USB, éteignez le système avant d'enlever un périphérique USB.

Informations sur le périphérique USB sur l'écran du téléviseur



- ① Durée de lecture
- ② Durée totale de lecture
- ③ Débit binaire
- ④ État de la lecture
- ⑤ Vitesse de retour/avance rapide
- ⑥ État de lecture répétée
- ⑦ Index des fichiers sélectionnés/
Nombre total de fichier dans le dossier

Remarques

- En fonction de la source lue, certaines informations peuvent être affichées.
- En fonction du mode de lecture, les informations affichées peuvent être différentes.

Réglage du son

Pour utiliser des effets sonores

Vous pouvez facilement utiliser des champs acoustiques préalablement programmés qui sont faits sur mesure en fonction des différentes sources de sons.

Sélection du champ acoustique

Appuyez plusieurs fois sur SOUND FIELD jusqu'à ce que le champ acoustique apparaisse sur l'écran du panneau supérieur.

« CLEARAUDIO+ »

Vous pouvez apprécier le son avec le champ acoustique recommandé par Sony. Le champ acoustique est automatiquement optimisé en fonction du contenu lu et de la fonction.

« MOVIE »

Les sons sont lus avec des effets surround, ce qui les rend puissants et réalistes, convenant aux films.

« MUSIC »

Les effets sonores sont optimisés pour l'écoute de la musique.

« SPORTS »

Les commentaires sont clairs, les acclamations sont perçues comme un son d'ambiance et les sons sont ressemblants.

« GAME »

Les sons sont puissants et réalistes, convenant aux jeux vidéo.

« STANDARD »

Son qui correspond à toutes les sources.

Astuce

Vous pouvez aussi appuyer sur CLEARAUDIO+ pour sélectionner « CLEARAUDIO+ ».

Pour utiliser la fonction Mode nocturne

Cette fonction est utile pour regarder des films lorsqu'il est tard la nuit. Vous pourrez écouter clairement les dialogues même lorsque le volume est faible.

Appuyez sur NIGHT pour sélectionner « N.ON ».

Pour rendre le Mode nocturne inactif, appuyez sur NIGHT pour sélectionner « N.OFF ».

Pour utiliser la fonction Voix Claire

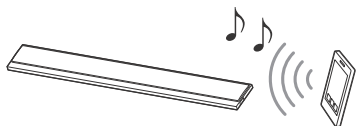
Cette fonction rend les dialogues plus clairs.

Appuyez plusieurs fois sur VOICE.

- « UP OFF » : La fonction Voix Claire est désactivée.
- « UP 1 » : La gamme des dialogues est améliorée.
- « UP 2 » : La gamme des dialogues est améliorée et les sections de la gamme qui sont difficiles à discerner par les personnes âgées sont améliorées.

Fonction BLUETOOTH

Pour écouter de la musique à partir d'un périphérique BLUETOOTH



Appairage de ce système avec un périphérique BLUETOOTH

L'appairage est une opération où les périphériques BLUETOOTH s'enregistrent entre-eux à l'avance. Une fois l'opération d'appairage effectuée, elle ne doit plus l'être.

1 Placez le périphérique BLUETOOTH à 1 mètre (3,3 pieds) de la barre de haut-parleurs.

2 Appuyez sur  PAIRING sur la barre de haut-parleurs.

Le voyant DEL bleu sur la barre de haut-parleurs clignote rapidement pendant l'appairage BLUETOOTH.

3 Activez la fonction BLUETOOTH puis sélectionnez « HT-CT390 » après avoir recherché le périphérique BLUETOOTH.

Effectuez cette étape dans les 5 minutes, autrement le mode d'appairage pourrait être annulé. Lorsque la connexion BLUETOOTH est établie, le voyant DEL bleu s'allume.

Remarques

- Si une clé est requise pour le périphérique BLUETOOTH, saisissez « 0000 ». La clé peut être appelée « Clé », « Code NIP », « Numéro NIP » ou « Mot de passe ».
- Vous pouvez appairer jusqu'à 9 périphériques BLUETOOTH. Si un dixième périphérique BLUETOOTH est appairé, le dernier appareil connecté sera alors remplacé par le nouveau.

Pour écouter de la musique à partir d'un appareil apparié

1 Activez la fonction BLUETOOTH de l'appareil apparié.


2 Appuyez plusieurs fois sur INPUT pour sélectionner « BT ».

Le système reconnecte automatiquement le dernier périphérique BLUETOOTH qui était connecté.

Lorsque la connexion BLUETOOTH est établie, le voyant DEL bleu s'allume.

3 Commencez la lecture sur le périphérique BLUETOOTH.

4 Réglez le volume.

- Règle le volume du périphérique BLUETOOTH.
- Ajustez le volume de la barre de haut-parleurs en appuyant sur  +/-.

- Ajustez le volume du subwoofer en appuyant sur SW \triangleleft +/-.

Remarques

- Une fois que le système et le périphérique BLUETOOTH sont connectés, vous pouvez contrôler la lecture en appuyant sur \blacktriangleright \parallel et \blacktriangleleft / \blacktriangleright .
- Vous pouvez vous connecter au système à partir d'un périphérique BLUETOOTH apparié même lorsque le système est en mode veille, si vous mettez « BTSTB » sur « ON » (page 18).
- La lecture audio sur ce système peut être différée de celle sur le périphérique BLUETOOTH de par les caractéristiques de la technologie sans fil BLUETOOTH.

Astuce

Vous pouvez activer ou désactiver le codec AAC à partir du périphérique BLUETOOTH (page 18).

Pour déconnecter le périphérique BLUETOOTH

Réalisez une des actions suivantes.

- Appuyez de nouveau sur PAIRING sur la barre de haut-parleurs.
- Désactivez la fonction BLUETOOTH sur le périphérique BLUETOOTH.
- Éteignez le système ou le périphérique BLUETOOTH.

Connexion d'un appareil à distance à l'aide de la fonction One-touch (NFC)

La technologie NFC (Near Field Communication) permet une communication sans fil à faible portée entre différents appareils.

Lorsque vous placez un appareil à distance compatible NFC à côté de la N-Mark de la barre de haut-parleurs, le système et l'appareil à distance effectuent l'appariage et la connexion BLUETOOTH automatiquement.

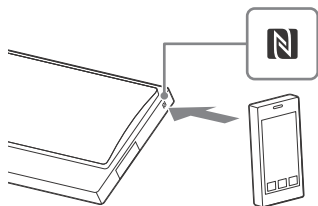
Appareils à distance compatibles

Appareils à distance intégrant une fonction NFC
(OS : Android 2.3.3 ou ultérieur, sauf Android 3.x)

Remarques

- Le système ne peut reconnaître et connecter qu'un appareil compatible NFC à la fois.
- En fonction de votre appareil à distance, vous devrez réaliser à l'avance les actions suivantes sur votre appareil à distance.
 - Active la fonction NFC. Pour obtenir plus de détails, reportez-vous au Mode d'emploi de l'appareil à distance.
 - Si la version de votre SE est antérieure à la version Android 4.1.x, téléchargez et lancez l'application « NFC Easy Connect ». « NFC Easy Connect » est une application gratuite pour les appareils à distance Android téléchargeable sur Google Play. (Il est possible que l'application ne soit pas disponible dans certains pays/régions.)

- 1 Placez l'appareil à distance près de la N-Mark situé sur la barre de haut-parleurs jusqu'à ce que l'appareil à distance vibre.



Suivez les instructions affichées sur l'écran de l'appareil à distance, puis terminez la procédure de connexion BLUETOOTH.

Lorsque la connexion BLUETOOTH est établie, le voyant DEL bleu sur la barre de haut-parleurs s'allume.

2 Démarez la lecture d'une source audio sur l'appareil à distance.

Pour obtenir plus de détails sur les opérations de lecture, reportez-vous au Mode d'emploi de votre appareil à distance.

3 Réglez le volume.

- Règle le volume du périphérique BLUETOOTH.
- Ajustez le volume de la barre de haut-parleurs en appuyant sur \triangleleft +/-.
- Ajustez le volume du subwoofer en appuyant sur SW \triangleleft +/-.

Astuce

Si l'appairage et la connexion BLUETOOTH échouent, effectuez la procédure suivante.

- Placez de nouveau l'appareil à distance près de la N-Mark sur la barre de haut-parleurs.
- Enlevez l'étui de l'appareil à distance si vous en utilisez un.
- Relancez l'application « NFC Easy Connect ».

Pour arrêter la lecture à l'aide de la fonction One-touch

Placez de nouveau l'appareil à distance près de la N-Mark sur la barre de haut-parleurs.



Contrôler le système à l'aide d'un smartphone ou d'une tablette (SongPal)

SongPal est une application dédiée permettant d'utiliser des appareils audio compatibles SongPal fabriqués par Sony, avec un smartphone ou d'une tablette. Recherchez SongPal sur Google Play ou sur l'App Store et téléchargez-le sur votre smartphone ou votre tablette.

SongPal vous permet :

- de modifier les réglages courants, en choisissant l'entrée du système et en réglant le volume.
- d'écouter avec le système de la musique stockée sur un smartphone.
- de profiter de la musique visuellement avec l'écran de votre smartphone.

Remarques

- Ce système est compatible avec SongPal, version 3.3 ou ultérieure.
- SongPal utilise la fonction BLUETOOTH du système.
- Les caractéristiques techniques et l'affichage de SongPal sont susceptibles d'être modifiés sans avis préalable.

Utilisation de SongPal

- 1 Téléchargez l'application gratuite SongPal sur l'appareil à distance.
- 2 Connectez le système et l'appareil à distance avec la connexion BLUETOOTH (page 14).
- 3 Démarez SongPal.
- 4 Utilisez les indications sur l'écran SongPal.

Utilisation de l'écran de configuration

Vous pouvez régler les éléments suivants avec le menu.

Vos réglages sont conservés même si vous déconnectez la cordon d'alimentation CA.

- 1 Appuyez sur **MENU** pour activer le menu sur l'écran du panneau supérieur.
- 2 Appuyez plusieurs fois sur **BACK/▲/▼/ENTER** pour sélectionner l'élément et appuyez sur **ENTER** pour sélectionner le réglage souhaité.
- 3 Appuyez sur **MENU** pour désactiver le menu.

Liste de menu

Les réglages par défaut sont soulignés.

Éléments de menu	Fonction
« LVL > » (Niveau)	<p>« ATT » (Réglages d'atténuation - Analogique)</p> <p>Une distorsion peut se produire lors de l'écoute d'un appareil connecté à la prise ANALOG IN. Vous pouvez éviter la distorsion en atténuant le niveau d'entrée du système.</p> <ul style="list-style-type: none"> • « ON » : Atténue le niveau d'entrée. Le niveau d'entrée diminue lorsque ce réglage est défini. • « OFF » : Niveau d'entrée normal.
	<p>« DRC » (Commande de la gamme dynamique)</p> <p>Pour profiter des films à un faible niveau de volume. DRC est appliqué aux sources Dolby Digital.</p> <ul style="list-style-type: none"> • « ON » : Comprime le son en fonction des informations qu'il contient. • « OFF » : Le son n'est pas compressé.
« SPK > » (Haut-parleur)	<p>« PLACE » (Placement des haut-parleurs)</p> <ul style="list-style-type: none"> • « STDRD » : Sélectionnez ce réglage si vous installez la barre de haut-parleurs en position standard. • « WALL » : Sélectionnez ce réglage si vous montez la barre de haut-parleurs sur un mur (page 22).
« AUD > » (Audio)	<p>« DUAL » (Dual mono)</p> <p>Vous pouvez écouter un son diffusé en multiplex lorsque le système reçoit un signal diffusé en multiplex Dolby Digital.</p> <ul style="list-style-type: none"> • « M/S » : Un mixage des langues principale et secondaire est reproduit. • « MAIN » : Le son de la langue principale est reproduit. • « SUB » : Le son de la langue secondaire est reproduit.
	<p>« TV AU » (TV audio)</p> <ul style="list-style-type: none"> • « AUTO » : Sélectionnez ce réglage quand le système est connecté à une prise HDMI (ARC) d'un téléviseur avec un câble HDMI. • « OPT » : Sélectionnez ce réglage quand le système est connecté à un téléviseur avec le câble optique numérique.

Éléments de menu	Fonction
« EFCT » (Effet sonore)	<ul style="list-style-type: none"> • « ON » : Le son du champ acoustique sélectionné est lu. Il est recommandé d'utiliser ce réglage. • « OFF » : La source d'entrée est mixée en aval pour deux canaux.
« STRM » (Flux)	<p>Montre les informations du flux audio actue. Consulte la page 32 pour connaître les formats audio pris en charge.</p>
« HDMI > »	
« CTRL » (Contrôle pour HDMI)	<ul style="list-style-type: none"> • « ON » : La fonction Contrôle pour HDMI est activée. Les appareils connectés avec un câble HDMI peuvent se commander mutuellement. • « OFF » : Désactivé.
« TVSTB » (Veille liée au téléviseur)	<p>Cette fonction est disponible lorsque vous réglez « CTRL » sur « ON ».</p> <ul style="list-style-type: none"> • « AUTO » : Si l'entrée du système est « TV », le système s'éteint automatiquement quand vous éteignez le téléviseur. • « ON » : Le système s'éteint automatiquement quand vous éteignez les téléviseur quelle que soit l'entrée. • « OFF » : Le système ne s'éteint pas lorsque vous éteignez le téléviseur.
« COLOR » (Couleur HDMI)	<ul style="list-style-type: none"> • « AUTO » : Détecte automatiquement le type d'appareil externe et bascule vers le réglage de couleurs correspondant. • « YCBCR » : Reproduit des signaux vidéo YCbCr. • « RGB » : Reproduit des signaux vidéo RGB.
« BT > » (BLUETOOTH)	
« BTAAC » (BLUETOOTH Codage audio avancé)	<p>Vous pouvez régler si le système utilise ou non AAC via BLUETOOTH.</p> <ul style="list-style-type: none"> • « ON » : Activer codec AAC. • « OFF » : Désactiver codec AAC.
	<p>Remarque</p> <p>Si vous modifiez le réglage « BTAAC » lorsqu'un périphérique BLUETOOTH est connecté, le réglage du codec ne s'applique qu'à la prochaine connexion.</p>
« BTSTB » (BLUETOOTH en mode veille)	<p>Quand le système a des informations d'appairage, le système est en mode de veille BLUETOOTH même quand il est éteint.</p> <ul style="list-style-type: none"> • « ON » : Le mode de veille BLUETOOTH est activé. • « OFF » : Le mode de veille BLUETOOTH est désactivé.
« INFO » (Information sur le périphérique BLUETOOTH)	<p>Le nom d'un périphérique BLUETOOTH détecté et l'adresse de l'appareil apparaissent sur l'écran du panneau supérieur.</p> <p>« NO DEVICE » apparaît si le système n'est pas connecté à un périphérique BLUETOOTH.</p>
« WS > » (Son sans fil)	<ul style="list-style-type: none"> • « ON » : Vous pouvez spécifier la connexion sans fil à utiliser entre la barre de haut-parleurs et le subwoofer à l'aide de la fonction Secure Link (page 24). • « OFF » : Désactivé.

Éléments de menu		Fonction
« USB > »	« REPT » (Mode de lecture)	<ul style="list-style-type: none"> • « <u>NONE</u> » : Lit toutes les pages. • « <u>ONE</u> » : Répète une page. • « <u>FLDER</u> » : Répète toutes les pages d'un dossier. • « <u>RANDM</u> » : Répète toutes les pages d'un dossier dans un ordre aléatoire. • « <u>ALL</u> » : Répète toutes les pages.
« SYS > » (Système)	« ASTBY » (Mode veille automatique)	<ul style="list-style-type: none"> • « <u>ON</u> » : Active la fonction de veille automatique. Si vous ne commandez pas le système pendant environ 20 minutes, le système se met automatiquement en mode veille. • « <u>OFF</u> » : Désactivé.
	« VER » (Version)	Les informations de la version actuelle du firmware apparaissent sur l'écran du panneau supérieur.

Autres fonctions

Utilisation de la fonction Contrôle pour HDMI

Connecter un appareil tel qu'un téléviseur ou un Lecteur de disques Blu-ray compatible avec la fonction Contrôle pour HDMI* à l'aide d'un câble HDMI (câble HDMI haute vitesse avec Ethernet, non fourni) vous permet de commander facilement l'appareil avec la télécommande du téléviseur. Les fonctions suivantes peuvent être utilisées avec la fonction de Contrôle pour HDMI.

- Fonction de mise hors tension du système
- Fonction de contrôle audio du système
- Audio Return Channel
- Fonction One-Touch Play

* Contrôle pour HDMI est une norme utilisée par CEC (Consumer Electronics Control) permettant aux appareils HDMI (High-Definition Multimedia Interface) de se commander mutuellement.

Remarque

Ces fonctions peuvent fonctionner sur des appareils qui n'ont pas été fabriqués par Sony, mais cela n'est pas garanti.

Préparation pour l'utilisation de la fonction Contrôle pour HDMI

Réglez « HDMI> » – « CTRL » sur le système sur « ON » (page 18). Le paramètre par défaut est « ON ». Active les réglages de la fonction Contrôle pour HDMI pour le téléviseur et l'autre appareil connecté au système.

Astuce

Si vous activez la fonction Contrôle pour HDMI (« BRAVIA » sync) lors de l'utilisation d'un téléviseur fabriqué par Sony, la fonction Contrôle pour HDMI du système est aussi activée automatiquement. Quand les réglages sont terminés, « DONE » apparaît sur l'écran du panneau supérieur.

Fonction de mise hors tension du système

Lorsque vous éteignez le téléviseur, le système s'éteint automatiquement. Réglez « HDMI> » – « TVSTB » sur le système sur « ON » ou « AUTO » (page 18). Le paramètre par défaut est « AUTO ».

Fonction de Contrôle audio du système

Si vous allumez le système lorsque vous regardez la télévision, le son du téléviseur sera émis par les haut-parleurs du système. Le volume du système peut être réglé à l'aide de la télécommande du téléviseur. Si le son du téléviseur a été émis par les haut-parleurs du système la dernière fois que vous avez regardé la télévision, le système sera mis en marche automatiquement lorsque vous allumez de nouveau le téléviseur. Les opérations peuvent aussi être réalisées à l'aide du menu du téléviseur. Pour obtenir plus de détails, reportez-vous au Mode d'emploi de votre téléviseur.

Remarques

- Le son set sorti uniquement par le téléviseur si un autre réglage que l'entrée « TV » est sélectionné lors de l'utilisation de la fonction Double image sur le téléviseur. Si vous désactivez la fonction Double image, le son est émis par le système.
- Le niveau de volume du système s'affiche sur l'écran du téléviseur en fonction du téléviseur. Il peut être différent du niveau de volume sur l'écran du panneau supérieur.
- En fonction des réglages du téléviseur, la fonction de Contrôle audio du système peut ne pas être disponible. Pour obtenir plus de détails, reportez-vous au Mode d'emploi de votre téléviseur.

Audio Return Channel

Si le système est connecté à la prise HDMI IN d'un téléviseur compatible avec Audio Return Channel, vous pouvez écouter le son du téléviseur à partir des haut-parleurs du système sans connecter de câble optique numérique.

Sur le système, réglez « AUD > » – « TV AU » sur « AUTO » (page 17). Le paramètre par défaut est « AUTO ».

Remarque

Si le téléviseur n'est pas compatible avec Audio Return Channel, vous devez connecter un câble optique numérique (reportez-vous au guide de démarrage fourni).

Fonction One-Touch Play

Quand vous lisez un contenu sur un appareil (Lecteur de disques Blu-ray, « PlayStation®4 », etc.) connecté au téléviseur, le système et le téléviseur s'allument automatiquement, l'entrée du système est commutée sur l'entrée pour le téléviseur et le son est sorti par les haut-parleurs du système.

Remarques

- Si le son du téléviseur a été émis par les haut-parleurs du téléviseur la dernière fois que vous avez regardé la télévision, le système ne s'allume pas et le son et l'image sont sortis par le téléviseur même si le contenu de l'appareil est lu.
- En fonction du téléviseur, le début du contenu peut ne pas être lu correctement.

Utilisation de la fonction « BRAVIA » Sync

En plus de la fonction Contrôle pour HDMI, vous pouvez aussi utiliser la fonction suivante sur des appareils compatibles avec la fonction « BRAVIA » sync.

- Fonction de sélection de scène

Remarque

Cette fonction est une fonction propriétaire de Sony. Cette fonction ne peut pas être utilisée avec d'autres produits que ceux fabriqués par Sony.

Fonction de sélection de scène

Le champ acoustique du système est commuté automatiquement en fonction des réglages de la fonction de sélection de scène ou de mode sonore du téléviseur. Pour obtenir plus de détails, reportez-vous au Mode d'emploi de votre téléviseur. Réglez le champ acoustique sur « CLEARAUDIO+ » (page 13).

Remarques à propos des connexions HDMI

- Utilisez un câble HDMI haute vitesse. Si vous utilisez un câble HDMI standard, il est possible que les contenus de 1080p ne s'affichent pas correctement.
- Utilisez un câble HDMI certifié. Utilisez un câble HDMI haute vitesse Sony avec le logo du type de câble.
- Nous ne vous recommandons pas d'utiliser un câble de conversion HDMI-DVI.
- Vérifiez la configuration de l'équipement connecté si l'image est mauvaise ou si le son ne sort pas de l'équipement connecté par le câble HDMI.
- Les signaux audio (fréquence d'échantillonnage, longueur binaire, etc.) transmis par une prise HDMI peuvent être supprimés par l'équipement connecté.
- Le son peut être interrompu lorsque la fréquence d'échantillonnage ou le nombre de canaux des signaux de sortie audio de l'équipement de lecture sont commutés.

- Si l'équipement connecté n'est pas compatible avec la technologie de protection des droits d'auteur (HDCP), l'image et/ou le son de la prise HDMI OUT de ce système peut être déformé ou il peut ne pas avoir de sortie. Dans ce cas, veuillez vérifier les spécifications de l'équipement connecté.

Économie d'énergie en mode veille

Vérifiez que vous avez effectué les réglages suivants :

- « CTRL » dans les « HDMI > » est réglé sur « OFF » (page 18).
- « BTSTB » dans les « BT > » est réglé sur « OFF » (page 18).

Fixation de la barre de haut-parleurs au mur

Vous pouvez installer la barre de haut-parleurs sur un mur.

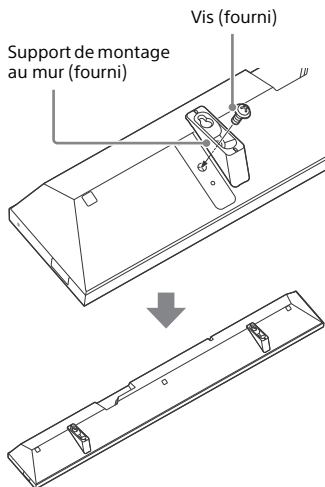
Remarques

- Utilisez des vis (non fournies) adaptées au matériau et à la résistance du mur. Comme les plaques de plâtre sont particulièrement fragiles, fixez fermement les vis à deux goujons dans la poutre du mur. Installez la barre de haut-parleurs à l'horizontale, accrochée par des vis dans les goujons, sur une portion plane du mur.
- Assurez-vous de confier l'installation à un détaillant ou entrepreneur Sony et faites particulièrement attention à la sécurité pendant l'installation.

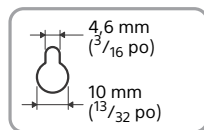
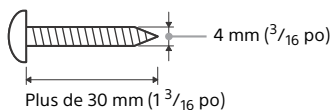
• Sony ne peut être tenu responsable de tout accident ou dégât entraîné par une installation incorrecte, une résistance insuffisante du mur, une mauvaise fixation des vis, une catastrophe naturelle, etc.

1 Fixez les supports de montage au mur fourni sur les trous de fixation du support dessous la barre de haut-parleurs avec les vis fournies de façon que la surface de chaque support soit comme montré sur l'illustration.

Fixez les deux supports de montage au mur sur les trous de fixation gauche et droit dessous la barre de haut-parleurs.



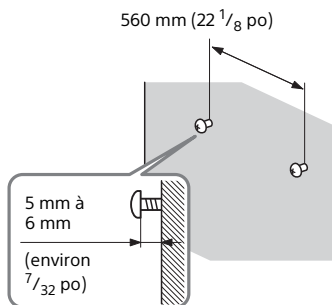
2 Préparez des vis (non fournies) adaptées aux trous des supports.



Trou dans le support

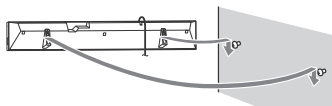
3 Serrez les vis à 2 goujons dans le mur.

Les vis doivent dépasser de 5 mm à 6 mm (environ 7/32 po).



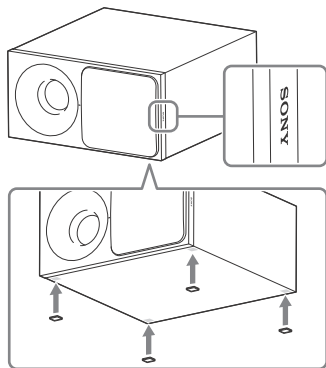
4 Accrochez la barre de haut-parleurs aux vis.

Alignez les trous des supports avec les vis, puis accrochez la barre de haut-parleurs aux deux vis.



Installation du subwoofer horizontalement

Placez le subwoofer sur le côté droit avec le logo « SONY » dirigé vers l'avant.



Attachez les patins de haut-parleur fournis.

Activation de la transmission sans fil entre unités spécifiques (Secure Link)

Vous pouvez spécifier la connexion sans fil à utiliser entre la barre de haut-parleurs et le subwoofer à l'aide de la fonction Secure Link.

Cette fonction peut aider à éviter les interférences si vous utilisez plusieurs appareils sans fil ou que vos voisins en utilisent.

1 Appuyez sur MENU.

2 Appuyez sur \uparrow/\downarrow pour sélectionner « WS > », puis appuyez sur ENTER.

3 Quand « LINK » apparaît sur l'écran du panneau supérieur, appuyez sur ENTER.

4 Appuyez sur \uparrow/\downarrow pour sélectionner « ON », puis appuyez sur ENTER.

5 Quand « START » apparaît sur l'écran du panneau supérieur, appuyez sur ENTER. « ***** » apparaît, et la barre de haut-parleurs recherche un appareil qui peut être utilisé avec Link. Passez à l'étape suivante avant 2 minutes.

6 Appuyez sur LINK sur le subwoofer.

Le témoin d'alimentation du subwoofer clignote en orange.

7 Quand « DONE » apparaît sur l'écran du panneau supérieur, appuyez sur ENTER.

Le subwoofer est lié à la barre de haut-parleurs et le témoin d'alimentation du subwoofer devient orange.

Si « FAIL » apparaît, assurez-vous que le subwoofer est allumé et appuyez sur BACK pour réaliser de nouveau la procédure à partir de l'étape 3.

8 Appuyez sur MENU.
Le menu est désactivé.

Réglage du volume du subwoofer

Le subwoofer est conçu pour reproduire le son de basse ou les basses fréquences.

Appuyez sur SW \triangleleft +/- pour régler le volume du subwoofer.

Remarque

Quand la source d'entrée ne contient pas beaucoup de son grave, comme dans le cas d'une émission de télévision, le son du subwoofer peut être difficile à entendre.

Informations complémentaires

Précautions

Sécurité

- Si un objet ou du liquide venait à pénétrer à l'intérieur du système, débranchez le système et faites-le vérifier par une personne qualifiée avant de le remettre en marche.
- Ne touchez pas le cordon d'alimentation CA avec des mains humides. Vous risqueriez de vous électrocuter.
- Ne montez pas sur la barre de haut-parleurs et le subwoofer car vous pourriez tomber, vous blesser ou endommager le système.

Sources d'alimentation

- Avant de commander le système, assurez-vous que la tension soit la même que celle de votre réseau local. La tension de fonctionnement est indiquée sur la plaque signalétique sous la barre de haut-parleurs.
- Débranchez le système de la prise murale si vous prévoyez de ne pas l'utiliser pendant une période prolongée. Pour débrancher le cordon d'alimentation CA, tirez sur la fiche, mais ne tirez jamais sur le cordon proprement dit.
- Une des lames de la fiche est plus large que l'autre pour des raisons de sécurité et la fiche ne pourra être branchée sur la prise secteur murale que d'une seule façon. Si vous ne pouvez pas insérer la fiche complètement dans la prise, contactez votre revendeur.
- Le cordon d'alimentation CA ne peut être remplacé que par un atelier d'assistance qualifié.

À propos de l'échauffement

Si le système chauffe lors de son utilisation, ce n'est pas un dysfonctionnement. En cas d'utilisation continue à un volume élevé de ce système, la température augmente considérablement à l'arrière et sur le dessous. Pour éviter de vous brûler, ne touchez pas le système.

À propos de l'emplacement

- Installez le système dans un endroit suffisamment ventilé pour éviter toute surchauffe interne et prolonger la vie du système.
- Ne placez pas le système près d'une source de chaleur ni à un endroit exposé à la lumière directe du soleil, à une poussière excessive ou à des chocs mécaniques.
- Ne placez rien à l'arrière de la barre de haut-parleurs et du subwoofer qui pourrait bloquer les trous de ventilation est entraîner un mauvais fonctionnement.
- Si le système est utilisé en combinaison avec un téléviseur, un magnétoscope ou un magnétophone, cela peut provoquer du bruit et altérer la qualité de l'image. Dans ce cas, placez le système à l'écart du téléviseur, du magnétoscope ou du magnétophone.
- Agissez avec prudence si vous allez placer le système sur une surface qui a reçu un traitement spécial (cire, huile, polissage, etc.) car cela pourrait tâcher ou décolorer la surface.
- Faites attention aux bords de la barre de haut-parleurs et du subwoofer car il peuvent causer des blessures.
- Laissez un espace de 3 cm (1 3/16 po) ou plus dessous la barre de haut-parleurs quand vous l'accrochez sur un mur.

Fonctionnement

Avant de connecter d'autres équipements, assurez-vous d'éteindre et de débrancher le système.

Si vous recontrer un problème de couleurs anormales sur un téléviseur à proximité

Des couleurs irrégulières peuvent être observées sur certains types de téléviseur.

- Si un problème de couleurs irrégulières se produit...
Éteignez le téléviseur, puis rallumez le après 15 à 30 minutes.
- Si le problème de couleurs irrégulières continue...
Éloignez le système du téléviseur.

Nettoyage

Nettoyez le système avec un chiffon doux et sec. N'utilisez pas de tampon abrasif, de poudre à récurer ou de solvant tel que l'alcool ou la benzine.

Si vous avez des questions ou des problèmes en ce qui concerne votre système, veuillez consulter votre revendeur Sony le plus proche.

Dépannage

Si vous rencontrez l'un des problèmes suivant en utilisant le système, consultez ce guide de dépannage pour vous aider à remédier à ce problème avant de demander une réparation. Si le problème persiste, consultez votre revendeur Sony le plus proche.

Général

L'alimentation ne s'allume pas.

- Vérifiez que le cordon d'alimentation CA est correctement connecté.

Le système ne fonctionne pas normalement.

- Déconnectez le cordon d'alimentation CA de la prise murale, puis reconnectez-le après quelques minutes.

Le système s'éteint automatiquement.

- La fonction de veille automatique fonctionne. Réglez « ASTBY » dans « SYS > » sur « OFF » (page 19).

Le système ne s'allume pas même quand le téléviseur est allumé.

- Réglez « HDMI> » – « CTRL » sur « ON » (page 18). Le téléviseur doit prendre en charge la fonction Contrôle pour HDMI (page 20). Pour obtenir plus de détails, reportez-vous au Mode d'emploi de votre téléviseur.
- Vérifier les réglages de haut-parleur sur le téléviseur. L'alimentation du système est synchronisée avec les réglages de haut-parleur du téléviseur. Pour obtenir plus de détails, reportez-vous au Mode d'emploi de votre téléviseur.
- Si le son a été sorti par les haut-parleurs du téléviseur la fois précédente, le système ne s'allume pas même quand le téléviseur est allumé.

Le système s'éteint quand le téléviseur est éteint.

- Vérifiez le réglage de « HDMI> » – « TVSTB » (page 18). Quand « TVSTB » est réglé sur « ON », le système s'éteint automatiquement quand vous éteignez les téléviseur quelle que soit l'entrée.

Le système ne s'éteint pas même quand le téléviseur est éteint.

- Vérifiez le réglage de « HDMI> » – « TVSTB » (page 18). Pour éteindre le système automatiquement quelle que soit l'entrée quand vous éteignez le téléviseur, réglez « TVSTB » sur « ON ». Le téléviseur doit prendre en charge la fonction Contrôle pour HDMI (page 20). Pour obtenir plus de détails, reportez-vous au Mode d'emploi de votre téléviseur.

Son

Le système n'émet aucun son de téléviseur.

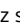
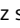
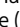
- Vérifiez le type et la connexion du câble HDMI, du câble optique numérique ou du câble audio analogique qui est connecté au système et au téléviseur (reportez-vous au Guide de démarrage fourni).
- Si votre téléviseur est compatible avec with Audio Return Channel, assurez-vous que le système est connecté à une prise d'entrée HDMI compatible ARC du téléviseur (reportez-vous au Guide de démarrage fourni). Si aucun son ne sort toujours ou si le son est interrompu, connectez le câble optique numérique fourni et réglez « AUD > » – « TV AU » sur « OPT » (page 17).
- Si votre téléviseur n'est pas compatible avec Audio Return Channel, le son du téléviseur n'est pas sorti par le système même si le système est connecté à la prise d'entrée HDMI du téléviseur. Pour sortir le son du téléviseur par le système, connectez le câble optique numérique fourni (reportez-vous au Guide de démarrage fourni).

- Si le son n'est pas sorti par le système même si le système et le téléviseur sont connectés par un câble optique numérique ou si le téléviseur ne possède pas de prise de sortie sonore numérique optique, connectez un câble audio analogique (non fourni) et changez l'entrée du système sur « ANALOG » (page 11).
- Changez l'entrée du système sur « TV » (page 11).
- Augmentez le volume sur le système ou retirez la sourdine.
- En fonction de l'ordre de connexion du téléviseur et du système, il se peut que le système soit en sourdine et que « MUTING » soit affiché sur l'écran du panneau supérieur du système. Si cela se produit, allumez d'abord le téléviseur, puis le système.
- Réglez les paramètres des haut-parleurs du téléviseur (BRAVIA) sur Système audio. Reportez-vous aux Mode d'emploi de votre téléviseur à propos de ses réglages.

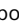
Le son est reproduit depuis le système et le téléviseur.

- Mettez en sourdine le système ou le téléviseur.

L'appareil connecté à la barre de haut-parleurs n'émet pas de son ou bien un son très faible par la barre de haut-parleurs.

- Appuyez sur  + et vérifiez le volume (page 10).
- Appuyez sur  ou  + pour annuler la fonction de mise en sourdine (page 10).
- Assurez-vous de sélectionner la bonne source d'entrée. Pour utiliser d'autres sources d'entrée, appuyez sur INPUT plusieurs fois (page 11).
- Assurez-vous que tous les câbles et cordons du système et de l'appareil connecté soit fermement insérés.

Aucun son ou un son très faible uniquement est reproduit par le subwoofer.


- Appuyez sur SW  + pour augmenter le volume du subwoofer (page 10).
- Vérifiez que le témoin d'alimentation sur le subwoofer est allumé en vert. Si non, reportez-vous à « Aucun son n'est reproduit par le subwoofer. » dans « Sons sans fil du subwoofer » (page 30).
- Un subwoofer sert à reproduire le son de basse. Si les sources d'entrée ne contiennent que de très faibles composants de son de basse (par ex. une émission de télévision), le son du subwoofer peut être difficile à entendre.
- Lorsque vous lisez du contenu compatible avec la technologie de protection du copyright (HDCP), il ne sort pas du subwoofer.

L'effet surround ne peut pas être obtenu.

- En fonction du signal d'entrée et du réglage du champ acoustique, le traitement du son surround peut ne pas fonctionner efficacement. L'effet surround peut être léger en fonction du programme ou du disque.
- Pour lire un son multicanal, vérifiez le réglage de sortie audio numérique sur l'appareil connecté au système. Pour les détails, reportez-vous au Mode d'emploi fourni avec l'appareil connecté.

Périphérique USB

Le périphérique USB n'est pas reconnu.

- Essayez d'effectuer les actions suivantes :
 - ① Mettez le système hors tension.
 - ② Enlevez et reconnectez le périphérique USB.
 - ③ Mettez le système sous tension.
- Vérifiez que le périphérique USB est correctement connecté au port  (USB).
- Vérifiez si le périphérique USB ou un câble est endommagé.
- Vérifiez si le périphérique USB est activé.
- Si le périphérique USB est connecté via un hub USB, déconnectez-le et connectez directement le périphérique USB sur la barre de haut-parleurs.

Périphérique BLUETOOTH

La connexion BLUETOOTH ne peut être complétée.

- Assurez-vous que le voyant DEL bleu est allumé (page 8).
- Assurez-vous que le périphérique BLUETOOTH à connecter est sous tension et que la fonction BLUETOOTH a été activée.
- Placez le périphérique BLUETOOTH plus près de la barre de haut-parleurs.
- Appairez de nouveau ce système et le périphérique BLUETOOTH. Il peut s'avérer nécessaire d'annuler l'appairage avec ce système en utilisant d'abord votre le périphérique BLUETOOTH.

Impossible d'effectuer l'appairage.

- Placez le périphérique BLUETOOTH plus près de la barre de haut-parleurs.

→ Assurez-vous que ce système ne reçoit pas d'interférences à partir d'un équipement LAN sans fil, un appareil sans fil 2,4 GHz ou un four à micro-onde. Si un appareil qui génère des radiations électromagnétiques se trouve à proximité, éloignez l'appareil du système.

→ L'appairage peut être impossible si d'autres périphériques BLUETOOTH sont présents autour de la barre de haut-parleurs. Dans ce cas, mettez les autres périphériques BLUETOOTH hors tension.

Aucun son n'est sorti du périphérique BLUETOOTH connecté.




- Assurez-vous que le voyant DEL bleu est allumé (page 8).
- Placez le périphérique BLUETOOTH plus près de la barre de haut-parleurs.
- Si un appareil qui émet des radiations électromagnétiques, tels qu'un équipement LAN sans fil, d'autres périphériques BLUETOOTH ou un micro-onde se trouve à proximité, éloignez-le du système.
- Retirez tous les obstacles entre ce système et le périphérique BLUETOOTH ou éloignez ce système de l'obstacle.
- Changez la position du périphérique BLUETOOTH connecté.
- Essayez de changer la fréquence sans fil du routeur Wi-Fi, de l'ordinateur, etc. sur la bande 5 GHz.
- Augmentez le volume sur le périphérique BLUETOOTH connecté.

Le son n'est pas synchronisé avec l'image.

- Quand vous regardez un film, il se peut que le son soit légèrement décaler par rapport à l'image.

Sons sans fil du subwoofer

Aucun son n'est reproduit par le subwoofer.

- Le témoin d'alimentation ne s'allume pas.
 - Vérifiez que le cordon d'alimentation CA du subwoofer est correctement connecté.
 - Appuyez sur  sur le subwoofer pour l'allumer.
- Le témoin d'alimentation clignote lentement en vert ou s'allume en rouge.
 - Déplacez le subwoofer vers un endroit à proximité de la barre de haut-parleurs pour que le témoin d'alimentation s'allume en vert.
 - Suivez les étapes de « Activation de la transmission sans fil entre unités spécifiques (Secure Link) » (page 24).
- Si le témoin d'alimentation clignote en rouge, appuyez sur  sur le subwoofer pour couper l'alimentation et vérifiez si l'orifice de ventilation du subwoofer est obstrué.
- Le subwoofer est conçu pour reproduire le son de basse. Lorsque la source d'entrée ne contient pas beaucoup de basses, comme c'est le cas de la plupart des programmes de télévision, le son de basse peut être inaudible.
- Appuyez sur SW  + pour augmenter le volume du subwoofer (page 25).

Le son se coupe ou contient du bruit.

- Si un appareil générant des ondes électromagnétiques, tels qu'un LAN sans fil ou un four à micro-onde en fonctionnement, est placé à côté du système, déplacez ce dernier à l'écart de l'appareil.

- S'il existe un obstacle entre la barre de haut-parleurs et le subwoofer, déplacez-le ou enlevez-le.
- Placez la barre de haut-parleurs et le subwoofer le plus près possible l'un de l'autre.
- Mettez la fréquence LAN sans fil de tout routeur Wi-Fi ou ordinateur personnel à proximité sur la bande 5 GHz.
- Changez le réglage du téléviseur, du Lecteur de disques Blu-ray, etc. du LAN sans fil sur le réseau filaire.

Télécommande

La télécommande ne fonctionne pas.

- Pointez la télécommande sur le capteur de télécommande de la barre de haut-parleurs (page 8).
- Retirez tous les obstacles qui se trouvent entre la télécommande et la barre de haut-parleurs.
- Remplacez les deux piles de la télécommande par des neuves si elles sont usées.
- Assurez-vous d'appuyer sur la touche correcte de la télécommande.

La télécommande du téléviseur ne fonctionne pas.

- Installez la barre de haut-parleurs de façon qu'elle ne gêne pas le capteur de télécommande du téléviseur.

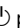
Autres

La fonction Contrôle pour HDMI ne fonctionne pas correctement.

- Vérifiez la connexion avec le système (reportez-vous au Guide démarrage fourni).
- Activez la fonction Contrôle pour HDMI sur le téléviseur. Pour obtenir plus de détails, reportez-vous au Mode d'emploi de votre téléviseur.

- Attendez un moment, puis essayez de nouveau. Si vous débranchez le système, il faut un certain temps avant qu'une opération soit effectuée. Attendez 15 secondes ou plus, puis essayez de nouveau.
- Assurez-vous que les appareils connectés au système prennent en charge la fonction Contrôle pour HDMI.
- Active la fonction Contrôle pour HDMI sur les appareils connectés au système. Pour obtenir plus de détails, reportez-vous au Mode d'emploi de votre appareil.
- Le type et le nombre d'appareils pouvant être contrôlés par la fonction Contrôle pour HDMI sont restreints par la norme HDMI CEC comme suit :
 - Appareils d'enregistrement (enregistreur de Blu-ray Disc, enregistreur de DVD, etc.) : jusqu'à 3 appareils
 - Appareils de lecture (Lecteur de disques Blu-ray, lecteurs de DVD, etc.) : jusqu'à 3 appareils
 - Appareils à tuner : jusqu'à 4 appareils
 - Système audio (récepteur/écouteurs) : jusqu'à 1 appareil (utilisé par ce système)

Si « PRTCT » apparaît sur l'écran du panneau supérieur de la barre de haut-parleurs.

- Appuyez sur  pour éteindre le système. Après que l'écran s'est éteint, déconnectez le cordon d'alimentation CA puis vérifiez que rien ne gêne les orifices de ventilation de la barre de haut-parleurs.

L'écran du panneau supérieur de la barre de haut-parleurs ne s'active pas.

- Appuyez sur DIMMER pour régler la luminosité sur « BRIGHT » ou « DARK », si le réglage est sur « OFF » (page 10).

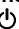
Les capteurs du téléviseur ne fonctionnent pas correctement.

- La barre de haut-parleurs peut bloquer certains capteurs (tels que le capteur de luminosité) et le récepteur de télécommande de votre téléviseur, ou l'« émetteur pour lunettes 3D (transmission par infrarouges) » d'un téléviseur 3D qui utilise le système de verre 3D infrarouge ou une communication sans fil. Éloignez la barre de haut-parleurs du téléviseur à une distance qui permette le fonctionnement de ces pièces. Pour connaître l'emplacement des capteurs et du récepteur de la télécommande, reportez-vous au Mode d'emploi fourni avec le téléviseur.


Réinitialisation

Si le système ne fonctionne toujours pas correctement, réinitialisez le système de la façon suivante.

Assurez-vous d'utiliser les touches sur la barre de haut-parleurs pour réaliser cette opération.

- 1 Tout en maintenant enfoncé INPUT, touchez VOL – et  simultanément pendant 5 secondes.**

« RESET » apparaît sur l'écran du panneau supérieur, et les réglages du menu, les champs acoustiques, etc. retournent aux réglages initiaux.

- 2 Débranchez le cordon d'alimentation CA.
- 3 Connectez le cordon d'alimentation CA, puis appuyez sur  pour allumer le système.
- 4 Liez le système au subwoofer (page 24).

Types de fichiers compatibles

Codec	Extension
MP3 (MPEG-1 Audio Layer III)	.mp3
AAC	.m4a
Standard WMA9	.wma
LPCM	.wav

Remarques

- Selon le format de fichier, le codage de fichier ou les conditions d'enregistrement, il se peut que certains fichiers soient illisibles.
- Il se peut que certains fichiers modifiés à l'aide d'un ordinateur soient illisibles.
- Le système ne lit pas les fichiers encodés du type DRM et Lossless.
- Le système reconnaît les fichiers ou dossiers suivants dans les périphériques USB :
 - 200 dossiers maximum
 - jusqu'à 150 fichiers/dossiers dans un même niveau
- Il est possible que certains périphériques USB ne fonctionnent pas avec ce système.
- Le système peut reconnaître les périphérique Mass Storage Class (MSC).

Formats audio pris en charge

Ce système prend en charge les formats audio suivants.

- Dolby Digital
- DTS
- LPCM 2ch
- AAC

Spécifications

Barre de haut-parleurs (SA-CT390)

Section amplificateur

Modèles destinés aux États-Unis :

PUISSANCE DE SORTIE ET DISTORSION D'HARMONIQUE TOTALE : (FTC)

Avant G + Avant D :

Avec des charges de 4 ohms, les deux canaux en fonctionnement, de 200 Hz à 20 000 Hz ; puissance RMS débit 35 watts minimum par canal, avec un maximum de 1% de distorsion d'harmonique totale, de 250 milliwatts à la puissance nominale.

PUISSANCE DE SORTIE (référence)

Avant G/Avant D : 100 W (par canal sous 4 ohms, 1 kHz)

Modèles canadiens :

PUISSANCE DE SORTIE (nominale)

Avant G + Avant D :

50 W + 50 W (sous 4 ohms, 1 kHz, 1 % DHT)

PUISSANCE DE SORTIE (référence)

Avant G/Avant D : 100 W (par canal sous 4 ohms, 1 kHz)

Entrées

USB

ANALOG IN

TV IN OPTICAL

Sortie

HDMI OUT TV (ARC)

Section HDMI

Connecteur

Type A (19 broches)

Section USB

Port  (USB)

Type A

Section BLUETOOTH

Système de communication

Caractéristiques techniques

BLUETOOTH version 4.2

Sortie

Caractéristiques techniques

BLUETOOTH classe puissance 1

Plage de communication maximum

Ligne visuelle d'environ 25 m (82 pi)¹⁾

Bande de fréquence

Bande 2,4 GHz (2,4000 GHz – 2,4835 GHz)

Méthode de modulation

FHSS (Freq Hopping Spread Spectrum)

Profil BLUETOOTH compatibles²⁾

A2DP 1.2 (Advanced Audio Distribution Profile)

AVRCP 1.6 (Audio Video Remote Control Profile)

Codecs pris en charge³⁾

SBC⁴⁾, AAC⁵⁾

Plage de transmission (A2DP)

20 Hz – 20 000 Hz (Fréquence d'échantillonnage 32 kHz, 44,1 kHz, 48 kHz)

¹⁾ La plage actuelle varie en fonction de facteurs tels que des obstacles entre les appareils, un champ magnétique présent à proximité d'un micro-onde, de l'électricité statique, un téléphone sans fil, la sensibilité de réception, la performance de l'antenne, le système d'exploitation, l'application logicielle, etc.

²⁾ Les profils standard BLUETOOTH indiquent le but de la communication BLUETOOTH entre les appareils.

³⁾ Codec : Compression de signal audio et format de conversion

⁴⁾ Codec subband

⁵⁾ Codage audio avancé

Section haut-parleur Avant G/Avant D

Système de haut-parleurs

Système de haut-parleurs pleine gamme, Suspension acoustique

Haut-parleur

Conique de 60 mm (2 3/8 po)

Général

Alimentation

120 V CA, 60 Hz

Consommation d'énergie

Allumé : 45 W

En veille : 0,5 W ou moins (mode économie d'énergie)

(Quand « CTRL » dans « HDMI> » et « BTSTB » dans « BT > » sont réglés sur « OFF »)

En veille : 2,8 W ou moins⁶⁾

(Quand « CTRL » dans « HDMI> » ou « BTSTB » dans « BT > » est réglé sur « ON »)

Dimensions (l/h/p) (environ)

900 mm × 52 mm × 121 mm

(35 1/2 po × 2 1/8 po × 4 7/8 po)

(sans les supports de montage au mur)

900 mm × 121 mm × 59 mm

(35 1/2 po × 4 7/8 po × 2 3/8 po)

(avec les supports de montage au mur)

Poids (environ)

2,2 kg (4 lb 14 oz)

⁶⁾ Le système entre automatiquement en mode économie d'énergie quand il n'y a pas de connexion HDMI ou aucun historique d'appairage BLUETOOTH, quels que soient les réglages réalisés pour « CTRL » dans « HDMI> » et « BTSTB » dans « BT > ».

Subwoofer (SA-WCT390)

PUISSANCE DE SORTIE (référence)

100 W (par canal sous 4 ohms, 100 Hz)

Système de haut-parleurs

Système du subwoofer, Reflex graves

Haut-parleur

Conique de 130 mm (5 1/8 po)

Alimentation

120 V CA, 60 Hz

Consommation d'énergie

Allumé : 20 W

En veille : 0,5 W ou moins

Dimensions (l/h/p) (environ)
170 mm × 342 mm × 362 mm
(6 ³/₄ po × 13 ¹/₂ po × 14 ³/₈ po)
(installation verticale)
342 mm × 172 mm × 362 mm
(13 ¹/₂ po × 6 ⁷/₈ po × 14 ³/₈ po)
(installation horizontale)
Poids (environ)
6,5 kg (14 lb 6 oz)

Section transmetteur/ récepteur sans fil

Bande de fréquence
2,4 GHz (2,4000 GHz – 2,4835 GHz)
Méthode de modulation
FHSS (Freq Hopping Spread Spectrum)

La conception et les caractéristiques techniques sont susceptibles de changer sans avis préalable.

Connexion BLUETOOTH

- Les périphériques BLUETOOTH doivent être utilisés dans un rayon de 10 mètres (33 pieds) (distance sans obstacles) l'un de l'autre. La plage de communication effective peut être réduite dans les cas suivants.
 - Si une personne, un objet métallique, un mur ou autre obstacle est présent entre les appareils connectés en BLUETOOTH
 - Des lieux où une connexion LAN sans fil est installée
 - Autour d'un micro-onde en fonctionnement
 - Des lieux où d'autres ondes électromagnétiques sont présentes

- Les périphériques BLUETOOTH et le LAN sans fil (IEEE802.11b/g) utilisent la même bande de fréquence (2,4 GHz). Lorsque vous utilisez votre périphérique BLUETOOTH à proximité d'un périphérique ayant des capacités LAN sans fil, des interférences électromagnétiques peuvent survenir. Cela risque de provoquer des taux de transfert de données inférieurs, du bruit ou une impossibilité de se connecter. Si cela se produit, essayez les solutions suivantes :

- Utilisez ce système à une distance minimum de 10 mètres (33 pieds) de l'appareil LAN sans fil.
- Mettez l'appareil LAN sans fil hors tension lorsque vous utilisez votre périphérique BLUETOOTH dans un rayon de 10 mètres (33 pieds).
- Installez ce système et le périphérique BLUETOOTH le plus proche possible l'un de l'autre.
- Les ondes radio émises par ce système peuvent interférer avec le fonctionnement de certains appareils médicaux. Ces interférences pouvant provoquer un dysfonctionnement, mettez toujours ce système et le périphérique BLUETOOTH hors tension dans les endroits suivants :
 - Dans les hôpitaux, les trains, les avions, les stations essences et tout lieu où se trouvent des gaz inflammables
 - Près des portes automatiques ou des alarmes incendies
- Ce système prend en charge des fonctions de sécurité conformes aux spécifications BLUETOOTH afin de garantir une connexion sécurisée lors de la communication à l'aide de la technologie BLUETOOTH. Cependant, cette sécurité peut être insuffisante selon le contenu du réglage et d'autres facteurs, faites donc toujours attention lorsque vous effectuez une communication à l'aide de la technologie BLUETOOTH.

- Sony ne peut pas être tenu responsable pour tout dommage ou toute perte causée par des fuites d'information lors de la communication à l'aide de la technologie BLUETOOTH.
- La communication BLUETOOTH n'est pas forcément garantie avec tous les périphérique BLUETOOTH ayant le même profil que ce système.
- Les périphériques BLUETOOTH connectés à ce système doivent être conformes aux caractéristiques techniques BLUETOOTH prescrites par Bluetooth SIG, Inc., et doivent être certifiés conforme. Cependant, même dans le cas d'un périphérique BLUETOOTH certifié conforme, il est possible que certaines caractéristiques ou spécifications du périphérique BLUETOOTH rendent la connexion impossible, ou entraînent des méthodes de contrôle, un affichage ou un fonctionnement différent.
- Du bruit peut survenir ou le son peut se couper en fonction du périphérique BLUETOOTH connecté à ce système, de l'environnement de communication ou des conditions environnantes.

Para clientes de los EE.UU.

Registro del propietario

Los números de modelo y serie están situados en la parte inferior del panel de altavoces. Registre estos números en el espacio proporcionado a continuación. Indíquelos siempre que llame a su distribuidor Sony relacionado con este producto.

No. de modelo _____

No. de serie _____

ADVERTENCIA

Para reducir el riesgo de incendio o descargas eléctricas, no exponga este aparato a la lluvia ni humedad.

Para reducir el riesgo de incendio, no cubra la abertura de ventilación del aparato con periódicos, manteles, cortinas, etc.

No exponga el aparato a fuentes de llamas expuestas (por ejemplo, velas encendidas).

Para reducir el riesgo de incendio o descargas eléctricas, no exponga este aparato a derrames ni salpicaduras, y no coloque objetos llenos con líquidos, como jarrones, sobre el aparato.

No instale el aparato en un espacio cerrado, como un estante para libros o un gabinete integrado.

No exponga baterías ni aparatos con las baterías instaladas a calor excesivo, como la luz del sol y el fuego.

Para evitar lesiones, este aparato se debe instalar firmemente en el gabinete o acoplado al piso/pared de acuerdo a las instrucciones de instalación.

Para uso en interiores solamente.

En fuentes eléctricas

- La unidad no se desconecta de la red eléctrica mientras permanezca enchufada al tomacorriente de CA, incluso si la unidad está apagada.

- Si se utiliza un enchufe principal para desconectar la unidad de la red eléctrica, conecte la unidad a un tomacorriente de CA fácilmente accesible. Si nota alguna anomalía en la unidad, desconecte inmediatamente el enchufe principal del tomacorriente de CA.

Para el panel de altavoces

La placa de identificación y la fecha de fabricación se encuentran en la parte inferior.

Para clientes de los EE.UU.



La marca de precaución se encuentra en el recinto inferior (para el panel de altavoces).



Este símbolo tiene la intención de alertar al usuario sobre la presencia de "voltaje peligroso" sin aislamiento dentro de la carcasa del producto que puede ser lo suficientemente alto para representar un riesgo de descargas eléctricas para las personas.



Este símbolo tiene la intención de alertar al usuario sobre la presencia de instrucciones importantes de operación y mantenimiento (servicio) en el material impreso anexo al aparato.

Para cumplir con los límites de emisiones de la FCC se deben utilizar cables y conectores correctamente blindados y conectados a tierra para conexión a computadoras principales y/o componentes periféricos.

NOTA:

Este equipo ha sido probado y se comprobó que cumple con los límites para un dispositivo digital Clase B, en conformidad con la Parte 15 de las Normas de la FCC. Estos límites están diseñados para proporcionar protección razonable contra interferencia negativa en una instalación residencial. Este equipo genera, utiliza y puede irradiar energía de radiofrecuencia y, si no se instala y utiliza de acuerdo a las instrucciones, puede causar interferencia negativa a las radiocomunicaciones.

Sin embargo, no hay garantía de que no ocurrirá interferencia en una instalación en particular. Si este equipo causa interferencia negativa a la recepción de radio o televisión, lo cual puede ser determinado apagando y encendiendo el equipo, se le exhorta al usuario a tratar de corregir la interferencia realizando una o más de las siguientes acciones:

- Reoriente o reubique la antena receptora.
- Aumente la separación entre el equipo y el receptor.
- Conecte el equipo en un tomacorriente de un circuito diferente al que está conectado el receptor.
- Para obtener ayuda, consulte al distribuidor o a un técnico de radio/TV calificado.

PRECAUCIÓN

Se le advierte que cualquier cambio o modificación no aprobada expresamente en este manual podría invalidar su permiso para operar este equipo.

Este equipo no se debe colocar ni operar en conjunto con ninguna otra antena o transmisor.

Este equipo cumple con los límites de exposición a la radiación de la FCC definidos para un ambiente no controlado y cumple con los lineamientos de exposición a radiofrecuencia (RF) de la FCC. Este equipo tiene niveles muy bajos de energía de RF que se considera cumplen sin que se requiera una evaluación de exposición máxima permisible (MPE).

Instrucciones importantes de seguridad

- 1) Lea estas instrucciones.
- 2) Guarde estas instrucciones.
- 3) Preste atención a todas las advertencias.
- 4) Siga todas las instrucciones.
- 5) No utilice este aparato cerca del agua.
- 6) Limpie únicamente con un trapo seco.
- 7) No bloquee ninguna abertura de ventilación. Instale de acuerdo a las instrucciones del fabricante.
- 8) No instale cerca de ninguna fuente de calor como radiadores, registros de calor, estufas u otros aparatos (incluyendo amplificadores) que produzcan calor.
- 9) No deje sin efecto el propósito de seguridad del enchufe polarizado o de tipo con conexión a tierra. Un enchufe polarizado tiene dos hojas, una más ancha que la otra. Un enchufe de tipo con conexión a tierra tiene dos hojas y una tercera clavija con conexión a tierra. La hoja ancha o la tercera clavija se proporcionan para su seguridad. Si el enchufe proporcionado no entra en su tomacorriente, consulte a un eléctrico para que reemplace el tomacorriente obsoleto.

- 10) Proteja el cable de alimentación para evitar pisarlo o aplastarlo especialmente en los enchufes, receptáculos de tomas múltiples y en el lugar por donde salen del aparato.
- 11) Utilice únicamente aditamentos/ accesorios especificados por el fabricante.
- 12) Utilice únicamente con el carrito, plataforma, trípode, soporte o mesa especificada por el fabricante, o vendida con el aparato. Cuando utilice un carrito, tenga precaución al moverlo junto con el aparato para evitar lesiones provocadas por una volcadura.



- 13) Desenchufe este aparato durante tormentas eléctricas o cuando no se utilice por períodos de tiempo prolongados.
- 14) Remita cualquier servicio a personal de servicio calificado. Este aparato requiere servicio si se dañó de alguna manera, como por ejemplo si se dañó un cable o enchufe eléctrico, si se derramó líquido o cayeron objetos dentro del aparato, si el aparato se expuso a lluvia o humedad, si no opera correctamente o si se dejó caer.

Para clientes de Canadá

Se deben utilizar cables y conectores correctamente blindados y conectados a tierra para conexión a computadoras principales y/o componentes periféricos.

Este dispositivo cumple con las normas industriales canadienses RSS de excepción de licencias.

La operación está sujeta a las siguientes dos condiciones:

- (1) Este dispositivo no puede causar interferencias; y
- (2) Este dispositivo debe aceptar cualquier interferencia, entre las que se incluyen interferencias que pueden causar la operación no deseada del dispositivo.

Este equipo cumple con los límites de exposición a la radiación de la IC definidos para un entorno no controlado y cumple con la RSS-102 de las normas de exposición a radiofrecuencia (RF) de la IC.

Este equipo tiene niveles muy bajos de energía de RF que se considera cumplen sin que se requiera una evaluación de exposición máxima permisible (MPE). Sin embargo, convendría instalar y operar este equipo manteniendo el radiador a una distancia de al menos 20 cm o más del cuerpo de la persona.

Derechos de autor y marcas registradas

- Este sistema cuenta con Dolby* Digital y DTS** Digital Surround System (sistema envolvente digital).

- * Fabricado con la autorización de Dolby Laboratories.

Dolby y el símbolo de doble D son marcas comerciales de Dolby Laboratories.

- ** Para las patentes de DTS, consulte <http://patents.dts.com>. Fabricado bajo licencia de DTS Licensing Limited. DTS, el símbolo, y DTS y el símbolo juntos son marcas comerciales registradas, y DTS Digital Surround es una marca registrada de DTS, Inc. © DTS, Inc. Todos los derechos reservados.

- La marca mundial y los logos de BLUETOOTH® son marcas comerciales registradas propiedad de Bluetooth SIG, Inc. y cualquier uso de dichas marcas por parte de Sony Corporation es bajo licencia. Otras marcas registradas y nombres comerciales son propiedad de sus respectivos propietarios.
- Este sistema cuenta con tecnología de High-Definition Multimedia Interface (interfaz multimedia de alta definición) (HDMI™). Los términos HDMI e HDMI High-Definition Multimedia Interface, y el logo de HDMI son marcas registradas o marcas comerciales registradas de HDMI Licensing LLC en los Estados Unidos y en otros países.
- N-Mark es una marca registrada o marca comercial registrada del NFC Forum, Inc., en los Estados Unidos y en otros países.
- Android™ es una marca comercial de Google Inc.
- Google Play™ es una marca comercial de Google Inc.
- "BRAVIA" es una marca registrada de Sony Corporation.
- "PlayStation" es una marca comercial registrada de Sony Computer Entertainment Inc.
- Tecnología de codificación de audio MPEG Layer-3 y patentes con licencia de Fraunhofer IIS y Thomson.
- Windows Media es una marca comercial registrada o marca registrada de Microsoft Corporation en los Estados Unidos y/o en otros países.
- Este producto está protegido por ciertos derechos de propiedad intelectual de Microsoft Corporation. El uso o distribución de dicha tecnología fuera de este producto está prohibido sin una licencia de Microsoft o de una subsidiaria autorizada de Microsoft.
- "ClearAudio+" es una marca registrada de Sony Corporation.

- Apple, el logo de Apple, iPhone, iPod, iPod touch y Retina son marcas registradas de Apple Inc., registradas en Estados Unidos y otros países. App Store es una marca de servicio de Apple Inc.

"Made for iPod" y "Made for iPhone" significa que un accesorio electrónico ha sido diseñado específicamente para conectarse con iPod y iPhone. Respectivamente, ha sido certificado por el desarrollador para cumplir con los estándares de rendimiento de Apple. En ningún caso Apple se hace responsable de la operación de este dispositivo o de su cumplimiento con los estándares de regulación y seguridad. Por favor, tenga en cuenta que el uso de este accesorio con el iPod o iPhone puede afectar el rendimiento inalámbrico.

Modelos de iPod/iPhone compatibles

Los modelos de iPod/iPhone compatibles son los siguientes. Actualice su iPod/iPhone con el software más reciente antes de utilizarlo con el sistema.

La tecnología BLUETOOTH funciona con:

- iPhone 6s Plus/iPhone 6s/
iPhone 6 Plus/iPhone 6/iPhone 5s/
iPhone 5c/iPhone 5
- iPod touch (6ª generación)/
iPod touch (5ª generación)
- Otros nombres de sistemas y productos son generalmente marcas registradas o marcas comerciales registradas de los fabricantes. Las marcas ™ y ® no están indicadas en este documento.

Acerca de este Manual de Instrucciones

- Este Manual de Instrucciones describe los controles del control remoto. También puede utilizar los controles del panel de altavoces si tienen los mismos nombres o nombres similares a los del control remoto.
- Algunas ilustraciones se presentan como dibujos conceptuales, y pueden ser diferentes de los productos reales.
- El ajuste predeterminado está subrayado.
- El texto encerrado entre comillas dobles (" -- ") aparece en la pantalla del panel superior.

Contenidos

Conexión ➔ Guía de inicio (documento independiente)

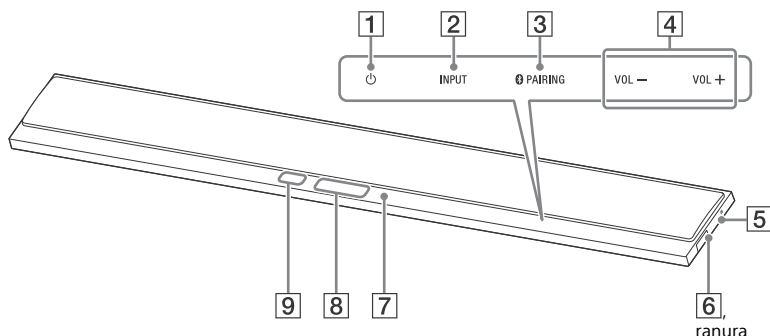
Acerca de este Manual de Instrucciones	6	Cómo instalar el altavoz de subgraves activo (subwoofer) horizontalmente	24
Guía para partes y controles	8	Cómo activar la transmisión inalámbrica entre unidades específicas (Enlace Seguro)	24
Cómo escuchar		Cómo ajustar el volumen del altavoz de subgraves activo (subwoofer)	25
Cómo escuchar sonido de los dispositivos conectados	11	Información adicional	
Cómo escuchar música desde un dispositivo USB	12	Precauciones	25
Ajustes de sonido		Localización y corrección de fallas	26
Cómo disfrutar de los efectos de sonido	13	Tipos de archivos reproducibles	32
Funciones BLUETOOTH		Formatos de audio soportados	32
Cómo escuchar música desde un dispositivo BLUETOOTH	14	Especificaciones	33
Cómo controlar el sistema con un smartphone o una tableta (SongPal)	16	Sobre la comunicación BLUETOOTH	34
Configuraciones y ajustes			
Cómo utilizar la pantalla de configuración	17		
Otras funciones			
Cómo utilizar la función Control para HDMI	20		
Cómo utilizar la función "BRAVIA" Sync	21		
Ahorro de energía en el modo en espera	22		
Montaje del panel de altavoces en una pared	22		


Guía para partes y controles

Para obtener más información, consulte las páginas indicadas entre paréntesis.

Panel de altavoces

El panel superior y lateral



1 Tecla táctil  (alimentación)
Enciende el sistema o lo ajusta en el modo en espera.


2 Tecla táctil INPUT
Selecciona el dispositivo que desea utilizar.

3 Tecla táctil  PAIRING

4 Tecla táctil VOL (volumen) +/-

5  (N-Mark) (página 15)

Coloque el dispositivo compatible con NFC cerca de esta indicación para activar la función NFC.

6 Puerto  (USB) (página 12)
Coloque la uña en la ranura (desde abajo) para abrir la tapa.

7 Indicador LED azul
Muestra el estado de BLUETOOTH del siguiente modo.

Durante el emparejamiento de BLUETOOTH	Destella rápidamente
El sistema está intentando conectarse a un dispositivo BLUETOOTH	Destellos
El sistema ha establecido conexión con un dispositivo BLUETOOTH	Encendido

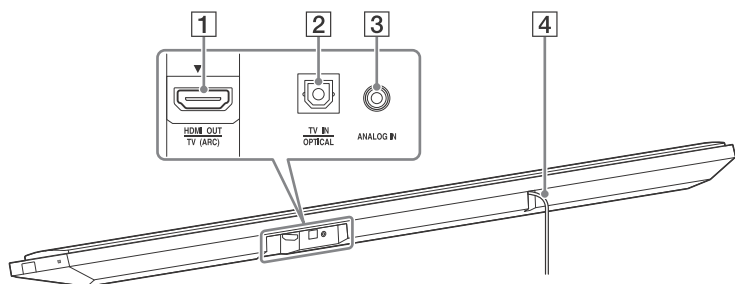
8 Pantalla del panel superior

9 Sensor del control remoto

Acerca de las teclas táctiles

Las teclas táctiles funcionan cuando se tocan ligeramente. No los presione con demasiada fuerza.

Panel trasero



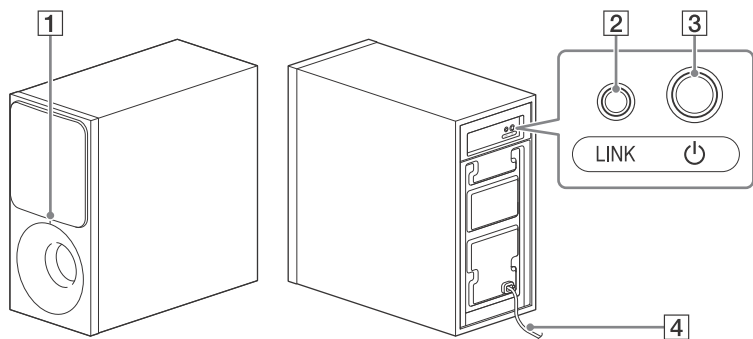
1 Toma HDMI OUT TV (ARC)

2 Toma TV IN OPTICAL

3 Toma ANALOG IN

4 Cable de alimentación de CA

Altavoz de subgraves activo (subwoofer)



1 Indicador de alimentación

- Luces apagadas: La alimentación está desactivada.
- Rojo: No está conectado al panel de altavoces (modo en espera).
- Verde: Está conectado con el panel de altavoces (no se estableció la conexión Enlace Seguro).

- Naranja: Se estableció la conexión Enlace Seguro.

2 LINK (página 24)

3 (alimentación)

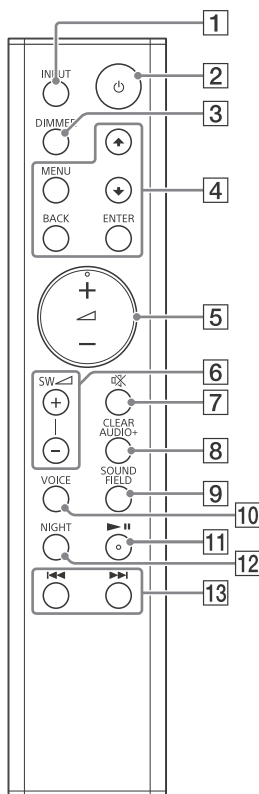
Activa el altavoz de subgraves activo (subwoofer), o lo ajusta en el modo de espera.

4 Cable de alimentación de CA

Acerca del modo de espera

El altavoz de subgraves activo (subwoofer) entra en modo de espera automáticamente y el indicador de alimentación se vuelve rojo cuando el panel de altavoces se encuentra en modo de espera o la transmisión inalámbrica está desactivada. El altavoz de subgraves activo (subwoofer) se enciende automáticamente cuando el panel de altavoces se enciende y la transmisión inalámbrica se activa.

Control remoto



1 INPUT (página 11)

2 (alimentación)

Enciende el sistema o lo ajusta en el modo en espera.

3 DIMMER

Ajuste el brillo de la pantalla del panel superior.

"BRIGHT" → "DARK" → "OFF"

- La pantalla del panel superior se apaga cuando "OFF" está seleccionado. Se activa automáticamente al presione cualquier botón, a continuación, se apaga de nuevo si el sistema no se utiliza durante unos segundos. Sin embargo, en algunos casos, puede que la pantalla del panel superior no se apague. En este caso, el brillo de la pantalla del panel superior es igual a "DARK".

4 MENU

Activa/desactiva el menú en la pantalla del panel superior.



Selecciona los elementos del menú.

ENTER

Introduce la selección.

BACK

Regresa a la pantalla anterior.

Detiene la reproducción del USB.

5 (volumen) +/-

Ajusta el volumen.

6 SW (volumen del altavoz de subgraves activo (subwoofer)) +/- (página 25)

Ajusta el volumen de graves.

7 (silenciado)

Suspende el sonido temporalmente.

8 CLEARAUDIO+

Selecciona automáticamente la configuración de sonido adecuada para la fuente de sonido.

9 SOUND FIELD (página 13)

Selecciona un modo de sonido.

10 VOICE (página 13)**11 ►||* (reproducción/pausa)**

Hace una pausa o reanuda la reproducción.

12 NIGHT (página 13)**13 ◀◀/▶▶ (anterior/siguiente/retroceso/avance rápido)**

Presione para seleccionar la pista o el archivo anterior/siguiente. Mantener presionado para buscar hacia atrás o hacia adelante.

* Los botones ►|| y ◀ + tienen un punto táctil. Use el punto táctil como referencia cuando opere el control remoto.

Cómo escuchar

Cómo escuchar sonido de los dispositivos conectados

Presione repetidamente INPUT.

Cuando presione INPUT una vez, el dispositivo en curso aparece en la pantalla del panel superior, entonces cada vez que presione INPUT, el dispositivo cambiará cíclicamente de la siguiente manera.

"TV" → "ANALOG" → "BT" → "USB"

"TV"

Dispositivo (TV, etc.) que está conectado a la toma de TV IN OPTICAL o a un TV compatible con la función de Canal de Retorno de Audio que está conectado a la toma HDMI OUT TV (ARC)


"ANALOG"

Dispositivo (reproductor de medios digitales, etc.) que está conectado a la toma ANALOG IN

"BT"

Dispositivo BLUETOOTH que soporta A2DP (página 14)

"USB"

Dispositivo USB que está conectado al puerto  (USB) (página 12)

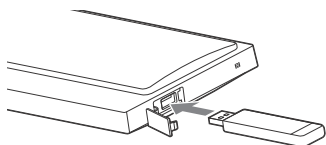
Cómo escuchar música desde un dispositivo USB

Puede reproducir archivos de música en un dispositivo USB conectado.

Para tipos de archivos reproducibles, consulte "Tipos de archivos reproducibles" (página 32).

1 Conecte el dispositivo USB al puerto (USB).

Consulte el Manual de Instrucciones del dispositivo USB antes de hacer la conexión.





2 Presione INPUT repetidamente para seleccionar "USB".

La lista del contenido USB aparece en la pantalla del televisor.

3 Presione / para seleccionar el contenido que desea, luego presione ENTER.

Se iniciará la reproducción del contenido seleccionado.

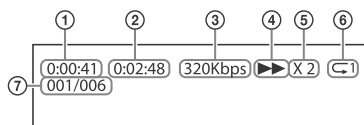
4 Ajuste el volumen.

- Ajuste el volumen del panel de altavoces presionando  +/-.
- Ajuste el volumen del altavoz de subgraves activo (subwoofer) presionando SW  +/-.

Nota

No quite el dispositivo USB cuando esté en funcionamiento. Para evitar corrupción de datos o daño del dispositivo USB, apague el sistema antes de quitar el dispositivo USB.

Información del dispositivo USB en la pantalla del televisor



- ① Tiempo de reproducción
- ② Tiempo total de reproducción
- ③ Tasa de bits
- ④ Estado de reproducción
- ⑤ Rebobinar/velocidad de avance rápido
- ⑥ Estado de repetición de reproducción
- ⑦ Índice de archivos seleccionados/
Total de archivos de la carpeta

Notas

- Dependiendo de la fuente que se está reproduciendo, puede que alguna información no se muestre.
- Dependiendo del modo de reproducción, la información mostrada puede ser diferente.

Ajustes de sonido

Cómo disfrutar de los efectos de sonido

Puede disfrutar con facilidad de campos de sonido preprogramados que están adaptados a diferentes clases de fuentes de sonido.

Selección del campo de sonido

Presione SOUND FIELD repetidamente hasta que el campo de sonido que desea se encuentre en la pantalla del panel superior.

"CLEARAUDIO+"

Puede disfrutar del sonido con el campo de sonido recomendado de Sony. El campo de sonido se optimiza automáticamente de acuerdo con el contenido de reproducción y la función.

"MOVIE"

Los sonidos se reproducen con efectos de sonido envolvente que son realistas y potentes, lo que los convierte en adecuados para películas.

"MUSIC"

Los efectos de sonido están optimizados para escuchar música.

"SPORTS"

Los comentarios se escuchan de forma clara, se pueden escuchar los ánimos de los aficionados de fondo y los sonidos son realistas.

"GAME"

Los sonidos son potentes y realistas, adecuados para los juegos.

"STANDARD"

Sonido que corresponde a cada una de las fuentes.

Consejo

También puede presionar CLEARAUDIO+ para seleccionar "CLEARAUDIO+".

Uso de la función de modo Noche

Esta función resulta útil cuando se ven películas a una hora tardía por la noche. Podrá escuchar los diálogos de forma clara incluso con un nivel de volumen bajo.

Presione NIGHT para seleccionar "N.ON".

Para desactivar el modo Noche, presione NIGHT para seleccionar "N.OFF".

Uso de la función Voz Clara

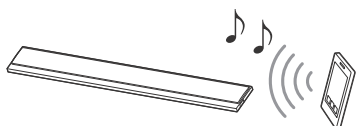
Esta función ayuda a que los diálogos sean más claros.

Presione repetidamente VOICE.

- "UP OFF": La función Voz Clara está apagada.
- "UP 1": El rango de los diálogos está habilitado.
- "UP 2": El rango de los diálogos está habilitado, y se amplifican las secciones del rango que sean de difícil comprensión para las personas mayores.

Funciones BLUETOOTH

Cómo escuchar música desde un dispositivo BLUETOOTH



Cómo emparejar este sistema con un dispositivo BLUETOOTH

El emparejamiento es una operación en donde los dispositivos BLUETOOTH se registran uno con otro por adelantado. Una vez que se realiza esta operación, no es necesario volverla a realizar.

1 Coloque el dispositivo BLUETOOTH a menos de 1 metro (3,3 pies) del panel de altavoces.

2 Presione  PAIRING en el panel de altavoces.

El indicador LED azul del panel de altavoces parpadea rápidamente durante el emparejamiento BLUETOOTH.

3 Active la función BLUETOOTH y luego seleccione "HT-CT390" después de buscarlo en el dispositivo BLUETOOTH.

Realice este paso en 5 minutos, ya que de lo contrario podría cancelarse el modo de emparejamiento.

Cuando se establezca la conexión BLUETOOTH, el indicador LED azul se iluminará.

Notas

- Si el dispositivo BLUETOOTH requiere una clave de acceso, ingrese "0000". Es posible que la clave de acceso se llame "Código de acceso", "Código PIN", "Número PIN" o "Contraseña".
- Puede emparejar hasta 9 dispositivos BLUETOOTH. Si empareja un décimo dispositivo BLUETOOTH, el dispositivo conectado menos recientemente será reemplazado por el nuevo.

Cómo escuchar música desde el dispositivo emparejado

1 Encienda la función BLUETOOTH del dispositivo emparejado.

2 Presione repetidamente INPUT para seleccionar "BT".

El sistema se reconecta automáticamente al último dispositivo BLUETOOTH con el que estuvo conectado.

Cuando se establezca la conexión BLUETOOTH, el indicador LED azul se iluminará.

3 Inicie la reproducción en el dispositivo BLUETOOTH.

4 Ajuste el volumen.

- Ajuste el volumen en el dispositivo BLUETOOTH.
- Ajuste el volumen del panel de altavoces presionando +/-.
- Ajuste el volumen del altavoz de subgraves activo (subwoofer) presionando SW +/-.

Notas

- Una vez que el sistema y el dispositivo BLUETOOTH estén conectados, podrá controlar la reproducción presionando y .


- Puede conectarse al sistema desde un dispositivo BLUETOOTH emparejado incluso cuando el sistema se encuentra en modo en espera, siempre que haya configurado la función "BTSTB" como "ON" (página 18).
- La reproducción de audio en este sistema se puede demorar a partir del dispositivo BLUETOOTH debido a las características de la tecnología inalámbrica BLUETOOTH.

Consejo

Puede habilitar o inhabilitar el códec AAC desde el dispositivo BLUETOOTH (página 18).

Para desconectar el dispositivo BLUETOOTH

Lleve a cabo cualquiera de las siguientes acciones.

- Presione  PAIRING en el panel de altavoces otra vez.
- Inhabilite la función BLUETOOTH en el dispositivo BLUETOOTH.
- Apague el sistema o el dispositivo BLUETOOTH.

Conexión a un dispositivo remoto mediante la función de un solo toque (NFC)

NFC (comunicación de campo cercano) es una tecnología que habilita la comunicación inalámbrica de corto alcance entre diversos dispositivos. Al mantener un dispositivo remoto compatible con NFC cerca de la N-Mark en el panel de altavoces, el sistema y el dispositivo remoto procederán a completar el emparejamiento y la conexión BLUETOOTH automáticamente.

Dispositivos remotos compatibles

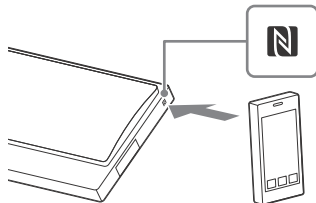
Dispositivos remotos con una función NFC integrada

(Sistema operativo: Android 2.3.3 o posterior, excluyendo Android 3.x)

Notas

- El sistema solo puede reconocer y conectarse con un dispositivo compatible con NFC a la vez.
- Dependiendo de su dispositivo remoto, es posible que necesite ejecutar las siguientes acciones en su dispositivo remoto por adelantado.
 - Active la función NFC. Para más detalles, consulte el Manual de Instrucciones del dispositivo remoto.
 - Si su dispositivo remoto tiene una versión de sistema operativo anterior a Android 4.1.x, descargue e inicie la aplicación "NFC Easy Connect". "NFC Easy Connect" es una aplicación gratis para los dispositivos remotos con Android que se puede obtener en Google Play. (Es posible que la aplicación no esté disponible en algunos países y regiones.)

- 1 **Mantenga el dispositivo remoto cerca de la N-Mark en el panel de altavoces hasta que el dispositivo remoto vibre.**



Siga las instrucciones en pantalla mostradas en el dispositivo remoto y complete el procedimiento de conexión BLUETOOTH. Cuando se establezca la conexión BLUETOOTH, el indicador LED azul que se encuentra en el panel de altavoces se iluminará.

2 Inicie la reproducción de la fuente de audio en el dispositivo remoto.

Para más detalles acerca de las operaciones de reproducción, consulte el Manual de Instrucciones del dispositivo remoto.

3 Ajuste el volumen.

- Ajuste el volumen en el dispositivo BLUETOOTH.
- Ajuste el volumen del panel de altavoces presionando \triangleleft +/-.
- Ajuste el volumen del altavoz de subgraves activo (subwoofer) presionando SW \triangleleft +/-.

Consejo

Si falla el está emparejando y la conexión BLUETOOTH, haga lo siguiente.

- Mantenga el dispositivo remoto cerca de la N-Mark en el panel de altavoces nuevamente.
- Quite la funda del dispositivo remoto en caso de que se esté utilizando una funda para dispositivo remoto disponible comercialmente.
- Vuelva a iniciar la aplicación "NFC Easy Connect".

Cómo detener la reproducción con la función de un solo toque

Mantenga el dispositivo remoto cerca de la N-Mark en el panel de altavoces otra vez.



Cómo controlar el sistema con un smartphone o una tableta (SongPal)

SongPal es una aplicación dedicada para operar dispositivos de audio compatibles con SongPal fabricados por Sony utilizando un smartphone o una tableta. Busque SongPal en Google Play o en App Store y descárguela utilizando su smartphone o tableta.

SongPal le permite:

- cambiar los ajustes utilizados comúnmente, seleccionando la entrada del sistema y ajustando el volumen.
- disfrute del contenido musical almacenado en un smartphone con el sistema.
- disfrutar visualmente la música con la pantalla de su smartphone.

Notas

- Este sistema es compatible con la versión SongPal 3.3 o posterior.
- SongPal utiliza la función BLUETOOTH del sistema.
- Las especificaciones y el diseño de la pantalla de SongPal están sujetas a cambios sin previo aviso.

Uso de SongPal

- 1 Descargue la aplicación SongPal gratuita en el dispositivo remoto.
- 2 Conecte el sistema y el dispositivo remoto con la conexión BLUETOOTH (página 14).
- 3 Inicie SongPal.
- 4 Úselo siguiendo la pantalla SongPal.

Cómo utilizar la pantalla de configuración

Puede ajustar los siguientes elementos con el menú. Sus ajustes se conservan incluso si se desconecta el cable de alimentación de CA.

- 1 Presione **MENU** para activar el menú en la pantalla del panel superior.
- 2 Presione repetidamente **BACK/◀/▶/ENTER** para seleccionar el elemento y presione **ENTER** para seleccionar el ajuste que desea.
- 3 Presione **MENU** para apagar el menú.

Lista de menús

Los ajustes predeterminados están subrayados.

Elementos del menú	Función	
"LVL >" (Nivel)	"ATT" (Configuraciones de atenuación – Analógico)	Es posible que se produzca distorsión al escuchar un dispositivo conectado a la toma ANALOG IN. Puede evitar la distorsión atenuando el nivel de entrada en el sistema. <ul style="list-style-type: none"> • "<u>ON</u>": Atenúa el nivel de entrada. El nivel de salida disminuirá en este ajuste. • "<u>OFF</u>": Nivel de entrada normal.
	"DRC" (Control de rango dinámico)	Útil para disfrutar de películas con un volumen de sonido bajo. DRC hace referencia a las fuentes Dolby Digital. <ul style="list-style-type: none"> • "<u>ON</u>": Comprime sonido de acuerdo con la información presente en el contenido. • "<u>OFF</u>": El sonido no está comprimido.
"SPK >" (Altavoz)	"PLACE" (Colocación de los altavoces)	<ul style="list-style-type: none"> • "<u>STDRD</u>": Seleccione este ajuste si instala el panel de altavoces en posición estándar. • "<u>WALL</u>": Seleccione este ajuste si monta el panel de altavoces en una pared (página 22).
"AUD >" (Audio)	"DUAL" (Mono dual)	Puede disfrutar de sonido de transmisión multiplex cuando el sistema recibe una señal de transmisión multiplex Dolby Digital. <ul style="list-style-type: none"> • "<u>M/S</u>": Se escuchará sonido combinado de los idiomas principal y secundario. • "<u>MAIN</u>": Se escuchará el sonido del idioma principal. • "<u>SUB</u>": Se escuchará el sonido del idioma secundario.
	"TV AU" (Audio del televisor)	<ul style="list-style-type: none"> • "<u>AUTO</u>": Seleccione esta configuración cuando el sistema esté conectado a una toma de HDMI (ARC) de un televisor con un cable HDMI. • "<u>OPT</u>": Seleccione esta configuración cuando el sistema esté conectado a un televisor con el cable óptico digital.
	"EFCT" (Efecto de sonido)	<ul style="list-style-type: none"> • "<u>ON</u>": Se reproduce el sonido del campo de sonido seleccionado. Se recomienda utilizar este ajuste. • "<u>OFF</u>": La fuente de entrada está mezclada para 2 canales.

Elementos del menú	Función	
"STRM" (Stream)	Muestra la información actual flujo de audio. Consulte la página 32 que trata sobre los formatos de audio soportados.	
"HDMI->"	"CTRL" (Control para HDMI)	<ul style="list-style-type: none"> • "ON": La función Control para HDMI está activada. Los dispositivos conectados con un cable HDMI se pueden controlar entre sí. • "OFF": Apagado.
	"TVSTB" (En espera vinculado a la televisión)	<p>Esta función está disponible cuando se ajusta "CTRL" en "ON".</p> <ul style="list-style-type: none"> • "AUTO": Si la entrada del sistema es "TV", el sistema se apaga automáticamente cuando se apaga el televisor. • "ON": El sistema se apaga automáticamente cuando se apaga el televisor independientemente de la entrada. • "OFF": El sistema no se apaga cuando se apaga el televisor.
	"COLOR" (HDMI color)	<ul style="list-style-type: none"> • "AUTO": Detecta automáticamente el tipo de dispositivo externo y cambia a la configuración de color de coincidencia. • "YCbCr": Salidas YCbCr señales de vídeo. • "RGB": Salidas RGB señales de vídeo.
"BT >" (BLUETOOTH)	"BTAAC" (Codificación de audio avanzado BLUETOOTH)	<p>Puede ajustar si el sistema emplea AAC a través de BLUETOOTH.</p> <ul style="list-style-type: none"> • "ON": Active el códec AAC. • "OFF": Desactive el códec AAC.
	Nota	
	Si cambia la configuración "BTAAC" cuando se conecta un dispositivo BLUETOOTH, la configuración del codec se refleja únicamente después de la siguiente conexión.	
"BTSTB" (BLUETOOTH en espera)	"BTSTB" (BLUETOOTH en espera)	<p>Cuando el sistema dispone de información de emparejamiento, el sistema está en el modo de espera BLUETOOTH, incluso cuando está apagado.</p> <ul style="list-style-type: none"> • "ON": El modo de espera BLUETOOTH está habilitado. • "OFF": El modo de espera BLUETOOTH está deshabilitado.
	"INFO" (Información del dispositivo BLUETOOTH)	<p>El nombre de dispositivo BLUETOOTH detectado y la dirección del dispositivo aparecen en la pantalla del panel superior.</p> <p>"NO DEVICE" aparece si el sistema no está conectado a una dispositivo BLUETOOTH.</p>
	"LINK" (Secure Link enlace seguro)	<ul style="list-style-type: none"> • "ON": Puede especificar la conexión inalámbrica para vincular el panel de altavoces con el altavoz de subgraves activo (subwoofer) utilizando la función Secure Link (enlace seguro) (página 24). • "OFF": Apagado.
"WS >" (Sonido inalámbrico)	"REPT" (Modo de reproducción)	<ul style="list-style-type: none"> • "NONE": Reproduce todas las pistas. • "ONE": Repite una pista. • "FLDER": Repite todas las pistas de una carpeta. • "RANDM": Repite todas las pistas de una carpeta en orden aleatorio. • "ALL": Repite todas las pistas.

Elementos del menú		Función
"SYS >" (Sistema)	"ASTBY" (Modo de espera automático)	<ul style="list-style-type: none">• "ON": Activa la función de espera automática. Cuando no se opera el sistema durante aproximadamente 20 minutos, el sistema entra automáticamente en el modo en espera.• "OFF": Apagado.
	"VER" (Versión)	La información sobre la versión de firmware en curso aparece en la pantalla del panel superior.

Otras funciones

Cómo utilizar la función Control para HDMI

Conexión de un dispositivo, como un televisor o Reproductor de Disco Blu-ray compatible con la función Control para HDMI* por cable HDMI (Cable HDMI de alta velocidad con Ethernet, no suministrado) le permite operar fácilmente el dispositivo mediante un control remoto de televisor.

Las siguientes funciones se pueden usar con la función de Control para HDMI.

- Función de apagado del sistema
- Función de control de audio del sistema
- Canal de Retorno de Audio
- Función de reproducción con un solo toque

* El Control para HDMI es un estándar utilizado por CEC (Siglas en inglés de Control de Dispositivos Electrónicos de Consumo) para permitir que los dispositivos HDMI (Siglas en inglés de Interfaz Multimedia de Alta Definición) se puedan controlar entre sí.

Nota

Puede que estas funciones puedan operar con dispositivos que no estén fabricados por Sony, pero es algo que no se garantiza.

Cómo prepararse para usar con la función de Control para HDMI

Ajuste "HDMI>" – "CTRL" en el sistema en "ON" (página 18). El ajuste predeterminado es "ON".

Habilita la función Control para HDMI de los ajustes del televisor y el otro dispositivo conectado al sistema.

Consejo

Si habilita con la función de Control para HDMI ("BRAVIA" sync) cuando use un televisor fabricado por Sony, con la función de Control para HDMI del sistema también se activa automáticamente. Una vez finalizados los ajustes "DONE" aparece en la pantalla del panel superior.

Función de apagado del sistema

Cuando se apaga el televisor, el sistema se apagará automáticamente.

Ajuste "HDMI>" – "TVSTB" en el sistema en "ON" o "AUTO" (página 18). El ajuste predeterminado es "AUTO".

Función de control de audio del sistema

Si enciende el sistema mientras está viendo la televisión, el sonido de la televisión se escuchará automáticamente desde los altavoces del sistema. El volumen del sistema se puede ajustar mediante el control remoto del televisor.

Si el sonido del televisor salía de los altavoces del sistema la última vez que vio televisión, el sistema se activará automáticamente cuando se encienda el televisor.

Las operaciones también se pueden realizar mediante el menú del televisor. Para más detalles, consulte el Manual de Instrucciones de su TV.

Notas

- El sonido solo se emite del televisor si se selecciona otra entrada diferente a "TV" cuando se utiliza la función Imagen Doble en el televisor. Cuando se desactiva la función Imagen Doble, el sonido se emite desde el sistema.

- El nivel de volumen del sistema aparece en la pantalla del televisor dependiendo del televisor. Puede que sea diferente del nivel de volumen que aparece en la pantalla del panel superior.
- Dependiendo de la configuración del televisor, la función Control de audio del sistema puede no estar disponible. Para más detalles, consulte el Manual de Instrucciones de su TV.

Canal de Retorno de Audio

Si el sistema está conectado a la toma HDMI IN de un televisor compatible con Canal de Retorno de Audio, podrá escuchar el sonido del televisor desde los altavoces del sistema sin necesidad de conectar un cable óptico digital. En el sistema, ajuste "AUD >" – "TV AU" en "AUTO" (página 17). El ajuste predeterminado es "AUTO".

Nota

Si el televisor no es compatible con Canal de Retorno de Audio, es necesario conectar un cable óptico digital (Consulte la Guía de inicio suministrada).

Función de reproducción con un solo toque

Al reproducir el contenido en un dispositivo (Reproductor de Disco Blu-ray, "PlayStation®4", etc.) conectado al televisor, el sistema y el televisor se encienden automáticamente, la entrada del sistema se activa en la entrada para el televisor, y el sonido se emite desde los altavoces del sistema.

Notas

- Si el sonido del televisor se emitió desde los altavoces del televisor la anterior vez que vio la televisión, el sistema no se enciende y el sonido y la imagen se emiten desde el televisor, incluso si se reproduce el contenido del dispositivo.

- Dependiendo del televisor, puede que la parte inicial del contenido que se está reproduciendo no se reproduzca correctamente.

Cómo utilizar la función "BRAVIA" Sync

Además de la función Control para HDMI, también puede utilizar la siguiente función en los dispositivos compatibles con la función de sincronización "BRAVIA".

- Función de selección de escena

Nota

Esta función es una propiedad de Sony. Esta función no funcionará con productos que no sean los fabricados por Sony.

Función de selección de escena

El campo de sonido del sistema se activa automáticamente según los ajustes de la función de selección de escena del televisor o la función del modo de sonido del televisor. Para más detalles, consulte el Manual de Instrucciones de su TV.

Ajuste el campo de sonido en "CLEARAUDIO+" (página 13).

Notas acerca de las conexiones HDMI

- Utilizar un cable HDMI de alta velocidad. Si utiliza un cable HDMI estándar, es posible que el contenido de 1080p no se visualice correctamente.
- Utilice un cable autorizado HDMI. Utilice un cable HDMI de alta velocidad de Sony con el logotipo del tipo de cable.

- No recomendamos el uso de un cable de conversión HDMI-DVI.
- Compruebe la configuración del equipo conectado si una imagen es deficiente o el sonido no sale del equipo conectado a través del cable HDMI.
- Las señales de audio (frecuencia de muestreo, longitud de bits, etc.) transmitidas desde una toma HDMI podrían resultar suprimidas por el equipo conectado.
- El sonido se podría interrumpir al cambiar la frecuencia de muestreo o el número de canales de las señales de salida de audio del equipo de reproducción.
- Si el equipo conectado no es compatible con la tecnología de protección de derechos de autor (HDCP), la imagen y/o el sonido procedente de toma HDMI OUT de este sistema puede resultar distorsionado o no se emita. En este caso, compruebe las especificaciones del equipo conectado.

Ahorro de energía en el modo en espera

Verifique que ya ha realizado los siguientes ajustes:

- "CTRL" en "HDMI>" está ajustado en "OFF" (página 18).
- "BTSTB" en "BT >" está ajustado en "OFF" (página 18).

Montaje del panel de altavoces en una pared

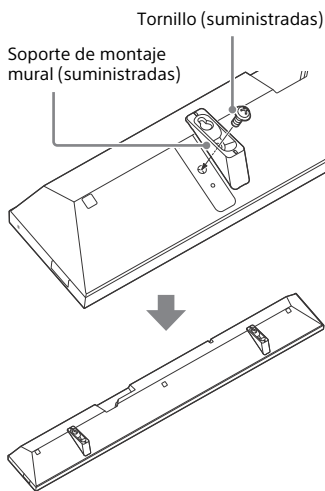
Puede montar el panel de altavoces en una pared.

Notas

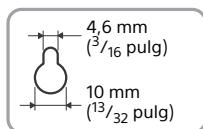
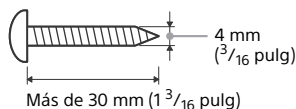
- Prepare unos tornillos (no suministrados) que sean apropiados para el material y la resistencia de la pared. Puesto que las paredes de yeso son especialmente frágiles, enrosque los tornillos en dos vástagos de la viga de la pared. Instale el panel de altavoces horizontalmente, con unos tornillos colocados en vástagos en una sección plana y continua de la pared.
- Asegúrese de subcontratar la instalación a su distribuidor de Sony o a técnicos cualificados, y preste especial atención a la seguridad durante la instalación.
- Sony no se responsabiliza de accidentes o daños causados por una instalación inadecuada, una pared de poca resistencia, una instalación incorrecta de los tornillos, desastres naturales, etc.

- 1** Fije los soportes de montaje mural que se incluyen en los orificios de fijación del soporte en la parte inferior del panel de altavoces, para ello use los tornillos que se incluyen de manera que la superficie de cada soporte de montaje mural sea como se muestra en la ilustración.

Fije los dos soportes de montaje mural en los agujeros de fijación de la izquierda y de la derecha en la parte inferior del panel de altavoces.



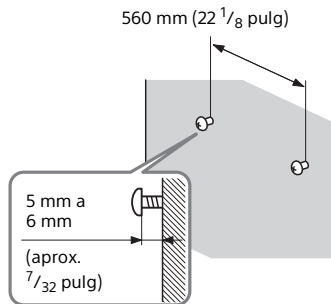
- 2** Prepare los tornillos (no suministrados) que sean apropiados para los orificios del soporte de montaje mural.



Agujero en el soporte

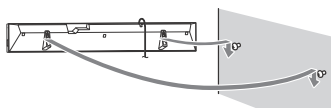
- 3** Fije los tornillos a los 2 montantes en la pared.

Los tornillos deben sobresalir entre 5 mm y 6 mm (aprox. $7/32$ pulg).



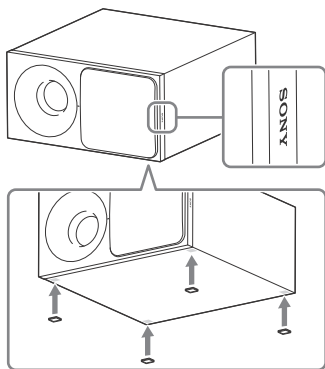
- 4** Cuelgue el panel de altavoces en los tornillos.

Alinee los orificios de los soportes con los tornillos, a continuación, cuelgue el panel de altavoces de los dos tornillos.



Cómo instalar el altavoz de subgraves activo (subwoofer) horizontalmente

Coloque el altavoz de subgraves activo (subwoofer) en el lado derecho con el logotipo de "SONY" en posición frontal.



Fije las almohadillas para altavoces que se incluyen.

Cómo activar la transmisión inalámbrica entre unidades específicas (Enlace Seguro)

Puede especificar la conexión inalámbrica para vincular el panel de altavoces con el altavoz de subgraves activo (subwoofer) utilizando la función Secure Link (enlace seguro). Esta función puede ayudar a evitar interferencia si utiliza diversos productos inalámbricos o si sus vecinos utilizan productos inalámbricos.

- 1** Presione **MENU**.
- 2** Presione **▲/▼** para seleccionar "WS >", luego presione **ENTER**.
- 3** Cuando "LINK" aparece en la pantalla del panel superior, presione **ENTER**.
- 4** Presione **▲/▼** para seleccionar "ON", luego presione **ENTER**.
- 5** Cuando "START" aparece en la pantalla del panel superior, presione **ENTER**.
Aparece "*****", y el panel de altavoces busca un dispositivo que se puede utilizar con Link o enlace. Continúe con el siguiente paso dentro de 2 minutos.
- 6** Presione **LINK** en el altavoz de subgraves activo (subwoofer).
El indicador de alimentación del altavoz de subgraves activo (subwoofer) parpadea en naranja.

7 Cuando "DONE" aparece en la pantalla del panel superior, presione ENTER.

El altavoz de subgraves activo (subwoofer) está vinculado al panel de altavoces y el indicador de alimentación del altavoz de subgraves activo (subwoofer) pasará a ser naranja.

Si aparece "FAIL", compruebe si el altavoz de subgraves activo (subwoofer) está encendido y presione BACK para llevar a cabo el proceso de nuevo desde el paso 3.

8 Presione MENU.

El menú se apaga.

Cómo ajustar el volumen del altavoz de subgraves activo (subwoofer)

El altavoz de subgraves activo (subwoofer) está diseñado para la reproducción del sonido de graves o de baja frecuencia.

Presione SW \blacktriangleleft +/- para ajustar el volumen del altavoz de subgraves activo (subwoofer).

Nota

Cuando la fuente de entrada no contiene mucho sonido de graves, como es el caso de los programas de televisión, puede que el sonido del altavoz de subgraves activo (subwoofer) sea difícil de escuchar.

Información adicional

Precauciones

Sobre seguridad

- En caso de que algún objeto sólido o líquido caiga dentro del sistema, desenchúfelo y haga que sea revisado por personal certificado antes de volverlo a poner en funcionamiento.
- No toque el cable de alimentación de CA con las manos húmedas. Si lo hace puede ocasionar una descarga eléctrica.
- No se suba al panel de altavoces ni al altavoz de subgraves activo (subwoofer), ya que podría caerse y sufrir lesiones, o podría dañar el sistema.

En fuentes eléctricas

- Antes de operar el sistema, compruebe que el voltaje de operación es idéntico al voltaje de la red eléctrica local. La tensión de funcionamiento aparece indicada en la placa de identificación situada en la parte inferior del panel de altavoces.
- Si no pretende utilizar el sistema durante mucho tiempo, asegúrese de desconectar el sistema del tomacorriente de pared. Para desconectar el cable de alimentación de CA, agarre el enchufe; nunca jale del cable.
- Una clavija del enchufe es más ancha que la otra por motivos de seguridad y encajará en el tomacorriente de pared de una sola manera. Si no puede insertar el enchufe completamente en la toma, póngase en contacto con su distribuidor.
- El cable de alimentación de CA debe ser sustituido solamente por un técnico cualificado.

Acerca de la acumulación de calor

Aunque el sistema se calienta durante la operación, esto no es una falla.

Si utiliza continuamente este sistema a un volumen alto, la temperatura del sistema en la parte posterior e inferior se eleva considerablemente. Para evitar quemarse, no toque el sistema.

Sobre el sitio

- Coloque el sistema en un lugar con ventilación adecuada para evitar la acumulación de calor y prolongar la vida útil del sistema.
- No coloque el sistema cerca de fuentes de calor o en un lugar expuesto a la luz solar directa, polvo excesivo o golpes mecánicos.
- No coloque nada en la parte trasera del panel de altavoces y del altavoz de subgraves activo (subwoofer) que pueda bloquear los orificios de ventilación y provocar un mal funcionamiento.
- Si el sistema se utiliza en combinación con un TV, VCR, o pletina, pueden generarse ruidos y la calidad de la imagen podría reducirse. En tal caso, aleje el sistema del TV, el VCR o la pletina.
- Tenga cuidado al colocar el sistema sobre una superficie que cuente con un tratamiento especial (con cera, aceite, pulimento, etc.), puesto que la superficie podría sufrir decoloración o manchas.
- Evite cualquier posible accidente con las esquinas del panel de altavoces y del altavoz de subgraves activo (subwoofer).
- Mantenga una separación de 3 cm ($1\frac{3}{16}$ pulg) o más espacio debajo del panel de altavoces cuando lo cuelgue en una pared.

Sobre la operación

Antes de conectar otros equipos, asegúrese de apagar y desenchufar el sistema.

Si detecta irregularidades en el color de una pantalla de televisión cercana

Pueden aparecer irregularidades en el color en determinados tipos de televisión.

- Si se detectan irregularidades en el color...

Apague el televisor y vuelva a encenderlo de nuevo después de 15 a 30 minutos.

- Si la irregularidad se detecta de nuevo...
Aleje el sistema del televisor.

Sobre la limpieza

Limpie el sistema con un paño suave y seco. No utilice ningún tipo de esponja abrasiva, polvo para tallar ni solvente como alcohol o bencina.

Si tiene alguna pregunta o problema relacionado con su sistema, consulte al servicio técnico autorizado de Sony más cercano.

Localización y corrección de fallas

Si experimenta cualquiera de las siguientes dificultades al utilizar el sistema, utilice esta guía de localización y corrección de fallas para ayudar a remediar el problema antes de solicitar reparaciones. Si el problema persiste alguno de los problemas, consulte a su distribuidor Sony más cercano.

Generalidades

El sistema no enciende.

- Compruebe que el cable de alimentación de CA esté conectado firmemente.

El sistema no funciona normalmente.

- Desconecte el cable de alimentación de CA del tomacorriente de pared, luego vuelva a reconectar después de varios minutos.

El sistema se apaga automáticamente.

- La función de espera automática está funcionando. Ajuste "ASTBY" en "SYS >" en "OFF" (página 19).

El sistema no se enciende incluso cuando el televisor está encendido.

- Ajuste "HDMI>" – "CTRL" en "ON" (página 18). El televisor debe ser compatible con la función Control para HDMI (página 20). Para más detalles, consulte el Manual de Instrucciones de su TV.
- Compruebe los ajustes de los altavoces del televisor. La alimentación del sistema se sincroniza con los ajustes de los altavoces del televisor. Para más detalles, consulte el Manual de Instrucciones de su TV.
- Si el sonido se emitió desde los altavoces del televisor la vez anterior, el sistema no se activará ni con el televisor encendido.

El sistema se apaga cuando el televisor se apaga.

- Compruebe el ajuste de "HDMI>" – "TVSTB" (página 18). Cuando "TVSTB" está ajustado en "ON", el sistema se apaga automáticamente cuando se apaga el televisor independientemente de la entrada.

El sistema no se apaga incluso cuando el televisor está apagado.

- Compruebe el ajuste de "HDMI>" – "TVSTB" (página 18). Para apagar el sistema de forma automática independientemente de la entrada existente cuando se apaga el televisor, ajuste "TVSTB" en "ON". El televisor debe ser compatible con la función Control para HDMI (página 20). Para más detalles, consulte el Manual de Instrucciones de su TV.

Sonido

No se escucha ningún sonido del TV desde el sistema.




- Compruebe el tipo y la conexión del cable HDMI, cable óptico digital o cable de audio analógico conectado en el sistema y en el televisor (consulte la Guía de inicio suministrada).
- Si su televisor es compatible con Canal de Retorno de Audio, asegúrese de que el sistema esté conectado en una toma de entrada HDMI del televisor compatible con ARC (consulte la Guía de inicio suministrada). Si sigue sin emitir sonido o se interrumpe, conecte el cable óptico digital que se incluye y ajuste "AUD >" – "TV AU" en "OPT" (página 17).
- Si el televisor no es compatible con Canal de Retorno de Audio, el sonido del televisor no se emitirá desde el sistema incluso si el sistema está conectado a la toma de entrada HDMI del televisor. Para que el sistema emita el sonido del televisor, conecte el cable óptico digital que se incluye (consulte la Guía de inicio suministrada).

- Si el sistema no produce sonido incluso si el sistema y el televisor están conectados mediante un cable óptico digital o si el televisor no dispone de un conector de toma de sonido digital óptico, conecte un cable de audio analógico (no suministrado) y cambie la entrada del sistema a "ANALOG" (página 11).
- Cambie la entrada del sistema a "TV" (página 11).
- Aumente el volumen en el sistema o cancele el enmudecimiento.
- En función del orden en el que se conecta el televisor y el sistema, el sistema podría estar enmudecido y entonces "MUTING" aparece en la pantalla del panel superior del sistema. Si esto sucede, apague el televisor y luego el sistema.
- Ajuste la configuración de los altavoces del televisor (BRAVIA) en Sistema de audio. Consulte el Manual de Instrucciones de funcionamiento de su televisor para hallar información sobre cómo configurar el televisor.

El sonido se escucha tanto desde el sistema como desde el TV.

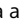
- Cómo enmudecer el sonido del sistema o del televisor.

El dispositivo conectado en el panel de altavoces no emite ningún sonido o sólo se escucha un sonido muy bajo desde el panel de altavoces.

- Presione  + y compruebe el nivel de volumen (página 10).
- Presione  o  + para cancelar la función de silenciado (página 10).

- Asegúrese de que se ha seleccionado la fuente de entrada correcta. Debería probar otras fuentes de entrada presionando repetidamente INPUT (página 11).
- Compruebe que todos los cables del sistema y del dispositivo conectados están correctamente insertados.

El altavoz de subgraves activo (subwoofer) no produce ningún sonido o un sonido muy bajo.


- Presione SW  + para aumentar el volumen del altavoz de subgraves activo (subwoofer) (página 10).
- Asegúrese de que el indicador de alimentación del altavoz de subgraves activo (subwoofer) está en verde. Si no es así, consulte "No se escucha ningún sonido del altavoz de subgraves activo (subwoofer)." en "Sonido inalámbrico del altavoz de subgraves activo (subwoofer)" (página 30).
- El altavoz de subgraves activo (subwoofer) sirve para reproducir los sonidos graves. En el caso de utilizar fuentes de entrada que contengan muy pocos graves (por ejemplo, una emisión de TV), puede que el sonido del altavoz de subgraves activo (subwoofer) sea difícil de escuchar.
- Cuando reproduzca contenido compatible con la tecnología de protección de derechos de autor (HDCP), no se escucha desde el altavoz de subgraves activo (subwoofer).

No se puede obtener el efecto envolvente.

- Dependiendo de la señal de entrada y del ajuste del campo de sonido, puede que el procesamiento del sonido envolvente no funcione con eficacia. El efecto de sonido envolvente puede que sea difícil de detectar, todo dependerá del programa o disco.
- Para reproducir el audio multicanal, compruebe el ajuste de salida de audio digital en el dispositivo conectado al sistema. Para obtener más información, consulte el Manual de Instrucciones que se incluye con el dispositivo conectado.

Dispositivo USB

El dispositivo USB no es reconocido.

- Intente lo siguiente:
 - ① Apague el sistema.
 - ② Extraiga y vuelva a conectar el dispositivo USB.
 - ③ Encienda el sistema.
- Asegúrese de que el dispositivo USB esté conectado firmemente al puerto  (USB).
- Verifique si el dispositivo USB o un cable está dañado.
- Verifique si el dispositivo USB está encendido.
- Si el dispositivo USB se conecta a través de un concentrador USB, desconéctelo y vuelva a conectarlo directamente en el panel de altavoces.

Dispositivo BLUETOOTH

No se puede completar la conexión BLUETOOTH.

- Asegúrese de que el indicador LED azul está encendido (página 8).

- Asegúrese de que el dispositivo BLUETOOTH que se va a conectar está encendido y que la función BLUETOOTH está habilitada.
- Acerque el dispositivo BLUETOOTH al panel de altavoces.
- Empareje nuevamente este sistema con el dispositivo BLUETOOTH. Puede que primero necesite cancelar el emparejamiento con este sistema utilizando su dispositivo BLUETOOTH.

No se puede hacer el emparejamiento.

- Acerque el dispositivo BLUETOOTH al panel de altavoces.
- Asegúrese de que este sistema no está recibiendo la interferencia de un equipo inalámbrico LAN, otros dispositivos inalámbricos 2,4 GHz o un horno microondas. Si está cerca de un dispositivo que genera radiación electromagnética, aleje el dispositivo de este sistema.
- El emparejamiento no es posible si otros dispositivos BLUETOOTH están presentes cerca del panel de altavoces. En este caso, apague los otros dispositivos BLUETOOTH.

El dispositivo BLUETOOTH conectado no produce ningún sonido.

- Asegúrese de que el indicador LED azul está encendido (página 8).
- Acerque el dispositivo BLUETOOTH al panel de altavoces.
- Si un dispositivo que genera radiación electromagnética, tal como un equipo de LAN inalámbrico, otros dispositivos BLUETOOTH o un horno de microondas está cerca, aleje el dispositivo de este sistema.
- Retire cualquier obstáculo entre este sistema y el dispositivo BLUETOOTH o alejar este sistema del obstáculo.
- Cambie de posición el dispositivo BLUETOOTH conectado.

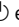
- Intente cambiar la frecuencia inalámbrica del router Wi-Fi, ordenador, etc. y ajústela en la banda de 5 GHz.
- Aumente el volumen del dispositivo BLUETOOTH conectado.


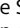
El sonido no está sincronizado con la imagen.

- Cuando usted está viendo películas, es posible que escuche el sonido con un ligero retraso de la imagen.

Sonido inalámbrico del altavoz de subgraves activo (subwoofer)

No se escucha ningún sonido del altavoz de subgraves activo (subwoofer).

- El indicador de alimentación no está iluminado.
 - Compruebe que el cable de alimentación de CA del altavoz de subgraves activo (subwoofer) esté conectado firmemente.
 - Presione  en el altavoz de subgraves activo (subwoofer) para encenderlo.
- El indicador de alimentación parpadea lentamente con un color verde o se ilumina con un color rojo.
 - Desplace el altavoz de subgraves activo (subwoofer) a una ubicación cercana al panel de altavoces de modo que el indicador de alimentación se ilumine en verde.
 - Siga los pasos en "Cómo activar la transmisión inalámbrica entre unidades específicas (Enlace Seguro)" (página 24).

- Si el indicador de alimentación parpadea con un color rojo, presione  en el altavoz de subgraves activo (subwoofer) para apagar y compruebe si la apertura de ventilación del altavoz de subgraves activo (subwoofer) está bloqueada o no.
- El altavoz de subgraves activo (subwoofer) está diseñado para la reproducción de sonidos graves. Cuando la fuente de entrada no contiene un nivel alto de sonidos graves, como es el caso de la mayoría de los programas de TV, puede que los sonidos graves no se escuchen.
- Presione SW  + para aumentar el volumen del altavoz de subgraves activo (subwoofer) (página 25).

El sonido salta o tiene ruido.

- Si esta presente un dispositivo cercano que genera ondas electromagnéticas, como una red LAN inalámbrica o un horno microondas en uso, aleje el sistema de dicho dispositivo.
- Si hay un obstáculo entre el panel de altavoces y el altavoz de subgraves activo (subwoofer), desplácelo o retírelo.
- Coloque el panel de altavoces y el altavoz de subgraves activo (subwoofer) lo más cerca posible entre sí.
- Cambie la frecuencia de la red LAN inalámbrica de cualquier router Wi-Fi o computadora al rango de 5 GHz.
- Cambie el televisor, Reproductor de Disco Blu-ray etc., de LAN inalámbrica a LAN cableada.

Control remoto

El control remoto no funciona.

- Apunte el control remoto hacia el sensor de control remoto del panel de altavoces (página 8).
- Retire cualquier obstáculo que se encuentre en la trayectoria entre el control remoto y el panel de altavoces.
- Cambie las dos pilas del control remoto con otras nuevas en caso de que estén agotadas.
- Asegúrese de que está presionando el botón correcto en el control remoto.

El control remoto del televisor no funciona.

- Instale el panel de altavoces de manera que no obstruya el sensor del control remoto del televisor.


Otros

La función Control para HDMI no funciona correctamente.

- Compruebe la conexión con el sistema (consulte la Guía de inicio suministrada).
- Habilita la función Control para HDMI en el televisor. Para más detalles, consulte el Manual de Instrucciones de su TV.
- Espere un momento y vuelva a intentarlo. Si desconecta el sistema, tardará un tiempo antes de poder realizar operaciones. Espere 15 segundos o más, y vuelva a intentarlo.
- Asegúrese de que los dispositivos conectados al sistema permiten de la función Control para HDMI.

- Habilita la función Control para HDMI de los dispositivos conectados al sistema. Para más detalles, consulte el Manual de Instrucciones de funcionamiento de su dispositivo.
- El tipo y número de dispositivos que se pueden controlar por la función de Control para HDMI está restringido por el HDMI CEC estándar tal como se describe a continuación:
 - Dispositivos de grabación (Grabadora de Disco Blu-ray, grabadora de DVD, etc.): hasta 3 dispositivos
 - Dispositivos de reproducción (Reproductor de Disco Blu-ray, Reproductor de DVD, etc.): hasta 3 dispositivos
 - Dispositivos relacionados con el sintonizador: hasta 4 dispositivos
 - Sistema de audio (receptor/auricular): hasta 1 dispositivo (utilizado por este sistema)

Si "PRTCT" aparece en la pantalla del panel superior del panel de altavoces.

- Presione  para apagar el sistema. Después de que se apague la pantalla, desconecte el cable de alimentación de CA, entonces compruebe que nada bloquee los orificios de ventilación del panel de altavoces.

La pantalla del panel superior del panel de altavoces no está encendido.

- Presione DIMMER para ajustar el brillo en "BRIGHT" o "DARK", si está ajustado en "OFF" (página 10).

Los sensores del TV no funcionan correctamente.

- El panel de altavoces puede bloquear algunos sensores (como el sensor de brillo) y el receptor del control remoto del televisor, o el “emisor de gafas 3D (transmisión por infrarrojos)” de un televisor 3D que soporte el sistema de cristal 3D de infrarrojos o la comunicación inalámbrica. Aleje el panel de altavoces del TV a una distancia que permita que dichos componentes funcionen correctamente. Para las ubicaciones de los sensores y del receptor de control remoto, consulte el Manual de Instrucciones suministrado con el TV.

Reiniciar

Si el sistema sigue sin funcionar correctamente, restablecer el sistema de la siguiente manera. Asegúrese de utilizar las teclas táctiles del panel de altavoces para realizar esta operación.

- 1** Mientras presiona **INPUT**, toque **VOL -** y **⏻** simultáneamente durante 5 segundos. “RESET” aparece en la pantalla del panel superior, y la configuración de los campos de menú y de sonido, etc. vuelven a su estado inicial.
- 2** Desconecte el cable de alimentación de CA.
- 3** Conecte el cable de alimentación de CA, a continuación, presione **⏻** para encender el sistema.
- 4** Conecte el sistema al altavoz de subgraves activo (subwoofer) (página 24).

Tipos de archivos reproducibles

Códec	Extensión
MP3 (MPEG-1 Audio Layer III)	.mp3
Codificación de audio avanzada	.m4a
WMA9 estándar	.wma
LPCM	.wav

Notas

- Es posible que algunos archivos no se reproduzcan dependiendo del tipo de formato de archivo, codificación del archivo, o condición de grabación.
- Es posible que algunos archivos editados en una computadora personal no se puedan reproducir.
- El sistema no reproduce archivos codificados tal como DRM y Lossless.
- El sistema puede reconocer los siguientes archivos o carpetas en dispositivos USB:
 - hasta 200 carpetas
 - hasta 150 archivos/carpetas en una sola capa
- Es posible que algunos dispositivos USB no funcionen con este sistema.
- El sistema puede reconocer dispositivos de almacenamiento masivo (MSC).

Formatos de audio soportados

Este sistema soporta los siguientes formatos de audio.

- Dolby Digital
- DTS
- LPCM 2ch
- Codificación de audio avanzada

Especificaciones

Panel de altavoces (SA-CT390)

Sección del amplificador

Modelos de EE.UU.:

POTENCIA DE SALIDA Y DISTORSIÓN ARMÓNICA TOTAL:
(FTC)

Delantero IZQ + Delantero DER:
Con cargas de 4 ohms, ambos canales impulsados, de 200 Hz – 20.000 Hz; potencia nominal de 35 watts RMS mínimo por canal, no más del 1% de distorsión armónica total de 250 miliwatts para la salida nominal.

POTENCIA DE SALIDA (referencia)

Delantero IZQ/Delantero DER: 100 W
(por canal a 4 ohms, 1 kHz)

Modelos canadienses:

POTENCIA DE SALIDA (nominal)

Delantero IZQ + Delantero DER:

50 W + 50 W (a 4 ohms, 1 kHz, 1% THD)

POTENCIA DE SALIDA (referencia)

Delantero IZQ/Delantero DER: 100 W
(por canal a 4 ohms, 1 kHz)

Entradas

USB

ANALOG IN

TV IN OPTICAL

Salida


HDMI OUT TV (ARC)

Sección HDMI

Conector

Tipo A (19 terminales)

Sección USB

Puerto  (USB)

Tipo A

Sección BLUETOOTH

Sistema de comunicación

Especificación BLUETOOTH versión 4.2

Salida

Especificación BLUETOOTH potencia clase 1

Rango máximo de comunicación

Campo visual de aproximadamente 25 m (82 pies)¹⁾

Banda de frecuencia

Banda de 2,4 GHz (2,4000 GHz – 2,4835 GHz)

Método de modulación

FHSS (espectro ensanchado por salto de frecuencia)

Perfiles BLUETOOTH compatibles²⁾

A2DP 1.2 (perfil de distribución de audio avanzado)

AVRCP 1.6 (perfil de control remoto de audio y vídeo)

Códecs soportados³⁾

SBC⁴⁾, AAC⁵⁾

Rango de transmisión (A2DP)

20 Hz – 20.000 Hz (Frecuencia de muestreo 32 kHz, 44,1 kHz, 48 kHz)

¹⁾ El rango real variará dependiendo de los factores como obstáculos entre los dispositivos, campos magnéticos alrededor de un horno de microondas, electricidad estática, teléfonos inalámbricos, sensibilidad de recepción, desempeño de la antena, sistema operativo, aplicación de software, etc.

²⁾ Los perfiles estándares de BLUETOOTH indican el propósito de la comunicación BLUETOOTH entre dispositivos.

³⁾ Códec: Compresión de señal de audio y formato de conversión

⁴⁾ Códec en subbandas

⁵⁾ Codificación de audio avanzada (Advanced Audio Coding)

Sección de altavoces Delantero IZQ/ Delantero DER

Sistema de altavoces

Sistema de altavoces de rango completo, Suspensión acústica

Altavoz

60 mm (2 ³/₈ pulg) de tipo cono

Generalidades

Requisitos de energía

120 V de CA, 60 Hz

Consumo de energía

Encendido: 45 W

En espera: 0,5 W o menos (modo de ahorro de energía)

(Cuando "CTRL" en "HDMI>" y "BTSTB" en "BT >" se ajusta en "OFF")

En espera: 2,8 W o menos⁶⁾

(Cuando "CTRL" en "HDMI>" o "BTSTB" en "BT >" está ajustado en "ON")

Dimensiones (ancho/alto/profundo)
(aprox.)

900 mm × 52 mm × 121 mm
(35 1/2 pulg × 2 1/8 pulg × 4 7/8 pulg)
(sin soportes de montaje de mural)
900 mm × 121 mm × 59 mm
(35 1/2 pulg × 4 7/8 pulg × 2 3/8 pulg)
(con soportes de montaje de mural)

Peso (aprox.)
2,2 kg (4 lb 14 oz)

6) El sistema entra automáticamente en modo de ahorro de energía cuando no existe conexión HDMI e historial de emparejamiento BLUETOOTH, independientemente de los ajustes realizados para "CTRL" en "HDMI>" y "BTSTB" en "BT >".

Altavoz de subgraves activo (subwoofer) (SA-WCT390)

POTENCIA DE SALIDA (referencia)
100 W (por canal a 4 ohms, 100 Hz)

Sistema de altavoces
Sistema de altavoz de subgraves activo (subwoofer), Bass reflex

Altavoz
130 mm (5 1/8 pulg) de tipo cono

Requisitos de energía
120 V de CA, 60 Hz

Consumo de energía
Encendido: 20 W
En espera: 0,5 W o menos

Dimensiones (ancho/alto/profundo)
(aprox.)

170 mm × 342 mm × 362 mm
(6 3/4 pulg × 13 1/2 pulg × 14 3/8 pulg)
(montaje vertical)
342 mm × 172 mm × 362 mm
(13 1/2 pulg × 6 7/8 pulg × 14 3/8 pulg)
(montaje horizontal)

Peso (aprox.)
6,5 kg (14 lb 6 oz)

Sección de transmisor/ receptor inalámbrico

Banda de frecuencia
2,4 GHz (2,4000 GHz – 2,4835 GHz)
Método de modulación
FHSS (espectro ensanchado por salto de frecuencia)

El diseño y las especificaciones están sujetas a cambios sin previo aviso.

Sobre la comunicación BLUETOOTH

- Los dispositivos BLUETOOTH deben utilizarse dentro de aproximadamente 10 metros (33 pies) (distancia sin obstrucciones) uno del otro. El rango de comunicación efectiva se puede reducir en las siguientes condiciones.
 - Cuando una persona, objeto metálico, pared u otra obstrucción esté entre los dispositivos con una conexión BLUETOOTH
 - Ubicaciones donde está instalada una LAN inalámbrica
 - Alrededor de hornos de microondas que estén en uso
 - Ubicaciones donde hay otras ondas electromagnéticas
- Los dispositivos BLUETOOTH y las LAN inalámbricas (IEEE 802.11b/g) utilizan la misma banda de frecuencia (2,4 GHz). Cuando utilice su dispositivo BLUETOOTH cerca de un dispositivo con capacidad de LAN inalámbrica, es posible que ocurra interferencia electromagnética. Esto podría ocasionar tasas de transferencia de datos bajas, ruido o incapacidad para conectarse. Si esto llegara a suceder, intente los siguientes remedios:

- Use este sistema al menos a 10 metros (33 pies) de distancia del dispositivo de LAN inalámbrica.
- Desactive la alimentación del dispositivo de LAN inalámbrica cuando utilice su dispositivo BLUETOOTH a menos de 10 metros (33 pies).
- Instale este sistema y el dispositivo BLUETOOTH lo más cerca entre sí como sea posible.
- La transmisión de las ondas de radio de este sistema puede interferir con la operación de algunos dispositivos médicos. Puesto que esta interferencia puede ocasionar fallas, siempre apague la energía de este sistema y del dispositivo BLUETOOTH en las siguientes ubicaciones:
 - En hospitales, trenes, aeronaves, gasolineras y en cualquier lugar donde haya gases inflamables
 - Cerca de puertas automáticas o alarmas de incendio
- Este sistema soporta funciones de seguridad que cumplen con la especificación BLUETOOTH para garantizar una conexión segura durante la comunicación utilizando tecnología BLUETOOTH. Sin embargo, esta seguridad puede ser insuficiente dependiendo del contenido de configuración y de otros factores, por lo que siempre tenga cuidado cuando realice comunicaciones utilizando tecnología BLUETOOTH.
- Sony no puede ser responsabilizado de ninguna manera por daños u otras pérdidas que resulten por las fugas de información durante la comunicación utilizando tecnología BLUETOOTH.
- La comunicación BLUETOOTH no necesariamente se garantiza con todos los dispositivos BLUETOOTH que tengan el mismo perfil que este sistema.
- Los dispositivos BLUETOOTH conectados con este sistema deben cumplir con la especificación BLUETOOTH recomendada por Bluetooth SIG, Inc., y deben estar certificados para cumplimiento. Sin embargo, incluso cuando un dispositivo cumple con la especificación BLUETOOTH, puede haber casos donde las características o especificaciones del dispositivo BLUETOOTH hagan imposible la conexión o conlleven a diferentes métodos de control, visualización o funcionamiento.
- Es posible que se produzca ruido o que el audio se corte dependiendo del dispositivo BLUETOOTH conectado con este sistema, el entorno de las comunicaciones o las condiciones circundantes.

HDMI



<http://www.sony.net/>



* 4 5 8 6 1 0 9 1 2 * (3)