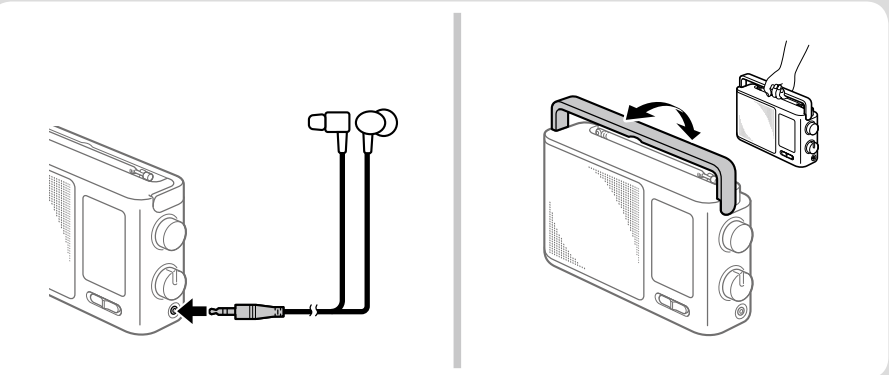
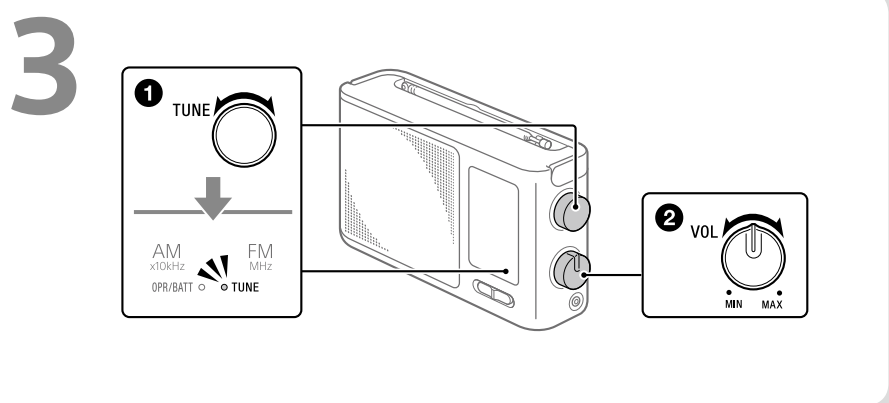
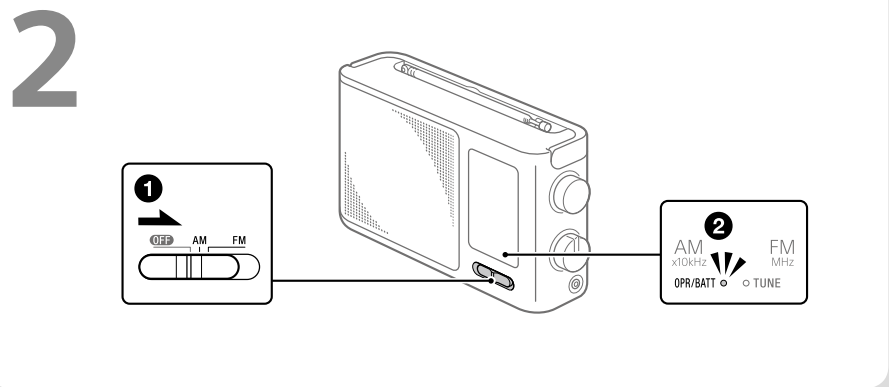
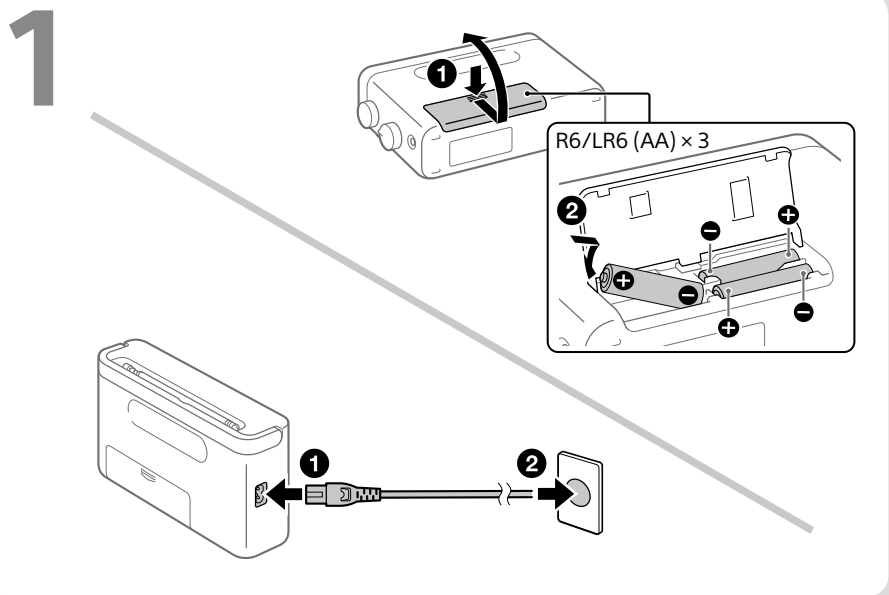


FM/AM Radio

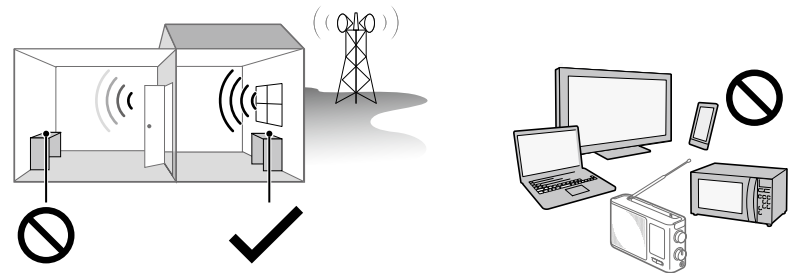
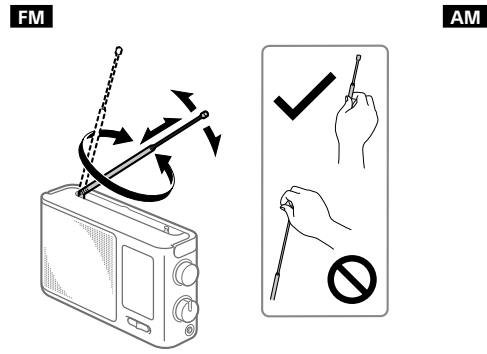
Operating Instructions



ICF-506



For Better Reception



English

WARNING

Do not install the appliance in a confined space, such as a bookcase or built-in cabinet.

To reduce the risk of fire or electric shock, do not expose this apparatus to dripping or splashing, and do not place objects filled with liquids, such as vases, on the apparatus.

To reduce the risk of fire, do not cover the ventilation opening of the appliance with newspapers, tablecloths, curtains, etc. Do not expose the appliance to naked flame sources (for example, lighted candles).

As the main plug is used to disconnect the unit from the mains, connect the unit to an easily accessible AC outlet. Should you notice an abnormality in the unit, disconnect the main plug from the AC outlet immediately.

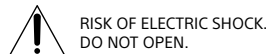
The unit is not disconnected from the AC power source (mains) as long as it is connected to the wall outlet, even if the unit itself has been turned off.

Batteries or batteries installed apparatus shall not be exposed to excessive heat such as sunshine, fire or the like.

The validity of the CE marking is restricted to only those countries where it is legally enforced, mainly in the countries EEA (European Economic Area) and Switzerland.

CAUTION

Risk of explosion if the battery is replaced by an incorrect type.

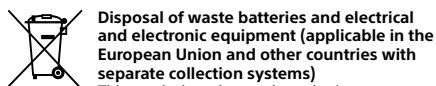


Notice for customers: the following information is only applicable to equipment sold in countries applying EU directives

The latest EU Importer Information

This product has been manufactured by or on behalf of Sony Corporation.

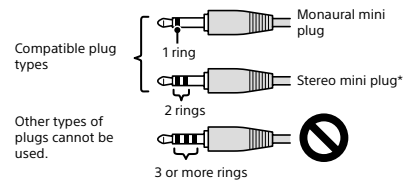
EU Importer: Sony Europe B.V.
Inquiries to the EU Importer or related to product compliance in Europe should be sent to the manufacturer's authorized representative, Sony Belgium, *bijkantoor van Sony Europe B.V., Da Vincilaan 7-D1, 1930 Zaventem, Belgium.*



This symbol on the product, the battery or on the packaging indicates that the product and the battery shall not be treated as household waste. On certain batteries this symbol might be used in combination with a chemical symbol. The chemical symbol for lead (Pb) is added if the battery contains more than 0.004% lead. By ensuring that these products and batteries are disposed of correctly, you will help to prevent potentially negative consequences for the environment and human health which could be caused by inappropriate waste handling. The recycling of the materials will help to conserve natural resources. In case of products that for safety, performance or data integrity reasons require a permanent connection with an incorporated battery, this battery should be replaced by qualified service staff only. To ensure that the battery and the electrical and electronic equipment will be treated properly, hand over these products at end-of-life to the appropriate collection point for the recycling of electrical and electronic equipment. For all other batteries, please view the section on how to remove the battery from the product safely. Hand the battery over to the appropriate collection point for the recycling of waste batteries. For more detailed information about recycling of this product or battery, please contact your local Civic Office, your household waste disposal service or the shop where you purchased the product or battery.

Precautions

- Operate the unit on the power sources specified in "Specifications."
- For AC operation, use the supplied AC power cord; do not use any other cord.
- Unplug the unit from the wall outlet if it is not to be used for an extended period of time.
- To use the unit on battery power, disconnect the AC power cord from the wall outlet and the AC IN jack. The unit cannot be powered by batteries if the AC power cord is connected.
- When the AC power cord is connected, even if batteries are inserted, the power source will automatically switch from batteries to AC power.
- Avoid exposure to temperature extremes, direct sunlight, moisture, sand, dust or mechanical shock. Never leave in a car parked under the sun.
- Should anything fall into the unit, remove the batteries, and have the unit checked by qualified personnel before operating it any further.
- Since a strong magnet is used for the speaker, keep personal credit cards using magnetic coding or spring-wound watches away from the unit to prevent possible damage from the magnet.
- When the casing becomes soiled, clean it with a soft dry cloth moistened with mild detergent solution.
- Never use abrasive cleansers or chemical solvents, as they may deform the casing.
- Make sure not to splash water on the unit. This unit is not waterproof.
- Always keep this product out of the reach of small children. The headphone cord may become twisted around a child's neck and cause strangulation.
- Listening with this unit at high volume may affect your hearing. For traffic safety, do not use this unit while driving or cycling.
- Under certain circumstances, especially when the air is very dry, it is not uncommon to experience a discharge of static electricity, or shock, when your body comes in contact with another object, in this case the ear buds touching your ear(s). The energy from this natural discharge is extremely small and is not emitted by your product but rather a natural environmental occurrence.
- Depending on the strength of radio signals, the TUNE (tuning) indicator may not light up even if a broadcast is being received. Furthermore, the indicator may light up incorrectly due to extraneous noise even when a broadcast is not being received. Use the TUNE indicator as a reference.
- When connecting headphones (not supplied) to the unit, use headphones with a stereo (3-pole) or monaural (2-pole) mini plug. Sound may not be heard when using other types of plugs.



* When connecting stereo headphones, you will hear monaural sound in both ears.

- The nameplate and important information concerning safety are located on the bottom exterior.

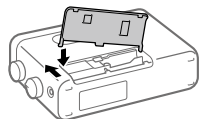
When to replace the batteries

Replace all three batteries with new ones when the OPR/BATT (operation/battery) indicator goes out. As the batteries become drained, the OPR/BATT indicator may gradually grow dimmer before it goes out or static from the radio may grow louder. Although you may still be able to use the radio for a while in this state, please replace the batteries as soon as possible.

Notes on batteries

- Do not mix an old battery with a new one or mix different type of batteries.
- When you are not going to use the unit for a long time, remove the batteries to avoid damage from battery leakage and corrosion.
- Check if the batteries are inserted in the correct orientation (⊕ and ⊖) when the radio does not turn on after battery replacement.
- Batteries have a recommended use-by date for proper use. When using expired batteries, battery life will be extremely short. Check the use-by date on the batteries and if they are expired, replace them with new ones.

If the battery compartment cover comes off



Insert the right hook tab of the lid into the right hole, then put the left hook tab on the edge of the opening and slide it slowly until it fits into the left hole.

If you have any questions or problems concerning your unit, please consult your nearest Sony dealer.

Specifications

Frequency range:

FM: 87.5 MHz – 108 MHz/AM: 531 kHz – 1,602 kHz

Intermediate frequency:

FM: 128 kHz/AM: 45 kHz

Speaker:

Approx. 10 cm dia., 8 Ω

Output:

⊘ (headphones) jack (ø3.5 mm mini jack)

Audio power output:

640 mW

Power requirements:

Models for Australia and New Zealand: 230 V AC, 50 Hz (AC power supply)/4.5 V DC, three R6/LR6 (size AA) batteries

Other models: 230 V – 240 V AC, 50 Hz (AC power supply)/4.5 V DC, three R6/LR6 (size AA) batteries

Other models: 230 V – 240 V AC, 50 Hz (AC power supply)/4.5 V DC, three R6/LR6 (size AA) batteries

Battery life*:

Approx. 35 hours (FM reception)/Approx. 35 hours (AM reception)

* When listening through the speaker on alkaline batteries manufactured by Sony (LR6SG). The actual battery life varies significantly depending on battery type (such as rechargeable batteries), usage and circumstances.

Dimensions (W/H/D):

Approx. 223.5 mm × 126.5 mm × 62 mm (incl. projecting parts)

Mass:

Approx. 860 g (incl. batteries)

Supplied accessories*:

AC power cord (1), Warranty card (1)

* Headphones are not included.

Design and specifications are subject to change without notice.