



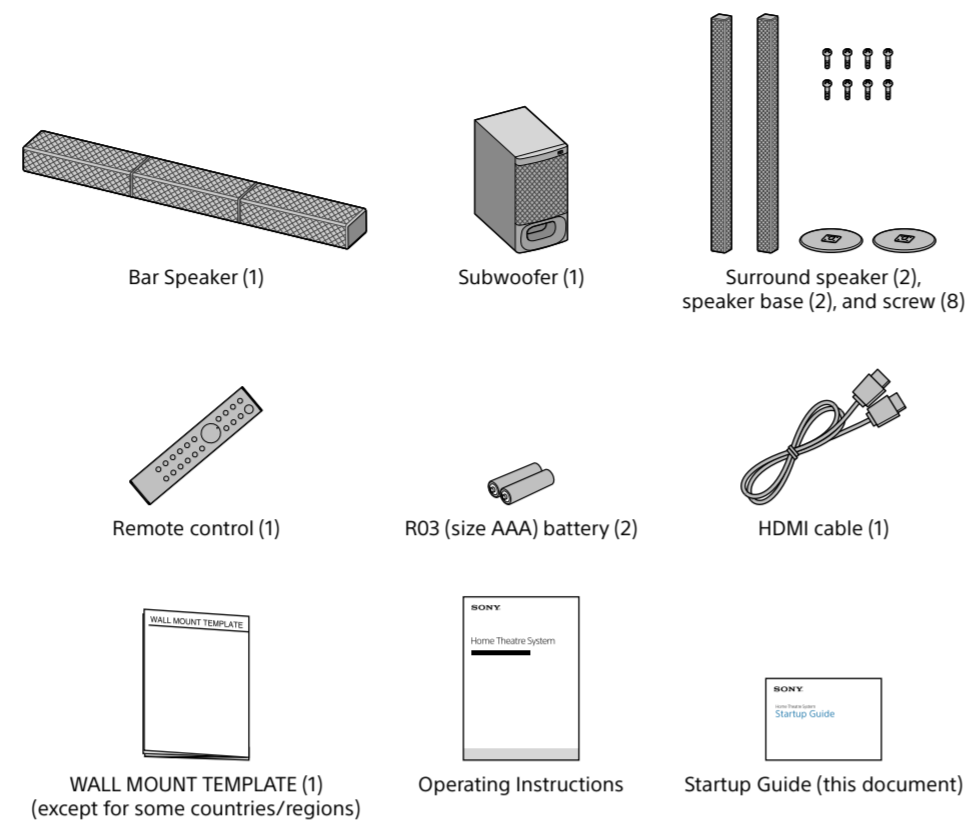
Home Theatre System
Startup Guide

HT-S700RF

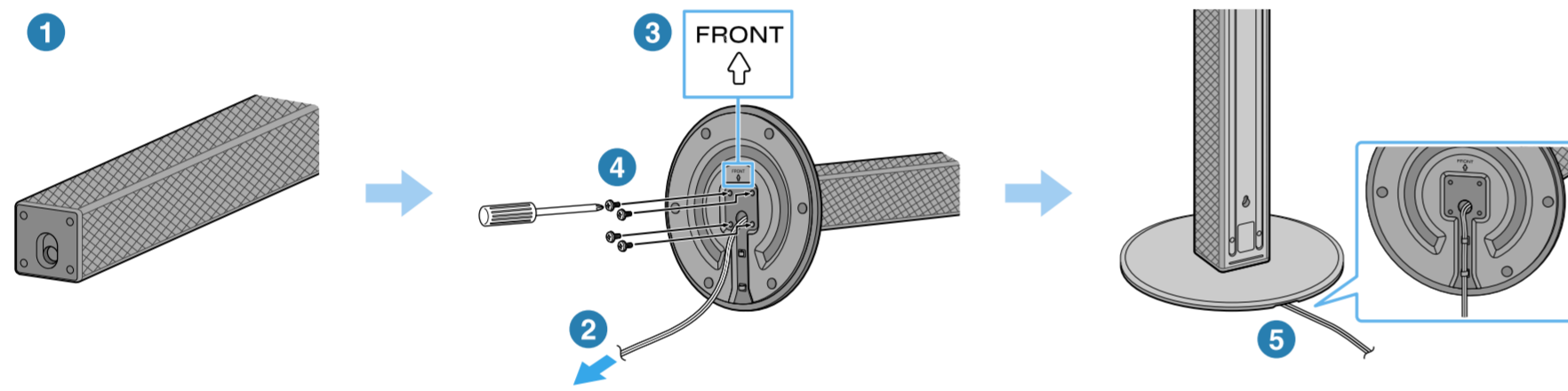
To set up the remote control



What's in the box



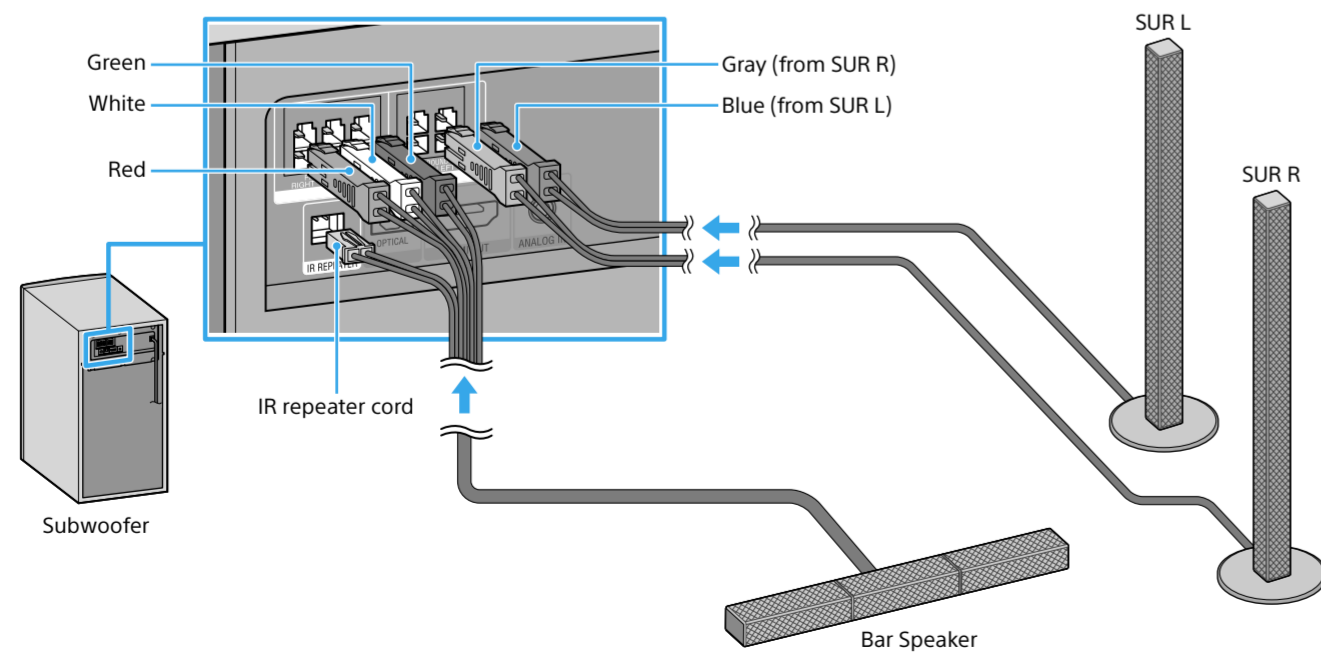
1 Installing the surround speakers (SUR L/SUR R) on the floor



- Place the surround speaker on the floor with the front side facing up.
- Thread the speaker cord from the surround speaker through the hole in the speaker base.
- Position the speaker base so that "FRONT" points upward.
- Secure the speaker base and the surround speaker with four screws.
- Slide the speaker cord into the slot at the speaker base.

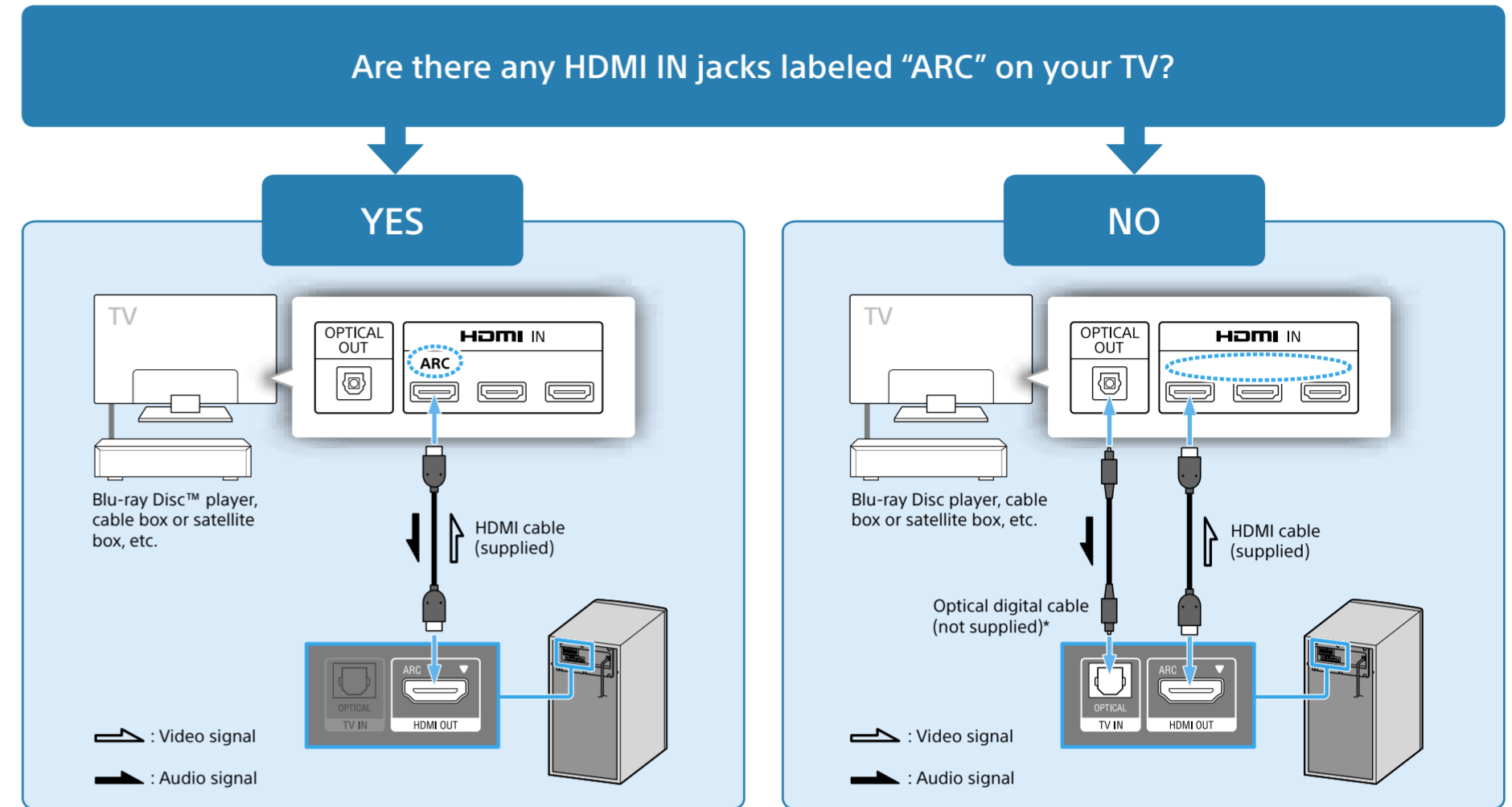
Note
• Spread a cloth on the floor to avoid damaging the floor when you assemble the surround speakers.

2 Connecting the speakers



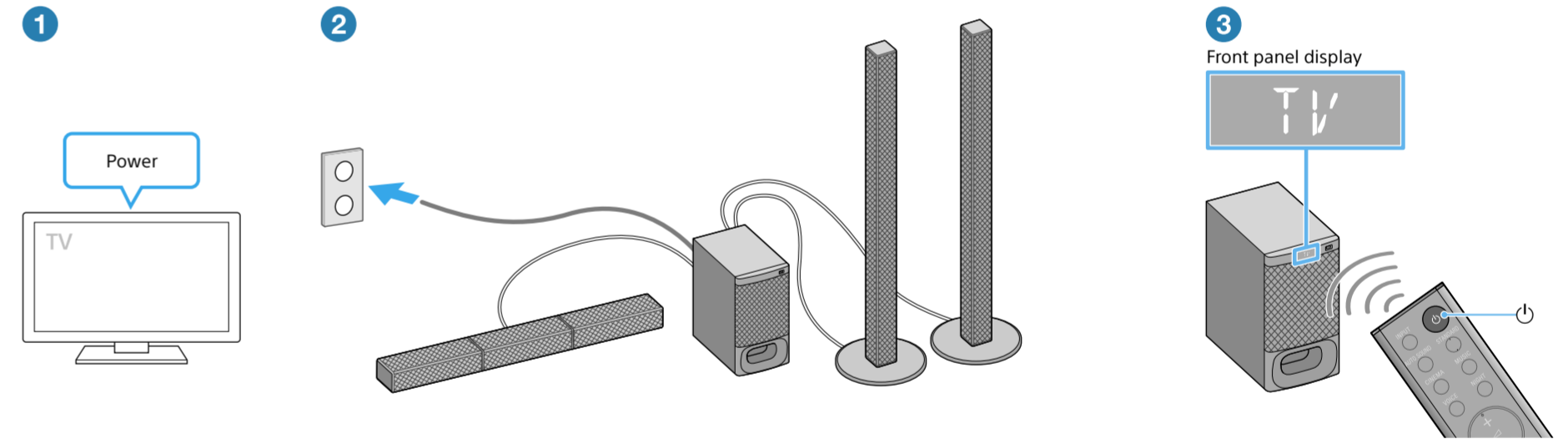
Note
• Place the subwoofer 5 cm or more away from a TV rack, walls, etc.
• Connect the speaker cords to the matching color of the SPEAKERS jacks on the rear panel of the subwoofer.

3 Connecting with a TV



* If your TV does not support the ARC (Audio Return Channel) function, connect an optical digital cable (not supplied) to listen to the TV sound.

4 Turning on the system



- Turn on the TV.
- Connect the AC power cord (mains lead) of the subwoofer to the wall outlet (mains).
- Press Power (power) on the remote control of the system.
The front panel display lights up.

5 Listening to the sound



- Press INPUT repeatedly until the input source you want appears in the front panel display.
To listen to TV audio, make sure that "TV" is displayed in the front panel display, then select the program you want using the TV remote control. When "TV" is not displayed in the front panel display, press INPUT on the remote control of the system to select the TV input.
- Press +/- to adjust the system volume and press SW +/- to adjust the subwoofer volume.

Note
• Depending on the order in which you turn on the TV and the system, the system may enter muting mode. In this case, turn on the TV first, then the system.