

Wireless Noise Canceling Stereo Headset

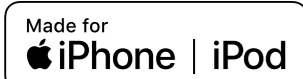
Casque stéréo sans fil réducteur de bruits

Reference Guide Manuel de référence Guía de referencia



http://rd1.sony.net/help/mdr/wf1000xm3/h_zz/

WF-1000XM3



©2019 Sony Corporation
Printed in Malaysia
Imprimé en Malaisie
http://www.sony.net/



Headset / Casque d'écoute: WF-1000XM3L, WF-1000XM3R
FCC ID: AK8WF1000XM3
IC: 409B-WF1000XM3

English

Wireless Noise Canceling Stereo Headset

RECYCLING RECHARGEABLE BATTERIES

Rechargeable batteries are recyclable. You can help preserve our environment by returning your used rechargeable batteries to the collection and recycling location nearest you. For more information regarding recycling of rechargeable batteries, visit <http://www.sony.com/electronics/eco/environmental-management>
Caution: Do not handle damaged or leaking rechargeable batteries.

FOR UNITED STATES CUSTOMERS. NOT APPLICABLE IN CANADA, INCLUDING IN THE PROVINCE OF QUÉBEC.

POUR LES CONSOMMATEURS AUX ÉTATS-UNIS. NON APPLICABLE AU CANADA, Y COMPRIS LA PROVINCE DE QUÉBEC.

You are cautioned that any changes or modifications not expressly approved in this manual could void your authority to operate this equipment.

If you have any questions about this product:
Visit: www.sony.com/support
Contact: Sony Customer Information Service Center at 1-800-222-7669
Writer: Sony Customer Information Service Center 12451 Gateway Blvd., Fort Myers, FL 33913
Supplier's Declaration of Conformity
Trade Name : SONY
Model : WF-1000XM3
Responsible Party : Sony Electronics Inc.
Address : 16535 Via Esprillo, San Diego, CA 92127, U.S.A.
Telephone Number : 858-942-2230

For the customer in Canada

This device contains licence-exempt transmitter(s)/receiver(s) that comply with Innovation, Science and Economic Development Canada's licence-exempt RSSI(s). Operation is subject to the following two conditions:
(1) This device may not cause interference; and
(2) This device must accept any interference, including interference that may cause undesired operation of the device.

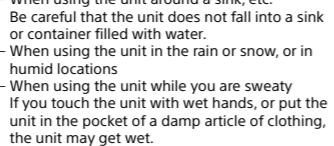
The available scientific evidence does not show that any health problems are associated with using low power wireless devices. There is no proof, however, that these low power wireless devices are absolutely safe. Low power Wireless devices emit low levels of radio frequency energy (RF) in the microwave range while being used. Whereas high levels of RF can produce health effects (by heating tissue), exposure of low-level RF that does not produce heating effects causes no known adverse health effects. Many studies of low-level RF exposures have not found any biological effects. Some studies have suggested that some biological effects might occur, but such findings have not been confirmed by additional research. Wireless Noise Canceling Stereo Headset (WF-1000XM3) has been tested and found to comply with ISED radiation exposure limits set forth for an uncontrolled environment and meets RSS-102 of the ISED radio frequency (RF) Exposure rules.

High volume may affect your hearing.

Do not use the unit while walking, driving or cycling. Doing so may cause traffic accidents.

Do not use at a dangerous place unless the surrounding sound can be heard.

The unit is not waterproof. If water or foreign objects enter the unit, it may result in fire or electric shock. If water or a foreign object enters the unit, stop use immediately and consult your nearest Sony dealer. In particular, be careful in the following cases:
– When using the unit around a sink, etc.
– Be careful that the unit does not fall into a sink or container filled with water.
– When using the unit in the rain or snow, or in humid locations
– When using the unit while you are sweaty
– If you touch the unit with wet hands, or put the unit in the pocket of a damp article of clothing, the unit may get wet.



For details on the effect of contact to the human body from the mobile phone or other wireless devices connected to the unit, refer to the instruction manual of the wireless device.

Install the earbuds firmly. Otherwise, they may detach and be left in your ears, resulting in injury or illness.

There is a danger that this unit or its small parts may be swallowed. After use, store the unit in the charging case and store in a location out of the reach of small children.

Note on static electricity
Static electricity accumulated in the body may cause mild tingling in your ears. To reduce the effect, wear clothes made from natural materials, which suppress the generation of static electricity.

IMPORTANT: THE FACTORY DEFAULT SETTING OF THE VOICE GUIDANCE FOR THIS UNIT IS ENGLISH.

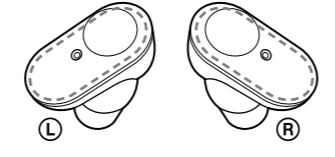
The voice guidance can be heard from the unit when:

- When powering on: "Power on"
- When powering off: "Power off"
- When the remaining battery level is low and recharge is recommended: "Low battery, please recharge headset"
- When automatically turning off due to low battery: "Please recharge headset. Power off"
- When checking the remaining battery level: "Battery fully charged" / "Battery about 70 %" / "Battery about 50 %"
- When entering pairing mode: "Bluetooth pairing"
- When establishing a Bluetooth connection: "Bluetooth connected"
- When disconnecting a Bluetooth connection: "Bluetooth disconnected"
- When turning on the noise canceling function: "Noise canceling"
- When turning on the Ambient Sound Mode: "Ambient sound"
- When turning off the noise canceling function and the Ambient Sound Mode: "Ambient sound control off"
- The Google Assistant button was pressed, but the Google Assistant was not available on the smartphone connected to the headset: "The Google Assistant is not connected"

Precautions

On BLUETOOTH® communications

- Bluetooth wireless technology operates within a range of about 10 m (30 feet). The maximum communication distance may vary depending on the presence of obstacles (people, metal objects, walls, etc.) or the electromagnetic environment.
- Bluetooth communications may not be possible, or noise or audio dropout may occur under the following conditions:
 - When there is a person between the unit and the Bluetooth device. This situation may be improved by positioning the Bluetooth device so that it faces the antenna of the unit.
 - When there is an obstacle, such as a metal object or a wall, between the unit and the Bluetooth device.
 - When a Wi-Fi device or microwave oven is in use, or microwaves are emitted near the unit.
 - Compared to use indoors, use outdoors is subjected little to signal reflection from walls, floors, and ceilings, which results in audio dropout occurring more frequently than use indoors.
 - The antenna is built into the unit as indicated by the dotted line in the illustration below. The sensitivity of the Bluetooth communications can be improved by removing any obstacles between the connected Bluetooth device and the antenna of this unit.



- Bluetooth and Wi-Fi (IEEE802.11b/g/n) devices use the same frequency (2.4 GHz). When using the unit near a Wi-Fi device, electromagnetic interference may occur, resulting in noise, audio dropout, or the inability to connect. If this happens, try performing the following remedies:
 - Establish a connection between the unit and the Bluetooth device when they are at least 10 m (30 feet) away from the Wi-Fi device.
 - Turn off the Wi-Fi device when using the unit within 10 m (30 feet) of the Wi-Fi device.
 - Position the unit and the Bluetooth device as near as possible to each other.
- Microwaves emitting from a Bluetooth device may affect the operation of electronic medical devices. Turn off this unit and other Bluetooth devices in the following locations, as it may cause an accident:
 - in hospitals, near priority seating in trains, locations where inflammable gas is present, near automatic doors, or near fire alarms.
- The audio playback on this unit may be delayed from that on the transmitting device, due to the characteristics of Bluetooth wireless technology. As a result, the sound may not be in sync with the image when viewing movies or playing games.
- This product emits radio waves when used in wireless mode. When used in wireless mode on an airplane, follow flight crew directions regarding permissible use of products in wireless mode.
- The unit supports security functions that comply with the Bluetooth standard as a means of ensuring security during communication using Bluetooth wireless technology. However, depending on the configured settings and other factors, this security may not be sufficient. Be careful when communicating using Bluetooth wireless technology.
- Sony shall assume no responsibility for any damages or loss resulting from information leaks that occur when using Bluetooth communications.
- Connection with all Bluetooth devices cannot be guaranteed.
 - Bluetooth devices connected with the unit must comply with the Bluetooth standard prescribed by Bluetooth SIG, Inc., and must be certified as compliant.
 - Even when a connected device complies with the Bluetooth standard, there may be cases where the characteristics or specifications of the Bluetooth device make it unable to connect, or result in different control methods, display, or operation.
 - When using the unit to perform hands-free talking on the phone, noise may occur depending on the connected device or the communication environment.
- Depending on the device to be connected, it may require some time to start communications.

- If the unit is not used for a long time, the rechargeable battery may become depleted quickly. The battery will be able to hold a proper charge after it is discharged and recharged several times. When storing the unit for a long time, charge the battery once every six months to prevent over-discharge.
- If the rechargeable battery becomes depleted extremely quickly, it should be replaced with a new one. Please contact your nearest Sony dealer for a battery replacement.

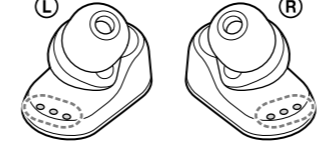
- When listening to music from a smartphone, the situation may be improved by closing unnecessary apps or restarting the smartphone.

On the use of calling apps for smartphones and computers

- This unit supports normal incoming calls only. Calling apps for smartphones and computers are not supported.

On charging the unit

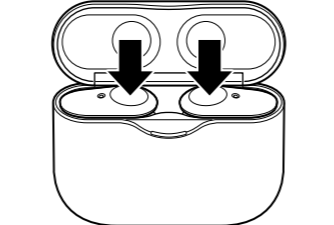
- This unit can be charged using USB only. A computer with a USB port or a USB AC adaptor is required for charging.
- Be sure to use the supplied USB Type-C cable.
- When charging, the unit cannot be turned on and the Bluetooth and noise canceling functions cannot be used.
- Immediately wipe off any perspiration or water on the charging port after use. If perspiration or water is left on the charging port, it may impair the ability to charge the unit.



- If the unit is not used for a long time, the rechargeable battery may become depleted quickly. The battery will be able to hold a proper charge after it is discharged and recharged several times. When storing the unit for a long time, charge the battery once every six months to prevent over-discharge.
- If the rechargeable battery becomes depleted extremely quickly, it should be replaced with a new one. Please contact your nearest Sony dealer for a battery replacement.

If the unit does not operate properly

- Follow the procedure below to reset the unit. Put the units into the charging case, then touch and hold the touch sensor control panel on the left unit. When the indicator (red) on the unit turns off after flashing (after about 20 seconds), release the touch sensor control panel. Then, touch and hold the touch sensor control panel on the right unit. When the indicator (red) on the unit turns off after flashing (after about 20 seconds), release the touch sensor control panel. The pairing information and other settings are retained even when the unit is reset.



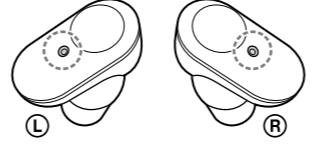
- If the problem persists even after the unit is reset, perform the procedure below to initialize the unit. Put the units into the charging case, then touch and hold the touch sensor control panel on the left and right unit simultaneously. When the indicators (red) start flashing (after about 10 seconds), release the touch sensor control panel. The indicator (blue) flashes 4 times, the unit is initialized, and the unit is reset to the factory settings. When the unit is initialized, all pairing information is deleted.
- After the unit is initialized, it may not connect to your iPhone or computer. If this happens, delete the pairing information of the unit from the iPhone or computer, and then pair them again.

On the noise canceling function

- The noise canceling function senses external ambient noise (such as the noise inside a vehicle or the sound of air conditioning inside a room) with built-in microphones, and produces an equal-but-opposite sound that cancels out the ambient noise.
 - The noise canceling effect may not be pronounced in a very quiet environment, or some noise may be heard.
 - The noise canceling function works for noise in the low frequency band primarily. Although noise is reduced, it is not canceled completely.
 - When you use the unit in a train or a car, noise may occur depending on street conditions.
 - Mobile phones may cause interference and noise. Should this occur, locate the unit further away from the mobile phone.
 - Depending on how you wear the unit, the noise canceling effect may vary or a beeping sound (howling) may occur. If this happens, take off the unit and put it back on again.

- If sound skips frequently during playback
- The situation may be improved by setting the sound quality mode to "priority on stable connection." For details, refer to the Help Guide.
- The situation may be improved by changing the wireless playback quality settings or fixing the wireless playback mode to SBC on the transmitting device. For details, refer to the operating instructions supplied with the transmitting device.

- Do not cover the microphones of the unit with your hands or other objects. Doing so may prevent the noise canceling function or the Ambient Sound Mode from working properly, or may cause a beeping sound (howling) to occur. If this happens, take your hands or other object off of the microphones of the unit.



Notes on wearing the unit

- After use, remove the headphones slowly.
- Because the earbuds achieve a tight seal in the ears, forcibly pressing them in or quickly pulling them out can result in eardrum damage. When putting the earbuds into your ears, the speaker diaphragm may produce a click sound. This is not a malfunction.

On triple-comfort earbuds

- The supplied triple-comfort earbuds provide a snug fit to effectively block out ambient noise.

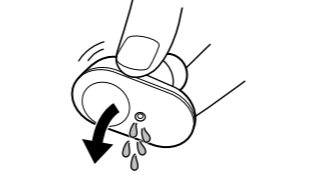
- Notes**
 - Prolonged use of snug-fitting earbuds may strain your ears. If you experience discomfort, discontinue use.
 - Do not pull on the foamed silicone portion of the earbuds. If the foamed silicone portion is separated from the earbuds, the earbuds will not function.
 - Do not subject the foamed silicone portion of the earbuds to pressure over long periods, as it may cause deformation.
 - The varying sizes of the holes on the foamed silicone portion of the earbuds have no effect on the sound quality.
 - You may hear a cracking noise in your ears when wearing the earbuds. This is not a malfunction.
 - The foam materials used in the earbuds deteriorate with long-term use and storage. Replace the earbuds if the deterioration results in reduced performance.

Other notes

- Do not subject the unit to excessive shock.
- The touch sensor may not operate properly if you apply stickers or other adhesive items to the touch sensor control panel.
- The Bluetooth function may not work with a mobile phone, depending on the signal conditions and the surrounding environment.
- If you experience discomfort while using the unit, stop using it immediately.
- The earbuds may be damaged or deteriorate with long-term use and storage.
- If the earbuds become dirty, remove them from the unit and gently wash them by hand using a neutral detergent. After cleaning, thoroughly wipe off any moisture.

Cleaning the unit

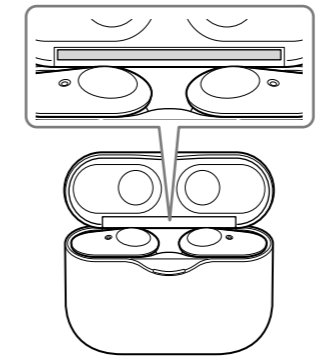
- When the outside of the unit is dirty, clean it by wiping with a soft dry cloth. If the unit is particularly dirty, soak a cloth in a dilute solution of neutral detergent, and wring it well before wiping. Do not use solvents such as thinner, benzene, or alcohol, as they may damage the surface.
- Turn the microphone hole downward and gently tap it about five times towards a dry cloth etc. If any water drops are left in the microphone hole, it may cause corrosion.



- If you have any questions or problems concerning this unit that are not covered in this manual, please consult your nearest Sony dealer.

Replacement parts: Long hybrid silicone rubber earbuds, Triple-comfort earbuds
Please consult your nearest authorized Sony retailer or www.sony.com for information about replacement parts.

Location of the serial number label



Specifications

Headset

Power source:
DC 3.7 V: Built-in lithium-ion rechargeable battery
DC 5 V: When charged using USB
Operating temperature:
0 °C to 40 °C (32 °F to 104 °F)
Rated power consumption:
1 W (Headset), 3 W (Charging case)
Usage hours:
When connecting via the Bluetooth device
Music playback time: Max. 6 hours (NC ON), Max. 6 hours (Ambient Sound Mode), Max. 8 hours (NC OFF)
Communication time: Max. 4 hours (NC ON), Max. 4 hours (Ambient Sound Mode), Max. 4.5 hours (NC OFF)
Standby time: Max. 9 hours (NC ON), Max. 8.5 hours (Ambient Sound Mode), Max. 15 hours (NC OFF)
Note: Usage hours may be shorter depending on the Codec and the conditions of use.

Charging time:
Approx. 1.5 hours (Headset)
(About 90 minutes of music playback is possible after 10 minutes charging.)
Approx. 3.5 hours (Charging case)
Note: Charging and usage hours may be different depending on the conditions of use.

Charging temperature:
5 °C to 35 °C (41 °F to 95 °F)
Mass:
Approx. 8.5 g × 2 (0.3 oz × 2) (Headset)
Approx. 77 g (2.8 oz) (Charging case)

Included items:
Wireless Noise Canceling Stereo Headset (1)
USB Type-C™ cable (USB-A to USB-C™) (approx. 20 cm (7.89 in.)) (1)
Long hybrid silicone rubber earbuds (S5 (1 line) (2), S2 (lines) (2), M (3 lines) (attached to the unit at the factory) (2), L (4 lines) (2))
Triple-comfort earbuds (S (orange) (2), M (green) (2), L (light blue) (2))
Charging case (1)

Communication specification

Communication system:
Bluetooth Specification version 5.0
Output:
Bluetooth Specification Power Class 1
Maximum communication range:
Line of sight approx. 10 m (30 ft)¹⁾
Frequency band:
2.4 GHz band (2.4000 GHz - 2.4835 GHz)
Compatible Bluetooth profiles²⁾:
A2DP / AVRCP / HFP / HSP
Supported Codec³⁾:
SBC / AAC
Transmission range (A2DP):
20 Hz - 20,000 Hz (Sampling frequency 44.1 kHz)

¹⁾ The actual range will vary depending on factors such as obstacles between devices, magnetic fields around a microwave oven, static electricity, reception sensitivity, antenna's performance, operating system, software application, etc.
²⁾ Bluetooth standard profiles identified the purpose of Bluetooth communications between devices.
³⁾ Codec: Audio signal compression and conversion format

Design and specifications are subject to change without notice.

System requirements for battery charge using USB

USB AC adaptor
A commercially available USB AC adaptor capable of supplying an output current of 0.5 A (500 mA) or more

Compatible iPhone/iPod models

iPhone X, iPhone 8 Plus, iPhone 8, iPhone 7 Plus, iPhone 7, iPhone SE, iPhone 6s Plus, iPhone 6s, iPhone 6 Plus, iPhone 6, iPhone 5s, iPod touch (6th generation)
(As of May 2019)

Trademarks

- Apple, iPhone, iPod and iPod touch are trademarks of Apple Inc., registered in the U.S. and other countries.
- Use of the Made for Apple badge means that an accessory has been designed to connect specifically to the Apple product(s) identified in the badge, and has been certified by the developer to meet Apple performance standards. Apple is not responsible for the operation of this device or its compliance with safety and regulatory standards.
- Google and Android are trademarks of Google LLC.
- The Bluetooth® word mark and logos are registered trademarks owned by the Bluetooth SIG, Inc. and any use of such marks by Sony Corporation is under license.
- The N-Mark is a trademark or registered trademark of NFC Forum, Inc. in the United States and in other countries.
- USB Type-C™ and USB-C™ are trademarks of USB Implementers Forum.
- Other trademarks and trade names are those of their respective owners.

Notes on the License

This product contains software that Sony uses under a licensing agreement with the owner of its copyright. We are obligated to announce the contents of the agreement to customers under requirement by the owner of copyright for the software. Please access the following URL and read the contents of the license.
<https://rd1.sony.net/help/mdr/sl/19b/>

Français

Casque stéréo sans fil réducteur de bruits

RECYCLAGE DES ACCUMULATEURS RECHARGEABLES

Les accumulateurs rechargeables sont recyclables. Vous pouvez contribuer à préserver l'environnement en rapportant les piles usées dans un point de collection et recyclage le plus proche.
Pour plus d'informations sur le recyclage des accumulateurs, visitez <http://www.sony.com/electronics/eco/environmental-management>
Avertissement: Ne pas utiliser des accumulateurs rechargeables qui sont endommagés ou qui fuient.

Pour la clientèle au Canada

L'émetteur/récepteur exempt de licence contenu dans le présent appareil est conforme aux CNR d'Innovation, Sciences et Développement économique Canada applicables aux deux conditions suivantes :
1) l'appareil ne doit pas produire de brouillage;
2) l'utilisateur de l'appareil doit accepter tout brouillage radioélectrique subi, même si le brouillage est susceptible d'en compromettre le fonctionnement
Les connaissances scientifiques dont nous disposons n'ont mis en évidence aucun problème de santé associé à l'usage des appareils sans fil à faible puissance. Nous ne sommes cependant pas en mesure de prouver que ces appareils sans fil à faible puissance sont entièrement sans danger. Les appareils sans fil à faible puissance émettent une énergie fréquence radioélectrique (RF) très faible dans le spectre des micro-ondes lorsqu'ils sont utilisés. Alors qu'une dose élevée de RF peut avoir des effets sur la santé (en chauffant les tissus), l'exposition à de faibles RF qui ne produisent pas de chaleur n'a pas de mauvais effets connus sur la santé. De nombreuses études ont été menées sur les expositions aux RF faibles et n'ont découvert aucun effet biologique. Certaines études ont suggéré qu'il pouvait y avoir certains effets biologiques, mais ces résultats n'ont pas été confirmés par des recherches supplémentaires. Casque stéréo sans fil réducteur de bruits (WF-1000XM3) a été testé et jugé conforme aux limites d'exposition aux rayonnements ISDE énoncées pour un environnement non contrôlé et respecte les règles d'exposition aux fréquences radioélectriques (RF) CNR-102 de l'ISDE.

Ne l'utilisez pas à un endroit dangereux, à moins que vous puissiez entendre les sons environnants.

L'appareil n'est pas résistant à l'eau. Si de l'eau ou des corps étrangers pénètrent dans l'appareil, cela peut entraîner un incendie ou un choc électrique. Si de l'eau ou un corps étranger pénètre dans l'appareil, cessez immédiatement de l'utiliser et consultez votre détaillant Sony le plus proche. N'oubliez pas de suivre, notamment, les précautions ci-dessous.
– Utilisation près d'un évier, etc.
– Veillez à ce que l'appareil ne tombe pas dans un évier ou un récipient rempli d'eau.
– Utilisation sous la pluie ou la neige ou dans des endroits humides.
– Utilisation pendant que vous transpirez
Si vous touchez l'appareil avec les mains mouillées ou le mettez dans la poche d'un vêtement humide, l'appareil peut devenir mouillé.

Pour plus de renseignements sur l'effet de contact sur le corps humain que peut avoir un téléphone mobile ou autre périphérique sans fil connecté à l'appareil, consultez le manuel d'instructions du périphérique sans fil.
Installez fermement les oreillettes. Sinon, elles peuvent se détacher et rester dans vos oreilles, entraînant des blessures ou des maladies.

Il y a un risque que cet appareil ou ses petites pièces puissent être avalés. Après l'utilisation, rangez l'appareil dans l'étui de chargement et rangez-le dans un endroit hors de portée des enfants.
Remarque sur l'électricité statique
L'électricité statique accumulée dans votre corps peut causer une légère sensation de picotement dans vos oreilles. Pour réduire l'effet, portez des vêtements fabriqués à partir de matériaux naturels, qui permettent d'éviter la production d'électricité statique.

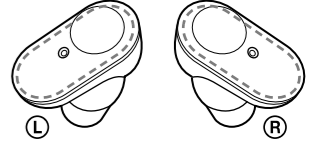
IMPORTANT : LE RÉGLAGE D'USINE PAR DÉFAUT DU GUIDAGE VOCAL POUR CET APPAREIL EST L'ANGLAIS.
Le guidage vocal peut se faire entendre en provenance de l'appareil :
– Lors de la mise en marche : « Power on » (Marche)
– Lors de la mise en arrêt : « Power off » (Arrêt)
– Lorsque le niveau restant de la batterie est faible et qu'une recharge est recommandée : « Low battery, please recharge headset » (Batterie faible, veuillez recharger le casque d'écoute)
– Lors de la mise en arrêt automatique en raison de la batterie faible : « Please recharge headset. Power off » (Veuillez recharger le casque d'écoute. Arrêt)
– Lors de la vérification du niveau restant de la batterie : « Battery fully charged » / « Battery about 70% » / « Battery about 50% » (Batterie entièrement chargée / Batterie environ 70 % / Batterie environ 50 %)
– Lorsque l'appareil passe en mode de jumelage : « Bluetooth pairing » (Jumelage Bluetooth)
– Lors de l'établissement d'une connexion Bluetooth : « Bluetooth connected » (Bluetooth connecté)
– Lors de la désactivation d'une connexion Bluetooth : « Bluetooth disconnected » (Bluetooth déconnecté)
– Lors de l'activation de la fonction de réduction de bruits : « Noise canceling » (Réduction de bruits)
– Lors de l'activation du Mode sonore ambiant : « Ambient sound » (Son ambiant)
– Lors de la désactivation de la fonction de réduction de bruits et du Mode sonore ambiant : « Ambient sound control off » (Contrôle sonore ambiant désactivé)
– Le bouton Assistant Google a été enfoncé, mais l'Assistant Google n'était pas disponible sur le téléphone intelligent connecté au casque d'écoute : « The Google Assistant is not connected » (L'Assistant Google n'est pas connecté)

Précautions

- Comparativement à une utilisation intérieure, l'utilisation extérieure est peu soumise à la réflexion du signal sur les murs, les sols et les plafonds, ce qui entraîne une perte sonore plus fréquente que lors de l'utilisation à l'intérieur.
- L'antenne est intégrée à l'appareil comme l'indique la ligne en pointillé sur l'illustration ci-dessous. La sensibilité des communications Bluetooth peut être améliorée en retirant tout obstacle entre le périphérique Bluetooth connecté et l'antenne de cet appareil.
- Établissez une connexion entre l'appareil et le périphérique Bluetooth lorsqu'ils sont au moins à 10 m (30 pieds) du périphérique Wi-Fi.
- Désactivez le périphérique Wi-Fi lorsque vous utilisez l'appareil à moins de 10 m (30 pieds) du périphérique Wi-Fi.
- Placez l'appareil et le périphérique Bluetooth aussi près que possible l'un de l'autre.
- Les micro-ondes émis par un périphérique Bluetooth peuvent nuire au fonctionnement des dispositifs médicaux électroniques. Désactivez cet appareil et tout autre périphérique Bluetooth dans les endroits suivants, car cela peut entraîner un accident :
 - dans les hôpitaux, à proximité des places prioritaires dans les trains, aux endroits où des gaz inflammables sont présents, près des portes automatiques ou près des alarmes d'incendie.
 - La lecture audio sur cet appareil peut être retardée par rapport à celle sur le périphérique émetteur en raison des caractéristiques de la technologie sans fil Bluetooth. Par conséquent, le son pourrait ne pas être synchronisé avec l'image lorsque vous visionnez un film ou jouez à un jeu.
 - Ce produit émet des ondes radio lors de l'utilisation en mode sans fil. Lors de l'utilisation en mode sans fil dans un avion, suivez les instructions de l'équipage concernant l'utilisation permise des produits en mode sans fil.
 - L'appareil prend en charge les fonctions de sécurité conformes à la norme Bluetooth en tant que moyen d'assurer la sécurité lors de la communication à l'aide de la technologie sans fil Bluetooth. Cependant, en fonction de la configuration des paramètres et d'autres facteurs, cette sécurité peut ne pas être suffisante. Faites attention lors de vos communications à l'aide de la technologie sans fil Bluetooth.
 - Sony n'assume aucune responsabilité pour tout dommage ou perte résultant de fuites d'informations se produisant lors de l'utilisation des communications Bluetooth.
 - La connexion avec tous les périphériques Bluetooth ne peut pas être garantie.
 - Les périphériques Bluetooth connectés à l'appareil doivent être conformes à la norme Bluetooth prescrite par Bluetooth SIG, Inc., et doivent être certifiés comme étant conformes.
 - Même lorsqu'un périphérique connecté est conforme à la norme Bluetooth, il peut y avoir des cas où les caractéristiques ou les spécifications du périphérique Bluetooth rendent la connexion impossible ou entraînent des différences dans les méthodes de commande, l'affichage ou le fonctionnement.
 - Lors de l'utilisation de l'appareil pour des appels en mode mains libres, du bruit peut se produire en fonction du périphérique connecté ou de l'environnement de communication.
 - En fonction du périphérique à connecter, un certain temps peut être nécessaire pour amorcer les communications.

Si le son saute fréquemment pendant la lecture

- La situation peut être améliorée en réglant le mode de qualité sonore à « priorité à la connexion stable ». Pour plus de détails, consultez le Manuel d'aide.
- La situation peut être améliorée en modifiant les paramètres de qualité de lecture sans fil en réglant le mode de lecture sans fil à SBC sur le périphérique émetteur. Pour plus de détails, consultez le mode d'emploi fourni avec le périphérique émetteur.
- Lorsque vous écoutez de la musique à partir d'un téléphone intelligent, la situation peut être améliorée en fermant les applications inutiles ou en redémarrant le téléphone intelligent.



• Les périphériques Bluetooth et Wi-Fi (IEEE802.11b/g/n) utilisent la même fréquence (2,4 GHz). Lors de l'utilisation de l'appareil à proximité d'un périphérique Wi-Fi, des interférences électromagnétiques peuvent se produire, entraînant du bruit, des pertes sonores ou l'impossibilité de se connecter. Si cela se produit, essayez les solutions suivantes :

- Établissez une connexion entre l'appareil et le périphérique Bluetooth lorsqu'ils sont au moins à 10 m (30 pieds) du périphérique Wi-Fi.
- Désactivez le périphérique Wi-Fi lorsque vous utilisez l'appareil à moins de 10 m (30 pieds) du périphérique Wi-Fi.
- Placez l'appareil et le périphérique Bluetooth aussi près que possible l'un de l'autre.
- Les micro-ondes émis par un périphérique Bluetooth peuvent nuire au fonctionnement des dispositifs médicaux électroniques. Désactivez cet appareil et tout autre périphérique Bluetooth dans les endroits suivants, car cela peut entraîner un accident :
 - dans les hôpitaux, à proximité des places prioritaires dans les trains, aux endroits où des gaz inflammables sont présents, près des portes automatiques ou près des alarmes d'incendie.
 - La lecture audio sur cet appareil peut être retardée par rapport à celle sur le périphérique émetteur en raison des caractéristiques de la technologie sans fil Bluetooth. Par conséquent, le son pourrait ne pas être synchronisé avec l'image lorsque vous visionnez un film ou jouez à un jeu.
 - Ce produit émet des ondes radio lors de l'utilisation en mode sans fil. Lors de l'utilisation en mode sans fil dans un avion, suivez les instructions de l'équipage concernant l'utilisation permise des produits en mode sans fil.
 -

À propos de l'utilisation des applications d'appel pour les téléphones intelligents et les ordinateurs

• Cet appareil prend seulement en charge les appels entrants normaux. Les applications d'appel pour les téléphones intelligents et les ordinateurs ne sont pas prises en charge.

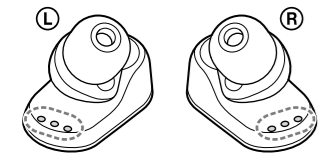
À propos de la charge de l'appareil

• Cet appareil peut seulement être chargé par USB. Un ordinateur avec un port USB ou un adaptateur CA USB est requis pour la charge.

• Assurez-vous d'utiliser le câble USB Type-C fourni.

• Lors de la charge, l'appareil ne peut pas être utilisé en marche et les fonctions Bluetooth et de réduction de bruits ne peuvent pas être utilisées.

• Essayez immédiatement toute transpiration ou eau sur le port de charge après l'utilisation. Si de la transpiration ou de l'eau est laissée sur le port de charge, il pourrait être impossible de charger l'appareil.

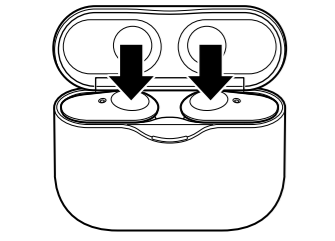


- Si l'appareil n'est pas utilisé pendant une longue période, la batterie rechargeable peut se vider rapidement. La batterie pourra fournir une charge appropriée après avoir été déchargée et rechargée plusieurs fois. Lorsque vous rangez l'appareil pendant une longue période, chargez la batterie une fois tous les six mois afin de prévenir la décharge excessive.
- Si la batterie rechargeable se vide très rapidement, elle doit être remplacée par une nouvelle. Veuillez communiquer avec votre détaillant Sony le plus proche pour obtenir une batterie de rechange.

Si l'appareil ne fonctionne pas correctement

• Suivez la procédure ci-dessous pour réinitialiser l'appareil.

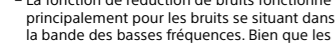
Placez les unités dans le boîtier de charge, puis touchez et maintenez votre doigt sur le panneau de commande à capteur tactile de l'unité de gauche. Lorsque le témoin (rouge) de l'unité s'éteint après le clignotement (après environ 20 secondes), relâchez le panneau de commande à capteur tactile. Ensuite, touchez et maintenez votre doigt sur le panneau de commande à capteur tactile de l'unité de droite. Lorsque le témoin (rouge) de l'unité s'éteint après le clignotement (après environ 20 secondes), relâchez le panneau de commande à capteur tactile. Les informations de jumelage et les autres paramètres sont conservés même lorsque l'appareil est réinitialisé.



- Si le problème persiste même après la réinitialisation de l'appareil, effectuez la procédure ci-dessous pour initialiser l'appareil. Placez les unités dans le boîtier de charge, puis touchez et maintenez votre doigt sur le panneau de commande à capteur tactile des unités de gauche et droite simultanément. Lorsque les témoins (rouges) commencent à clignoter (après environ 10 secondes), relâchez le panneau de commande à capteur tactile. Le témoin (bleu) clignote 4 fois, l'appareil est initialisé, puis l'appareil est réinitialisé aux réglages par défaut. Lorsque l'appareil est initialisé, toutes les informations de jumelage sont supprimées.
- Après l'initialisation de l'appareil, il pourrait ne pas se connecter à votre iPhone ou ordinateur. Si cela se produit, supprimez les informations de jumelage de l'appareil dans le iPhone ou l'ordinateur, puis jumelez-les de nouveau.

À propos de la fonction de réduction de bruits

- La fonction de réduction de bruits détecte les bruits ambiants externes (tels que les bruits à l'intérieur d'un véhicule ou les bruits de la climatisation à l'intérieur d'une pièce) avec les micros intégrés et produit un son égal, mais opposé, qui réduit les bruits ambiants.
 - L'effet de réduction de bruits peut ne pas être prononcé dans un environnement très calme ou un peu de bruit peut être audible.
 - La fonction de réduction de bruits fonctionne principalement pour les bruits se situant dans la bande des basses fréquences. Bien que les bruits soient réduits, ils ne sont pas annulés complètement.
 - Lorsque vous utilisez l'appareil dans un train ou une voiture, du bruit peut se produire selon les conditions de la route.

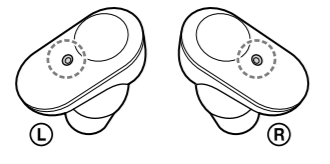


- Si vous avez des questions ou des problèmes concernant cet appareil qui ne sont pas abordés dans ce manuel, veuillez consulter votre détaillant Sony le plus proche.

– Les téléphones mobiles peuvent causer des interférences et du bruit. Si cela se produit, éloignez l'appareil du téléphone mobile.

– Selon la façon dont vous portez l'appareil, l'effet de réduction de bruits peut varier ou un signal sonore (sifflement) peut se produire. Si cela se produit, enlevez l'appareil et remettez-le.

– Ne recouvrez pas les micros de l'appareil avec vos mains ou d'autres objets. Cela pourrait empêcher la fonction de réduction de bruits ou le Mode sonore ambiant de fonctionner correctement ou pourrait provoquer un signal sonore (sifflement). Si cela se produit, enlevez vos mains ou tout autre objet des micros de l'appareil.



Remarques sur le port de l'appareil

- Après l'utilisation, retirez le casque d'écoute lentement.
- Comme les oreillettes réalisent un solide scellement dans les oreilles, appuyer fortement ces dernières dans vos oreilles ou les enlever rapidement peut entraîner des dommages aux tympans. Lorsque vous mettez les oreillettes dans vos oreilles, le diaphragme du haut-parleur peut produire un son de dé clic. Il ne s'agit pas d'un problème de fonctionnement.

À propos des oreillettes triple confort

- Les oreillettes triple confort fournies permettent un port ajusté pour bloquer efficacement le bruit ambiant.

Remarques

– L'utilisation prolongée d'oreillettes ajustées peut causer de la pression sur vos oreilles. Si vous ressentez un inconfort, cessez l'utilisation.

– Ne tirez pas sur la partie en mousse silicone des oreillettes. Si la partie en mousse silicone est séparée de l'oreillette, celle-ci ne fonctionnera pas.

– Ne soumettez pas la partie en mousse silicone des oreillettes à la pression pendant de longues durées, car cela peut entraîner une déformation.

– Les différentes tailles des trous sur la partie en mousse silicone des oreillettes n'ont aucun effet sur la qualité sonore.

– Vous pouvez entendre un bruit de craquement lorsque vous portez les oreillettes. Il ne s'agit pas d'un problème de fonctionnement.

– La mousse utilisée dans les oreillettes se détériore avec l'usage et le rangement prolongés. Remplacez les oreillettes si la détérioration entraîne une réduction des performances.

Autres remarques

- Ne soumettez pas l'appareil à un choc excessif.
- Le capteur tactile peut ne pas fonctionner correctement si vous appliquez des autocollants ou d'autres éléments adhésifs sur le panneau de commande à capteur tactile.
- La fonction Bluetooth peut ne pas fonctionner avec un téléphone mobile, selon les conditions du signal et l'environnement immédiat.
- Si vous ressentez un inconfort lors de l'utilisation de l'appareil, cessez immédiatement de l'utiliser.
- Les oreillettes peuvent être endommagées ou se détériorer avec l'usage et le rangement prolongés.
- Si les oreillettes sont sales, retirez-les de l'appareil et lavez-les délicatement à la main en utilisant un détergent neutre. Après le nettoyage, essayez soigneusement toute l'humidité.

Nettoyage de l'appareil

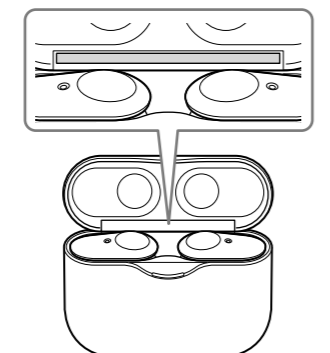
- Lorsque l'extérieur de l'appareil est sale, nettoyez-le en l'essuyant avec un chiffon doux et sec. Si l'appareil est particulièrement sale, imbibez un chiffon d'une solution diluée de détergent neutre et essorez-le bien avant d'essuyer l'appareil. N'utilisez pas de solvants tels que du diluant, du benzène ou de l'alcool, car ils pourraient endommager la surface.
- Placez l'ouverture du microphone vers le bas et tapotez-le délicatement à environ cinq reprises au-dessus d'un chiffon sec, etc. Si des gouttelettes d'eau demeurent dans l'ouverture du microphone, elles pourraient causer de la corrosion.



- Si vous avez des questions ou des problèmes concernant cet appareil qui ne sont pas abordés dans ce manuel, veuillez consulter votre détaillant Sony le plus proche.

<p>Pièces de rechange : Oreillettes longues en caoutchouc de silicone hybride, Oreillettes triple confort</p> <p>Veuillez consulter votre détaillant autorisé Sony le plus proche ou le site www.sony.com pour plus d'informations sur les pièces de rechange.</p>

Emplacement de l'étiquette du numéro de série



Modèles de iPhone/iPod compatibles

iPhone X, iPhone 8 Plus, iPhone 8, iPhone 7 Plus, iPhone 7, iPhone SE, iPhone 6s Plus, iPhone 6s, iPhone 6, iPhone 6, iPhone 5s, iPod touch (6e génération)

(À compter de mai 2019)

Marques de commerce

- Apple, iPhone, iPod et iPod touch sont des marques de commerciales d'Apple Inc., déposées aux États-Unis et dans d'autres pays.
- L'utilisation du badge Made for Apple signifie qu'un accessoire a été conçu pour être raccordé spécifiquement au produit ou aux produits Apple identifiés dans le badge, et a été certifié par le constructeur pour satisfaire les normes de performance d'Apple. Apple n'est pas responsable du fonctionnement de cet appareil ni de sa conformité avec les consignes et normes de sécurité.
- Google et Android sont des marques de Google LLC.
- La marque et les logos Bluetooth® sont des marques déposées détenues par Bluetooth SIG, Inc. et toute utilisation de ces marques par Sony Corporation est sous licence.
- La marque N est une marque de commerce ou une marque déposée de NFC Forum, Inc. aux États-Unis et dans d'autres pays.
- USB Type-C™ et USB-C™ sont des marques commerciales d'USB Implementers Forum.
- Les autres marques de commerce et noms commerciaux appartiennent à leurs propriétaires respectifs.

Remarques sur la licence

Ce produit contient un logiciel que Sony utilise dans le cadre d'un contrat de licence avec le détenteur de ses droits d'auteur. Nous sommes dans l'obligation de communiquer le contenu du contrat aux clients pour nous conformer aux exigences du détenteur des droits d'auteur du logiciel.

Veuillez accéder à l'URL suivante et lire le contenu de la licence.
https://rd1.sony.net/help/mdr/sl/19b/

Durée de chargement : Environ 1,5 heures (Casque) (Environ 90 minutes de lecture musicale sont possibles après un chargement de 10 minutes.)

Environ 3,5 heures (Étui de chargement)
Remarque : La durée de chargement et le nombre d'heures d'utilisation peuvent être différents selon les conditions d'utilisation.

Température de chargement : 5 °C à 35 °C (41 °F à 95 °F)

Masse : Environ 8,5 g × 2 (0,3 oz × 2) (Casque) Environ 77 g (2,8 oz) (Étui de chargement)

Éléments inclus : Casque stéréo sans fil réducteur de bruits (1) Câble USB Type-C™ (USB-A à USB-C™) (environ 20 cm (7,88 po)) (1) Oreillettes longues en caoutchouc de silicone hybride (SS (1 ligne) (2), S (2 lignes) (2), M (3 lignes) (fixées à l'appareil en usine) (2), L (4 lignes) (2)) Oreillettes triple confort (S (Orange) (2), M (Vert) (2), L (Bleu clair) (2)) Étui de chargement (1)

Spécification de communication

Système de communication : Spécification Bluetooth version 5.0

Sortie : Spécification Bluetooth pour classe de puissance 1

Portée de communication maximale : En ligne directe, environ 10 m (30 pi)¹⁾

Bande de fréquence : Bande 2,4 GHz (2,4000 GHz – 2,4835 GHz)

Profils Bluetooth compatibles²⁾ : A2DP / AVRCP / HFP / HSP

Codecs pris en charge³⁾ : SBC / AAC

Plage de transmission (A2DP) : 20 Hz – 20 000 Hz (fréquence d'échantillonnage de 44,1 kHz)

^[1] La portée réelle varie en fonction de nombreux facteurs, tels que la présence d'obstacles entre les périphériques, les champs magnétiques autour des fours à micro-ondes, l'électricité statique, la sensibilité de la réception, les performances de l'antenne, le système d'exploitation, les applications logicielles, etc

^[2] Les profils standard Bluetooth indiquent la fonction des communications Bluetooth entre les périphériques

^[3] Codec : Format de conversion et compression du signal audio

La conception et les spécifications peuvent être modifiées sans préavis.

Configuration requise pour la charge de la batterie par USB

Adaptateur CA USB
Un adaptateur CA USB disponible sur le marché, capable de fournir un courant de sortie de 0,5 A (500 mA) ou plus

Modèles de iPhone/iPod compatibles

iPhone X, iPhone 8 Plus, iPhone 8, iPhone 7 Plus, iPhone 7, iPhone SE, iPhone 6s Plus, iPhone 6s, iPhone 6, iPhone 6, iPhone 5s, iPod touch (6e génération)

(À compter de mai 2019)

Marques de commerce

- Apple, iPhone, iPod et iPod touch sont des marques de commerciales d'Apple Inc., déposées aux États-Unis et dans d'autres pays.
- L'utilisation du badge Made for Apple signifie qu'un accessoire a été conçu pour être raccordé spécifiquement au produit ou aux produits Apple identifiés dans le badge, et a été certifié par le constructeur pour satisfaire les normes de performance d'Apple. Apple n'est pas responsable du fonctionnement de cet appareil ni de sa conformité avec les consignes et normes de sécurité.
- Google et Android sont des marques de Google LLC.
- La marque et les logos Bluetooth® sont des marques déposées détenues par Bluetooth SIG, Inc. et toute utilisation de ces marques par Sony Corporation est sous licence.
- La marque N est une marque de commerce ou une marque déposée de NFC Forum, Inc. aux États-Unis et dans d'autres pays.
- USB Type-C™ et USB-C™ sont des marques commerciales d'USB Implementers Forum.
- Les autres marques de commerce et noms commerciaux appartiennent à leurs propriétaires respectifs.

Si desea obtener más información respecto del efecto que tienen ante el contacto con el cuerpo humano los teléfonos móviles u otros dispositivos inalámbricos conectados a la unidad, consulte el manual de instrucciones del dispositivo inalámbrico.

Coloque las almohadillas con firmeza. De lo contrario, se desprenderán y se quedarán en sus oídos, lo que podría generar alguna lesión o enfermedad.

Existe el peligro de que se traque piezas pequeñas de esta unidad o la unidad misma. Después de su uso, guarde la unidad en la carcasa de carga y guárdela fuera del alcance de niños pequeños.

Nota sobre electricidad estática

La electricidad estática acumulada en el cuerpo puede causar un leve hormigueo en los oídos. Si desea reducir el efecto, utilice ropa fabricada de materiales naturales, que suprimen la generación de electricidad estática.

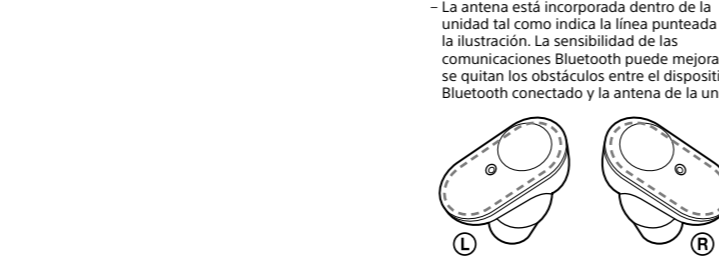
Precauciones

Sobre las comunicaciones BLUETOOTH®

- La tecnología inalámbrica Bluetooth opera dentro de un rango de alrededor 10 m (30 pies). El alcance máximo de la comunicación puede variar según los obstáculos (personas, objetos metálicos, paredes, etc.) o el entorno electromagnético.
- Es posible que las comunicaciones por Bluetooth no estén habilitadas o puede producirse ruido o pérdida de audio en las siguientes condiciones:
 - Hay una persona entre la unidad y el dispositivo Bluetooth. La situación puede mejorar si se coloca el dispositivo Bluetooth hacia la antena de la unidad.
 - Hay un obstáculo, como un objeto metálico o una pared, entre la unidad y el dispositivo Bluetooth.
 - Hay un dispositivo Wi-Fi o un horno microondas en uso, o se emiten microondas cerca de la unidad.
 - En comparación con su uso en interiores, el uso en exteriores está poco expuesto a la reflexión de la señal de las paredes, los pisos y los techos, lo que provoca que la interrupción del audio se dé con mayor frecuencia que el uso en interiores.

– La antena está incorporada dentro de la unidad tal como indica la línea punteada en la ilustración. La sensibilidad de las comunicaciones Bluetooth puede mejorar si se quitan los obstáculos entre el dispositivo Bluetooth conectado y la antena de la unidad.

- Los dispositivos Bluetooth y Wi-Fi (IEEE802.11b/g/n) utilizan la misma frecuencia (2,4 GHz). El uso de la unidad cerca de un dispositivo Wi-Fi puede ocasionar interferencia electromagnética y provocar ruidos, pérdidas de audio o dificultad en la conexión. Si esto sucede, intente lo siguiente:
 - Establezca una conexión entre la unidad y el dispositivo Bluetooth cuando estos se encuentren a 10 m (30 pies) del dispositivo Wi-Fi como mínimo.
 - Apague el dispositivo Wi-Fi cuando utilice la unidad a menos de 10 m (30 pies) del dispositivo.
 - Coloque la unidad y el dispositivo Bluetooth tan cerca entre sí como sea posible.



- Si utiliza la unidad durante mucho tiempo, la batería recargable podría agotarse rápidamente. La batería podrá mantener una carga apropiada luego de descargarse y recargarse varias veces. Si almacena la unidad durante mucho tiempo, cargue la batería una vez cada seis meses para evitar la descarga excesiva.

Español

El volumen elevado afecta la audición.

No utilice la unidad mientras camina, conduce o anda en bicicleta. Hacerlo puede causar accidentes de tránsito.

No la utilice en un lugar peligroso a menos que pueda ir al baño circundantes.

La unidad no es resistente al agua. Si ingresa agua o algún objeto extraño a la unidad, puede provocar un incendio o electrocución. Si ingresa agua o algún objeto extraño a la unidad, interrumpa su uso de inmediato y consulte al distribuidor Sony más cercano. En especial, recuerde acatar las precauciones que se mencionan a continuación.

- Uso cerca de un fregadero, etc.
- Uso bajo lluvia o nieve, o en lugares húmedos
- Uso mientras está sudado

Si toca la unidad con las manos mojadas o coloca la unidad en el bolsillo de alguna prenda húmeda, la unidad se mojará.

Si desea obtener más información respecto del efecto que tienen ante el contacto con el cuerpo humano los teléfonos móviles u otros dispositivos inalámbricos conectados a la unidad, consulte el manual de instrucciones del dispositivo inalámbrico.

Coloque las almohadillas con firmeza. De lo contrario, se desprenderán y se quedarán en sus oídos, lo que podría generar alguna lesión o enfermedad.

Existe el peligro de que se traque piezas pequeñas de esta unidad o la unidad misma. Después de su uso, guarde la unidad en la carcasa de carga y guárdela fuera del alcance de niños pequeños.

Nota sobre electricidad estática

La electricidad estática acumulada en el cuerpo puede causar un leve hormigueo en los oídos. Si desea reducir el efecto, utilice ropa fabricada de materiales naturales, que suprimen la generación de electricidad estática.

Las microondas que se emiten desde un dispositivo Bluetooth pueden afectar el funcionamiento de los dispositivos médicos electrónicos. Apague esta unidad y otros dispositivos Bluetooth en las siguientes ubicaciones, ya que pueden causar un accidente:

- hospitales, cerca de asientos de prioridad

– los trenes, lugares donde haya gas inflamable, puertas automáticas o cerca de alarmas contra incendios.

• La reproducción de audio en la unidad puede estar retrasada con respecto a del dispositivo de transmisión debido a las características de la tecnología inalámbrica Bluetooth. Por lo tanto, la imagen y el sonido podrían estar desalineados al mirar una película o jugar un videojuego.

• Cuando se lo utiliza en el modo inalámbrico, este producto emite ondas de radio. Cuando utilice el dispositivo en modo inalámbrico en un avión, siga las instrucciones de la tripulación respecto del uso permitido de productos en modo inalámbrico.

- La unidad admite funciones de seguridad que cumplen con el estándar Bluetooth para ofrecer una conexión segura durante la comunicación con la tecnología inalámbrica Bluetooth. Sin embargo, según los ajustes de configuración y otros factores, es posible que esta seguridad no sea suficiente. Tenga cuidado al usar la comunicación con la tecnología inalámbrica Bluetooth.
 - Sony no es responsable por daños o pérdidas por filtración de información que pueda ocurrir durante las comunicaciones Bluetooth.
 - No se garantiza la conexión de todos los dispositivos Bluetooth.
 - Los dispositivos Bluetooth conectados a esta unidad deben cumplir con el estándar Bluetooth indicado por Bluetooth SIG, Inc. y su cumplimiento debe estar certificado.
 - Incluso cuando un dispositivo conectado cumpla con el estándar Bluetooth, puede haber casos en los que las características o especificaciones del dispositivo Bluetooth hagan imposible la conexión o generen métodos distintos de control, visualización y operación.
 - Al usar la unidad para manos libres en una comunicación telefónica, es posible que se escuchen ruidos según el dispositivo conectado o el entorno de la comunicación.

• Segun el dispositivo que deba conectarse, puede ser necesario cierto tiempo para iniciar las comunicaciones.

• Si el problema persiste luego del reinicio de la unidad, inicialice la unidad de la siguiente manera. Coloque las unidades en el cargador, después toque y mantenga presionado el panel de control del sensor táctil en las unidades izquierda y derecha de manera simultánea. Cuando los indicadores (rojos) comiencen a parpadear (luego de unos 10 segundos), libere el panel de control del sensor táctil. El indicador (azul) parpadeará cuatro veces, la unidad se inicializará y se cargarán los ajustes de fábrica. Luego de inicializarse, toda la información de emparejamiento quedará eliminada.

• Lueo de que la unidad se inicializa, es posible que no se conecte a su iPhone o computadora. Si esto sucede, elimine la información de emparejamiento de la unidad del iPhone o la computadora y luego vuelva a emparejarlos.

• Si el exterior de la unidad se ensucia, límpielo con un paño seco suave. Si la unidad se encuentra muy sucia, sumerja un paño en una solución con detergente neutro y escúralo bien antes de limpiar la unidad. No use solvente como diluyente, bencina o alcohol, ya que estos productos pueden dañar la superficie.

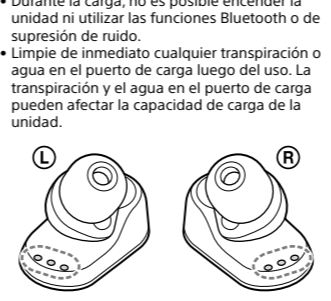
• Gire el orificio del micrófono hacia abajo y muévalo suavemente unas cinco veces apuntando hacia un paño seco. Si una gota de agua queda en el orificio del micrófono, podrá causar corrosión.

Ubicación de la etiqueta del número de serie

- Si tiene preguntas o dudas con respecto a la unidad que no se hayan respondido en este manual, consulte al distribuidor de Sony más cercano.

Plazas de repuesto: Almohadillas de caucho de silicona híbridas tamaño largo, Almohadillas de triple confort Consulte con el vendedor autorizado de Sony más cercano o visite www.sony.com para obtener más información sobre las piezas de repuesto.

Ubicación de la etiqueta del número de serie



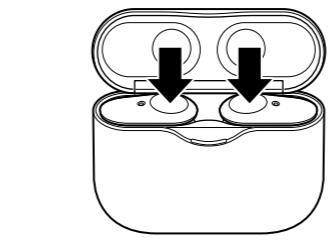
- Si utiliza la unidad durante mucho tiempo, la batería recargable podría agotarse rápidamente. La batería podrá mantener una carga apropiada luego de descargarse y recargarse varias veces. Si almacena la unidad durante mucho tiempo, cargue la batería una vez cada seis meses para evitar la descarga excesiva.

• Si la batería recargable se agota muy rápidamente, reemplácela por una nueva. Comuníquese con el distribuidor de Sony más cercano para obtener un reemplazo de la batería.

Si la unidad no funciona correctamente

• Siga estos pasos para reiniciar la unidad. Coloque las unidades en el cargador, luego toque y mantenga presionado el panel de control del sensor táctil en la unidad izquierda. Cuando el indicador (rojo) de la unidad se apague después de parpadear (luego de unos 20 segundos), libere el panel de control del sensor táctil. El indicador (rojo) de la unidad se apague después de parpadear (luego de unos 20 segundos), libere el panel de control del sensor táctil. Si esto sucede, quite la unidad y pruéngala de nuevo.

• No cubra los micrófonos de la unidad con las manos u otros objetos. Esto puede impedir que la función de supresión de ruido o el modo de sonido ambiente funcione correctamente o puede generar un pitido (chillido). Si esto sucede, quite las manos o el objeto de los micrófonos de la unidad.



• Si el problema persiste luego del reinicio de la unidad, inicialice la unidad de la siguiente manera. Coloque las unidades en el cargador, después toque y mantenga presionado el panel de control del sensor táctil en las unidades izquierda y derecha de manera simultánea. Cuando los indicadores (rojos) comiencen a parpadear (luego de unos 10 segundos), libere el panel de control del sensor táctil. El indicador (azul) parpadeará cuatro veces, la unidad se inicializará y se cargarán los ajustes de fábrica. Luego de inicializarse, toda la información de emparejamiento quedará eliminada.

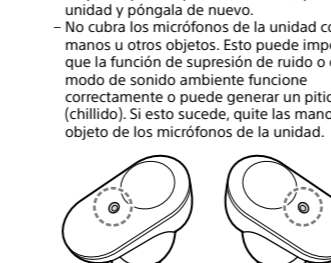
• Lueo de que la unidad se inicializa, es posible que no se conecte a su iPhone o computadora. Si esto sucede, elimine la información de emparejamiento de la unidad del iPhone o la computadora y luego vuelva a emparejarlos.

• Si el exterior de la unidad se ensucia, límpielo con un paño seco suave. Si la unidad se encuentra muy sucia, sumerja un paño en una solución con detergente neutro y escúralo bien antes de limpiar la unidad. No use solvente como diluyente, bencina o alcohol, ya que estos productos pueden dañar la superficie.

• Gire el orificio del micrófono hacia abajo y muévalo suavemente unas cinco veces apuntando hacia un paño seco. Si una gota de agua queda en el orificio del micrófono, podrá causar corrosión.

- Si tiene preguntas o dudas con respecto a la unidad que no se hayan respondido en este manual, consulte al distribuidor de Sony más cercano.

Plazas de repuesto: Almohadillas de caucho de silicona híbridas tamaño largo, Almohadillas de triple confort Consulte con el vendedor autorizado de Sony más cercano o visite www.sony.com para obtener más información sobre las piezas de repuesto.



Notas sobre la ubicación de la unidad

• Lueo del uso, quite los auriculares lentamente.

• Debido a que las almohadillas se ajustan firmemente en los oídos, presionarlas fuertemente hacia dentro o tirar de ellos para sacarlos puede causar lesiones en los tímpanos.

• Al ponerse las almohadillas en los oídos, el diafragma del altavoz puede producir un clic. Esto no es una falla.

Almohadillas de triple confort

• Las almohadillas de triple confort incluidos ofrecen una adaptación cómoda que bloquea de manera efectiva el sonido de ambiente.

Notas

– El uso prolongado de estos almohadillas puede lastimar los oídos. Si siente incomodidad, interrumpa el uso.

- No tire de la porción de silicona espumada de las almohadillas. Si la porción de silicona espumada se separa de las almohadillas, estas no funcionarán.
- No exponga la porción de silicona espumada de las almohadillas a presión durante largos períodos ya que pueden deformarse.

– El distinto tamaño de los orificios de la porción de silicona espumada de las almohadillas no afecta la calidad de sonido.

- Es posible que escuche un chasquido al usar las almohadillas. Esto no es una falla.
- El material espumoso de las almohadillas se deteriora con el uso prolongado y el almacenamiento. Reemplace las almohadillas si el deterioro genera una reducción en el rendimiento.

Notas adicionales

• No exponga la unidad a impactos excesivos.

- Es posible que el sensor de tacto no funcione correctamente si pega calcomanías u otros adhesivos en el panel de control del sensor de tacto.

• Es posible que la función de Bluetooth no funcione con un teléfono móvil según las condiciones de señal y el entorno.

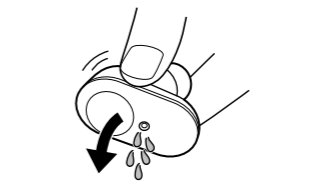
• Si siente molestia al usar la unidad, interrumpa su uso de inmediato.

• Las almohadillas pueden dañarse o deteriorarse con el uso prolongado y el almacenamiento.

• Si las almohadillas se ensucian, quítelos de la unidad y lívelos cuidadosamente a mano con un detergente neutro. Luego de limpiarlas, asegúrese de que no queden húmedas.

Limpieza de la unidad

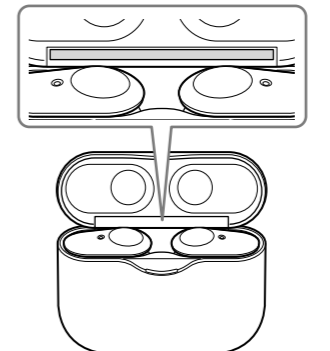
- Si el exterior de la unidad se ensucia, límpielo con un paño seco suave. Si la unidad se encuentra muy sucia, sumerja un paño en una solución con detergente neutro y escúralo bien antes de limpiar la unidad. No use solvente como diluyente, bencina o alcohol, ya que estos productos pueden dañar la superficie.
- Gire el orificio del micrófono hacia abajo y muévalo suavemente unas cinco veces apuntando hacia un paño seco. Si una gota de agua queda en el orificio del micrófono, podrá causar corrosión.



- Si tiene preguntas o dudas con respecto a la unidad que no se hayan respondido en este manual, consulte al distribuidor de Sony más cercano.

Plazas de repuesto: Almohadillas de caucho de silicona híbridas tamaño largo, Almohadillas de triple confort Consulte con el vendedor autorizado de Sony más cercano o visite www.sony.com para obtener más información sobre las piezas de repuesto.

Ubicación de la etiqueta del número de serie



Especificaciones

Auriculares