



Television

Operating Instructions

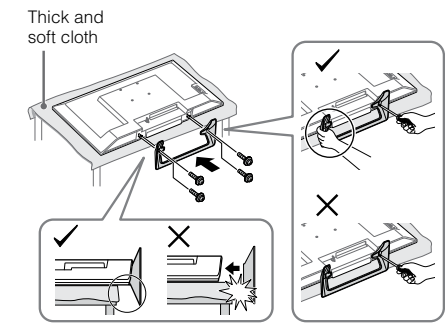
Checking the accessories

- Table-Top Stand (1)*
- Fixing screws for Table-Top Stand (M4 x 20) (4)
- Remote control (1)
- AC power cord (mains lead) (1)
- AC adapter (1)
- Size AAA batteries (2)
- Operating Instructions (this manual) and other documents

* Refer to the supplied Setup Guide to assemble the Table-Top Stand.

1: Attaching the Table-Top Stand

- If using an electric screwdriver, set the tightening torque at approximately 1.2 N·m (12 kgf·cm).

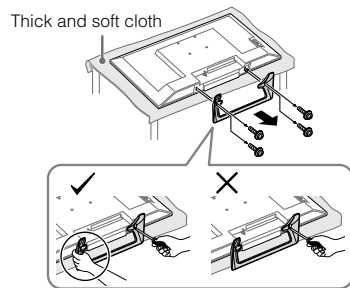


http://www.sony.net/

© 2019 Sony Visual Products Inc. Printed in India

Detaching the Table-Top Stand from the TV

- Do not remove the Table-Top Stand for any reason other than to wall-mount the TV.



2: Mounting the TV on the wall

This TV's instruction manual only provides the steps to prepare the TV for Wall-Mount installation before it is installed on the wall.

To Customers: For product protection and safety reasons, Sony strongly recommends that installation of your TV be performed by Sony dealers or licensed contractors. Do not attempt to install it yourself.

To Sony Dealers and Contractors: Provide full attention to safety during the installation, periodic maintenance and examination of this product.

Sufficient expertise is required for installing this product, especially to determine the strength of the wall for withstanding the TV's weight. Be sure to entrust the attachment of this product to the wall to Sony dealers or licensed contractors and pay adequate attention to safety during the installation. Sony is not liable for any damage or injury caused by mishandling or improper installation.

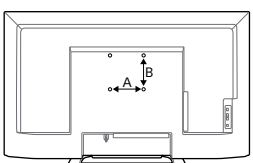
Use the Wall-Mount Bracket SU-WL450 (not supplied) to install the TV to the wall. When installing the Wall-Mount Bracket, also refer to the Operating Instructions and Installation Guide supplied with the Wall-Mount Bracket.

- Be sure to store the removed screws in a safe place, keeping them away from children.
- Place the TV with its screen facing down on a level and stable surface covered with a thick and soft cloth when securing the Mounting Hook or when removing the Table-Top Stand from the TV to prevent damaging the surface of the LCD display.

Precautions

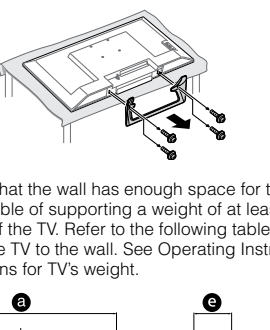
- Detach the Table-Top Stand from the TV. For details, refer to (Detaching the Table-Top Stand from the TV).

Wall mount location

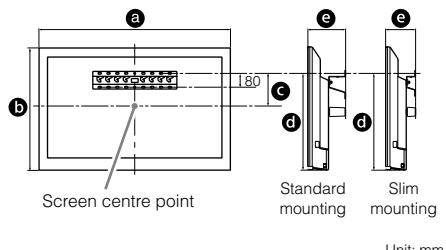


Model Name KLV-	A (mm)	B (mm)
40R252G	300	200
32R202G	100	100

To detach the Table-Top Stand from the TV



- Make sure that the wall has enough space for the TV and is capable of supporting a weight of at least four times that of the TV. Refer to the following table on installing the TV to the wall. See Operating Instructions Specifications for TV's weight.



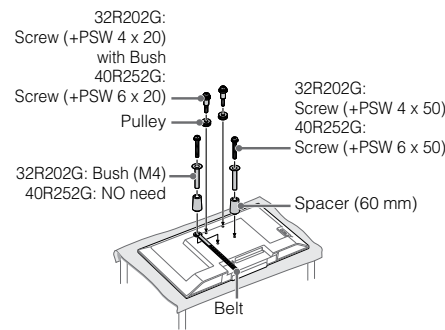
Model Name KLV-	Display dimensions		Screen centre dimension		Length for mounting	
	a	b	c	d	Standard mounting	Slim mounting
40R252G	916	542	56	334	134	93
32R202G	730	437	117	344	134	93

- Figures in the table may differ slightly depending on the installation.
- When your TV is installed on the wall, the upper side of the TV slightly leans forward.

- Attach the Attachment parts for Wall-Mount Bracket. Check the Attachment parts by referring to "1" of the Wall-Mount Bracket Installation Guide.

- If using an electric screwdriver, set the torque at approximately 1.5 N·m (15 kgf·cm).
- Be sure to store the unused parts in a safe place for future use. Retain this manual for future reference.

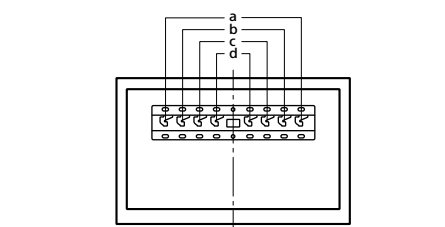
Standard mounting



3 Connect necessary cables to the TV.

- You cannot access to any terminal after installing the TV to the wall.

- Install the TV to the Base. Refer to "5" of Installation Guide and "Installing the TV to the Wall" of Operating Instructions supplied with the Wall-Mount Bracket.



Model Name KLV-	Hook location
40R252G	b
32R202G	d



Refer to the instructions supplied with the Wall-Mount Bracket for your model to install the TV on the wall.

3: Connections

Picture Quality

- AV composite cable
- Antenna (aerial) cable

- Component cable

- HDMI cable



Standard definition (SD) videos have picture signals with a vertical resolution of 480 (NTSC) or 576 (PAL/SECAM) lines.

High definition (HD) videos have picture signals with a vertical resolution of 720 or 1,080 lines.

Set Top Box (STB)

If Cable, Connectivity, and other External Devices are defective or not done correctly, it may cause TV showing symptoms below:
TV Auto OFF/ON @ TV No Audio @ TV No Picture

Cables Condition

- Make sure the cables at A, B, and C are in good condition and not defective

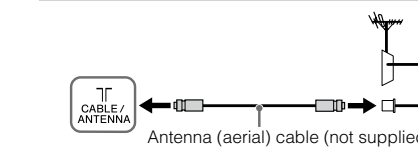
Cables Connectivity

- Make sure the cables and connectors at A, B, and C are inserted and connected correctly

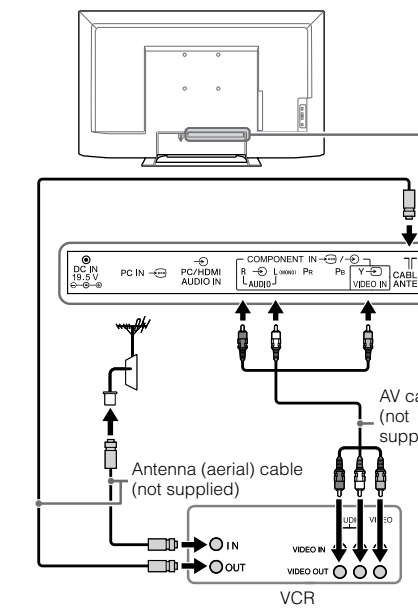
Set Top Box (STB)

Make sure the STB is working fine and no issue from the Service Provider

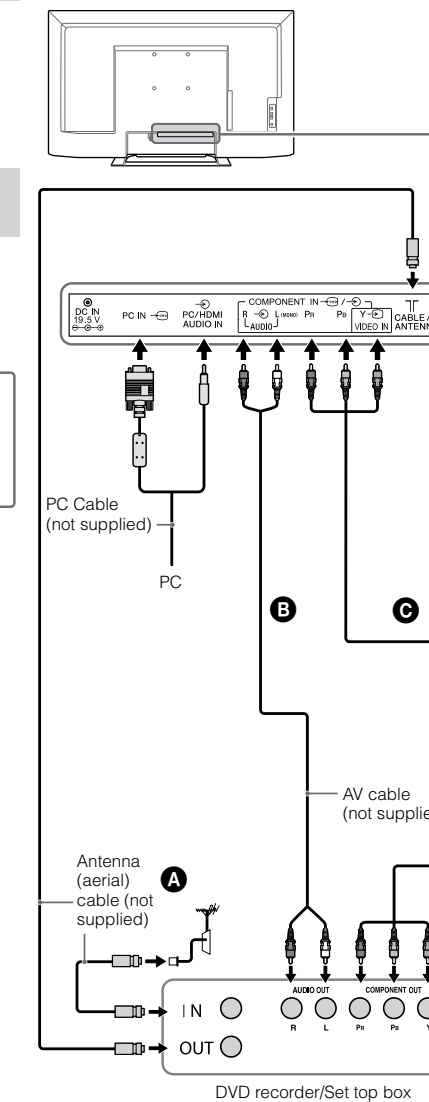
Connecting an antenna (aerial)/cable



Connecting an antenna (aerial)/cable and VCR



Connecting audio/video devices/Set top box



BRAVIA

KLV-40R252G / 32R202G

4: Preventing the TV from toppling over



Follow the instructions on the screen.

- You can also tune channels manually.
- Language options vary depending on model.
- Select "Home" from "Location" for the best TV settings to use the TV in the home.

To select TV position:



- To exit "Set-up" menu: HOME

Overview of the TV controls and indicators

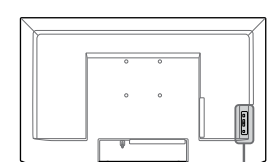
Front View



Power/Standby indicator

- Lights off when in standby.
- Lights up in green when the TV is turned on.
- Flashes while the remote is being operated.

Back View



Power

- Turns the TV on or switch to standby mode.

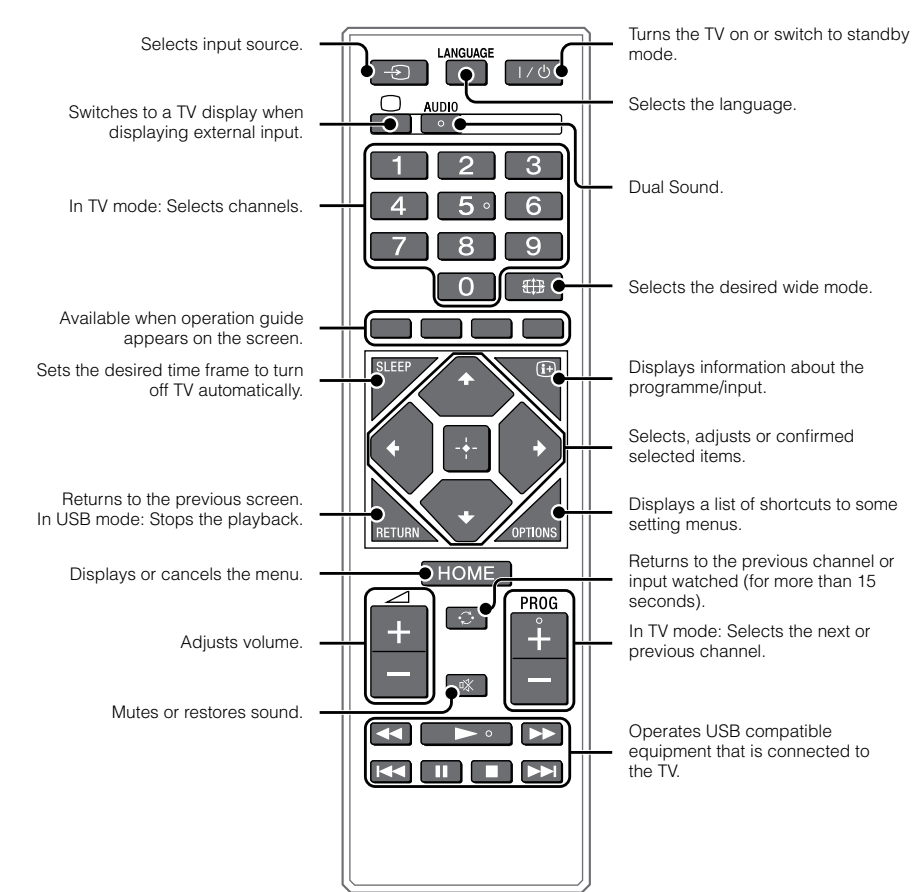
Volume

- Adjusts volume.
- Moves through options up or down when selecting channels or input source.

CH/INPUT

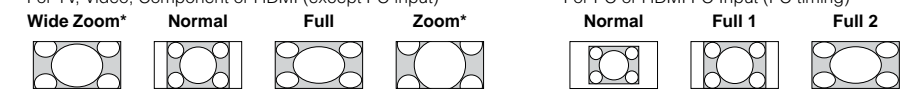
- Press button until "1" Programme +/- appears and selects channels with Volume button.
- Press button until "1" Input select* appears and selects input source with Volume button.

Overview of the remote control



To change the Wide Mode

For TV, Video, Component or HDMI (except PC input)



- * Parts of the top and bottom of the picture may be cut off.

- Some options may not be available depending on the signal source.

Introduction

Thank you for choosing this Sony product. Before operating the TV, please read this manual thoroughly and retain it for future reference.

- Images and illustrations used in Setup Guide and this manual are for reference only and may differ from actual product.
- The illustrations of the remote control used in this manual are of the RM-TT112P unless otherwise stated.
- Before operating the TV, please read Safety Information. Retain this manual for future reference.

Location of the Setup Guide

Setup Guide is placed on top of the cushion inside the TV carton.

Location of the identification label

Labels for TV Model No. and Power Supply rating are located on the rear of the TV. Labels for the AC adapter Model No. and Serial No. are located on the bottom of the AC adapter.

Disposal of the TV set

Disposal of Old Electrical & Electronic Equipment (Applicable in the European Union and other countries with separate collection systems)

Disposal of the TV set

Disposal of Old Electrical & Electronic Equipment (Applicable in Republic of India)

This symbol and its variations indicate that this product and its components, consumables, parts or spares thereof shall not be treated as household waste and may not be dropped in garbage bins. Product owners are advised to deposit their product at the nearest collection point for the recycling of electrical and electronic equipment. Your co-operation shall facilitate proper disposal and help prevent potential negative consequences/hazards to the environment and human health, which could otherwise be caused by inappropriate waste disposal including improper handling, accidental breakage, damage and/or improper recycling of e-waste. The recycling of materials will help to conserve natural resources. For more detailed information about recycling of this product, please contact your local civic office, your household waste disposal service provider or the store where you made the purchase. You may contact our company's toll free number in India for assistance.

Toll Free: 1800-103-7799

Visit: www.sony.co.in for product recycling

Reduction in the Use of Hazardous Substances in Electrical & Electronic Equipment (Applicable in Republic of India)

This product and its components, consumables, parts or spares comply with the hazardous substances restriction of India E-Waste (Management) Rules. The maximum allowable concentrations of the restricted substances are 0.1% by weight in homogeneous materials for Lead, Mercury, Hexavalent Chromium, Polybrominated Biphenyls (PBB) and Polybrominated Diphenyl Ethers (PBDE), and 0.01% by weight in homogeneous materials for Cadmium, except for the exemptions specified in Schedule II of the aforesaid Rules.

Trademark information

The terms HDMI and HDMI High-Definition Multimedia Interface, and the HDMI Logo are trademarks or registered trademarks of HDMI Licensing Administrator, Inc. in the United States and other countries.

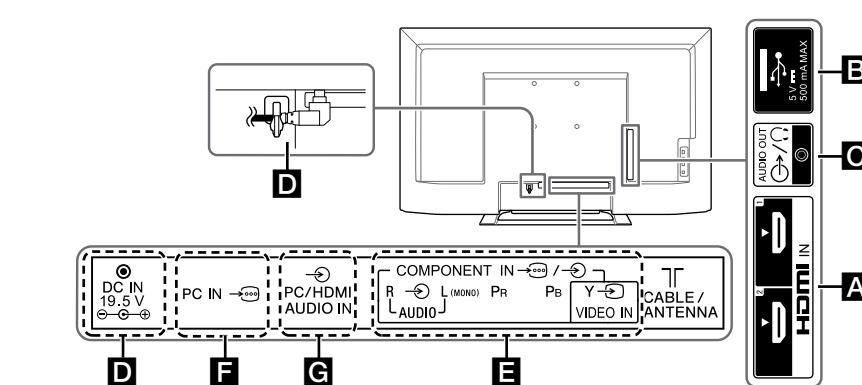
- Manufactured under license from Dolby Laboratories. Dolby, Dolby Audio, and the double-D symbol are trademarks of Dolby Laboratories.
- BRAVIA and BRAVIA are trademarks of Sony Corporation.
- Blu-ray Disc is a trademark.



Viewing pictures from the connected equipment

Turn on the connected equipment, then press [CH/INPUT] on the remote control or CH/INPUT on the TV to display the connected equipment list.

Rear View



- A HDMI IN 1 and HDMI IN 2 (Home Theatre systems, Camcorder, Blu-ray Disc player, DVD player, PC with HDMI output).** Connect to the HDMI IN jack if the equipment has an HDMI jack.

- The HDMI jacks can support PC timing in HDMI PC mode. Refer to (PC input signal reference chart for HDMI IN 1, 2) next to "PC settings".
- Be sure to use only an authorized HDMI cable bearing the HDMI logo.

- B - (Digital still camera, Camcorder, USB storage media)** Access photo/music/video files stored on a USB device.

- C AUDIO OUT (Stereo systems, Headphone)** Connect with an audio cable or headphones. You can listen to TV sound through your stereo system or headphones. You can select "Variable" or "Fixed" in the "Audio Out" menu.

- D DC IN 19.5 V** AC IN 110 V ~ 240 V AC, 50/60 Hz Connect AC adapter to the DC IN 19.5 V jack.

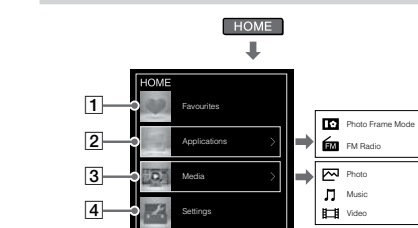
- Be sure to fix adapter plug in hook.

- E VIDEO IN / COMPONENT IN / AUDIO (DVD player, VCR, Video game equipment, S VHS/Hi8/DVC camcorder, DVD player with component output)** Connect to the VIDEO IN jack and the AUDIO jacks. If you connect mono equipment, connect to the L (MONO) jack. For better picture quality, component connection is recommended if your DVD player has a component video output. Connect to the COMPONENT IN jacks.

PC IN

- F - PC / HDMI AUDIO IN** Connect to the PC / HDMI AUDIO IN. It is recommended to use an audio input (stereo minijack).

Using Menu Functions

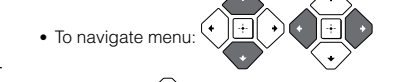


- To exit Home menu: HOME
- To navigate menu: [Left/Right/Up/Down]
- To enter: [Enter]

1 Favourites

Store up to 18 channels or external inputs.

- To add a current channel or external inputs into Favourites list



- To select Photo/Music
- To select Display Mode

You are also able to select Photo/Music/Display Mode from HOME -> Settings -> Set-up -> Photo Frame Settings.

To watch a channel or external input



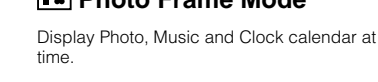
- To exit Favourites List: [Home]
- When you run the "Auto Tuning", only the programme channels in your Favourites list will be cleared.

2 Applications

Photo Frame Mode

Display Photo, Music and Clock calendar at the same time.

To enter Photo Frame Mode



- To exit Photo Frame mode: HOME

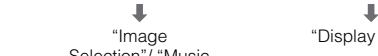
To add a current channel or external inputs into Favourites list



To select Photo/Music

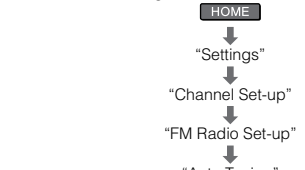


To select Display Mode

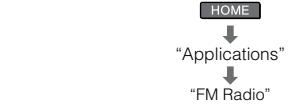


FM Radio

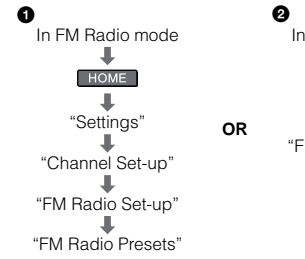
- For first time using FM Radio function:



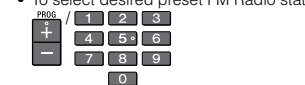
- To access FM Radio mode:



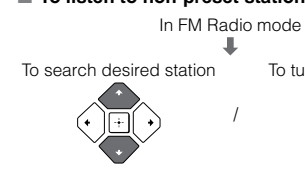
To listen to preset stations:



- To exit "Channel Set-up" menu: Press HOME
- To select desired preset FM Radio stations:



To listen to non-preset stations:



- If "Please set-up FM Radio" appears, perform "To listen to preset stations"

Media

Photo/Music/Video

Playback photo/music/video files via USB devices.



- While the TV is accessing the data on the USB device, do not turn off the TV or connected USB device, disconnect the USB cable, or remove the USB device.

- Sony will not be held liable for any damage to, or loss of, data on the recording media due to a malfunction of any connected devices or the TV.

- The file name and folder name may not display correctly in some cases.

- When you connect a Sony digital still camera, set the camera's USB connection mode to Auto or Mass Storage. For more information about USB connection mode, refer to the instructions supplied with your digital camera.

- Check the website below for updated information about compatible USB devices. <http://www.sony-asia.com/bravia/flash.html>

- Use a USB storage device that is compliant with USB mass storage device class standards.

Troubleshooting

Channels

Some channels are blank

- Channel is for scrambled/subscription service only. Subscribe to a pay TV service.
- Channel is used only for data (no picture or sound).
- Contact the broadcaster for transmission details.

General

The TV turns off automatically (the TV enters standby mode)

- Replace the batteries.
- Check if the "Idle TV Standby" is activated.
- Check if the "Sleep Timer" under the "Clock/Timers" menu is activated.

Some input sources cannot be selected

- Press [HOME] and select "Settings" → "Set-up" → "AV Set-up" → "Video Labels" and cancel "Skip" of the input source.

The remote control does not function

- Replace the batteries.

HDMI equipment does not appear on "HDMI Device Lists"

- Check that your equipment is compatible with the CEC Control Function.

The "Parental Lock" password has been forgotten

- Press [HOME] and select "Settings" → "Parental Lock" → "PIN code" then enter 9999 for the PIN code (PIN code 9999 is always accepted).

It took long time to open USB drive folders/files

- Depending on the quantity/size of folders/files, it may take longer time to open.

Distorted picture (dotted lines or stripes)

- Keep the TV away from electrical noise sources such as cars, motorcycles, hair-dryers or optional equipment.
- When installing optional equipment, leave some space between the optional equipment and the TV.
- Check the antenna/cable connection.
- Keep the antenna/cable away from other connecting cables.

Picture or sound noise when viewing a TV channel

- Adjust "AF" (Automatic Fine Tuning) under the "Manual Programme Preset" menu to obtain better picture reception.

Tiny black points and/or bright points appear on the screen

- The screen is composed of pixels. This is not a malfunction.

Picture contours are distorted

- Change the current setting of "Cinema Drive" to other settings.

No colour on programmes

- Select "Reset".

Sound

No sound, but good picture

- Press <+>/- or <Mute>.
- Check if the "Speakers" is set to "TV Speakers".

No sound or noisy sound

- Check if the TV system setting under the "Manual Programme Preset" menu is appropriate.

USB Video format

- If more than one USB detected: <red> → "Device Selection".
- If you connect the USB device when "USB Auto Start" is set to "On", the thumbnail view of photo/music/video appears automatically.

To adjust the picture and sound setting (Video)

- To exit "Photo Frame Mode": Press [HOME]

To reduce power consumption in FM Radio

- To exit from "Picture Off": Any key except [HOME]
- To exit FM Radio mode: Press [HOME]
- If the station has a noisy sound, press <+> to improve the sound quality.

To play a photo as slideshow (Photo)

- While the TV is accessing the data on the USB device, do not turn off the TV or connected USB device, disconnect the USB cable, or remove the USB device.
- Sony will not be held liable for any damage to, or loss of, data on the recording media due to a malfunction of any connected devices or the TV.
- The file name and folder name may not display correctly in some cases.
- When you connect a Sony digital still camera, set the camera's USB connection mode to Auto or Mass Storage. For more information about USB connection mode, refer to the instructions supplied with your digital camera.
- Check the website below for updated information about compatible USB devices. <http://www.sony-asia.com/bravia/flash.html>
- Use a USB storage device that is compliant with USB mass storage device class standards.

To stop slideshow: "Stop Slideshow"

- While the TV is accessing the data on the USB device, do not turn off the TV or connected USB device, disconnect the USB cable, or remove the USB device.

- Sony will not be held liable for any damage to, or loss of, data on the recording media due to a malfunction of any connected devices or the TV.

- The file name and folder name may not display correctly in some cases.

- When you connect a Sony digital still camera, set the camera's USB connection mode to Auto or Mass Storage. For more information about USB connection mode, refer to the instructions supplied with your digital camera.

- Check the website below for updated information about compatible USB devices. <http://www.sony-asia.com/bravia/flash.html>

- Use a USB storage device that is compliant with USB mass storage device class standards.

USB Music format

Extension	Audio Codec
.mp3	MPEG1 Audio Layer 3
.wma	WMA V8
.wav	LPCM

USB Photo format

Extension	Image Codec
.jpg, .jpe, .jpeg	JPEG

DCF2.0 or EXIF2.21 supported.

- Depend on files construction limitation, some of files may not be played.
- The USB device supports FAT16, FAT32 and NTFS.

USB Video format

Extension	Container	Video Codec	Audio Codec
.avi	AVI	MPEG1 MPEG2 Xvid MPEG4 H.264 MJPEG	PCM AC3 MPEG1 Layer1/2 MPEG2 AAC MPEG4 AAC MPEG4 HE-AAC WMA V8 MP3
.wmv .asf	ASF	WMV9 Xvid MPEG4 VC-1	MP3 WMA V8
.mp4 .mov .3gp	MP4	MPEG4 H.264 H.263 MJPEG	MPEG1 Layer1/2 MP3 MPEG2 AAC MPEG4 AAC MPEG HE-AAC WMA V8
.mkv	MKV	WMV9 MPEG4 H.264 VC-1	MPEG1 Layer1/2 MP3 MPEG2 AAC MPEG4 AAC MPEG HE-AAC WMA V8
.mpg mpeg .vob .vro	MPEG1	MPEG1	MPEG1 Layer1/2 MP3 AC3
	MPEG2PS	MPEG1 MPEG2	MPEG1 Layer1/2 MP3 AC3
.is .mts	MPEG2TS	MPEG2 H.264 VC-1	MPEG1 Layer1/2 MP3 MPEG2 AAC MPEG4 HE-AAC AC3 MPEG4 AAC

USB Music format

Extension	Audio Codec
.mp3	MPEG1 Audio Layer 3
.wma	WMA V8
.wav	LPCM

USB Photo format

Extension	Image Codec
.jpg, .jpe, .jpeg	JPEG

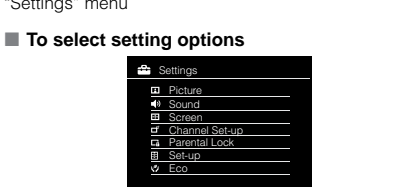
DCF2.0 or EXIF2.21 supported.

- Depend on files construction limitation, some of files may not be played.
- The USB device supports FAT16, FAT32 and NTFS.

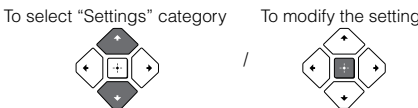
Settings

You are able to change the settings of your TV from "Settings" menu

To select setting options



To select "Settings" category / To modify the setting



- To exit the setting mode: Press [HOME]
- The options you can adjust vary depending on the situation. Unavailable options are greyed out or not displayed.

Picture

Sets a picture mode.

Reset

Resets all the "Picture" settings to factory settings, except "Picture Mode" and "Intelligent Picture Plus Set-up".

Adjusts the brightness of the backlight.

Brightness

Increases or decreases picture contrast.

Colour

Brightens or darkens the picture. Increases or decreases colour intensity.

Hue

Increases or decreases the green tones and red tones.

Sharpness

Sharpens or blurs the picture.

Colour Temperature

Adjusts the whiteness of the picture.

Noise Reduction

Reduces the picture noise (snowy picture) in a wide broadcast signal.

MPEG Noise Reduction

Reduces the picture noise in MPEG-compressed video.

Cinema Drive

Provides improved picture movement when playing BD (Blu-ray Disc™), DVD or VCR images taken in film, reducing picture blur and graininess.

- If the image contains irregular signals or too much noise, "Cinema Drive" is automatically turned off even if "Auto" is selected.

Advanced Settings

Set "Picture" settings in more detail.

Intelligent Picture Plus Set-up

Enhances picture quality according to preferred settings, channel or video input.

Sound

Sound Mode

Sets a sound mode.

Reset

Resets all the "Sound" settings to factory settings, except "Sound Mode", "Dual Sound", "Speakers" and "Audio Out".

Treble

Adjust the treble level

Bass

Adjust the bass level

Sound Booster

Produces a fuller sound for more impact, by emphasising the bass sounds.

Simulated Stereo

Adds a surround-like effect to mono programmes.

Intelligent Volume

Minimizes the difference in volume level between all programmes and adverts.

Balance

Emphasises left or right speaker balance.

Volume Offset

Adjusts the volume level of the current input relative to other inputs.

Dual Sound

Sets the sound from speaker for a stereo or bilingual broadcast.

- If the stereo sound is noisy when receiving a NICAM programme, select "Mono". The sound becomes monaural, but the noise is reduced.
- If you select other equipment connected to the TV set, "Dual Sound" to "Stereo", "Main" or "Sub". However, when the external equipment connected to the HDMI jack is selected, this is fixed to "Stereo".

Speakers

Selects sound output from TV speakers or external audio equipment.

Audio Out

"Variable": Volume output from audio out can be controlled using the TV's remote.

"Fixed": The audio output of the TV is fixed.

- When the input source is set to "Headphone" in the "Headphone/Audio Out" under the "AV Set-up" menu, "Audio Out" is not available in the list.

Screen

Wide Mode

Refer (To change the Wide Mode).

Auto Wide

Automatically changes the wide mode according to the input signal from an external equipment. To keep your picture blur and graininess.

- Even if "Auto Wide" is set to "On" or "Off", you can always modify the format of the screen by pressing [Screen] repeatedly.

4:3 Default

Selects the default screen by pressing [Screen] with 4:3 broadcasts.

Auto Display Area

Selects "On" to automatically adjusts the display area based upon the content or "Off" to choose from the "Display Area" options.

Display Area

Adjusts the picture display area.

Horizontal Shift

Adjusts the horizontal position of the picture when "Wide Mode" is set to "Wide Zoom" or "Zoom".

Vertical Shift

Adjusts the vertical position of the picture when "Wide Mode" is set to "Wide Zoom" or "Zoom".

PC Settings

Selects screen mode or adjusts the display position of the picture when the TV receives an input signal from the connected HDMI PC or PC.

PC input signal reference chart for HDMI IN 1, 2

Signals	Horizontal (Pixel)	Vertical (Line)	Horizontal (MHz)	Vertical (MHz)	Standard
VGA	640	480	31.5	60	VGA
SVGA	800	600	37.9	60	VESA Guidelines
XGA	1024	768	48.4	60	VESA Guidelines
WXGA	1280	768	47.4	60	VESA
WXGA	1280	768	47.8	60	VESA
WXGA	1360	768	47.7	60	VESA
SXGA+	1280	1024	64	60	EIA
HDTV*	1920	1080	67.5	60	VESA

* KLV-40R252G only

- This TV's PC input does not support Sync on Green/Composite Signal and interlaced signal.
- This TV's PC input supports signals in the above chart with a 60 Hz vertical frequency.

Channel Set-up

1 Digit Direct

When "1 Digit Direct" is set to "On", select a channel using one preset number button (0 - 9) on the remote.

- When "1 Digit Direct" is set to "On", you cannot select channel numbers 10 and above entering next digit using the remote.

Auto Tuning

Tunes in all the available channels.

Programme Sorting

Changes the order in which the channels are stored on the TV.

Programme Labels

Assigns a channel name of your choice up to seven letters or numbers.

Manual Programme Preset

Sets programme channels manually.

- In "Audio Filter", you cannot receive stereo or dual sound when "High" is selected.

FM Radio Set-up

Preset up to 30 FM radio stations that can be received in your area.

Parental Lock

Sets up TV to block channel or external input. Use 0-9 on the remote to enter a four-digit PIN code.

Change PIN Code

Selects to change your PIN code.

Programme Block

Blocks an individual channel from being watched. To view a blocked channel, select "Unblocked".

External Input Lock

Locks an external input from being watched. To view a blocked external input, select "Unblocked".

Specifications

System

Panel system
LCD (Liquid Crystal Display) Panel

TV system
E.G. 1, D.K, M

Colour/video system
PAL, PAL60, SECAM, NTSC4.43, NTSC3.58

Channel Coverage
Analogue: UHF/VHF/Cable, depending on your country/area selection.

Sound output
10 W + 10 W

Input/output jacks

Antenna (aerial) cable
75 ohm external terminal for VHF/UHF

COMPONENT IN-OUT AUDIO
YPbPr (Component Video): 1080p (50, 60 Hz), 1080i (50, 60 Hz), 720p (50, 60 Hz), 576p, 576i, 480p, 480i
Audio input (phono jacks)

VIDEO IN
Video input (common phono pin with Y input)

HDMI IN 1, 2
Video: 1080p (24, 30, 50, 60 Hz), 1080i (50, 60 Hz), 720p (24, 30, 50, 60 Hz), 576p, 576i, 480p, 480i, PC Formats
PC Input: (Resolution) (Horizontal/vertical, Vertical frequency)
640 × 480, 31.5 kHz, 60 Hz
800 × 600, 37.9 kHz, 60 Hz
1024 × 768, 48.4 kHz, 60 Hz
1280 × 768, 47.8 kHz, 60 Hz
1360 × 768, 47.7 kHz, 60 Hz
1280 × 1024, 64 kHz, 60 Hz
* 1920 × 1080, 67.5 kHz, 60 Hz
* KLV-40R252G only
Audio: Two channel linear PCM: 32, 44.1 and 48 kHz, 16, 20 and 24 bits, Dolby Digital

PC IN
PC input (D-sub 15-pin)
G: 0.7 Vp-p, 75 ohms/fR, 0.7 Vp-p, 75 ohms/fD, 1-5 Vp-p/pVD: 1-5 Vp-p

PC / HDMI AUDIO IN
PC audio input (mini jack)

AUDIO OUT
Audio output (stereo minijack)
Headphones jack

DC IN 19.5 V ⎓ Ⓡ Ⓢ
AC adapter input

Power Saving

Reduces power consumption of the TV by adjusting the backlight.

Idle TV Standby

Turns the TV off after it has been kept idle for the preset length of time.

PC Power Management

Switches the TV to standby mode when the TV receives no signal from the PC input source for 30 seconds.

Power Saving

Reduces power consumption of the TV by adjusting the backlight.

Idle TV Standby

Turns the TV off after it has been kept idle for the preset length of time.

PC Power Management

Switches the TV to standby mode when the TV receives no signal from the PC input source for 30 seconds.

Power Saving

Reduces power consumption of the TV by adjusting the backlight.

Idle TV Standby

Turns the TV off after it has been kept idle for the preset length of time.