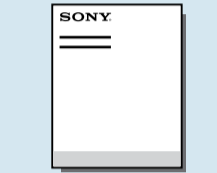
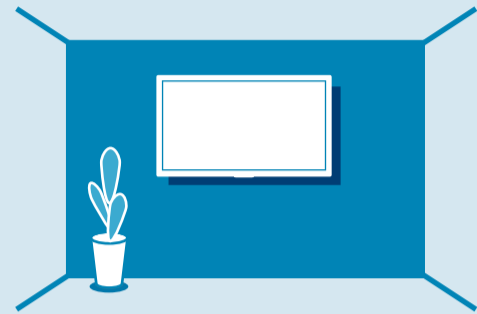
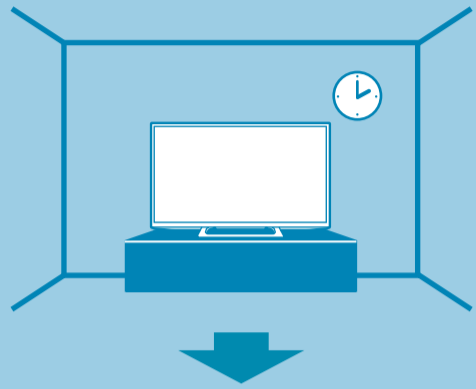
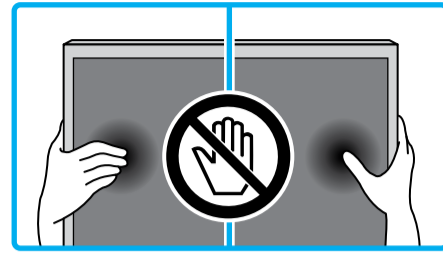




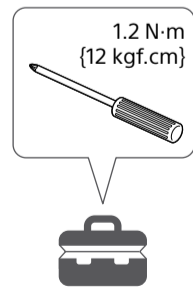
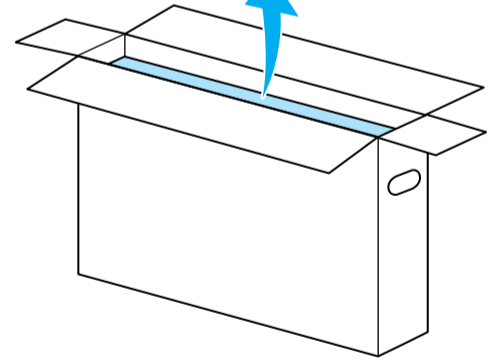
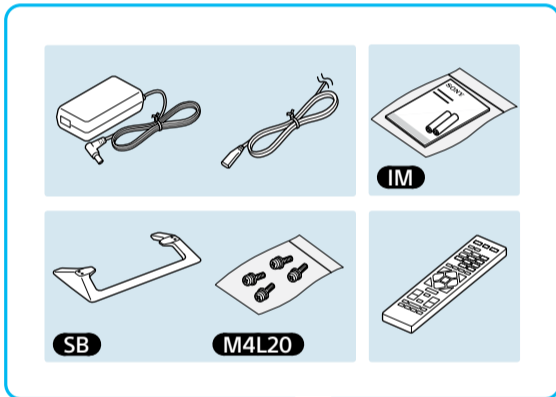
# Setup Guide



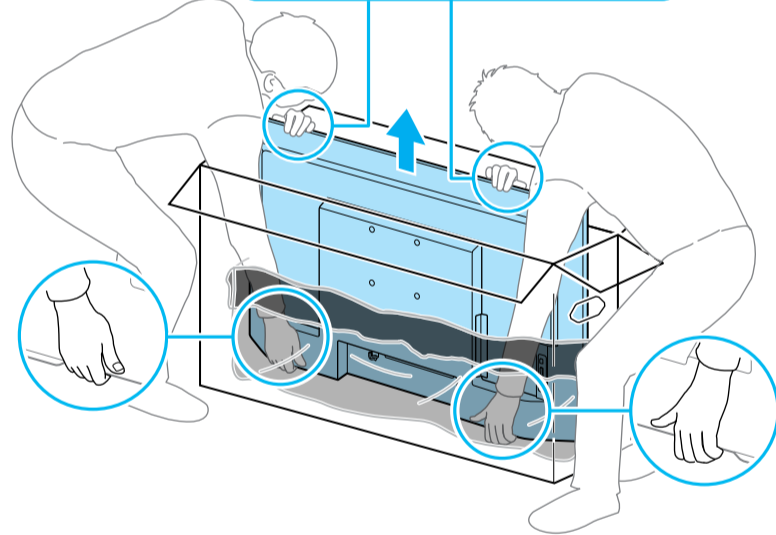
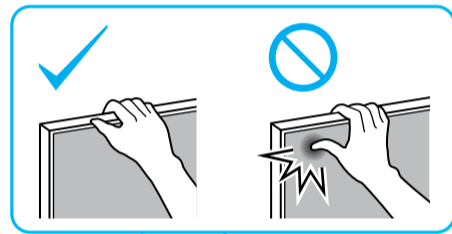
Operating Instructions

1

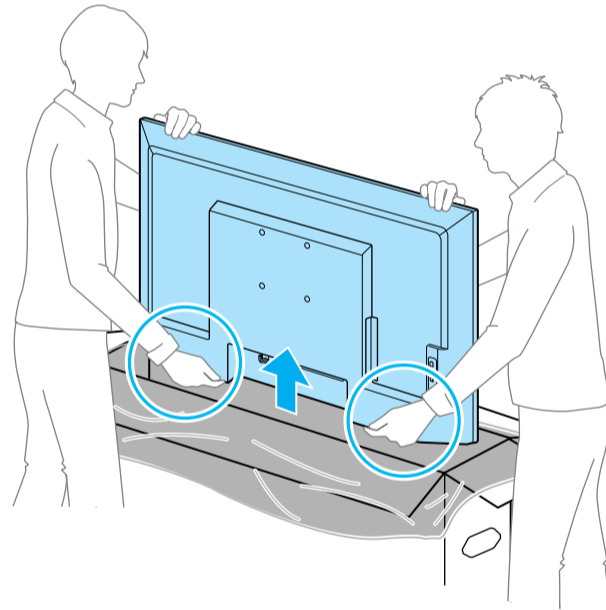
1



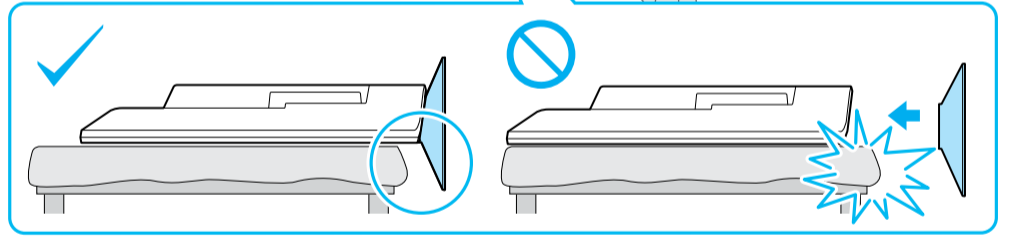
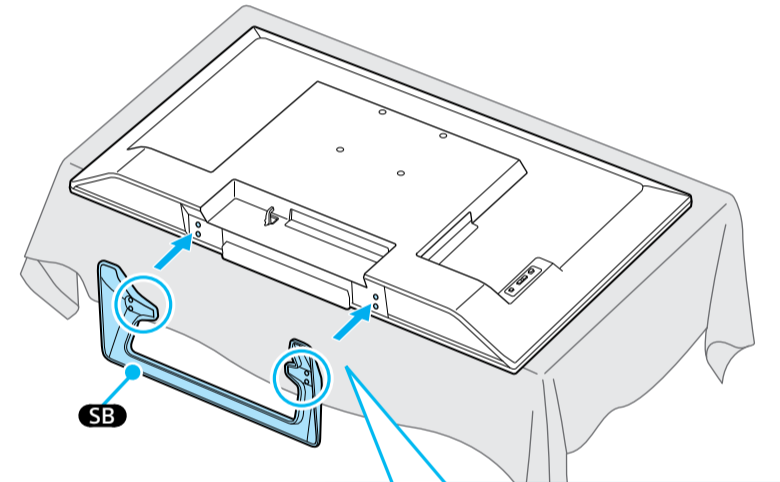
2



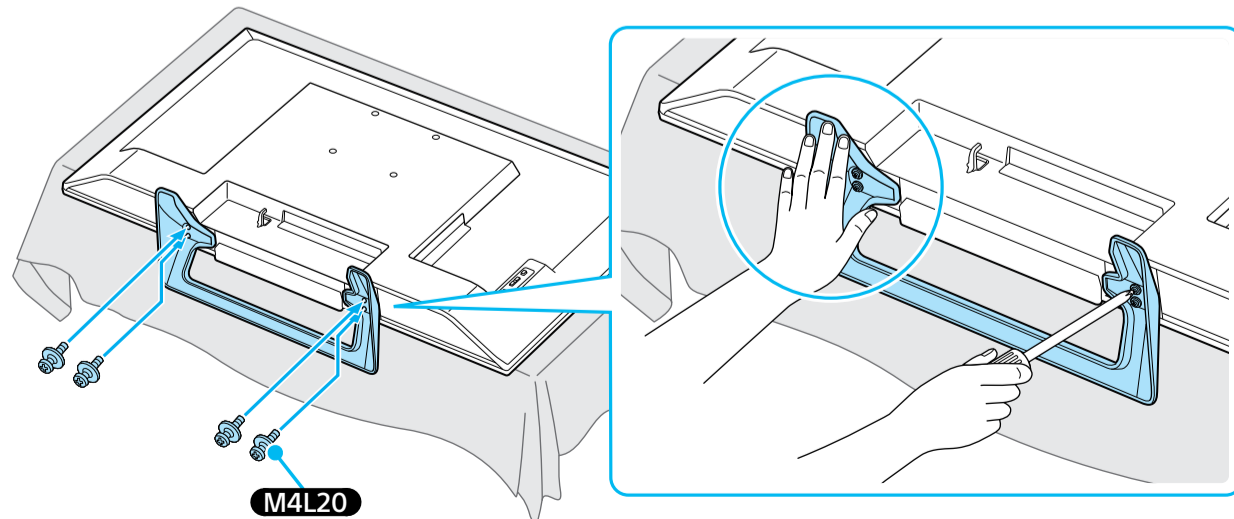
3



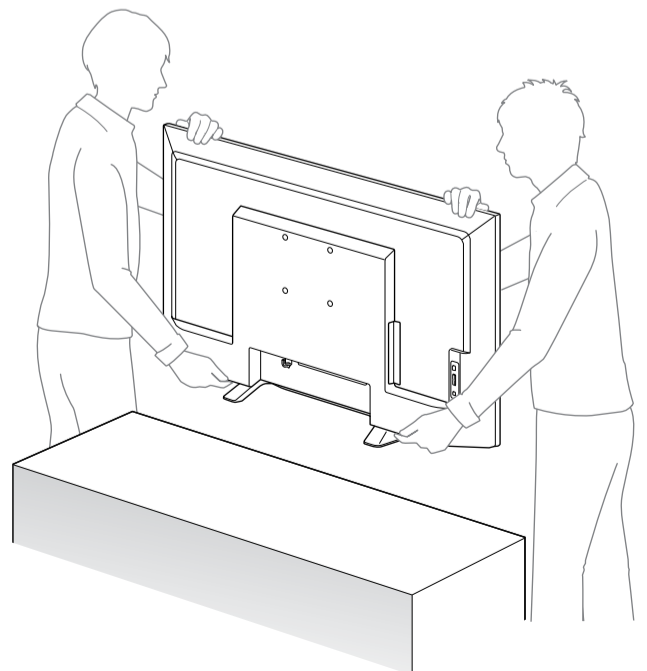
4



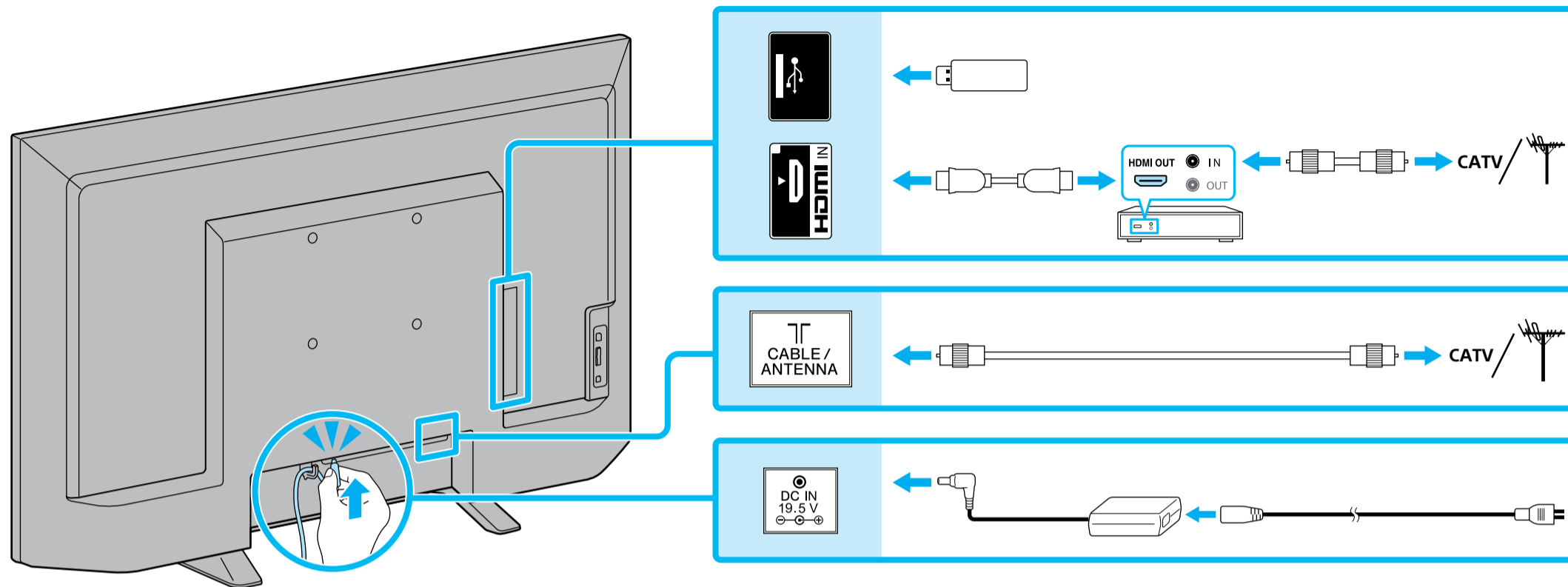
5



6



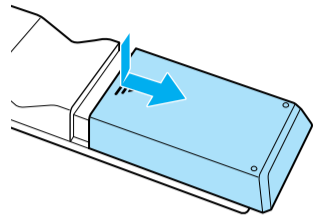
2



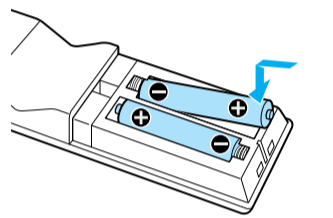
**Connections** Refer to "3: Connections" and "Viewing pictures from the connected equipment" in the Operating Instructions for additional connection information.

3

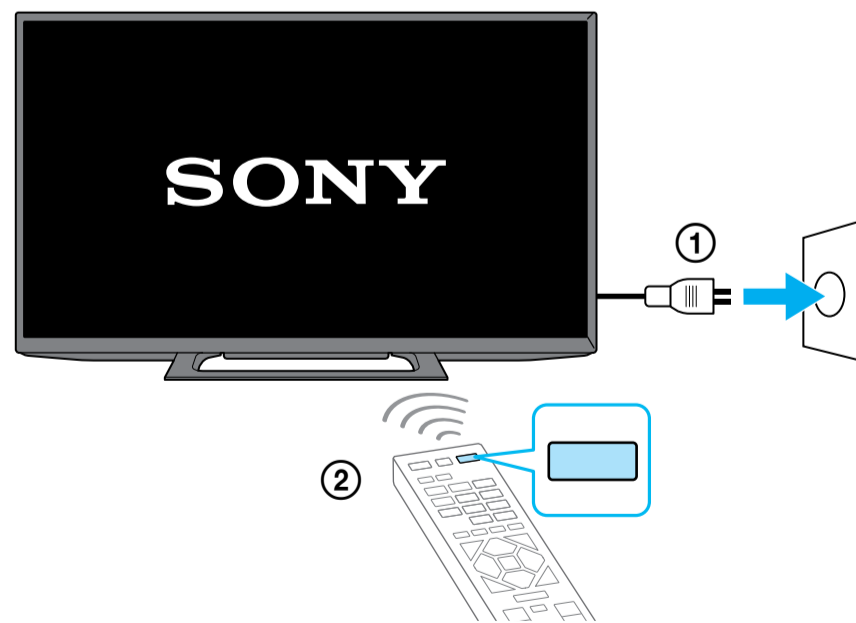
1



2



4



i



<http://www.sony.net/tv-how-to-videos>

Tips