

Wireless Speaker

Operating Instructions



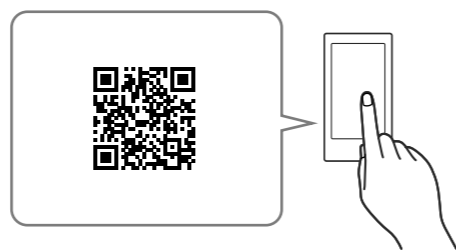
SRS-XB402G

©2019 Sony Corporation
Printed in China / Imprimé en Chine

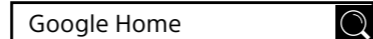
Getting Started

Do not charge in places where water may splash on the unit. The supplied AC adaptor and the connectors of this unit (USB/DC IN) are neither waterproof nor dust proof.

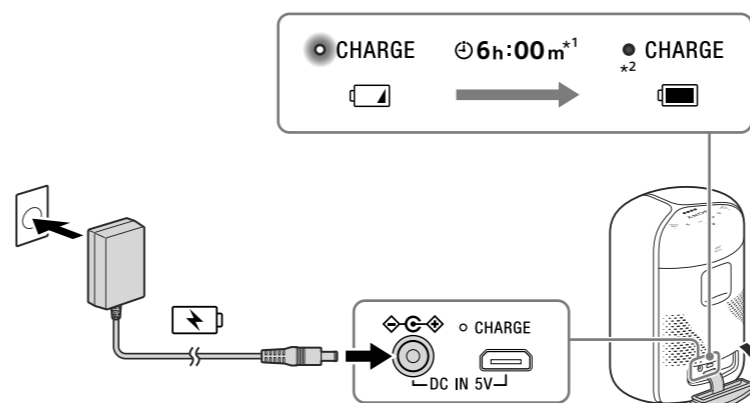
1 Install "Google Home."



<https://www.google.com/cast/setup/>

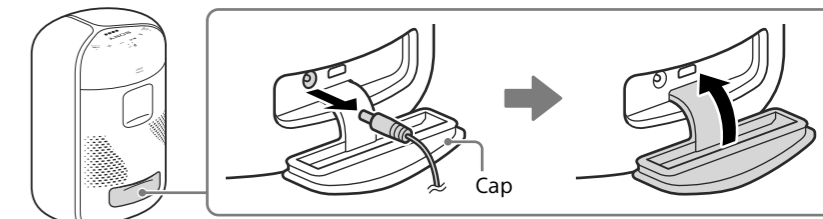


2 Charge the built-in battery for the first time.



3 Close the cap firmly.

The cap plays a very important role in maintenance of the waterproof performance.



*1 Time that is required to charge the empty built-in battery to its full capacity when the unit is turned off.

*2 If the built-in battery is fully charged when you connect the unit to an AC outlet, the CHARGE indicator lights up in orange then turns off after about 1 minute.

Setup

1 Place the unit as close as possible to a wireless LAN router.

- ① Establish a wireless connection from your smartphone/iPhone to the wireless LAN router.
- ② Take a note of the SSID and the password (encryption key) of the connected wireless LAN router.
Some of the wireless LAN routers have multiple SSIDs.
For details, refer to the operating instructions supplied with the wireless LAN router.
- ③ On the iPhone*, activate the BLUETOOTH® function.

* "Google Home" uses the BLUETOOTH function to identify the unit.

2 Set up Wi-Fi® with app.

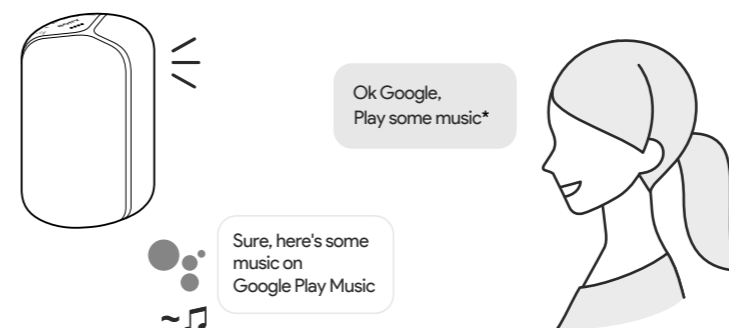
- ① Turn on the unit.
- ② Tap to start "Google Home."
- ③ Follow the directions in the app to set up your unit for Wi-Fi. Set the unit to the smartphone/iPhone's same Wi-Fi connection.



How to use

Talk to your Google Assistant.

You can start conversation simply by saying "Ok Google" or by pressing and holding the play button for about 3 seconds.



Volume Operations

Say a voice command to set the volume to your desired level.

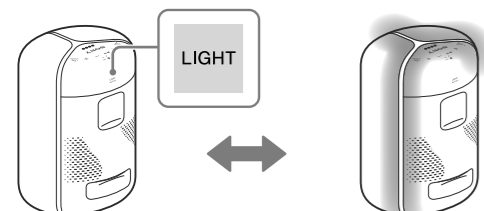
* Visit the following website for the latest voice commands;
assistant.google.com/intl/en_us/ (USA)
assistant.google.com/intl/en_ca/ (Canada)

Lighting

Changing the lighting mode

Each time you press the LIGHT button/ BATTERY button, the Lighting changes in 9 modes*: RAVE, CHILL, RANDOM FLASH OFF, HOT, COOL, STROBE, CALM CYAN, CALM DAYLIGHT and OFF.

* "Sony | Music Center" enables you to check the Lighting mode name and to switch the mode.
For details, refer to the Help Guide.

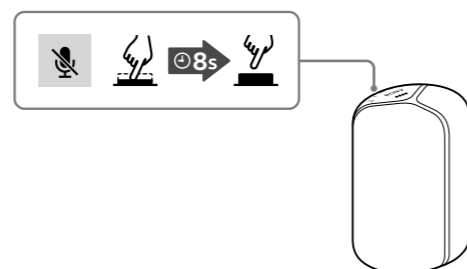


FAQ

Do you want to reset* the unit?

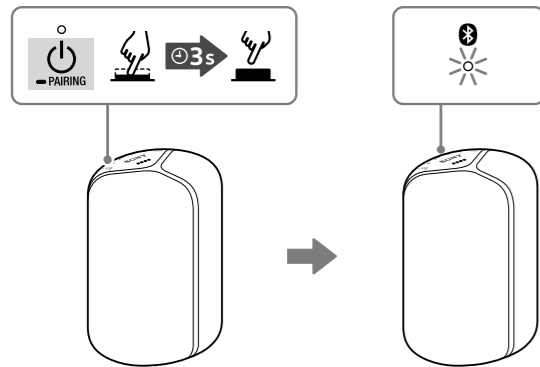
Press and hold the microphone mute button for about 8 seconds.

* The information including the Google Assistant settings will be retained.

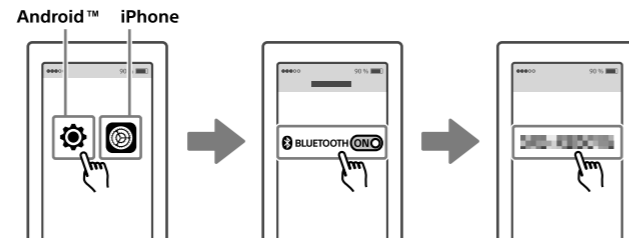


You can also use as a BLUETOOTH speaker

- 1** After the Wi-Fi setup is complete, press and hold the (power)/ PAIRING button for about 3 seconds. The (BLUETOOTH) indicator flashes in blue for 5 seconds and the unit is placed in pairing mode.

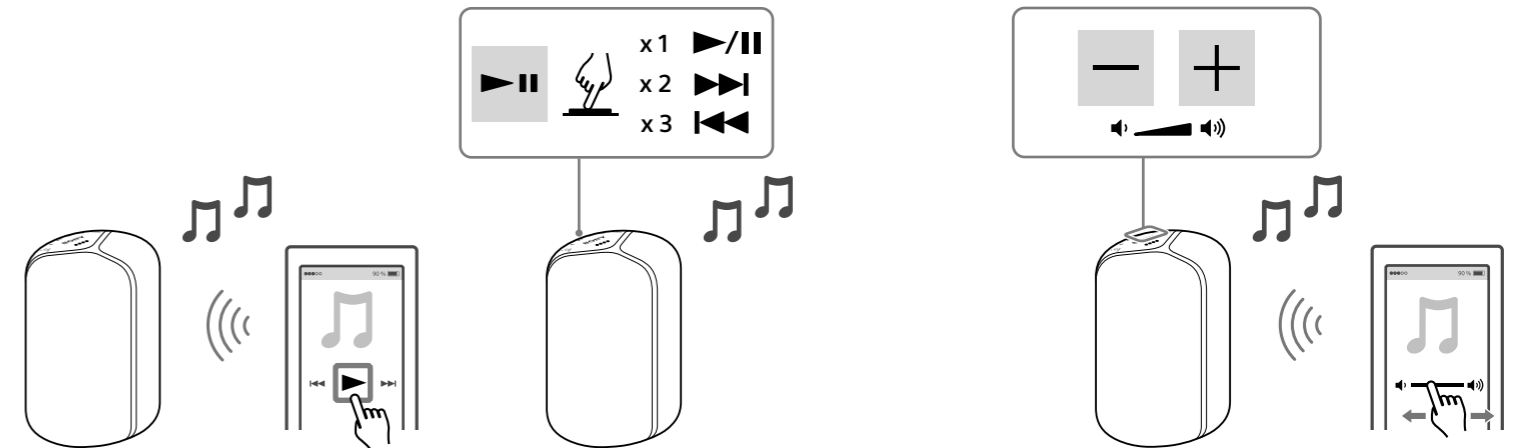


- 2** Establish a BLUETOOTH pairing. From your smartphone or other device's BLUETOOTH settings, find and select the name of the unit you set up for Wi-Fi. The unit beeps to indicate that the BLUETOOTH pairing is complete and a BLUETOOTH connection is established.



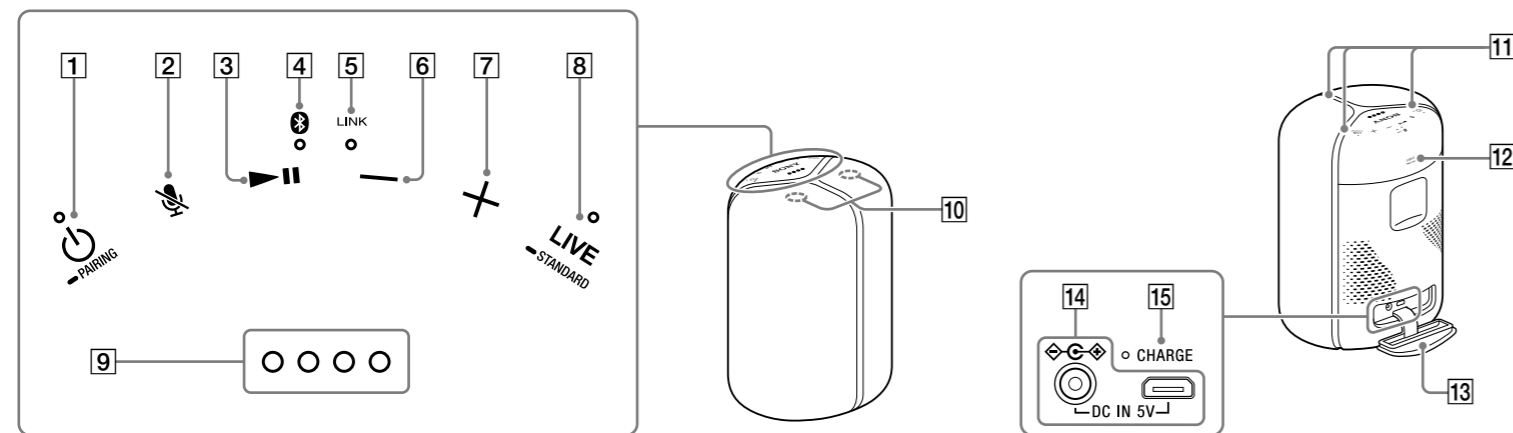
- 3** Start playback.

Do your desired operation.



Adjust the volume.

Parts and Controls



1 (power) button with indicator/
- PAIRING button*1

2 (microphone mute) button

3 (play) button

4 (BLUETOOTH) indicator

5 LINK indicator

6 - (volume) button

7 + (volume) button

8 LIVE button with indicator/
- STANDARD button

9 Status indicators*2
(Google Assistant)

10 Built-in microphones

11 Lighting

12 LIGHT button/ - BATTERY button

13 Cap

14 DC IN 5V jack

15 CHARGE indicator

*1 The PAIRING button is disabled before the Google Assistant setup is complete.

*2 These indicators show the status of the volume and battery level.

"Sony | Music Center"

Download App for Android/iPhone



<https://www.sony.net/smcapp/>

Operations that can be performed on the unit with "Sony | Music Center."

- Sound quality setting and equalizer adjustment
- Lighting setting (switching the lighting mode)

Help Guide

Web document for a PC/smartphone



http://rd1.sony.net/help/speaker/srs-xb402g/h_zz/

