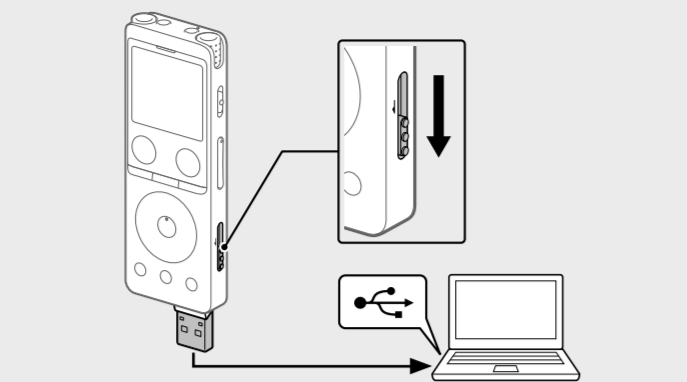


IC Recorder
Operating Instructions

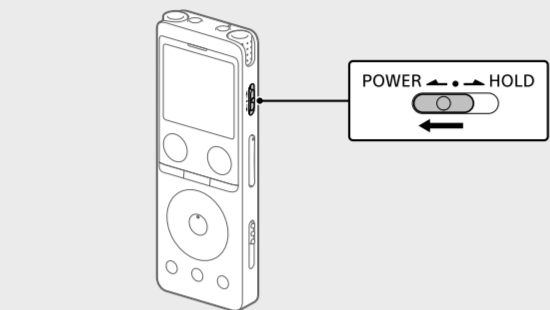
Let's try out your new IC recorder

Charge



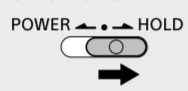
- Charge the IC recorder.**
Slide the USB slide lever in the direction of the arrow, and insert the USB connector into the USB port of a running computer. When the battery is fully charged, the battery indicator changes from the charging animation to **100%**.
- Disconnect the IC recorder.**
Make sure that the message "Accessing" is no longer on the display window. Then refer to the Help Guide to remove the IC recorder safely.

Power on



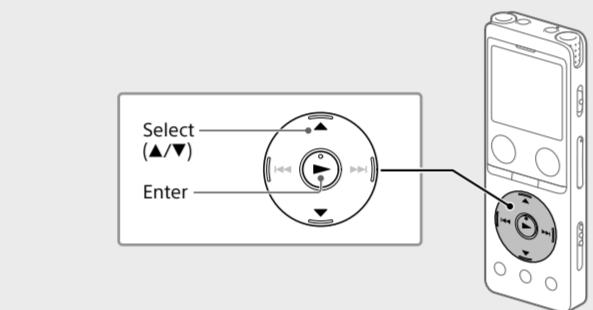
Slide and hold the **POWER+HOLD** switch in the direction of "POWER" until the window display appears.
To turn the power off, slide the **POWER+HOLD** switch to "POWER" and hold it until "Power Off" appears on the display window.

To prevent unintentional operations (HOLD)
Slide the **POWER+HOLD** switch in the direction of "HOLD."



To release the IC recorder from the HOLD status, slide the **POWER+HOLD** switch towards the center.

Initial settings

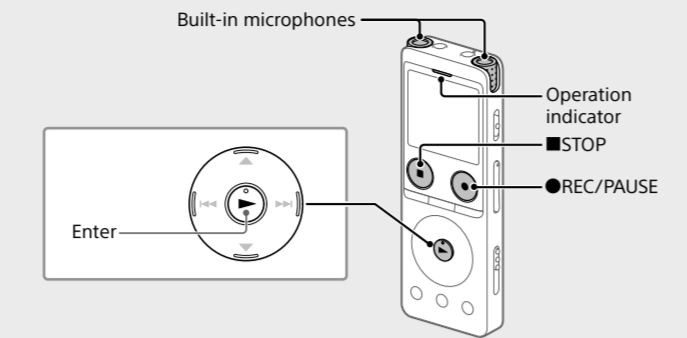


When you power on your IC recorder for the first time, the "Configure Initial Settings" screen appears on the display window. You can then select the display language, set the clock, and turn on/off the beep sound.

- Press **▶** to start the initial settings.
- Select the display language.
You can select from the following languages:
Deutsch (German), English, Español (Spanish), Français (French), Italiano (Italian), Русский (Russian), Türkçe (Turkish), 한국어 (Korean), 简体中文 (Simplified Chinese), 繁體中文 (Traditional Chinese)
* Default setting
- Set the current year, month, day, hour, and minute.
- Select "Next."
- Select "ON" or "OFF" to turn on or off the beep sound.
When the initial settings finish, the completion message and then the HOME menu screen appear.

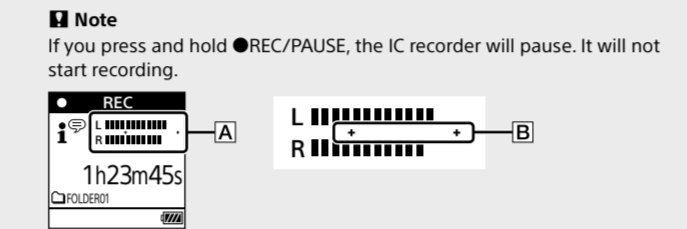
- Notes**
 - If you take 30 seconds or longer before proceeding to the next step, the display window will turn off. To turn on the display window for continuing the initial settings, press **BACK/HOME**.
 - You can change any of the initial settings at any time later. For detailed instructions, refer to the Help Guide.

Record



- Before you start recording, make sure that the HOLD status is released.
- You can select a recording scene for each situation by selecting "Scene Select" in the OPTION menu.

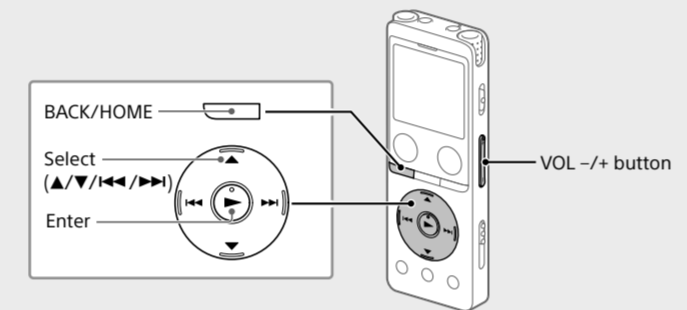
- Select **REC** from the HOME menu.
The recording standby screen appears.
- Select a storage and a folder to save the recorded file.
To save the recorded file on the microSD card, you need to change the file storage destination folder. Select "Recording Folder" - "SD Card" from the OPTION menu, and then start recording.
- Turn the IC recorder so that its built-in microphones point in the direction of the target sound source.
- Press **REC/PAUSE**.
"REC" appears on the display window to indicate that recording has started, and the operation indicator lights in red.



The recording level guide (A) is displayed while recording. The section between + and + (B) is the optimal input level for recording. Please adjust the orientation of the built-in microphones, the distance from the sound source, the microphones' sensitivity setting, or the "Scene Select" setting so that the recording level fits within the optimal range, as illustrated.

- Press **STOP** to stop recording.
"Saving..." and then recording standby screen appear on the display window.

Listen



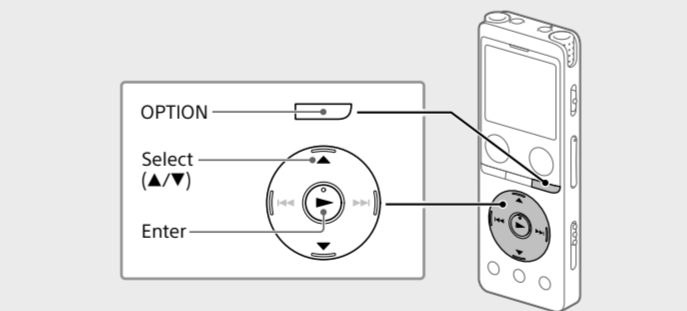
- Select **Recorded Files** from the HOME menu.
- Select "Latest Recording," "Search by REC Date," "Search by REC Scene," or "Folders."
- Select your desired file.
Playback starts and the operation indicator lights in green.
- Press **VOL +** or **VOL -** to adjust the volume.
- Press **STOP** to stop playback.

Right after you stopped recording, you can press **▶** to play the file you have just recorded.

To add a track mark
You can add a track mark at a point at which you want to divide a file later or locate during playback. You can add a maximum of 98 track marks to each file.
You can also add track marks during recording.

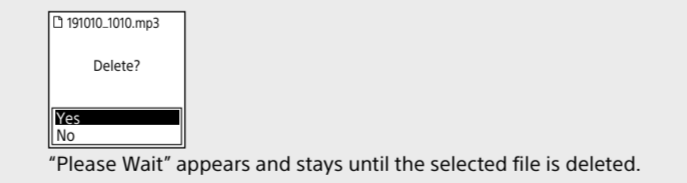
- Locating the desired playback point quickly (Time Jump, Easy Search)**
 - Using the time jump function allows you to move to any of the 10 points throughout the total duration of a file. You can use this function with **◀** or **▶** in the time jump mode.
 - Using the easy search function allows you to forward or reverse a fixed number of seconds (10 seconds for forwarding, 3 seconds for reversing) during playback.

Delete



- Notes**
 - Once a file is deleted, you cannot restore it.

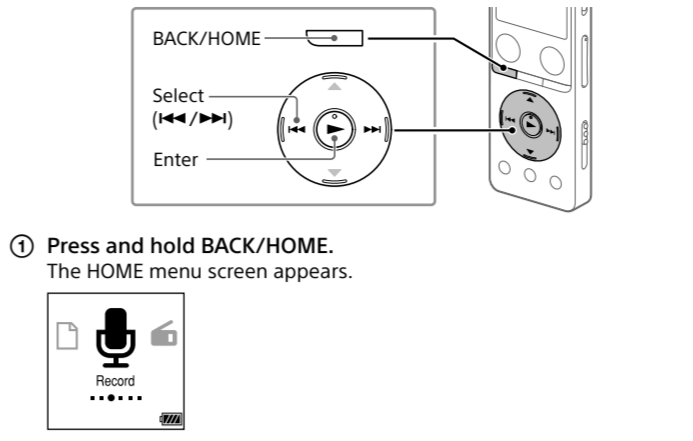
- Select the file you want to delete from the list of recorded files or play back the file you want to delete.
- Select "Delete File" from the OPTION menu.
- Select "Yes."



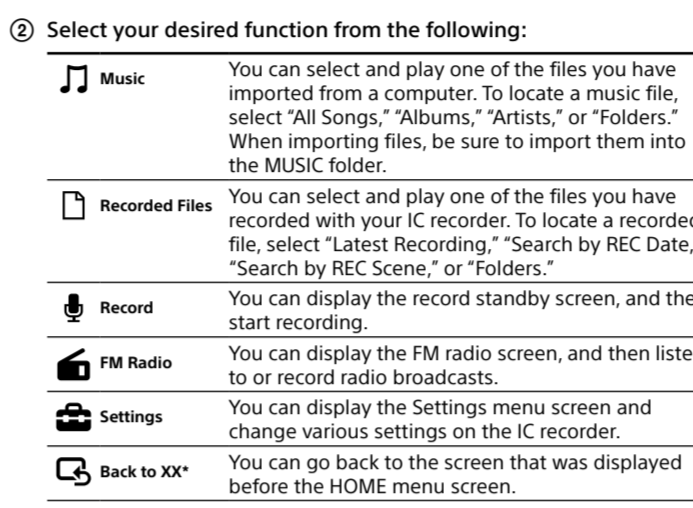
"Please Wait" appears and stays until the selected file is deleted.

Using the HOME menu

You can use the HOME menu for a variety of operations, including locating and playing a recorded file and changing the settings of your IC recorder.



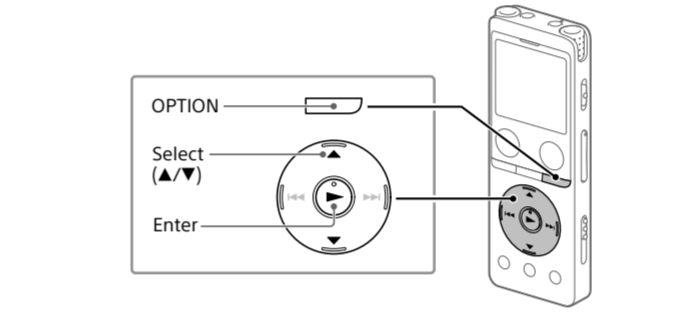
- Press and hold **BACK/HOME**.
The HOME menu screen appears.



The HOME menu items are aligned in the following sequence.
Press **STOP** to return to the screen displayed before you entered the HOME menu.

Using the OPTION menu

You can use the OPTION menu to perform a variety of functions, including changing the settings of your IC recorder. The available items differ depending on the situation.

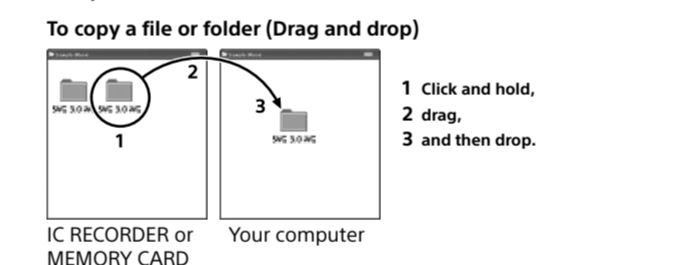


- Select your desired function from the HOME menu, and then press **OPTION**.
- Select the menu item for which you want to change the setting.
- Select your desired setting option.

Copying files from your IC recorder to a computer

You can copy the files and folders from your IC recorder to a computer to store them.

- Follow the instructions in "Charge" to connect your IC recorder to a computer.
- Drag and drop the files or folders you want to copy from "IC RECORDER" or "MEMORY CARD" to the local disk on the computer.



- Disconnect your IC recorder from the computer.

Installing Sound Organizer 2

Install Sound Organizer on your computer. Sound Organizer allows you to exchange files between your IC recorder and your computer. Songs imported from music CDs and other media, MP3 and other audio files imported to a computer can also be played and transferred to the IC recorder.

- Notes**
 - Sound Organizer is compatible with Windows computers only. It is not compatible with Mac.
 - This IC recorder is compatible with Sound Organizer 2 only.
 - If you format the built-in memory, all data stored there will be deleted. (The Sound Organizer software installer will also be deleted.)

- When installing Sound Organizer, log in to an account with administrator privileges.
- The installation procedure varies depending on the Windows version. The following procedure uses Windows 10 as an example.

- Follow the instructions in "Charge" to connect your IC recorder to a computer.
- Make sure the IC recorder is successfully detected by the computer.
"Connecting" appears and stays on the IC recorder's display window while the IC recorder is connected to the computer.
- Right-click at the bottom left corner of the desktop, and then click [File Explorer] on the menu.
- Double-click [IC RECORDER] - [FOR WINDOWS].
- Double-click [SoundOrganizer_V2002] (or [SoundOrganizer_V2002.exe]).
Follow the computer's on-screen instructions.
- When the [Welcome to Sound Organizer 2 Installer] window appears, click [Next].
- Make sure that you accept the terms of the license agreement, select [I accept the terms in the license agreement], and then click [Next].
- When the [Setup Type] window appears, select [Standard] or [Custom], and then click [Next].
Follow the instructions on the screen and set the installation settings when you select [Custom].
- When the [Ready to Install the Program] window appears, click [Install].
The installation starts.
- When the [Sound Organizer 2 has been installed successfully.] window appears, check [Launch Sound Organizer 2 Now], and then click [Finish].

- Notes**
 - You may need to restart your computer after installing Sound Organizer 2.

Precautions

On power
DC 3.7V : the built-in rechargeable lithium-ion battery
DC 5.0V : when charged using USB
Rated current consumption : 500mA

- On handling**
 - Do not leave the unit in a location near heat sources, or in a place subject to direct sunlight, excessive dust or mechanical shock.
 - Should any solid object or liquid fall into the unit, remove the battery and have the unit checked by qualified personnel before operating it any further.
- When using your IC recorder, remember to follow the precautions below in order to avoid warping the cabinet or causing the IC recorder to malfunction.
 - Do not sit down with the IC recorder in your back pocket.
 - Do not put your IC recorder into a bag with the headphones/earphones cord wrapped around it and subject the bag to strong impact.
- Be careful not to allow water to splash on the unit. The unit is not waterproof. In particular, be careful in the following situations.
 - When you have the unit in your pocket and go to the bathroom, etc. When you bend down, the unit may drop into the water and may get wet.
 - When you use the unit in an environment where the unit is exposed to rain, snow, or humidity.
 - In circumstances where you get sweaty. If you touch the unit with wet hands or if you put the unit in the pocket of sweaty clothes, the unit may get wet.
- Listening with this unit at high volume may affect your hearing.
 - For traffic safety, do not use this unit while driving or cycling.
 - Do not use this unit at a place where the inability to hear surrounding sounds may present a danger.
- You may feel pain in your ears if you use the headphones when the ambient air is very dry.
 - This is not because of a malfunction of the headphones, but because of static electricity accumulated in your body. You can reduce static electricity by wearing non-synthetic clothes that prevent the emergence of static electricity.
 - Do not place this product close to medical devices. This product (including accessories) has magnet(s) which may interfere with pacemakers, programmable shunt valves for hydrocephalus treatment, or other medical devices. Do not place this product close to persons who use such medical devices. Consult your doctor before using this product if you use any such medical device.

- On noise**
 - Noise may be heard when the unit is placed near an AC power source, a fluorescent lamp or a mobile phone during recording or playback.
 - Noise may be recorded when an object, such as your finger, etc., rubs or scratches the unit during recording.
- On maintenance**
To clean the exterior, use a soft cloth slightly moistened in water. Then use a soft dry cloth to wipe the exterior. Do not use alcohol, benzine or thinner.

If you have any questions or problems concerning your unit, please consult your nearest Sony dealer.

WARNING

- Do not expose the batteries (battery pack or batteries installed) to excessive heat such as sunshine, fire or the like for a long time.
- Do not subject the batteries to extreme low temperature conditions that may result in overheating and thermal runaway.
- Do not dismantle, open or shred secondary cells or batteries.
- In the event of a cell leaking, do not allow the liquid to come in contact with the skin or eyes. If contact has been made, wash the affected area with copious amounts of water and seek medical advice.
- Do not use any charger other than that specifically provided for use with the equipment.
- Secondary cells and batteries need to be charged before use. Always use the correct charger and refer to the manufacturer's instructions or equipment manual for proper charging instructions.
- After extended periods of storage, it may be necessary to charge and discharge the cells or batteries several times to obtain maximum performance.
- Dispose of properly.

CAUTION

- Risk of explosion if battery is replaced by an incorrect type. Dispose of used batteries according to the instructions.
- This equipment has been tested and found to comply with the limits set out in the EMC regulation using a connection cable shorter than 3 meters.

Notice for users

- All rights reserved. This manual or the software described herein, in whole or in part, may not be reproduced, translated or reduced to any machine readable form without prior written approval from Sony Corporation.
- What you record is for personal enjoyment and use only. Copyright laws prohibit other forms of use without the permission of the copyright holders.

Specifications

Capacity (User available capacity)¹⁾²⁾
4 GB (approx. 3.20 GB = 3,435,973,837 Byte)

Maximum recording time³⁾⁴⁾ (Built-in memory)
The maximum recording time of all the folders is as follows.

Recording mode	Recording (while monitoring)	Recording FM radio broadcasts
LPCM 44.1 kHz/16 bit (STEREO)	5 hours 20 minutes	-
MP3 192 kbps (STEREO)	39 hours 45 minutes	-
MP3 128 kbps (STEREO)	59 hours	-
MP3 48 kbps (MONO)	159 hours	-

Battery Life (a built-in rechargeable lithium-ion battery)⁴⁾
The battery life spans provided here are all approximate periods of time.

Recording mode	Recording	Recording (while monitoring)	Recording FM radio broadcasts
LPCM 44.1 kHz/16 bit (STEREO)	20 hours	12 hours	-
MP3 192 kbps (STEREO)	22 hours	13 hours	10 hours
MP3 128 kbps (STEREO)	22 hours	13 hours	10 hours
MP3 48 kbps (MONO)	22 hours	13 hours	10 hours
Music file (MP3 128 kbps)	-	-	-
FM radio reception	-	-	-

Recording mode	Playback with the built-in speaker	Playback with the headphones
LPCM 44.1 kHz/16 bit (STEREO)	5 hours	34 hours
MP3 192 kbps (STEREO)	5 hours	47 hours
MP3 128 kbps (STEREO)	5 hours	47 hours
MP3 48 kbps (MONO)	5 hours	47 hours
Music file (MP3 128 kbps)	5 hours	47 hours
FM radio reception	-	10 hours

Dimensions (w/h/d) (not incl. projecting parts and controls)
Approx. 36.6 mm × 102.8 mm × 12.2 mm

Mass
Approx. 48 g

Temperature/Humidity

	Operating temperature	Storage temperature
Operating humidity	5°C - 35°C	-10°C - +45°C
Storage humidity	25% - 75%	25% - 75%

- Compatible memory cards**
 - microSDHC cards from 4 GB to 32 GB
 - microSDXC cards of 64 GB or more

¹⁾ A small amount of the built-in memory is used for file management and therefore not available for user storage.
²⁾ When the built-in memory is formatted with the IC recorder.
³⁾ The maximum recordable time in this topic is provided for your reference only.
⁴⁾ Default settings for the recording scenes.
⁵⁾ Measured values acquired under our measurement conditions. These values may decrease depending on the usage conditions.



Refer to the Help Guide

This is the Operating Instructions, which provides you with instructions on the basic operations of the IC recorder. The Help Guide is an online manual. Refer to the Help Guide when you would like to know further details, operations and possible solutions when a problem occurs.

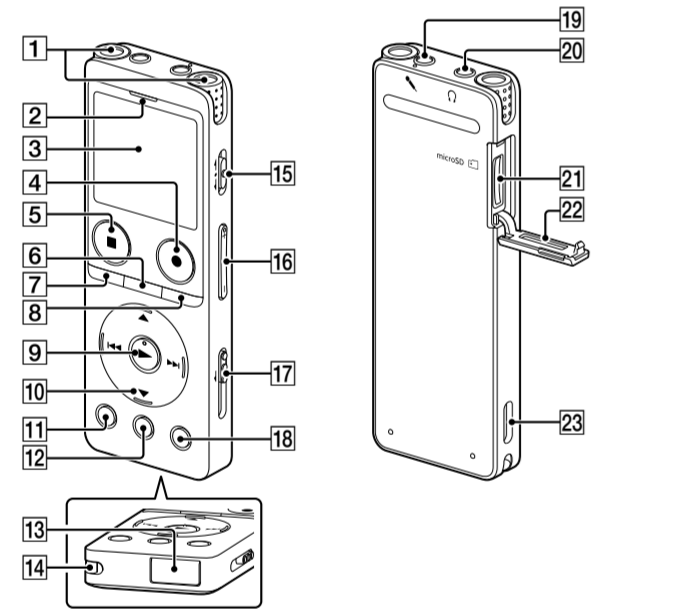
https://rd1.sony.net/help/icd/u57/h_zz/



Check the supplied items

- IC Recorder (1)
- Carrying case (1)
- Operating Instructions (this sheet)
- Application Software, Sound Organizer 2 (Installer file stored in the built-in memory so that you can install it to your computer.)

Parts and controls

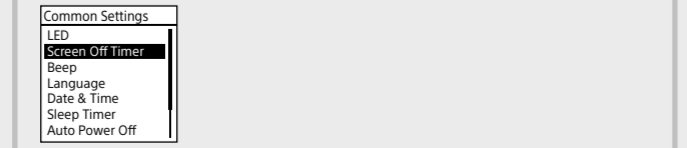


- Built-in microphones
- Operation indicator
- Display window
- REC/PAUSE (record/pause) button
- STOP button
- T-MARK (track mark) button
- BACK/ =HOME button
- OPTION button
- play/enter button¹⁾
- Control button (▲ DPC (Digital Pitch Control), ▼◀ A-B (repeat A-B), ▶▶ (cue/fast forward))
- 3 EASY SEARCH(SEC) button
- +10 EASY SEARCH(SEC) button
- USB connector cover (You can find the USB connector retracted behind the cover.)
- Strap hole (No strap is supplied with your IC recorder.)
- POWER+HOLD switch²⁾
- VOL +/- (volume +/-) button
- USB slide lever
- JUMP (time jump) button
- microphone jack¹⁾
- headphones jack
- microSD card slot (The card slot is located under the cover.)
- Slot cover
- Built-in speaker

¹⁾ The play/enter button, VOL +/- (volume +/-) button, and microphone jack have a tactile dot. Use the tactile dot as a reference when operating the IC recorder.
²⁾ Sliding the POWER+HOLD switch to "POWER" and holding it for 8 seconds or longer restarts your IC recorder. For detailed instructions, refer to the Help Guide.

The display window turns off automatically

The "Screen Off Timer" setting on your IC recorder is set to "30 Sec" by default to save battery power. If you leave the IC recorder untouched for 30 seconds, the display window will turn off, but you can still perform any button operations. To turn the display window back on, press **BACK/HOME**.



You can keep the display window from turning off or change the default setting to another timer interval. Press and hold **BACK/HOME** and select **Settings** - "Common Settings" - "Screen Off Timer", and then select "No Auto Screen Off," "15 Sec.," "30 Sec.," "1 Min.," "3 Min.," or "5 Min."

IC錄音機

使用說明書



ICD-UX570F

詳情請參閱說明指南

這是一份提供IC錄音機基礎操作說明的使用說明書。說明指南是線上手冊。如果您需要瞭解進一步的詳細資料、操作說明，以及問題發生時可行的解決方案，請參閱說明指南。

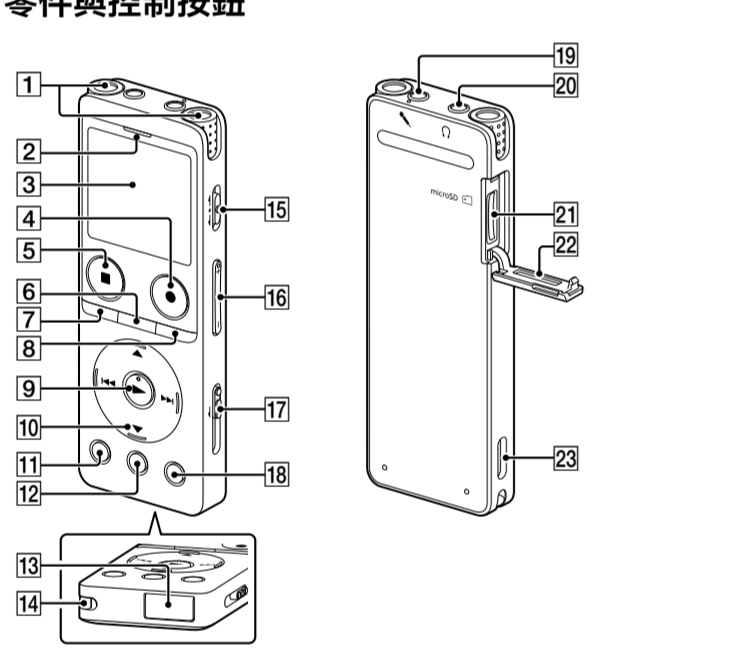
https://rd1.sony.net/help/icd/u57/h_zz/



請檢查附件項目

- IC錄音機（1）
- 攜行包（1）
- 使用說明書（本網頁）
- Sound Organizer 2應用程式軟體（安裝程式檔案儲存於內建記憶體，您可以將軟體安裝在電腦上。）

零件與控制按鈕



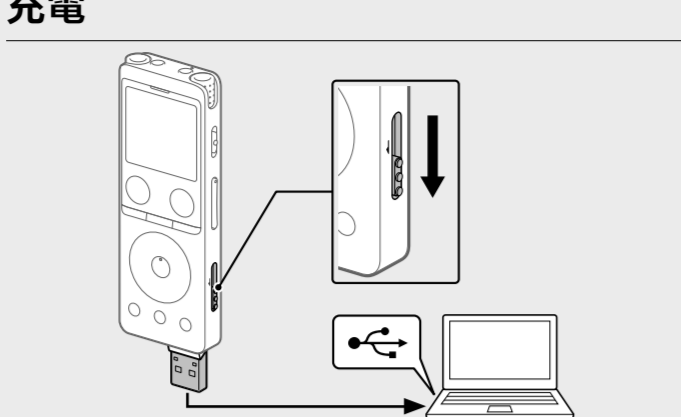
- 內建麥克風
- 操作指示燈
- 顯示視窗
- REC/PAUSE（錄音/暫停）按鈕
- STOP（停止）按鈕
- T-MARK（曲目標記）按鈕
- BACK/◀HOME按鈕
- OPTION按鈕
- ▶（播放/輸入）按鈕*1
- 控制按鈕（▲ DPC（Digital Pitch Control）、▼◀A-B（重播A-B）、▶▶（倒帶/快倒）、▶▶▶（提示/快進）
- EASY SEARCH(SEC)按鈕
- +10 EASY SEARCH(SEC)按鈕
- USB接頭保護蓋（您可將USB接頭收到保護蓋內。）
- 攜帶孔（IC錄音機未附贈腕帶。）
- POWER/HOLD開關*2
- VOL -/+*1（音量 -/+）按鈕
- USB選擇
- JUMP（時間跳躍）按鈕
- （麥克風）插孔*1
- （耳機）插孔
- microSD記憶卡插槽（記憶卡插槽位在保護蓋下方。）
- 指槽保護蓋
- 內建喇叭


^[1] ▶（播放/輸入）按鈕、VOL+（音量+）按鈕和（麥克風）插孔均有觸點，操作IC錄音機時可以使用觸點作為參考。

^[2] 將POWER/HOLD開關滑向“POWER”並按住8秒以上，即可重新啟動IC錄音機。如需詳細說明，請參閱說明指南。

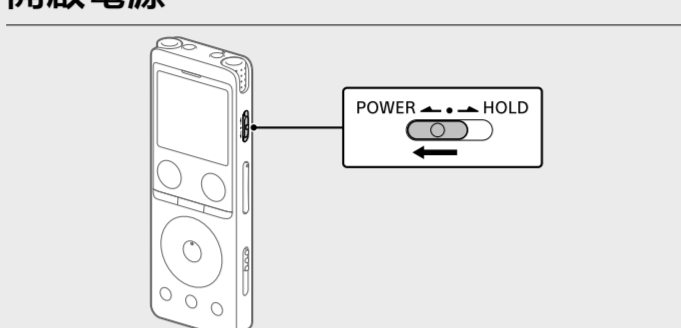
開始使用全新的IC錄音機

充電



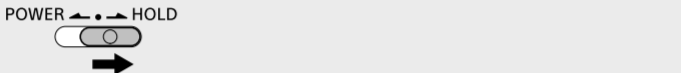
- 對IC錄音機充電。**將USB滑桿向前鎖方向滑動，將USB接頭插入正在運行的電腦的USB連接埠。電池完全充滿時，電池指示燈會從充電動畫切換成。
- 中斷IC錄音機的連接。**確認顯示視窗沒有繼續顯示“Accessing”訊息。然後參閱說明指南，安全地移除IC錄音機。

開啟電源



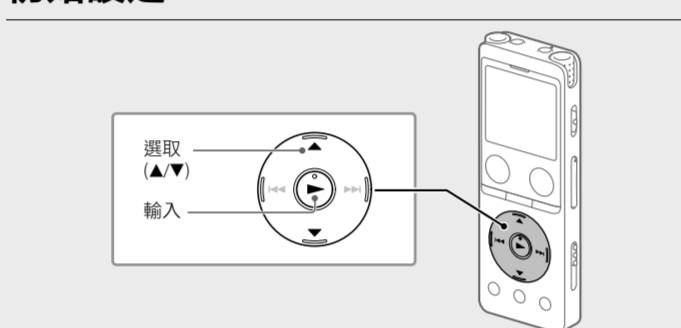
將POWER+HOLD開關滑向“POWER”並按住，直到出現視窗顯示。若要關閉電源，請將POWER+HOLD開關滑向“POWER”並按住，直到顯示視窗顯示“Power Off”。

防止意外操作（HOLD）將POWER+HOLD開關滑向“HOLD”。



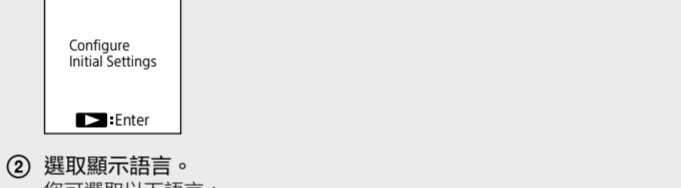
若要解除IC錄音機的HOLD狀態，請將POWER+HOLD開關滑向中間位置。

初始設定



首次開啟IC錄音機的電源時，“Configure Initial Settings”畫面會出現在顯示視窗上。接著您可選取顯示語言、設定時鐘，以及開啟/關閉響聲。

- 按 **▶**開始初始設定。



- 選取顯示語言。您可選取以下語言：Deutsch（德文）、English*（英文）、Español（西班牙文）、Français（法文）、Italiano（義大利文）、Русский（俄文）、Türkçe（土耳其文）、한국어（韓文）、简体中文（簡體中文）、繁體中文*預設設定

- 設定目前的年、月、日、時和分。

Set Date/Time

Y M D

2019 / 10 / 1

Time

12:00 AM



- 選取“Next”。

Configure Initial Settings

▶Enter
- 選取顯示語言。

Set Date/Time

Y M D

2019 / 10 / 10

Time

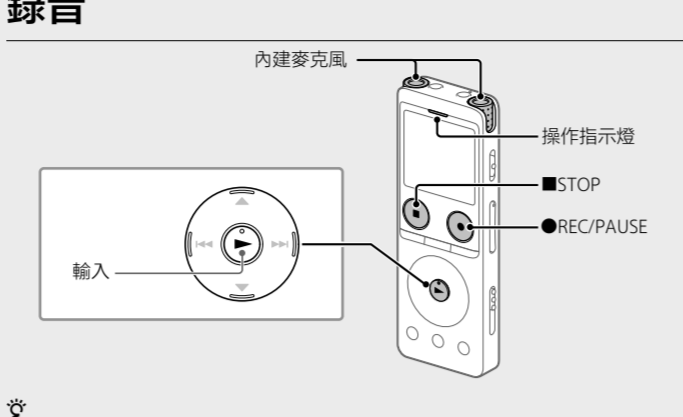
12:00 AM

Next

Back
- 選取“ON”或“OFF”，開啟或關閉響聲。初始設定完成時，完成訊息及HOME選單畫面會依序顯示。

- 附註**
 - 如果花超過30秒才觸碰下一個步驟，顯示視窗將會關閉。若要開啟顯示視窗繼續初始設定，請按BACK/HOME。
 - 您之後隨時可以變更任何初始設定。如需詳細說明，請參閱說明指南。

錄音



- 開始錄音前，請確認HOLD狀態已解除。
- 選取OPTION選單中的“Scene Select”，可針對各種情形選取錄音場景。

- 從HOME選單選取 **▶Record***。錄音待機畫面會隨即顯示。
- 選取儲存裝置及資料夾，儲存錄音檔。
 - 若要在microSD記憶卡中儲存錄音檔，您必須變更檔案儲存目的地資料夾。從OPTION選單選取“Recording Folder”–“SD Card”，然後開始錄音。
- 將IC錄音機的內建麥克風朝向目標音源。
- 按 **▶REC/PAUSE**。
 - “REC”會出現在顯示視窗，表示錄音正在進行，且操作指示燈會亮起紅色。
 - 附註**
 - 若是按住 **▶REC/PAUSE**，則IC錄音機會暫停，而不會開始錄音。
 - 可顯示錄音待機畫面並開始錄音。

REC

1h23m45s

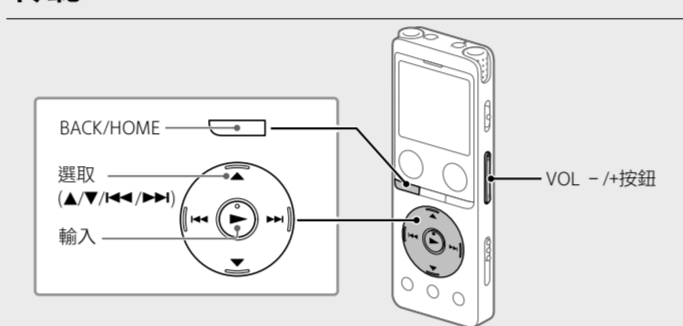
0:00:00

L

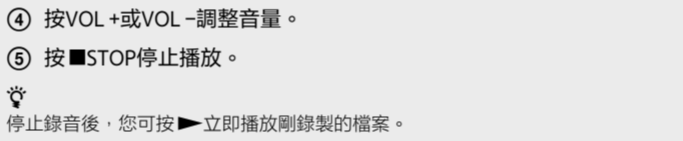
|||||

R

聆聽



- 從HOME選單選取 **▶Recorded Files***。
- 選取“Latest Recording”、“Search by REC Date”、“Search by REC Scene”或“Folders”。
- 選取您要聽的檔案。播放開始，操作指示燈亮起綠色。



- 按VOL+或VOL-調整音量。
 - 按 **▶STOP**停止播放。
- 停止錄音後，您可按 **▶**立即播放剛錄製的檔案。

- 新增曲目標記**可以在稍後想要分檔檔案或在播放中尋找的點時新增曲目標記。每個檔案最多可以新增98個曲目標記。您也可以將在錄音期間新增曲目標記。

快速找到您要的播放點（Time Jump、Easy Search）

- 使用時間跳躍功能可讓您移動到整個檔案10個播放點的任何一點。您可以在時間跳躍模式中以 **◀◀** 或 **▶▶** 使用此項功能。

- 播放時使用輕鬆搜尋功能可讓您前進或倒退一定的秒數（前進10秒，倒退3秒）。

刪除



- 附註**
 - 一旦檔案被刪除，就不能還原。
- 從已錄製檔案的清單中選取您要刪除的檔案，或播放您要刪除的檔案。
 - 從OPTION選單選取“Delete File”。
- 選取“Yes”。

19100_1010.mpeg

Delete?

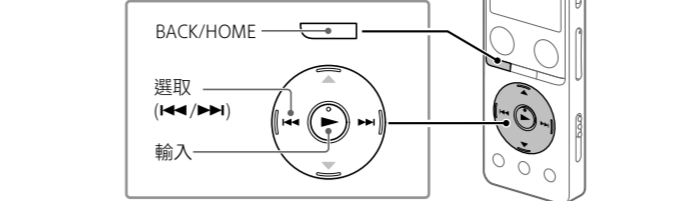
Yes

No

此時會顯示“Please Wait”，直到選取的檔案刪除為止。

使用HOME選單

您可以使用HOME選單執行各項操作，包括尋找和播放錄音檔，以及變更IC錄音機的設定。



- 按住BACK/HOME。此時會出現HOME選單畫面。



- HOME選單項目會依下列順序顯示。

Music

Recorded Files

Record

FM Radio

Settings

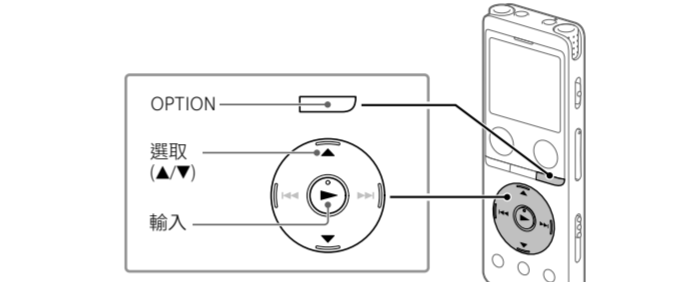
Back to XX*
- 從下列項目選取所需的功能：
 - Music**可選取並播放已從電腦匯入的任何檔案。若要尋找音樂檔案，請選取“All Songs”、“Albums”、“Artists”或“Folders”。匯入檔案時，請務必匯入MUSIC資料夾。
 - Recorded Files**可選取並播放使用IC錄音機錄製的任何檔案。若要尋找錄製的檔案，請選取“Latest Recording”、“Search by REC Date”、“Search by REC Scene”或“Folders”。
 - Record**可顯示錄音待機畫面並開始錄音。
 - FM Radio**您可顯示FM收音機畫面，然後收聽或錄製收音機廣播。
 - Settings**可顯示設定選單畫面並變更IC錄音機上的各種設定。
 - Back to XX***可返回進入HOME選單畫面前顯示的畫面。

目前使用的功能顯示在“XX”中。

按 **▶STOP**即可返回進入HOME選單前顯示的畫面。

使用OPTION選單

您可以使用OPTION選單執行各項功能，包括變更IC錄音機的設定。可用的項目根據狀況而有所不同。



- 從HOME選單選取所需的**功能**，然後按OPTION。

OPTION

選取

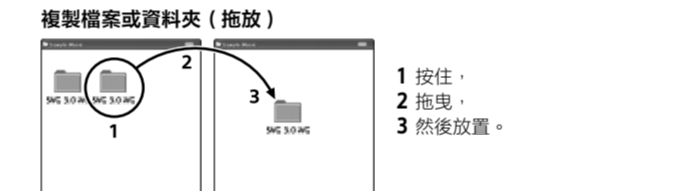
▲▼

輸入
- 選取您要變更設定的選單項目。
- 選取所需的設定選項。

將IC錄音機上的檔案複製到電腦

可以將IC錄音機上的檔案和資料夾複製到電腦上進行儲存。

- 遵循“充電”中的指示，將IC錄音機連接到電腦。
- 將想要複製的檔案或資料夾從“IC RECORDER”或“MEMORY CARD”拖放到電腦的本機磁碟上。



- 從電腦上取下IC錄音機。

安裝Sound Organizer 2

將Sound Organizer安裝到您的電腦。Sound Organizer可讓您在IC錄音機與電腦之間交換檔案。也可以播放從音樂CD和其他媒體匯入的歌曲，匯入到電腦的MP3和其他音訊檔案，並將其傳輸到IC錄音機上。

- 附註**
 - 安裝Sound Organizer 2後，請以具有系統管理員權限的帳戶進行登入。
 - 安裝程序視Windows版本而定。下列程序以Windows 10為例。

- 遵循“充電”中的指示，將IC錄音機連接到電腦。
- 確定電腦成功偵測到IC錄音機。當IC錄音機連接到電腦時，“Connecting”將會出現並持續顯示在IC錄音機的顯示視窗上。
- 用滑鼠右鍵按一下桌面的左下角，然後按一下選單上的[檔案總管]。
- 按兩下[IC RECORDER]–[FOR WINDOWS]。
- 按兩下[SoundOrganizer_V2002]（或[SoundOrganizer_V2002.exe]）。依照螢幕上的指示進行操作。
- 當[Welcome to Sound Organizer 2 Installer]視窗出現時，按一下[Next]。
- 當[Setup Type]視窗出現時，請選取[Standard]或[Custom]，然後按一下[Next]。選單畫面上的指示進行，然後在選單[Custom]時進行安裝設定。
- 當[Ready to Install the Program]視窗出現時，按一下[Install]。安裝作業隨即開始。
- 當[Sound Organizer 2 has been installed successfully]視窗出現時，請勾選[Launch Sound Organizer 2 Now]，然後按一下[Finish]。

- 附註**
 - 安裝Sound Organizer 2後，您可能需要重新啟動電腦。

事先注意事項

有關電源
DC 3.7V：內建充電锂离子电池
DC 5.0V：使用USB充電時
額定電流消耗：500mA

有關握拿

- 不要讓本機靠近熱源或放置於陽光直射、灰塵很多或有機械振盪的地方。假如有任何固體或液體落入本機，在進一步操作之前，請先取出電池並請合格的人員檢查。
- 使用IC錄音機時，務必遵守以下注意事項，以免造成機殼變形或IC錄音機故障。
 - 請勿在IC錄音機置於後口袋時坐下。
 - 不要將耳機線連環的IC錄音機放進袋子裡，然後使袋子受到強力碰撞。
 - 請小心不要讓水液灑到機身。本機並不防水。尤其請特別注意下列情況。
 - 當將本機放在口袋中並前往浴室等地時。
 - 當彎下腰，本機可能會掉入水中而弄溼。
 - 當在本機會曝露於雨水、雪或溼氣的環境中使用本機時。
 - 在會弄溼的狀況下。如果以潮溼的雙手碰觸本機，或將本機放在潮溼衣物的口袋內，本機將會弄溼。
 - 使用本機時當您使用可能會影響您的聽力。
 - 為確保交通安全，請勿在開車或騎腳踏車時使用本機。
 - 在無法聽到周邊聲音就可能釀成危險的地方，請勿使用本機。
 - 如果在四週空氣非常乾燥的時候使用耳機，可能會感到耳朵疼痛。這不是因為耳機故障所造成，而是因為機內累積了太多的靜電。可以藉由穿戴鞋襪產生靜電的非合成材質衣物來減少靜電。
 - 切勿將本產品置於醫療裝置附近。
 - 本產品（包括配件）具有磁性，可能會對心律調整器、用於水腫症治療的可調式引流管或其他醫療裝置造成干擾。切勿將本產品置於使用這類醫療裝置的人附近。如果您如何使用這類醫療裝置，則在使用本產品前最好先詢問您的醫師。

有關備註

- 當本機放置於交流電源、螢光燈或行動電話旁進行錄音或播放時，可能會聽到噪音。
- 當手指等物體在錄音期間觸碰或刮到本機時，可能會錄下噪音。

有關維護
要清潔本機外表，請使用稍沾清水的軟布。接著使用乾質乾布擦拭本機外表。不要使用酒精、汽油或稀釋劑。

如果對本機有任何疑問或問題，請向最近的Sony經銷商諮詢。

警告

- 請勿將電池（安裝的電池組或電池）長時間暴露在過熱的熱源下，如陽光或火源等。
- 切勿讓電池承受到極低溫的情況，以免導致過熱和熱失控。
- 請勿分解、拆解或切碎舊電池或電池。
- 當電池液洩時，請勿讓液體觸碰到皮膚或眼睛。若不慎接觸，請使用大量清水清洗接觸部位，然後尋求醫療建議。
- 切勿使用非設備專用的其他充電器。
- 舊電池和電池需要先充電才能使用。務必使用正確的充電器並參閱製造商說明書或設備手冊，瞭解正確充電指示。
- 長時間存放後，可能需要對舊電池或電池充電和放電數次，才能獲得最大效能。
- 以正確方式棄置。

注意

- 若替換的電池類型不正確，則會有爆炸風險。請根據說明來丟棄使用過的電池。

僅適用於台灣



廢電池請回收

- 本設備經測試符合 EMC 規範有關使用 3 公尺以內連接線的規定限制。

使用者須知

- 保留所有權利。未事先取得Sony Corporation書面核准時，不得全部或部分複製、翻譯本手冊或其中說明的軟體，或將其縮減為任何機器可讀形式。
- 錄製的內容僅供個人娛樂及使用。著作權法禁止未經著作權所有者許可而用於其他用途。

規格

容量（使用者可用容量*1*2）
4 GB（約320 GB = 3435973837位元組）

最長錄音時間 *1*4（內建記憶體）	所有資料的最長錄音時間如下。		
LPCM 44.1 kHz/16 bit（STEREO）	5小時20分鐘		
MP3 192 kbps（STEREO）	39小時45分鐘		
MP3 128 kbps（STEREO）	59小時		
MP3 48 kbps（MONO）	159小時		

電池續航力（內建充電锂离子电池）*5
此處提供的電池續航力為約略時間

錄音模式	錄音	錄音（同時監聽）	錄製FM收音機廣播
LPCM 44.1 kHz/16 bit（STEREO）	20½小時	12小時	–
MP3 192 kbps（STEREO）	22½小時	13小時	10小時
MP3 128 kbps（STEREO）	22½小時	13小時	10小時
MP3 48 kbps（MONO）	22½小時	13小時	10小時
音樂檔案（MP3 128 kbps）	–	–	–
FM收音機接收	–	–	–

錄音模式	使用內建喇叭播放	使用耳機播放
LPCM 44.1 kHz/16 bit（STEREO）	5小時	34小時
MP3 192 kbps（STEREO）	5小時	47小時
MP3 128 kbps（STEREO）	5小時	47小時
MP3 48 kbps（MONO）	5小時	47小時
音樂檔案（MP3 128 kbps）	5小時	47小時
FM收音機接收	–	10小時

尺寸（寬/高/深）（不包括突出部分和控制按鈕）
約 36.6 mm x 102.8 mm x 12.2 mm

重量
約48 g

溫度/溼度	
操作溫度	5°C – 35°C
操作溼度	25% – 75%
儲存溫度	–10°C – +45°C
儲存溼度	25% – 75%

相容記憶卡

- 從4 GB到32 GB的microSDHC
- 64 GB或更高容量的microSDXC卡

^[1] 檔案管理必須使用少量的內建記憶體，因此這些記憶體無法供使用者儲存之用。

^[2] 在IC錄音機將內建記憶體格式化的情況下。

^[3] 本主冊中的最長可錄音時間僅供參考。

^[4] 錄音檔案的預設設定。

^[5] 測量值係根據本公司標準條件取得。這些值可能因實際使用情況而減少。

單元	限制物質及其化學符號					
	鉛 (Pb)	汞 (Hg)	鎘 (Cd)	六價鉻 (Cr ⁶⁺)	多溴聯苯 (PBB)	多溴二苯醚 (PBDE)
電路板	–	○	○	○	○	○
外殼	–	○	○	○	○	○
顯示螢幕	–	○	○	○	○	○
揚聲器	–	○	○	○	○	○
配件	–	○	○	○	○	○

備考1：○”係指該項用物質之百分比含量未超出百分比含量基準值。

備考2：–”係指該項限制用物質為排除項目。