

SONY[®]

5-013-729-12(1)

Wireless Noise Canceling Stereo Headset

Casque stéréo sans fil réducteur de bruits

Reference Guide

Manuel de référence

Guía de referencia

US

FR

ES

The unit is not waterproof. If water or foreign objects enter the unit, it may result in fire or electric shock. If water or a foreign object enters the unit, stop use immediately and consult your nearest Sony dealer. In particular, be careful in the following cases.

- When using the unit around a sink, etc. Be careful that the unit does not fall into a sink or container filled with water.
- When using the unit in the rain or snow, or in humid locations
- When using the unit while you are sweaty
- If you touch the unit with wet hands, or put the unit in the pocket of a damp article of clothing, the unit may get wet.

For details on the effect of contact to the human body from the mobile phone or other wireless devices connected to the unit, refer to the instruction manual of the wireless device.

Never insert the USB plug when the main unit or charging cable is wet. If the USB plug is inserted while the main unit or charging cable is wet, a short communication time: Max. 24 hours (NC ON), Max. 18 hours (Ambient Sound Mode), Max. 30 hours (NC OFF) attached to the main unit or charging cable or due to foreign matter, and cause abnormal heat generation or malfunction.

This product (including accessories) has magnet(s) which may interfere with pacemakers, programmable shunt valves for hydrocephalus treatment, or other medical devices. Do not place this product close to persons who use such medical devices. Consult your doctor before using this product if you use any such medical device.

Note on static electricity
Static electricity accumulated in the body may cause mild tingling in your ears. To reduce the effect, wear clothes made from natural materials, which suppress the generation of static electricity.

IMPORTANT: THE FACTORY DEFAULT SETTING OF THE VOICE GUIDANCE FOR THIS UNIT IS ENGLISH.

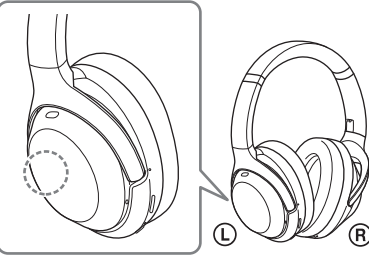
The voice guidance can be heard from the unit when:

- When powering on: "Power on"
- When powering off: "Power off"
- When the remaining battery level is low and recharge is recommended: "Low battery, please recharge headset"
- When automatically turning off due to low battery: "Please recharge headset. Power off"
- When checking the remaining battery level by pressing the POWER button while the unit turns on: "Battery fully charged" / "Battery about 90%" / "Battery about 80%" / "Battery about 70%" / "Battery about 60%" / "Battery about 50%" / "Battery about 40%" / "Battery about 30%" / "Battery about 20%" / "Battery about 10%"
- When entering pairing mode: "Bluetooth pairing"
- When establishing a Bluetooth connection: "Bluetooth connected"
- When disconnecting a Bluetooth connection: "Bluetooth disconnected"
- When turning on the noise canceling function: "Noise canceling"
- When turning on the Ambient Sound Mode: "Ambient sound"
- When turning off the noise canceling function and the Ambient Sound Mode : "Ambient sound control off"
- When starting the NC Optimizer: "Optimizer start"
- When the NC Optimizer is finished: "Optimizer finished"
- When the automatic switching setting of Speak-to-chat is on: "Speak-to-chat activated"
- When the automatic switching setting of Speak-to-chat is off: "Speak-to-chat deactivated"

Precautions

On **BLUETOOTH**[®] communications

- Bluetooth wireless technology operates within a range of about 10 m (30 feet). The maximum communication distance may vary depending on the presence of obstacles (people, metal objects, walls, etc.) or the electromagnetic environment.
- Bluetooth communications may not be possible, or noise or audio dropout may occur under the following conditions.
 - When there is a person between the unit and the Bluetooth device. This situation may be improved by positioning the Bluetooth device so that it faces the antenna of the unit.
 - When there is an obstacle, such as a metal object or a wall, between the unit and the Bluetooth device.
 - When a Wi-Fi device or microwave oven is in use, or microwaves are emitted near the unit.
 - Compared to use indoors, use outdoors is subjected little to signal reflection from walls, floors, and ceilings, which results in audio dropout occurring more frequently than use indoors.
 - The antenna is built into the unit as indicated by the dotted line in the illustration below. The sensitivity of the Bluetooth communications can be improved by removing any obstacles between the connected Bluetooth device and the antenna of this unit.



- Bluetooth and Wi-Fi (IEEE802.11b/g/n) devices use the same frequency (2.4 GHz). When using the unit near a Wi-Fi device, electromagnetic interference may occur, resulting in noise, audio dropout, or the inability to connect. If this happens, try performing the following remedies:
 - Establish a connection between the unit and the Bluetooth device when they are at least 10 m (30 feet) away from the Wi-Fi device.
 - Turn off the Wi-Fi device when using the unit within 10 m (30 feet) of the Wi-Fi device.
 - Position the unit and the Bluetooth device as near as possible to each other.
- Microwaves emitting from a Bluetooth device may affect the operation of electronic medical devices. Turn off this unit and other Bluetooth devices in the following locations, as it may cause an accident:
 - in hospitals, near priority seating in trains, locations where inflammable gas is present, near automatic doors, or near fire alarms.
- The audio playback on this unit may be delayed from that on the transmitting device, due to the characteristics of Bluetooth wireless technology. As a result, the sound may not be in sync with the image when viewing movies or playing games.
- This product emits radio waves when used in wireless mode. When used in wireless mode on an airplane, follow flight crew directions regarding permissible use of products in wireless mode.
- The unit supports security functions that comply with the Bluetooth standard as a means of ensuring security during communication using Bluetooth wireless technology. However, depending on the configured settings and other factors, this security may not be sufficient. Be careful when communicating using Bluetooth wireless technology.
- Sony shall assume no responsibility for any damages or loss resulting from information leaks that occur when using Bluetooth communications.
- Connection with all Bluetooth devices cannot be guaranteed.
 - Bluetooth devices connected with the unit must comply with the Bluetooth standard prescribed by Bluetooth SIG, Inc., and must be certified as compliant.
 - Even when a connected device complies with the Bluetooth standard, there may be cases where the characteristics or specifications of the Bluetooth device make it unable to connect, or result in different control methods, display, or operation.
 - When using the unit to perform hands-free talking on the phone, noise may occur depending on the connected device or the communication environment.
- Depending on the device to be connected, it may require some time to start communications.

If sound skips frequently during playback

- The situation may be improved by setting the sound quality mode to "priority on stable connection." For details, refer to the Help Guide.
- The situation may be improved by changing the wireless playback quality settings or fixing the wireless playback mode to SBC on the transmitting device. For details, refer to the operating instructions supplied with the transmitting device.
- When listening to music from a smartphone, the situation may be improved by closing unnecessary apps or restarting the smartphone.

On the use of calling apps for smartphones and computers

- This unit supports normal incoming calls only. Calling apps for smartphones and computers are not supported.

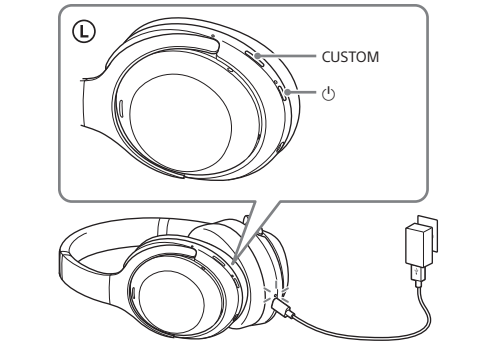
On charging the unit

- This unit can be charged using USB only. A computer with a USB port or a USB AC adaptor is required for charging.
- Be sure to use the supplied USB Type-C cable.
- When charging, the unit cannot be turned on and the Bluetooth and noise canceling functions cannot be used.

- If the unit is not used for a long time, the rechargeable battery may become depleted quickly. The battery will be able to hold a proper charge after it is discharged and recharged several times. When storing the unit for a long time, charge the battery once every six months to prevent over-discharge.
- If the rechargeable battery becomes depleted extremely quickly, it should be replaced with a new one. Please contact your nearest Sony dealer for a battery replacement.

If the unit does not operate properly

- Follow the procedure below to reset the unit. Press the **Q** and **CUSTOM** buttons simultaneously while the unit is charging. The unit is reset. When the unit is reset, the pairing information in the unit is not deleted.



- If the problem persists even after the unit is reset, perform the procedure below to initialize the unit. Disconnect the USB Type-C cable and turn off the unit. Press and hold the **Q** and **CUSTOM** buttons simultaneously for at least 7 seconds. The indicator (blue) flashes 4 times, the unit is initialized, and the unit is reset to the factory settings. When the unit is initialized, all pairing information is deleted.
- After the unit is initialized, it may not connect to your iPhone or computer. If this happens, delete the pairing information of the unit from the iPhone or computer, and then pair them again.

On the noise canceling function

- The noise canceling function senses external ambient noise (such as the noise inside a vehicle or the sound of air conditioning inside a room) with built-in microphones, and produces an equal-but-opposite sound that cancels out the ambient noise.
 - The noise canceling effect may not be pronounced in a very quiet environment, or some noise may be heard.
 - The noise canceling function works for noise in the low frequency band primarily. Although noise is reduced, it is not canceled completely.
 - When you use the unit in a train or a car, noise may occur depending on street conditions.
 - Mobile phones may cause interference and noise. Should this occur, locate the unit further away from the mobile phone.
 - Depending on how you wear the unit, the noise canceling effect may vary or a beeping sound (howling) may occur. If this happens, take off the unit and put it back on again.
 - Do not cover the microphones of the unit with your hands or other objects. Doing so may prevent the noise canceling function or the Ambient Sound Mode from working properly, or may cause a beeping sound (howling) to occur. If this happens, take your hands or other object off of the microphones of the unit.



Notes on wearing the unit

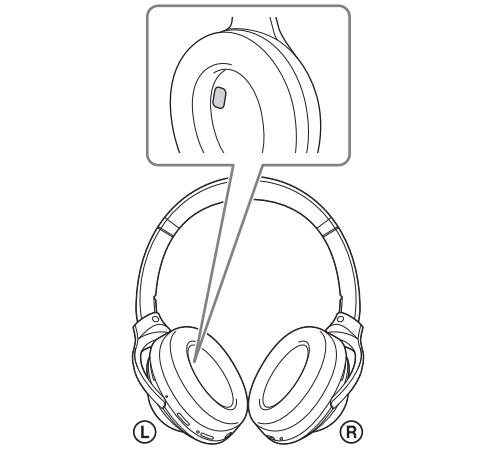
- Because the headphones achieve a tight seal over the ears, forcibly pressing them against your ears or quickly pulling them off can result in ear drum damage. When wearing the headphones, the speaker diaphragm may produce a click sound. This is not a malfunction.

Other notes

- Do not subject the unit to excessive shock.
- The touch sensor may not operate properly if you apply stickers or other adhesive items to the touch sensor control panel.
- Be careful not to catch your finger in the unit when folding.
- When you use the unit as wired headphones, use the supplied headphone cable only. Make sure that the headphone cable is firmly inserted.
- The Bluetooth function may not work with a mobile phone, depending on the signal conditions and the surrounding environment.
- Do not apply weight or pressure to the unit for long periods, including when it is stored, as it may cause deformation.
- If you experience discomfort while using the unit, stop using it immediately.
- The earpads may be damaged or deteriorate with long-term use and storage.

Cleaning the unit

- When the outside of the unit is dirty, clean it by wiping with a soft dry cloth. If the unit is particularly dirty, soak a cloth in a dilute solution of neutral detergent, and wring it well before wiping. Do not use solvents such as thinner, benzene, or alcohol, as they may damage the surface.
- If the sensor part inside the left unit housing gets fogged up or there are water droplets on it due to condensation or humidity from sweat, etc., wearing detection may not work properly. When the sensor part is fogged up or there are water droplets on it, leave the sensor part facing up until the moisture disappears.



- If you have any questions or problems concerning this unit that are not covered in this manual, please consult your nearest Sony dealer.

Replacement parts: earpads
Please consult your nearest authorized Sony retailer or www.sony.com for information about replacement parts.

Specifications

Headset

Power source:
DC 3.7 V: Built-in lithium-ion rechargeable battery
DC 5 V: When charged using USB

Operating temperature:
0 °C to 40 °C (32 °F to 104 °F)

Rated power consumption:
8 W

Usage hours:
When connecting via the Bluetooth device
Music playback time: Max. 30 hours (NC ON), Max. 22 hours (Ambient Sound Mode), Max. 38 hours (NC OFF)
Communication time: Max. 24 hours (NC ON), Max. 18 hours (Ambient Sound Mode), Max. 30 hours (NC OFF)
Standby time: Max. 30 hours (NC ON), Max. 22 hours (Ambient Sound Mode), Max. 200 hours (NC OFF)
When connecting via the headphone cable with NC ON: Max. 22 hours
Note: Usage hours may be shorter depending on the Codec and the conditions of use.

Charging time:

Approx. 3 hours
(About 5 hours of music playback is possible after 10 minutes charging.)
Note: Charging and usage hours may be different depending on the conditions of use.

Charging temperature:
5 °C to 35 °C (41 °F to 95 °F)

Mass:
Approx. 254 g (8.96 oz)

Impedance:

40 Ω (1 kHz) (when connecting via the headphone cable with the unit turned on)
16 Ω (1 kHz) (when connecting via the headphone cable with the unit turned off)

Sensitivity:

105 dB/mW (when connecting via the headphone cable with the unit turned on)
101 dB/mW (when connecting via the headphone cable with the unit turned off)

Frequency response:

4 Hz - 40,000 Hz (JEITA) (when connecting via the headphone cable with the unit turned on)

Included items:

Wireless Noise Canceling Stereo Headset (1)
USB Type-C[®] cable (USB-A to USB-C[®]) (approx. 20 cm (7.88 in.)) (1)
Headphone cable (approx. 1.2 m (47.25 in.)) (1)
Carrying case (1)
Plug adaptor for in-flight use (1)¹⁾

¹⁾ Depending on the in-flight entertainment services, it may not be supported.

Communication specification

Communication system:

Bluetooth Specification version 5.0

Output:

Bluetooth Specification Power Class 1

Maximum communication range:

Line of sight approx. 10 m (30 ft)¹⁾

Frequency band:

2.4 GHz band (2,4000 GHz - 2,4835 GHz)

Compatible Bluetooth profiles²⁾:

A2DP / AVRCP / HFP / HSP

Supported Codecs³⁾:

SBC / AAC / LDACTM

Transmission range (A2DP):

20 Hz - 20,000 Hz (Sampling frequency 44.1 kHz)

20 Hz - 40,000 Hz (Sampling frequency LDAC 96 kHz, 990 kbps)

¹⁾ The actual range will vary depending on factors such as obstacles between devices, magnetic fields around a microwave oven, static electricity, reception sensitivity, antenna's performance, operating system, software application, etc.

²⁾ Bluetooth standard profiles indicate the purpose of Bluetooth communications between devices.

³⁾ Codec: Audio signal compression and conversion format

Design and specifications are subject to change without notice.

System requirements for battery charge using USB

USB AC adaptor

A commercially available USB AC adaptor capable of supplying an output current of 1.5 A or more

Compatible iPhone/iPod models

iPhone XS Max, iPhone XS, iPhone XR, iPhone X, iPhone 8 Plus, iPhone 8, iPhone 7 Plus, iPhone 7, iPhone SE, iPhone 6s Plus, iPhone 6s, iPhone 6 Plus, iPhone 6, iPhone 5s, iPod touch (6th generation) (As of March 2020)

Trademarks

- Apple, iPhone, iPod and iPod touch are trademarks of Apple Inc., registered in the U.S. and other countries.
- Use of the Made for Apple badge means that an accessory has been designed to connect specifically to the Apple product(s) identified in the badge, and has been certified by the developer to meet Apple performance standards. Apple is not responsible for the operation of this device or its compliance with safety and regulatory standards.
- Android is a trademark of Google LLC.
- The Bluetooth[®] word mark and logos are registered trademarks owned by the Bluetooth SIG, Inc. and any use of such marks by Sony Corporation is under license.
- The N-Mark is a trademark or registered trademark of NFC Forum, Inc. in the United States and in other countries.
- The LDAC name and logo are trademarks of Sony Corporation.
- USB Type-C[®] and USB-C[®] are registered trademarks of USB Implementers Forum.
- Other trademarks and trade names are those of their respective owners.

Notes on the License

This product contains software that Sony uses under a licensing agreement with the owner of its copyright. We are obligated to announce the contents of the agreement to customers under requirement by the owner of copyright for the software. Please access the following URL and read the contents of the license.
https://rd1.sony.net/help/mdr/sl/20/

Disclaimer regarding services offered by third parties

Services offered by third parties may be changed, suspended, or terminated without prior notice. Sony does not bear any responsibility in these sorts of situations.

Français

Casque stéréo sans fil réducteur de bruits

RECYCLAGE DES ACCUMULATEURS RECHARGEABLES

Les accumulateurs rechargeables sont recyclables.

Vous pouvez contribuer à préserver l'environnement en rapportant les piles usées dans un point de collecte et recyclage le plus proche. Pour plus d'informations sur le recyclage des accumulateurs, visitez http://www.sony.com/electronics/eco/environmental-management
Avertissement : Ne pas utiliser des accumulateurs rechargeables qui sont endommagées ou qui fuient.

<p>Pour la clientèle au Canada</p> <p>L'émetteur/récepteur exempt de licence contenu dans le présent appareil est conforme aux CNR d'Innovation, Sciences et Développement économique Canada applicables aux deux conditions suivantes : 1) l'appareil ne doit pas produire de brouillage; 2) l'utilisateur de l'appareil doit accepter tout brouillage radioélectrique subi, même si le brouillage est susceptible d'en compromettre le fonctionnement</p> <p>Les connaissances scientifiques dont nous disposons n'ont mis en évidence aucun problème de santé associé à l'usage des appareils sans fil à faible puissance tels que les téléphones cellulaires. La mesure de prouver que ces appareils sans fil à faible puissance sont entièrement sans danger. Les appareils sans fil à faible puissance émettent une énergie fréquence radioélectrique (RF) très faible dans le spectre des micro-ondes lorsqu'ils sont utilisés. Alors qu'une dose élevée de RF peut avoir des effets sur la santé (en chauffant les tissus), l'exposition à de faibles RF qui ne sont pas de chaleur n'a pas de mauvais effets connus sur la santé. De nombreuses études ont été menées sur les expositions aux RF faibles et n'ont découvert aucun effet biologique. Certaines études ont suggéré qu'il pouvait y avoir certains effets biologiques, mais ces résultats n'ont pas été confirmés par des recherches supplémentaires. Casque stéréo sans fil réducteur de bruits (WH-1000XM4) a été testé et jugé conforme aux limites d'exposition aux rayonnements ISDE énoncées pour un environnement non contrôlé et respecte les règles d'exposition aux fréquences radioélectriques (RF) CNR-102 de l'ISDE.</p>

Un volume élevé peut affecter votre ouïe.

N'utilisez pas l'appareil pendant que vous marchez, conduisez ou faites du vélo. Vous risqueriez de provoquer des accidents de la circulation.

Ne l'utilisez pas à un endroit dangereux, à moins que vous puissiez entendre les sons environnants.

L'appareil n'est pas résistant à l'eau. Si de l'eau ou des corps étrangers pénètrent dans l'appareil, cela peut entraîner un incendie ou un choc électrique. Si de l'eau ou un corps étranger pénètre dans l'appareil, cessez immédiatement de l'utiliser et consultez votre détaillant Sony le plus proche. N'oubliez pas de suivre, notamment, les précautions ci-dessous.

- Utilisation près d'un évier, etc. Veillez à ce que l'appareil ne tombe pas dans un évier ou un récipient rempli d'eau.
- Utilisation sous la pluie ou la neige ou dans des endroits humides
- Utilisation pendant que vous transpirez
- Si vous touchez l'appareil avec les mains mouillées ou le mettez dans la poche d'un vêtement humide, l'appareil peut devenir mouillé.

Pour plus de renseignements sur l'effet de contact sur le corps humain qui peut avoir un téléphone mobile ou autre périphérique sans fil connecté à l'appareil, consultez le manuel d'instructions du périphérique sans fil.

N'insérez jamais la fiche USB lorsque l'appareil principal ou le câble de chargement est mouillé. Si la fiche USB est insérée pendant que l'appareil principal ou le câble de chargement est mouillé, un court-circuit pourrait être causé par le liquide (eau du robinet, eau de mer, bioisot gazeuse, etc.) présent sur l'appareil principal ou le câble de chargement ou par un corps étranger, entraînant un dégagement de chaleur anormal ou un problème de fonctionnement.

Ce produit (y compris les accessoires) est doté d'un ou plusieurs aimants qui peuvent interférer avec le fonctionnement des stimulateurs cardiaques, robinets de dérivation programmables pour traitement d'hydrocéphalie ou autres appareils médicaux. Ne placez pas ce produit près des personnes qui utilisent de tels appareils médicaux. Consultez votre médecin avant d'utiliser ce produit si vous utilisez de tels appareils médicaux.

Remarque sur l'électricité statique

L'électricité statique accumulée dans votre corps peut causer une légère sensation de picotement dans vos oreilles. Pour réduire l'effet, portez des vêtements fabriqués à partir de matériaux naturels, qui permettent d'éviter la production d'électricité statique.

IMPORTANT : LE RÉGLAGE D'USINE PAR DÉFAUT DU GUIDAGE VOCAL POUR CET APPAREIL EST L'ANGLAIS.

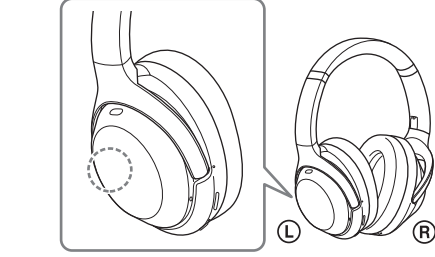
Le guidage vocal peut se faire entendre en provenance de l'appareil :

- Lors de la mise en marche : « Power on » (Marche)
- Lors de la mise en arrêt : « Power off » (Arrêt)
- Lorsque le niveau restant de la batterie est faible et qu'une recharge est recommandée : « Low battery, please recharge headset » (Batterie faible, veuillez recharger le casque d'écoute)
- Lors de la mise en arrêt automatique en raison de la batterie faible : « Please recharge headset. Power off » (Veuillez recharger le casque d'écoute. Arrêt)
- Lors de la vérification du niveau restant de la batterie en appuyant sur le bouton d'alimentation pendant que l'appareil se met en marche : « Battery fully charged » / « Battery about 90% » / « Battery about 80% » / « Battery about 70% » / « Battery about 60% » / « Battery about 50% » / « Battery about 40% » / « Battery about 30% » / « Battery about 20% » / « Battery about 10% » (Batterie entièrement chargée / Batterie environ 90 % / Batterie environ 80 % / Batterie environ 70 % / Batterie environ 60 % / Batterie environ 50 % / Batterie environ 40 % / Batterie environ 30 % / Batterie environ 20 % / Batterie environ 10 %)
- Lorsque l'appareil passe en mode de jumelage : « Bluetooth pairing » (Jumelage Bluetooth)
- Lors de l'établissement d'une connexion Bluetooth : « Bluetooth connected » (Bluetooth connecté)
- Lors de la désactivation d'une connexion Bluetooth : « Bluetooth disconnected » (Bluetooth déconnecté)
- Lors de l'activation de la fonction de réduction de bruits : « Noise canceling » (Réduction de bruits)
- Lors de l'activation du Mode sonore ambient : « Ambient sound » (Son ambient)
- Lors de la désactivation de la fonction de réduction de bruits et du Mode sonore ambient : « Ambient sound control off » (Contrôle sonore ambient désactivé)
- Lors du démarrage de l'optimiseur NC : « Optimizer start » (Démarrage de l'optimiseur)
- Lorsque l'optimiseur NC a terminé : « Optimizer finished » (Optimiseur terminé)
- Lorsque le réglage de commutation automatique de Parler pour bavarder active : « Speak-to-chat activated » (Parler pour bavarder activé)
- Lorsque le réglage de commutation automatique de Parler pour bavarder désactivé : « Speak-to-chat deactivated » (Parler pour bavarder désactivé)

Précautions

À propos des communications BLUETOOTH[®]

- La technologie sans fil Bluetooth fonctionne dans un rayon d'environ 10 m (30 pieds). La distance maximale de communication peut varier en fonction de la présence d'obstacles (personnes, objets métalliques, murs, etc.) ou de l'environnement électromagnétique.
- Les communications Bluetooth peuvent ne pas être possibles ou du bruit ou des pertes sonores peuvent se produire dans les conditions suivantes :
 - Lorsqu'il y a une personne entre l'appareil et le périphérique Bluetooth. Cette situation peut être améliorée en plaçant le périphérique Bluetooth de manière à ce qu'il soit face à l'antenne de l'appareil.
 - Lorsqu'il y a un obstacle, tel qu'un objet métallique ou un mur, entre l'appareil et le périphérique Bluetooth.
 - Lorsqu'un périphérique Wi-Fi ou un four à micro-ondes est en cours d'utilisation ou que des micro-ondes sont émises à proximité de l'appareil.
 - Comparativement à une utilisation intérieure, l'utilisation extérieure est peu soumise à la réflexion du signal sur les murs, les sols et les plafonds, ce qui entraîne une perte sonore plus fréquente que lors de l'utilisation à l'intérieur.
 - L'antenne est intégrée à l'appareil comme l'indique la ligne en pointillés sur l'illustration ci-dessous. La sensibilité des communications Bluetooth peut être améliorée en retirant tout obstacle entre le périphérique Bluetooth connecté et l'antenne de cet appareil.



- Les périphériques Bluetooth et Wi-Fi (IEEE802.11b/g/n) utilisent la même fréquence (2,4 GHz). Lors de l'utilisation de l'appareil à proximité d'un périphérique Wi-Fi, des interférences électromagnétiques peuvent se produire, entraînant du bruit, des pertes sonores ou l'impossibilité de se connecter. Si cela se produit, essayez les solutions suivantes :
 - Établissez une connexion entre l'appareil et le périphérique Bluetooth lorsqu'ils sont au moins à 1 m (30 pieds) du périphérique Wi-Fi.
 - Désactivez le périphérique Wi-Fi lorsque vous utilisez l'appareil à moins de 10 m (30 pieds) du périphérique Wi-Fi.
 - Placez l'appareil et le périphérique Bluetooth aussi près que possible l'un de l'autre.

- Les micro-ondes émises par un périphérique Bluetooth peuvent nuire au fonctionnement des dispositifs médicaux électroniques. Désactivez cet appareil et tout autre périphérique Bluetooth dans les endroits suivants, car cela peut entraîner un accident :
 - dans les hôpitaux, à proximité des places prioritaires dans les trains, aux endroits où des gaz inflammables sont présents, près des portes automatiques ou près des alarmes d'incendie.

- La lecture audio sur cet appareil peut être retardée par rapport à celle sur le périphérique émetteur en raison des caractéristiques de la technologie sans fil Bluetooth. Par conséquent, le son pourrait ne pas être synchronisé avec l'image lorsque vous visionnez un film ou jouez à un jeu.
- Ce produit émet des ondes radio lors de l'utilisation en mode sans fil. Lors de l'utilisation en mode sans fil dans un avion, suivez les instructions de l'équipage concernant l'utilisation permise des produits en mode sans fil.
- L'appareil prend en charge les fonctions de sécurité conformes à la norme Bluetooth en tant que moyen d'assurer la sécurité lors de la communication à l'aide de la technologie sans fil Bluetooth. Cependant, en fonction de la configuration des paramètres et d'autres facteurs, cette sécurité peut ne pas être suffisante. Faites attention lors de vos communications à l'aide de la technologie sans fil Bluetooth.
- Sony n'assume aucune responsabilité pour tout dommage ou perte résultant de fuites d'informations se produisant lors de l'utilisation des communications Bluetooth.
- La connexion avec tous les périphériques Bluetooth ne peut pas être garantie.
 - Les périphériques Bluetooth connectés à l'appareil doivent être conformes à la norme Bluetooth prescrite par Bluetooth SIG, Inc., et doivent être certifiés comme étant conformes.
 - Même lorsqu'un périphérique connecté est conforme à la norme Bluetooth, il peut y avoir des cas où les caractéristiques ou les spécifications du périphérique Bluetooth rendent la connexion impossible ou entraînent des différences dans les méthodes de commande, l'affichage ou le fonctionnement.
 - Lors de l'utilisation de l'appareil pour des appels en mode mains libres, du bruit peut se produire en fonction du périphérique connecté ou de l'environnement de communication.
- En fonction du périphérique à connecter, un certain temps peut être nécessaire pour amorcer les communications.

Si le son saute fréquemment pendant la lecture

- La situation peut être améliorée en réglant le mode de qualité sonore à « priorité à la connexion stable ». Pour plus de détails, consultez le Manuel d'aide.
- La situation peut être améliorée en modifiant les paramètres de qualité de lecture sans fil ou en réglant le mode de lecture sans fil à SBC sur le périphérique émetteur. Pour plus de détails, consultez le mode d'emploi fourni avec le périphérique émetteur.
- Si l'assumme aucune responsabilité à partir d'un téléphone intelligent, la situation peut être améliorée en fermant les applications inutiles ou en redémarrant le téléphone intelligent.

À propos de l'utilisation des applications d'appel pour les téléphones intelligents et les ordinateurs

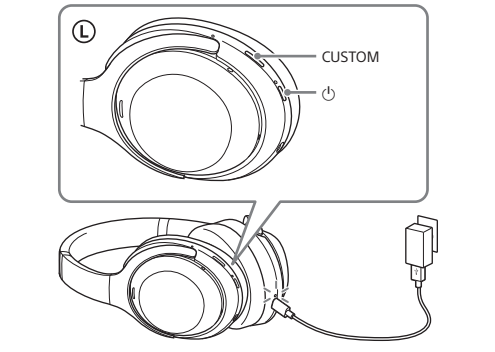
- Cet appareil prend seulement en charge les appels entrants normaux. Les applications d'appel pour les téléphones intelligents et les ordinateurs ne sont pas prises en charge.

À propos de la charge de l'appareil

- Cet appareil peut seulement être chargé par USB. Un ordinateur avec un port USB ou un adaptateur CA USB est requis pour la charge.
- Assurez-vous d'utiliser le câble USB Type-C fourni.
- Lors de la charge, l'appareil ne peut pas être mis en marche et les fonctions Bluetooth et de réduction de bruits ne peuvent pas être utilisées.
- Si l'appareil n'est pas utilisé pendant une longue période, la batterie rechargeable peut se vider rapidement. La batterie pourra fournir une charge appropriée après avoir été déchargée et rechargée plusieurs fois. Lorsque vous rangez l'appareil pendant une longue période, chargez la batterie une fois tous les six mois afin de prévenir la charge excessive.
- Si la batterie rechargeable se vide très rapidement, elle doit être remplacée par une nouvelle. Veuillez communiquer avec votre détaillant Sony le plus proche pour obtenir une batterie de recharge.

Si l'appareil ne fonctionne pas correctement

- Suivez la procédure ci-dessous pour réinitialiser l'appareil. Appuyez simultanément sur les boutons ⏻ et CUSTOM et maintenez-les enfoncés pendant en charge. L'appareil est réinitialisé. Après la réinitialisation de l'appareil, les informations de jumelage dans l'appareil sont toujours présentes.



- Si le problème persiste même après la réinitialisation de l'appareil, effectuez la procédure ci-dessous pour initialiser l'appareil. Débranchez le câble USB Type-C et éteignez l'appareil. Appuyez simultanément sur les boutons ⏻ et CUSTOM et maintenez-les enfoncés pendant au moins 7 secondes. Le témoin (bleu) clignote 4 fois, l'appareil est initialisé, puis l'appareil est réinitialisé aux réglages par défaut. Lorsque l'appareil est initialisé, toutes les informations de jumelage sont supprimées.
- Après l'initialisation de l'appareil, il pourrait ne pas se connecter à votre iPhone ou ordinateur. Si cela se produit, supprimez les informations de jumelage de l'appareil dans le iPhone ou l'ordinateur, puis jumelez-les de nouveau.

À propos de la fonction de réduction de bruits

- La fonction de réduction de bruits détecte les bruits ambiants externes (tels que les bruits à l'intérieur d'un véhicule ou les bruits de la climatisation à l'intérieur d'une pièce) avec les micros intégrés et produit un son égal, mais opposé, qui réduit les bruits ambiants.
- L'effet de réduction de bruits peut ne pas être prononcé dans un environnement très calme ou un peu de bruit peut être audible.
- La fonction de réduction de bruits fonctionne principalement pour les bruits se situant dans la bande des basses fréquences. Bien que les bruits soient réduits, ils ne sont pas annulés complètement.
- Lorsque vous utilisez l'appareil dans un train ou une voiture, du bruit peut se produire selon les conditions de la route.
- Les téléphones mobiles peuvent causer des interférences et du bruit. Si cela se produit, éloignez l'appareil du téléphone mobile.
- Selon la façon dont vous portez l'appareil, l'effet de réduction de bruits peut varier ou un signal sonore (sifflement) peut se produire. Si cela se produit, enlevez l'appareil et remettez-le.
- Ne recouvrez pas les micros de l'appareil avec vos mains ou d'autres objets. Cela pourrait empêcher la fonction de réduction de bruits ou le Mode sonore ambiant de fonctionner correctement ou pourrait provoquer un signal sonore (sifflement). Si cela se produit, enlevez vos mains ou tout autre objet des micros de l'appareil.



Remarques sur le port de l'appareil

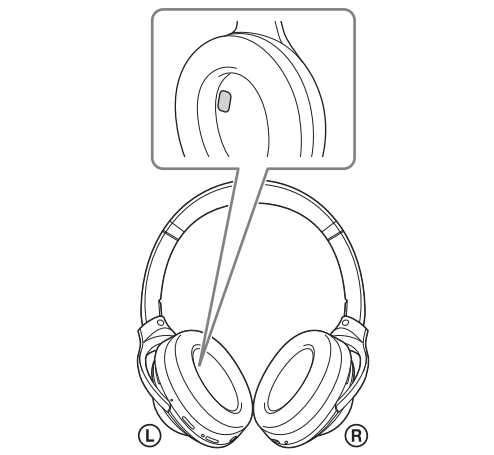
- Comme le casque d'écoute réalise un solide scellement sur les oreilles, appuyer fortement ce dernier contre vos oreilles ou l'enlever rapidement peut entraîner des dommages aux tympans. Lors du port du casque d'écoute, le diaphragme du haut-parleur pourrait produire un son de dé clic. Il ne s'agit pas d'un problème de fonctionnement.

Autres remarques

- Ne soumettez pas l'appareil à un choc excessif.
- Le capteur tactile peut ne pas fonctionner correctement si vous appliquez des autocollants ou d'autres éléments adhésifs sur le panneau de commande à capteur tactile.
- Veuillez à ne pas vous coincer le doigt dans l'appareil lorsque vous le pliez.
- Lorsque vous utilisez l'appareil comme un casque d'écoute avec câble, utilisez seulement le câble de casque d'écoute fourni. Assurez-vous que le câble de casque d'écoute est bien inséré.
- La fonction Bluetooth peut ne pas fonctionner avec un téléphone mobile, selon les conditions du signal et l'environnement immédiat.
- N'appliquez pas de pression ou de poids sur l'appareil pendant de longues durées, y compris lorsqu'il est rangé, car cela peut entraîner une déformation.
- Si vous ressentez un inconfort lors de l'utilisation de l'appareil, cessez immédiatement de l'utiliser.
- Les oreillettes peuvent être endommagées ou se détériorer avec l'usage et le rangement prolongés.

Nettoyage de l'appareil

- Lorsque l'extérieur de l'appareil est sale, nettoyez-le en l'essuyant avec un chiffon doux et sec. Si l'appareil est particulièrement sale, imbibez un chiffon d'une solution diluée de détergent neutre et essorez-le bien avant d'essuyer l'appareil. N'utilisez pas de solvants tels que du diluant, du benzène ou de l'alcool, car ils pourraient endommager la surface.
- Si la pièce du capteur à l'intérieur du boîtier de l'unité gauche devient embuée ou que des gouttelettes d'eau apparaissent sur celle-ci en raison de la condensation ou l'humidité causée par la transpiration, etc., la détection de port pourrait ne pas fonctionner correctement. Lorsque la pièce du capteur est embuée ou que des gouttelettes d'eau apparaissent sur celle-ci, laissez la pièce du capteur vers le haut jusqu'à ce que l'humidité disparaisse.



- Si vous avez des questions ou des problèmes concernant cet appareil qui ne sont pas abordés dans ce manuel, veuillez consulter votre détaillant Sony le plus proche.

Pièces de rechange : oreillettes
Veuillez consulter votre détaillant autorisé Sony le plus proche ou le site www.sony.com pour plus d'informations sur les pièces de rechange.

Spécifications

Casque

Source d'alimentation :

3,7 V CC : Batterie rechargeable au lithium-ion intégrée

5 V CC : Lors du chargement par USB

Température de fonctionnement :

0 °C à 40 °C (32 °F à 104 °F)

Consommation électrique nominale :

8 W

Nombre d'heures d'utilisation :

Lors de la connexion via le périphérique Bluetooth
Durée de lecture musicale : Max. 30 heures (fonction NC activée), Max. 22 heures (Mode de sonido ambiente), Max. 38 heures (fonction NC désactivée)
Durée de communication : Max. 24 heures (fonction NC activée), Max. 18 heures (Mode de sonido ambiente), Max. 30 heures (fonction NC désactivée)
Durée de veille : Max. 30 heures (fonction NC activée), Max. 22 heures (Mode de sonido ambiente), Max. 200 heures (fonction NC désactivée)

Lors de la connexion via le câble de casque d'écoute avec fonction NC activée : Max. 22 heures

Remarque : Le nombre d'heures d'utilisation peut être inférieur, selon le codec et les conditions d'utilisation.

Durée de chargement :

Environ 3 heures

(Environ 5 heures de lecture musicale sont possibles après un chargement de 10 minutes.)

Remarque : La durée de chargement et le nombre d'heures d'utilisation peuvent être différents selon les conditions d'utilisation.

Température de chargement :

5 °C à 35 °C (41 °F à 95 °F)

Masse :

Environ 254 g (8,96 oz)

Impédance :

40 Ω (1 kHz) (lors de la connexion via le câble de casque d'écoute pendant que l'appareil est en marche)
16 Ω (1 kHz) (lors de la connexion via le câble de casque d'écoute pendant que l'appareil est éteint)

Sensibilité :

105 dB/mW (lors de la connexion via le câble de casque d'écoute pendant que l'appareil est en marche)

101 dB/mW (lors de la connexion via le câble de casque d'écoute pendant que l'appareil est éteint)

Réponse en fréquence :

4 Hz – 40 000 Hz (JEITA) (lors de la connexion via le câble de casque d'écoute pendant que l'appareil est en marche)

Éléments inclus :

Casque stéréo sans fil réducteur de bruits (1)
Câble USB Type-C® (USB-A à USB-C®) (environ 20 m (78,89 po)) (1)
Câble de casque d'écoute (environ 1,2 m (47,25 po)) (1)
Étui de transport (1)
Adaptateur de fiche pour utilisation en vol (1)¹⁾

- ↑ Selon les services de divertissement de bord, il pourrait ne pas être pris en charge.

Spécification de communication

Système de communication :

Spécification Bluetooth version 5.0

Sortie :

Spécification Bluetooth pour classe de puissance 1

Portée de communication maximale :

En ligne directe, environ 10 m (30 pi)¹⁾

Bande de fréquence :

Bande 2,4 GHz (2,4000 GHz – 2,4835 GHz)

Profils Bluetooth compatibles²⁾ :

A2DP / AVRCP / HFP / HSP

Codecs pris en charge³⁾ :

SBC / AAC / LDAC™

Plage de transmission (A2DP) :

20 Hz – 20 000 Hz (fréquence d'échantillonnage de 44,1 kHz)

20 Hz – 40 000 Hz (fréquence d'échantillonnage LDAC 96 kHz, 990 kbit/s)

- ↑ La portée réelle varie en fonction de nombreux facteurs, tels que la présence d'obstacles entre les périphériques, les champs magnétiques autour des fours à micro-ondes, l'électricité statique, la sensibilité de la réception aux interférences électromagnétique et l'antenne, le système d'exploitation, les applications logicielles, etc.

- ↑ Les profils standard Bluetooth indiquent la fonction des communications Bluetooth entre les périphériques.

- ↑ Codec : Format de conversion et compression du signal audio

La conception et les spécifications peuvent être modifiées sans préavis.

Configuration requise pour la charge de la batterie par USB

Adaptateur CA USB

Un adaptateur CA USB disponible sur le marché, capable de fournir un courant de sortie de 1,5 A ou plus

Modèles de iPhone/iPod compatibles

iPhone XS Max, iPhone XS, iPhone XR, iPhone X, iPhone 8 Plus, iPhone 8, iPhone 7 Plus, iPhone 7, iPhone SE, iPhone 6s Plus, iPhone 6s, iPhone 6 Plus, iPhone 6, iPhone 5s, iPod touch (6e génération) (A compter de mars 2020)

Marques de commerce

- Apple, iPhone, iPod et iPod touch sont des marques de commerciales d'Apple Inc., déposées aux États-Unis et dans d'autres pays.
- L'utilisation du badge Made for Apple signifie qu'un accessoire a été conçu pour être enregistré spécifiquement au produit ou aux produits Apple identifiés dans le badge, et a été certifié par le constructeur pour satisfaire les normes de performance d'Apple. Apple n'est pas responsable du fonctionnement de cet appareil ni de sa conformité avec les consignes et normes de sécurité.
- Android est une marque de Google LLC.
- La marque et les logos Bluetooth® sont des marques déposées détenues par Bluetooth SIG, Inc. et toute utilisation de ces marques par Sony Corporation est sous licence.
- La marque N est une marque de commerce ou une marque déposée de NCF Forum, Inc. aux États-Unis et dans d'autres pays.
- Le nom et le logo LDAC sont des marques de commerce de Sony Corporation.
- USB Type-C® et USB-C® sont des marques déposées d'USB Implementers Forum.
- Les autres marques de commerce et noms commerciaux appartiennent à leurs propriétaires respectifs.

Remarques sur la licence

Ce produit contient un logiciel que Sony utilise dans le cadre d'un contrat de licence avec le détenteur de ses droits d'auteur. Nous sommes dans l'obligation de communiquer le contenu du contrat aux clients pour nous conformer aux exigences du détenteur des droits d'auteur du logiciel. Veuillez accéder à l'URL suivante et lire le contenu de la licence.
https://rd1.sony.net/help/mdr/sl/20/

Clause de nonresponsabilité relative aux services offerts par des tiers

Les services offerts par des tiers pourraient être modifiés, suspendus ou annulés sans préavis. Sony n'assume aucune responsabilité dans ces types de situations.

Español

NOT FOR CANADIAN CUSTOMERS. NOT APPLICABLE IN CANADA, INCLUDING IN THE PROVINCE OF QUEBEC.

NE S'ADRESSE PAS AUX CONSOMMATEURS CANADIENS. NON APPLICABLE AU CANADA, Y COMPRIS LA PROVINCE DE QUÉBEC.

NO APLICA PARA EL CLIENTE CANADIENSE. NO APLICABLE EN CANADA, INCLUIDA LA PROVINCIA DE QUEBEC.

Auriculares estéreo inalámbricos con función de supresión de ruido

POR FAVOR LEA DETALLADAMENTE ESTE MANUAL DE INSTRUCCIONES ANTES DE CONECTAR Y OPERAR ESTE EQUIPO. RECUERDE QUE UN MAL USO DE SU APARATO PODRÍA ANULAR LA GARANTÍA.

AVISO IMPORTANTE PARA MÉXICO <p>La operación de este equipo está sujeta a las siguientes dos condiciones: (1) es posible que este equipo o dispositivo no cause interferencia perjudicial y (2) este equipo o dispositivo debe aceptar cualquier interferencia, incluyendo la que pueda causar su operación no deseada. Para consultar la información relacionada al número del certificado, refiérase a la etiqueta del empaque y/o del producto.</p>

El volumen elevado afecta la audición.

No utilice la unidad mientras camina, conduce o anda en bicicleta. Hacerlo puede causar accidentes de tránsito.

No la utilice en un lugar peligroso a menos que pueda oír los sonidos circundantes.

La unidad no es resistente al agua. Si ingresa agua o algún objeto extraño a la unidad, puede provocar un incendio o electrocución. Si ingresa agua o algún objeto extraño a la unidad, interrumpa su uso de inmediato y consulte al distribuidor Sony más cercano. En especial, recuerde acatar las precauciones que se mencionan a continuación.

- Use cerca de un tragapuros, etc.
- Tenga cuidado de que la unidad no caiga en un fregadero ni contenedor lleno de agua.
- Use bajo lluvia o nieve, o en lugares húmedos
- Use mientras está sudado
- Si toca la unidad con las manos mojadas o coloca la unidad en el bolsillo de alguna prenda húmeda, la unidad se mojará.

Si desea obtener más información respecto del efecto que tienen ante el contacto con el cuerpo humano los teléfonos móviles u otros dispositivos inalámbricos conectados a la unidad, consulte el manual de instrucciones del dispositivo inalámbrico.

Nunca inserte la clavija USB cuando la unidad principal o el cable de carga estén mojados. Si se inserta la clavija USB cuando la unidad principal o el cable de carga estén mojados, puede producirse un cortocircuito debido al líquido (agua corriente, agua salada, bebida gaseosa, etc.) adherido a la unidad principal o cable de carga o debido a un cuerpo extraño, y causar una generación anormal de calor o mal funcionamiento.

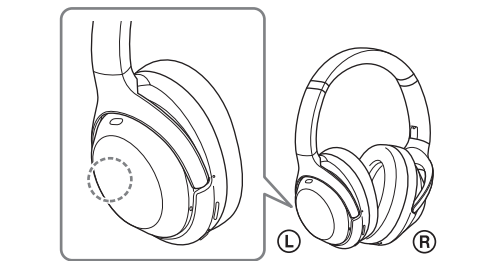
Este producto (incluidos sus accesorios) contiene imanes que pueden interferir con marcapasos, válvulas de derivación programables para tratamientos para la hidrocefalia u otros productos sanitarios. No coloque el dispositivo cerca de personas que usen tales dispositivos médicos. Consulte con su médico antes de usar este producto si usa un dispositivo médico tal.

Nota sobre electricidad estática
La electricidad estática acumulada en el cuerpo puede causar un leve hormigueo en los dedos. Si desea reducir el efecto, utilice ropa fabricada de materiales naturales, que suprimen la generación de electricidad estática.

Precauciones

Sobre las comunicaciones BLUETOOTH®

- La tecnología inalámbrica Bluetooth opera dentro de un rango de alrededor 10 m (30 pies). El alcance máximo de la comunicación puede variar según los obstáculos (personas, objetos metálicos, paredes, etc.) o el entorno electromagnético.
- Es posible que las comunicaciones por Bluetooth no estén habilitadas o puede producirse ruido o pérdida de audio en las siguientes condiciones:
 - Hay una persona entre la unidad y el dispositivo Bluetooth. La situación puede mejorar si se coloca el dispositivo Bluetooth hacia la antena de la unidad.
 - Hay un obstáculo, como un objeto metálico o una pared, entre la unidad y el dispositivo Bluetooth.
 - Hay un dispositivo Wi-Fi o un horno microondas en uso, o se emiten microondas cerca de la unidad.
 - En comparación con su uso en interiores, el uso en exteriores está poco expuesto a la reflexión de la señal de las paredes, los pisos y los techos, lo que provoca que la interrupción del audio se dé con mayor frecuencia que el uso en interiores.
 - La antena está incorporada dentro de la unidad tal como indica la línea punteada en la ilustración. La sensibilidad de las comunicaciones Bluetooth puede mejorar si se quitan los obstáculos entre el dispositivo Bluetooth conectado y la antena de la unidad.



- Los dispositivos Bluetooth y Wi-Fi (IEEE802.11b/g/n) utilizan la misma frecuencia (2,4 GHz). El uso de la unidad cerca de un dispositivo Wi-Fi puede ocasionar interferencia electromagnética y provocar ruidos, pérdidas de audio o dificultad en la conexión. Si esto sucede, intente lo siguiente:
 - Establezca una conexión entre la unidad y el dispositivo Bluetooth cuando estos se encuentren a 10 m (30 pies) del dispositivo Wi-Fi como mínimo.
 - Apague el dispositivo Wi-Fi cuando utilice la unidad a menos de 10 m (30 pies) del dispositivo.
 - Coloque la unidad y el dispositivo Bluetooth tan cerca entre sí como sea posible.

- Las microondas que se emiten desde un dispositivo Bluetooth pueden afectar el funcionamiento de los dispositivos médicos electrónicos. Apague esta unidad y otros dispositivos Bluetooth en las siguientes ubicaciones, ya que pueden causar un accidente:
 - hospitales, cerca de asientos de prioridad en los trenes, lugares donde haya gas inflamable, puertas automáticas o cerca de alarmas contra incendios.

- La reproducción de audio en la unidad puede estar retrasada con respecto a la del dispositivo de transmisión debido a las características de la tecnología inalámbrica Bluetooth. Por lo tanto, la imagen y el sonido podrían estar desalineados al mirar una película o jugar un videojuego.
- Cuando se lo utiliza en el modo inalámbrico, este producto emite ondas de radio.
- Cuando utilice el dispositivo en modo inalámbrico en un avión, siga las instrucciones de la tripulación respecto del uso permitido de productos en modo inalámbrico.

- La unidad admite funciones de seguridad que cumplen con el estándar Bluetooth para ofrecer una conexión segura durante la comunicación con la tecnología inalámbrica Bluetooth. Sin embargo, según los ajustes de configuración y otros factores, es posible que esta seguridad no sea suficiente. Tenga cuidado al usar la comunicación con la tecnología inalámbrica Bluetooth.
- Sony no es responsable por daños o pérdidas por filtración de información que pueda ocurrir durante las comunicaciones Bluetooth.
- No se garantiza la conexión de todos los dispositivos Bluetooth.
- Los dispositivos Bluetooth conectados a esta unidad deben cumplir con el estándar Bluetooth certificado por Bluetooth SIG, Inc. y su cumplimiento debe estar certificado.
- Incluso cuando un dispositivo conectado cumpla con el estándar Bluetooth, puede haber casos en los que las características o especificaciones del dispositivo Bluetooth hagan imposible la conexión o generen métodos distintos de control, visualización y operación.
 - Al usar la unidad para manos libres en una comunicación telefónica, es posible que se escuchen ruidos según el dispositivo conectado o el entorno de la comunicación.
- Según el dispositivo que deba conectarse, puede ser necesario cierto tiempo para iniciar las comunicaciones.

Si el sonido salta con frecuencia durante la reproducción

- La situación se puede mejorar al configurar el modo de la calidad del sonido en "prioridad con conexión estable". Para obtener más detalles, consulte la Guía de ayuda.
- La situación se puede mejorar al cambiar los ajustes de calidad de reproducción inalámbrica o al configurar el modo de reproducción inalámbrica en SBC en el dispositivo transmisor. Para obtener más detalles, consulte las instrucciones de uso incluidas con el dispositivo de transmisión.
- Al escuchar música desde un teléfono inteligente, la situación puede mejorar al certar aplicaciones que no estén en uso o luego de reiniciar el teléfono inteligente.

Uso de aplicaciones de llamada para teléfonos inteligentes y computadoras

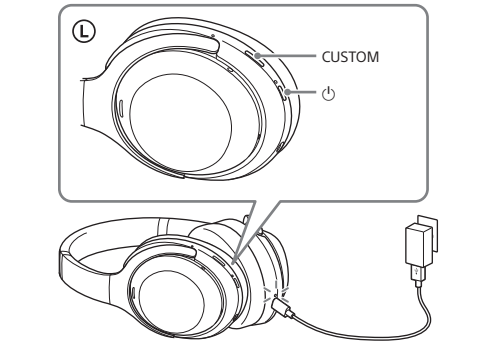
- Esta unidad solo admite llamadas entrantes normales. No se admiten aplicaciones de llamadas para teléfonos inteligentes y computadoras.

Carga de la unidad

- Esta unidad solo se carga mediante USB. Se requiere un puerto USB o un adaptador de ca USB para la carga.
- Asegúrese de utilizar el cable USB Type-C que se suministra.
- Durante la carga, no es posible encender la unidad ni utilizar las funciones Bluetooth o de supresión de ruido.
- Si no utiliza la unidad durante mucho tiempo, la batería recargable podría agotarse rápidamente. La batería podrá mantener una carga apropiada luego de descargarse y recargarse varias veces. Si almacena la unidad durante mucho tiempo, cargue la batería una vez cada seis meses para evitar la descarga excesiva.
- Si la batería recargable se agota muy rápidamente, reemplácela por una nueva. Comuníquese con el distribuidor de Sony más cercano para obtener un reemplazo de la batería.

Si la unidad no funciona correctamente

- Siga estos pasos para reiniciar la unidad.
- Presione los botones ⏻ y CUSTOM al mismo tiempo mientras se carga la unidad. La unidad se reiniciará. El reinicio de la unidad no eliminará la información de emparejamiento.



- Si el problema persiste luego del reinicio de la unidad, inicialice la unidad de la siguiente manera. Desconecte el cable USB Type-C y apague la unidad. Mantenga presionados los botones ⏻ y CUSTOM al mismo tiempo durante al menos siete segundos. El indicador (azul) parpadeará cuatro veces, la unidad se inicializará y se cargarán los ajustes de fábrica. Luego de inicializarse, toda la información de emparejamiento quedará eliminada.
- Luego de que la unidad se inicializa, es posible que no se conecte a su iPhone o computadora. Si esto sucede, elimine la información de emparejamiento de la unidad del iPhone o la computadora y luego vuelva a emparejarlos.

Función de supresión de ruido

- La función de supresión de ruido percibe el ruido de ambiente (como el ruido dentro de un vehículo o el de un acondicionador de aire de una habitación) con los micrófonos incorporados y produce un sonido igual pero opuesto que cancela el ruido de ambiente.
- Es posible que el efecto de supresión de ruido no sea muy perceptible en un entorno silencioso o que se escuche algo de ruido.
- La función de supresión de ruido funciona principalmente para la banda de frecuencias bajas. Si bien disminuye el ruido, este no se elimina completamente.
- Al usar la unidad en un tren o automóvil, puede existir ruido según las condiciones externas.
- Los teléfonos móviles pueden causar interferencia o ruido. Si esto sucede, ubique la unidad más lejos del móvil.
- Según cómo use la unidad, el efecto de supresión de ruido puede variar o escucharse un pitido (chillido). Si esto sucede, quite la unidad y póngala de nuevo.
- No cubra los micrófonos de la unidad con las manos u otros objetos. Esto puede impedir que la función de supresión de ruido o el modo de sonido ambiente funcione correctamente o puede generar un pitido (chillido). Si este sucede, quite las manos o el objeto de los micrófonos de la unidad.



Notas sobre la ubicación de la unidad

- Debido a que los auriculares se ajustan firmemente, forzarlos contra los oídos o tirar de ellos para sacarlos puede causar lesiones en los tímpanos. Al usar auriculares, puede que el diafragma del altavoz produzca un clic. Esto no es una falla.

Notas adicionales

- No exponga la unidad a impactos excesivos.
- Es posible que el sensor de tacto no funcione correctamente si pega calcomanías u otros adhesivos en el panel de control del sensor de tacto.
- Tenga cuidado de no atraparle los dedos al cerrar la unidad.
- Al usar la unidad con los auriculares con cable, use solo el cable de los auriculares incluido. Asegúrese de que el cable de los auriculares esté bien conectado.
- Es posible que la función de Bluetooth no funcione con un teléfono móvil según las condiciones de señal y entorno.
- No aplique peso ni presión sobre la unidad durante mucho tiempo, incluido cuando la guarda ya que puede deformarse.
- Si siente molestia al usar la unidad, interrumpa su uso de inmediato.
- Las almohadillas pueden dañarse o deteriorarse con el uso prolongado y el almacenamiento.

Limpieza de la unidad

- Si el exterior de la unidad se ensucia, límpielo con un paño seco suave.
- Si la unidad se encuentra muy sucia, sumerja un paño en una solución con detergente neutro y escúrralo bien antes de limpiar la unidad. No use solvente como diluyente, bencina o alcohol, ya que estos productos pueden dañar la superficie.
- Si el sensor dentro de la carcasa de la unidad izquierda se empaña o tiene gotas de agua a causa de la condensation o la humedad de la transpiración, etc., la detección de desgaste puede no funcionar correctamente. Cuando el sensor se empaña o tiene gotas de agua, deje el sensor hacia arriba hasta que la humedad desaparezca.

