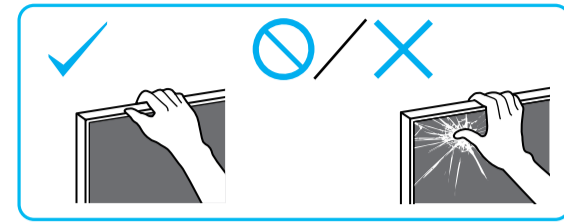
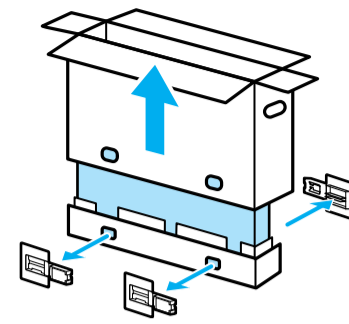
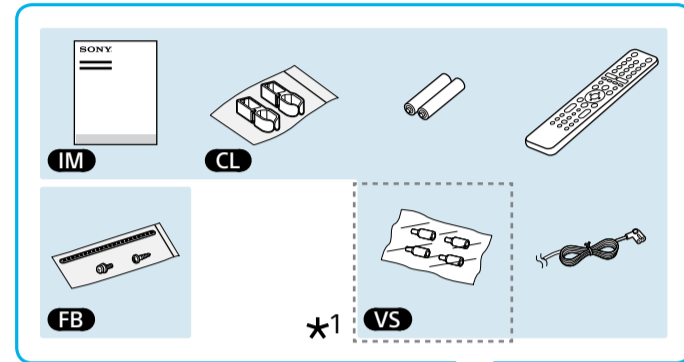


Television

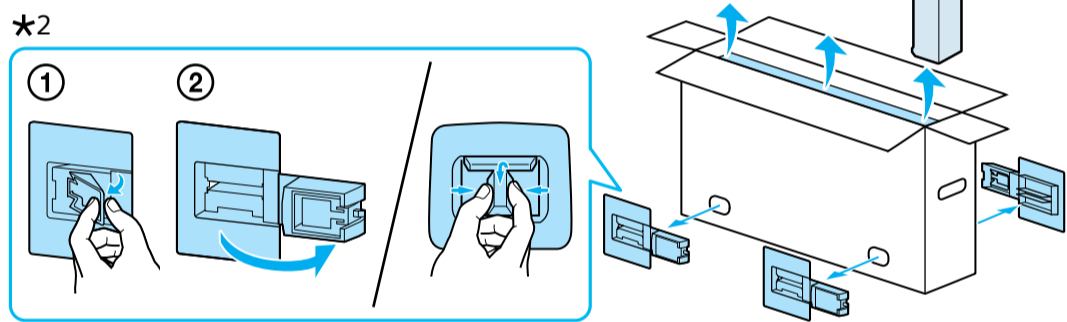
# Setup Guide



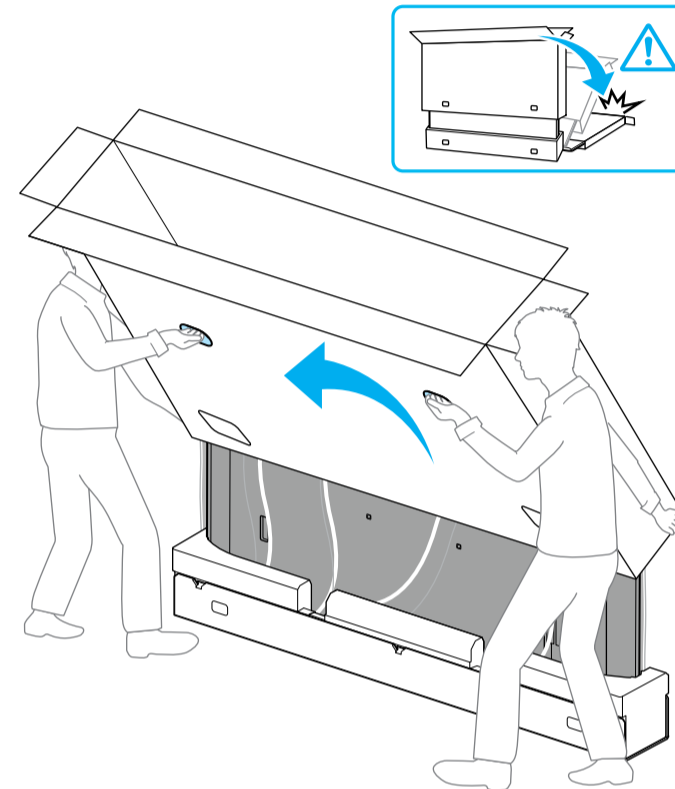
1



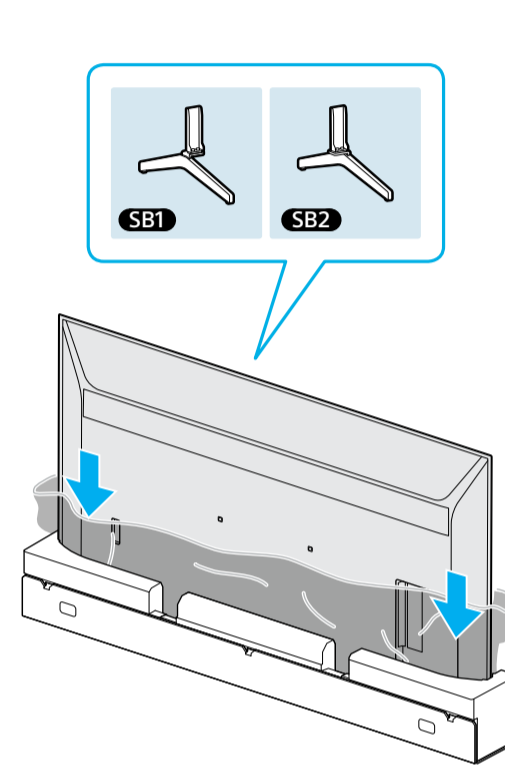
\*2 1.5 N·m/1.5 N·m (15 kgf·cm)



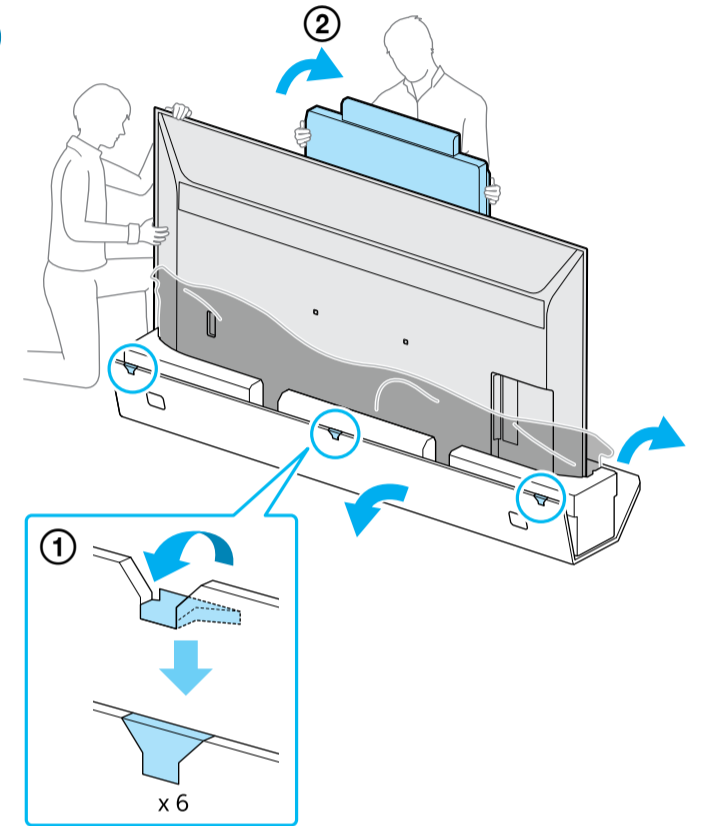
2



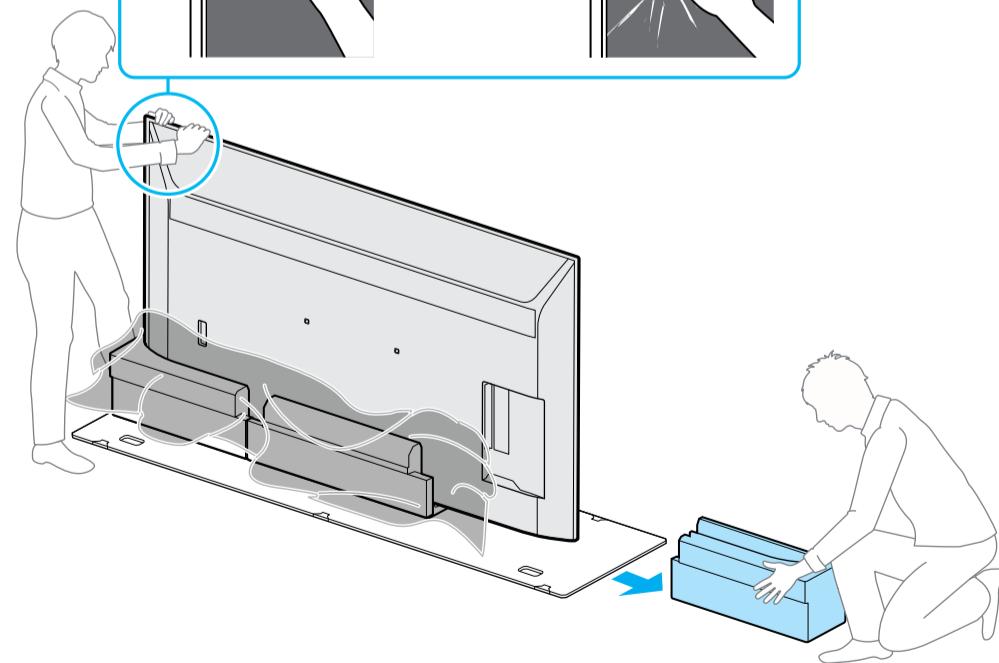
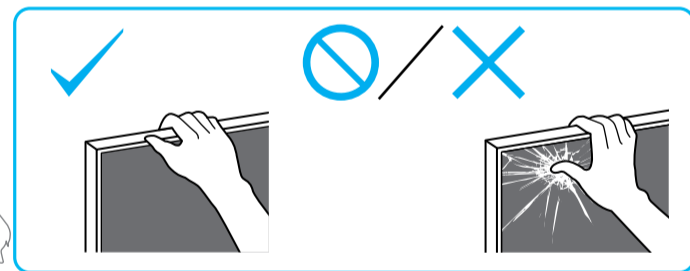
3



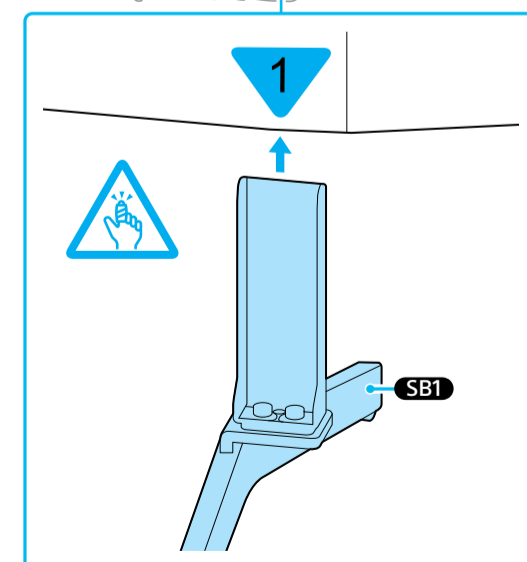
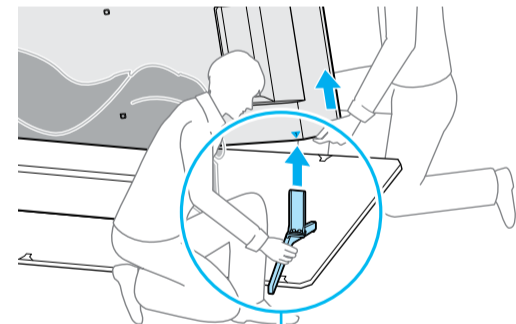
4



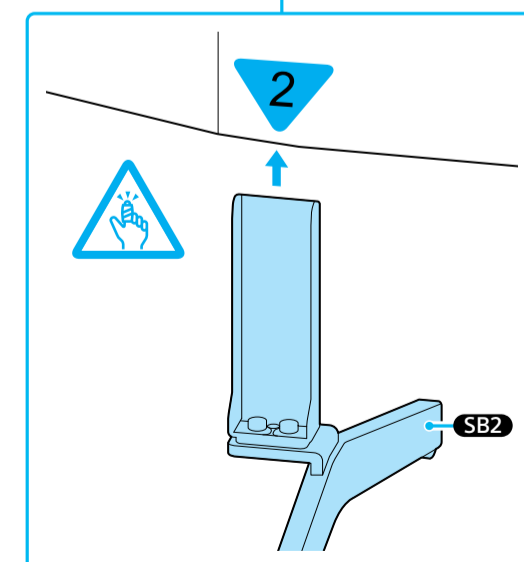
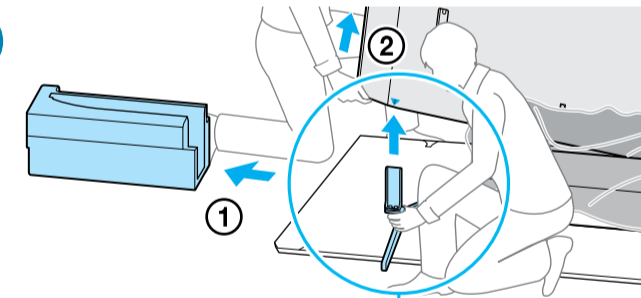
5



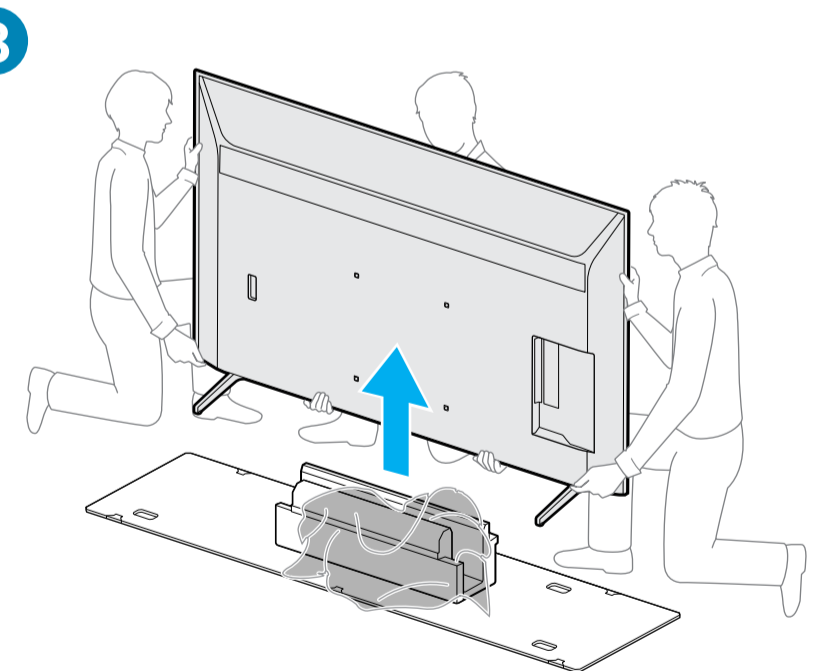
6



7



8

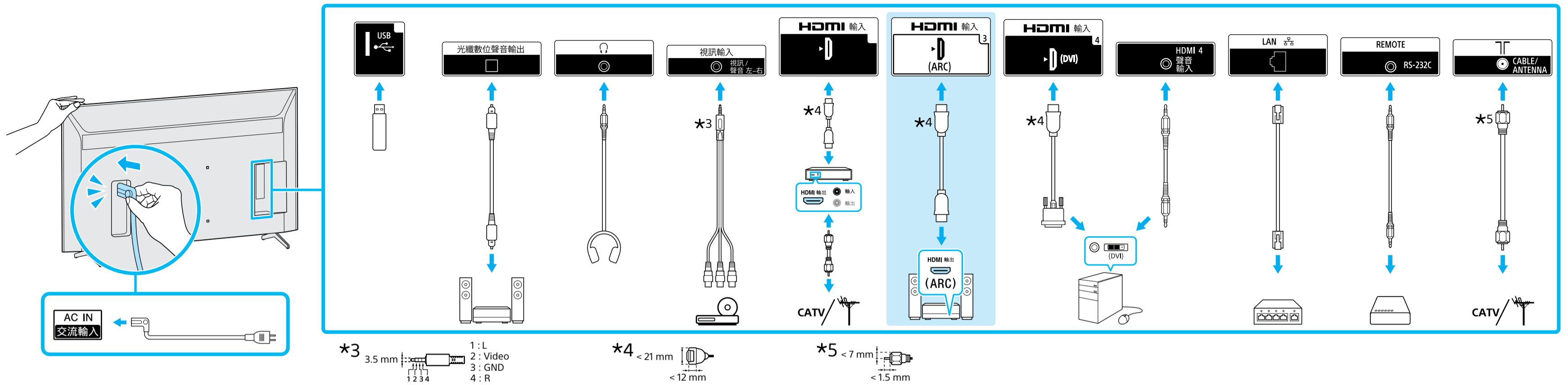


\*1 Refer Reference Guide.

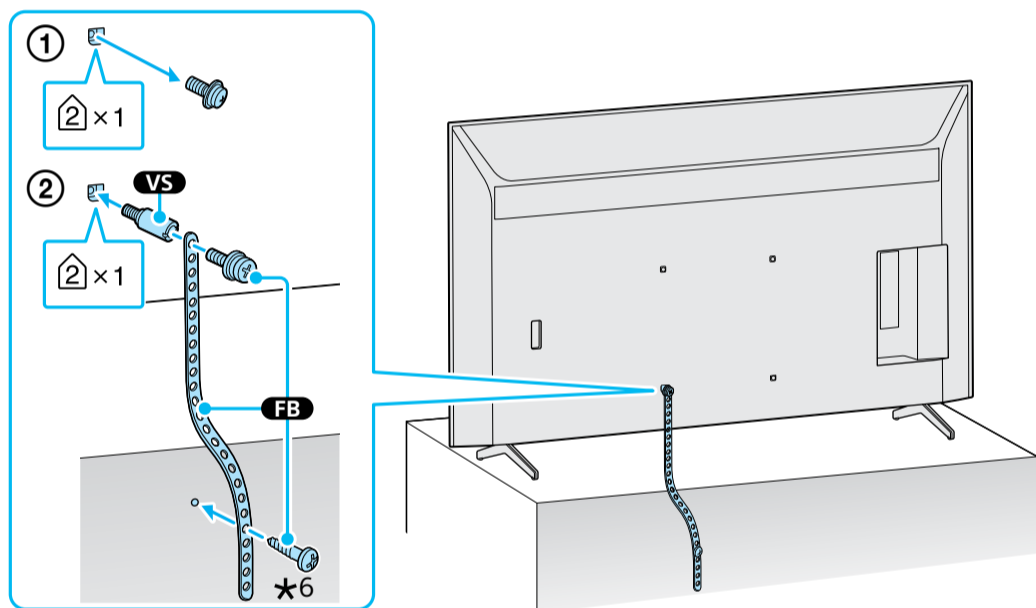
\*2 Only on limited region/country/TV model.



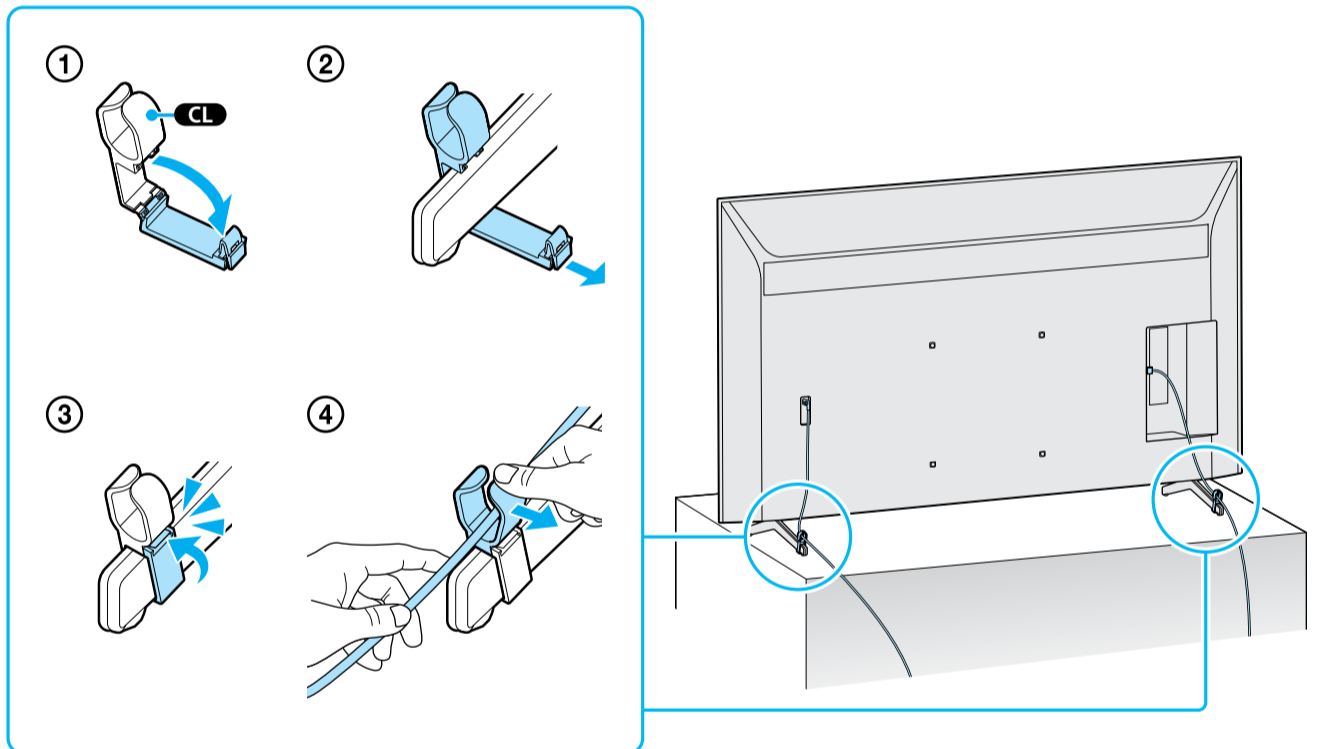
9



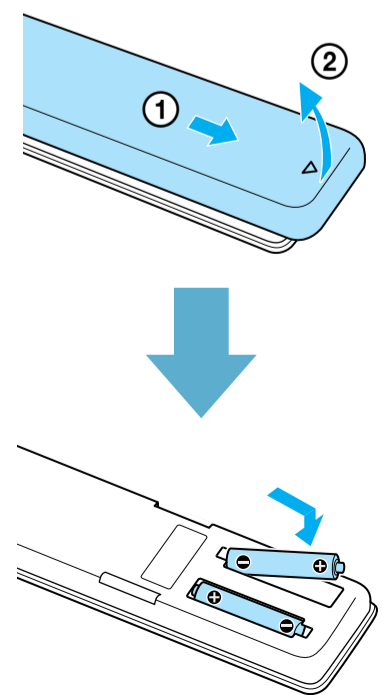
10



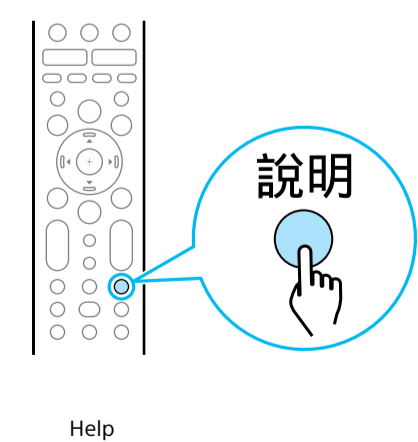
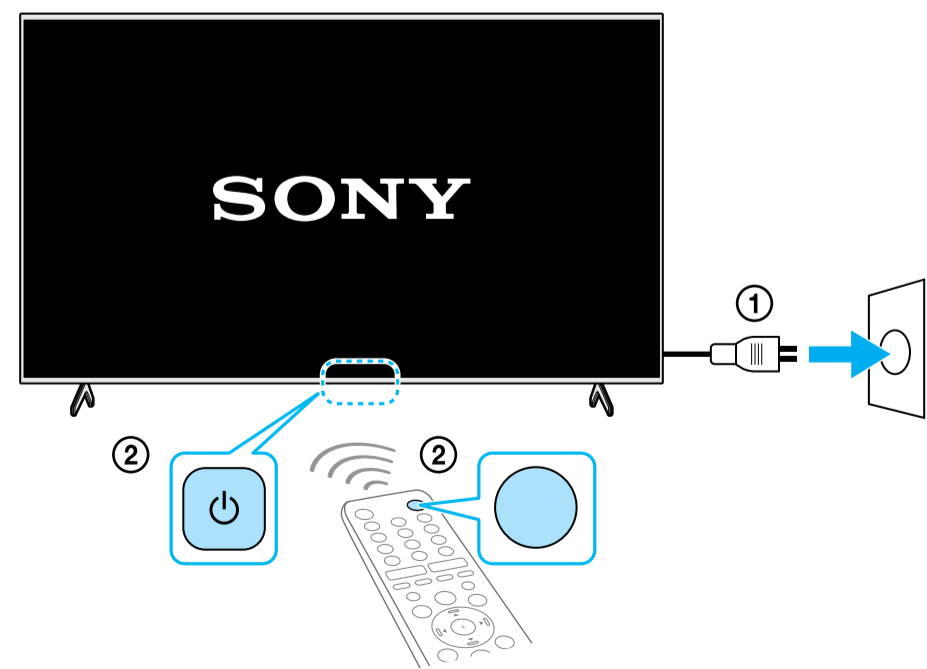
11



12



13



<http://www.sony.net/tv-how-to-videos>

Tips