

# SONY®

5-019-996-61(1)

## ACTIVE SUBWOOFER

Operating Instructions

GB



\* 5 0 1 9 9 9 6 6 1 \* (1)

XS-AW8

For your safety, be sure to install this unit at a mounting location that will not interfere with any driving operations.  
For details, see "Connection and Installation" (page 5).

The nameplate indicating operating voltage, etc., is located on the bottom of the subwoofer.

If you have any questions or problems concerning your unit that are not covered in this manual, consult your nearest Sony dealer.

---

## Features

- Easy installation
- 20 cm (8 in) subwoofer
- Power output of 160 W (max)/75 W (RMS) with supply voltage of 14.4 V
- Adoption of a high rigidity aluminum die-cast box

---

# Table of Contents

Features ..... 2

---

## Guide to Parts and Controls

Subwoofer ..... 4  
Remote Gain Controller ..... 4

---

## Connection and Installation

Parts for Connection and Installation ..... 5  
Connection ..... 5  
Installation ..... 9

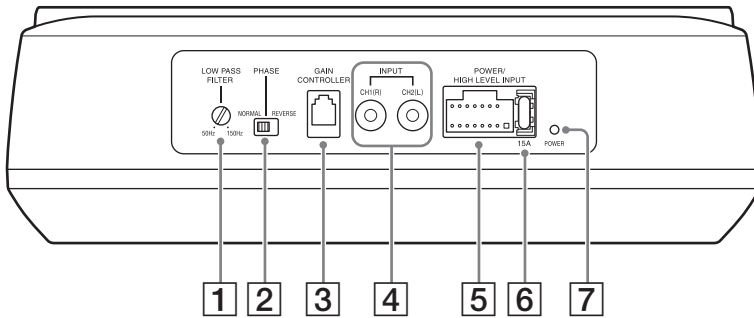
---

## Additional Information

Precautions ..... 11  
Maintenance ..... 11  
Specifications ..... 11  
Troubleshooting ..... 12



### Subwoofer



**1 LOW PASS FILTER adjuster (LP Filter)**

Adjusts the crossover frequency (50 Hz – 150 Hz).

**2 PHASE select (NORMAL/REVERSE)**

Selects the phase of the reproduced sound to match your audio system.

**3 GAIN CONTROLLER connector**

Connector for the remote gain controller (page 4).

**4 INPUT CH1(R)/CH2(L) (RCA pin-type)**

Input connector for Right (R) and Left (L) RCA pin-type cable.

**5 POWER/HIGH LEVEL INPUT connector**

Connector for power supply leads (page 6) and high level input connection (page 7).

**6 Fuse holder (15A)**

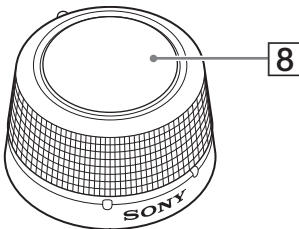
When replacing the fuse, be sure to use one with a 15 A rating.

**7 POWER indicator**

Lights up in green when the subwoofer is powered on.

### Remote Gain Controller

The remote gain controller can be used to adjust the volume (gain) of the subwoofer.



**8 Volume control knob**

Turn the knob clockwise to increase the volume (gain).

Turn the knob counterclockwise to decrease the volume (gain).

**CAUTION**

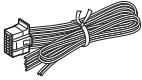
Excessive gain input may cause distortion of the sound produced by the subwoofer. Do not increase the gain level excessively on the remote gain controller.

The sound produced by the subwoofer may also become distorted if the volume of the car audio unit is set too high.

## Connection and Installation

### Parts for Connection and Installation

① Power supply leads (1)



② Mounting bracket (4)



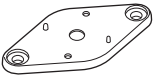
③ Securing screw  
(5 × 8 mm (7/32 × 11/32 in)) (4)



④ Mounting screw  
(5 × 20 mm (7/32 × 13/16 in)) (4)



⑤ Mounting bracket (1)



⑥ Securing screw  
(2 × 5 mm (3/32 × 7/32 in)) (2)



⑦ Mounting screw  
(3 × 12 mm (1/8 × 1/2 in)) (2)



⑧ Double-sided tape (1)



This parts list does not include all the package contents.

## Connection

Please read all the connection procedures carefully before making any connections.

### Power Connections

- This unit is designed for negative ground (earth) 12 V DC operation only.
- Do not operate the subwoofer on a weak battery as the subwoofer requires a good power supply for optimum performance.
- Before making any connections, disconnect the ground (earth) terminal of the car battery to avoid short circuits.
- Connect this unit to the +12 V power supply lead only after all other leads have been connected.
- If your car is equipped with a computer system for a purpose such as navigation, disconnecting the ground (earth) lead from the car battery may damage the computer memory. Leave the ground (earth) lead connected and connect this unit to the +12 V power supply lead only after all other leads have been connected to prevent short circuits.

## Making power connections

Connect the power supply leads ① to the POWER/HIGH LEVEL INPUT connector on the subwoofer.

### Ground (earth) lead

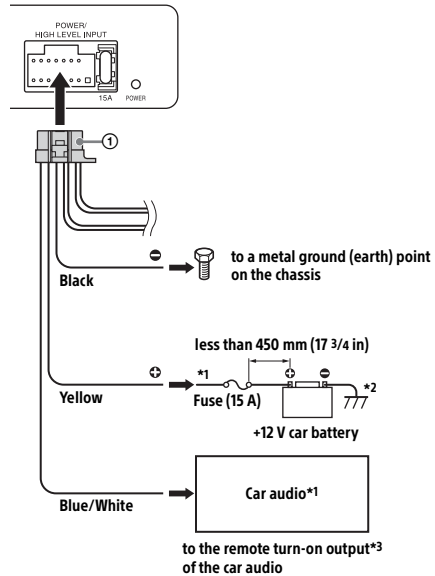
- The ground (earth) lead (GND) is the **black** lead.
- Be sure to connect the ground (earth) lead securely to a bare metal ground (earth) point on the car chassis. A loose connection may cause the unit to malfunction.
- During full-power operation, a current close to 15 A will run through the system. Therefore, make sure the wires to be connected to the ground (earth) lead of this unit are at least 14-Gauge (AWG-14) or have a sectional area of more than  $2 \text{ mm}^2$  ( $3/32 \text{ in}^2$ ).

### Battery extension lead

- The battery extension lead (BATTERY) is the **yellow** lead.
- Connect the battery extension lead to the car battery's +12 V power supply lead with a 15 A fuse attached.
- During full-power operation, a current close to 15 A will run through the system. Therefore, make sure the wires to be connected to the battery extension lead of this unit are at least 14-Gauge (AWG-14) or have a sectional area of more than  $2 \text{ mm}^2$  ( $3/32 \text{ in}^2$ ).
- All power wires connected to the positive battery post should be fused within 450 mm ( $17 \frac{3}{4} \text{ in}$ ) of the battery post before they pass through any metal.
- Make sure the wires connecting from the car battery to the metal ground (earth) point on the car chassis are of a wire gauge at least equal to that of the +12 V power supply lead connected from the battery to the subwoofer.
- If the amperage rating of the fuse used on the +12 V power supply lead of your car battery is less than 15 A (e.g., 10 A), connect to a car system with at least 15 A, or connect the battery extension lead directly to the positive post of the car battery to avoid short circuits.

### Remote turn-on lead

- The remote turn-on lead (REMOTE TURN-ON) is the **blue/white** lead.
- Be sure to connect the remote turn-on lead to the remote turn-on output of the car audio unit.
- If your car audio unit does not have a remote turn-on output, connect the remote turn-on lead to the ACC power supply of your car. Power will be supplied to this lead when the ignition switch of your car is set to the ACC position.
- With high level input connection (page 7), the subwoofer can also be activated without the need for a remote turn-on connection. However, this function is not guaranteed for all car audio units.



\*1 Not supplied

\*2 Ground (earth) to chassis.

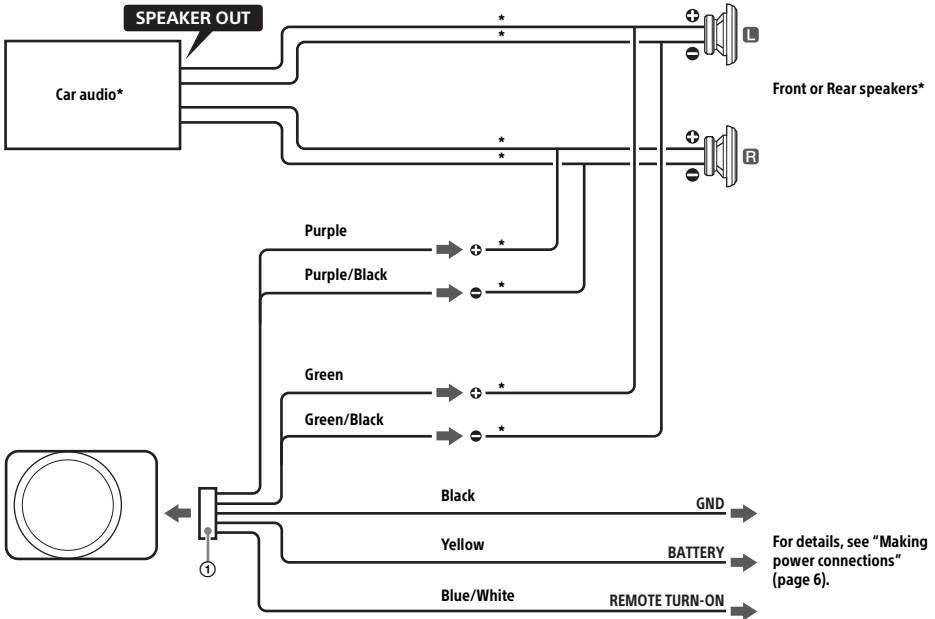
\*3 For car audio unit without a remote turn-on output, connect to the ACC power supply of the car.

## System Connection

The following is a depiction of the system connections typically used to connect the subwoofer to a car audio system. Refer to the operating instructions supplied with your car audio for more details about the system connection for your car audio unit.

### A High level input connection

When connecting to a car audio equipped with speaker output only, connect through the POWER/HIGH LEVEL INPUT connector on the subwoofer using the power supply leads ①.



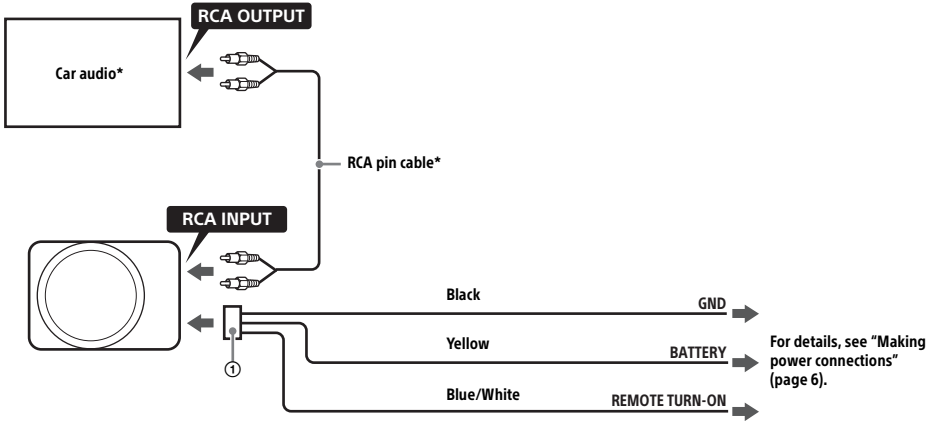
\* Not supplied

#### Notes

- Do not connect the  $\ominus$  terminal of the speaker system to the car chassis, and do not connect the  $\ominus$  terminal of the right speaker with that of the left speaker.
- When installing the input cables, keep them away from the yellow power supply lead. Running them close together may result in interference noise.
- For high level input connection, the subwoofer operates automatically upon receiving an audio signal and turns off automatically if there is no signal for 30 seconds. However, this function is not guaranteed for all car audio units.

## B RCA input connection

When connecting to a car audio equipped with RCA output terminals, connect through the INPUT CH1(R)/CH2(L) connector on the subwoofer using a RCA pin-type cable (not supplied).



\* Not supplied

### Notes

- For RCA input connection, connect the yellow power supply lead as close to the car battery as possible.
- When installing the input cables, keep them away from the yellow power supply lead. Running them close together may result in interference noise.
- Be sure to insulate any loose, unconnected leads with electrical tape for safe measure.
- If noise is present, connect the subwoofer with the **A** high level input connection.

## Remote Gain Controller Connection

Connect the cable of the remote gain controller to the GAIN CONTROLLER connector (page 4) on the subwoofer.



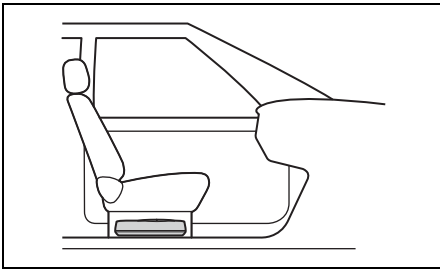
# Installation

- For your safety, select a mounting location that will not interfere with any driving operations.
- Use only the supplied mounting hardware for a safe and successful installation.
- Before drilling holes for installation, make sure there is nothing on the floor and be careful not to damage any pipe or wiring.

## Installing the Subwoofer

- Install the subwoofer in the passenger compartment to ensure an optimal listening experience.
- Mount the subwoofer where it does not interfere with any parts of the car (such as the car battery).
- Do not install the subwoofer near the heater, in areas that get exposed to direct sunlight, under the floor carpet, or in areas subject to high temperature.
- Avoid installing the subwoofer in areas subject to dust, dirt, or excessive vibration.
- Make sure leads do not get trapped under a screw or caught in moving parts (e.g., seat railing).

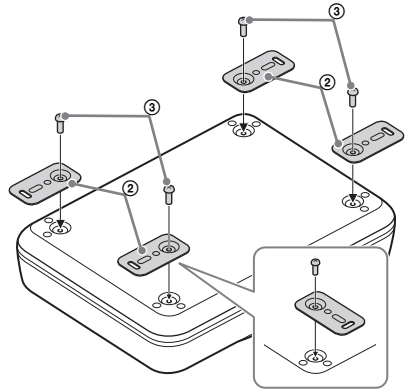
### Mounting example



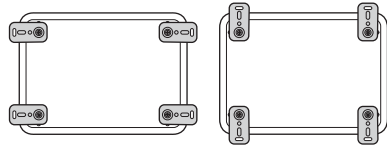
#### Note

If the mounting location in the mounting example is not suitable for your car, choose another mounting location for the subwoofer.

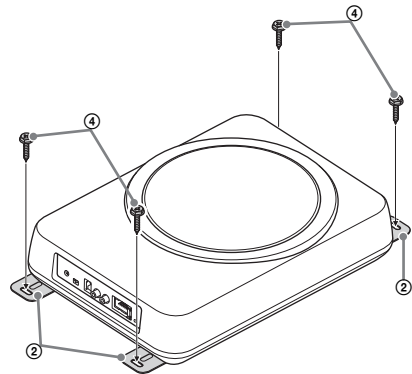
- 1 Secure the mounting brackets (2) to the subwoofer using the securing screws (3). You can secure the mounting brackets (2) horizontally or vertically to suit your needs.



Examples:



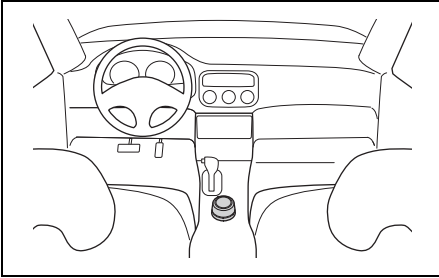
- 2 Mount the subwoofer to your selected mounting location with the mounting screws (4).



## Installing the Remote Gain Controller

- Do not install the remote gain controller near the heater, in areas that get exposed to direct sunlight, or in areas subject to high temperature.
- Avoid installing the remote gain controller in areas subject to dust, dirt, or moisture.
- Install the remote gain controller in a location where:
  - There is a flat surface.
  - The controller does not interfere with the driver's movement.
  - The controller does not hinder the operations of the steering wheel, shift level, or the brake pedal.

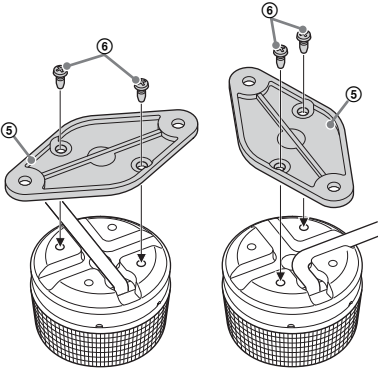
### Mounting example



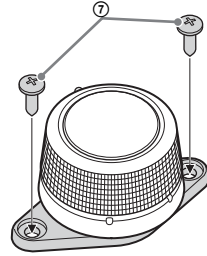
### Installing using the mounting bracket

- 1 Secure the mounting bracket (5) to the remote gain controller using the securing screws (6).

You can secure the mounting bracket (5) horizontally or vertically to suit your needs.



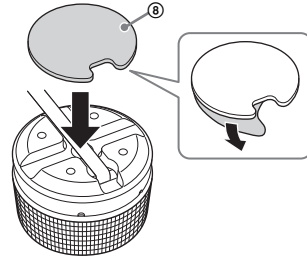
- 2 Mount the remote gain controller to your selected mounting location with the mounting screws (7).



### Installing using the double-sided tape

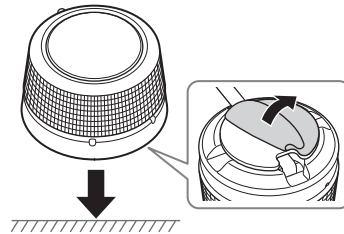
- 1 Apply the double-sided tape (8) to the base of the remote gain controller.

Match the curve of the double-sided tape (8) to that of the remote gain controller as shown below.



- 2 Mount the remote gain controller to a flat surface.

Clean the surface of your selected mounting location with a dry cloth before applying the double-sided tape (8).



## Additional Information

### Precautions

- If your car is parked in direct sunlight and there is a considerable rise in temperature inside the car, allow the subwoofer to cool down before use.
- For safety, keep the volume of the subwoofer at a moderate level that allows you to sufficiently hear the sound of traffic outside the vehicle.
- Do not splash liquid onto the subwoofer.

If you have any questions or problems concerning your unit that are not covered in this Operating Instructions, consult your nearest Sony dealer.

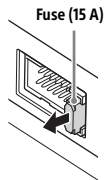
### Maintenance

#### Fuse Replacement

When replacing the fuse, be sure to use one matching the amperage rating stated on the original fuse.

If the fuse blows, check the power connection and replace the fuse.

If the fuse blows again after replacement, there may be an internal malfunction. If this happens, consult your nearest Sony dealer.



#### Warning

Never use a fuse with an amperage rating exceeding the one supplied with the subwoofer as this could damage the subwoofer.

## Specifications

### Speaker section

Woofer: 20 cm (8 in), cone type

### Amplifier section

Maximum power output (supply voltage at 14.4 V):  
160 W

Rated power output (supply voltage at 14.4 V):  
75 W (RMS)

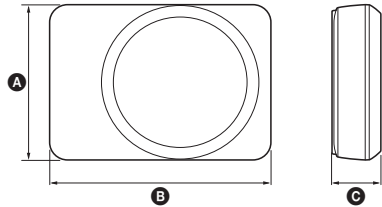
Power requirement:

12 V DC car battery (negative ground (earth))

Rated current: 8 A

### General

Dimensions:



**A** 250 mm (9 7/8 in)

**B** 344 mm (13 5/8 in)

**C** 78 mm (3 1/8 in)

Mass:

Approx. 4.9 kg (10 lb 13 oz) for subwoofer

Package contents:

Subwoofer (1)

Remote gain controller (1)

Parts for connection and installation (1 set)

Design and specifications are subject to change without notice.

---

## Troubleshooting

The following checklist will assist in the correction of most of the problems you may encounter with your unit. Please refer to the connection and operating procedures before going through the checklist below.

---

### The POWER indicator does not light up.

- The fuse is blown.
  - Replace the fuse lead with a new one.
- The ground (earth) lead is not securely connected.
  - Fasten the ground (earth) lead securely to a bare metal ground (earth) point on the car chassis.
- The voltage going into the remote turn-on lead (REMOTE TURN-ON) is too low.
  - Turn on the car audio unit if it is not turned on.
  - Use a relay if there are too many amplifiers installed within the system.
- Make sure the battery voltage is between 10.5 V – 16 V.

---

### Noise can be heard from the alternator.

- The battery extension leads are installed too close to the RCA pin cables or the high level input cables.
  - Keep the leads away from the cables.
- The ground (earth) lead is not securely connected.
  - Fasten the ground (earth) lead securely to a bare metal ground (earth) point on the car chassis.

---

### The subwoofer sound is too soft.

- The volume of the car audio unit and/or the subwoofer is set too low.
  - Increase the volume of the subwoofer and/or the car audio unit.

---

### There is no sound.

- The PHASE select switch is not correctly set (i.e., has been set between the settings).
  - Properly set the switch on the subwoofer to either NORMAL or REVERSE.
- The volume of the car audio unit and/or the subwoofer has been set to minimum.
  - Increase the volume of the subwoofer and/or the car audio unit.
- The subwoofer is not properly connected.
  - Make sure all the subwoofer connections have been made correctly.

If these solutions do not help improve the situation, consult your nearest Sony dealer.







## Support site

If you have any questions or for the latest support information on this product, please visit the web site below:

<https://www.sony-asia.com/support>