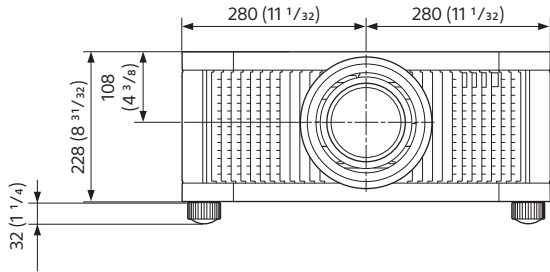
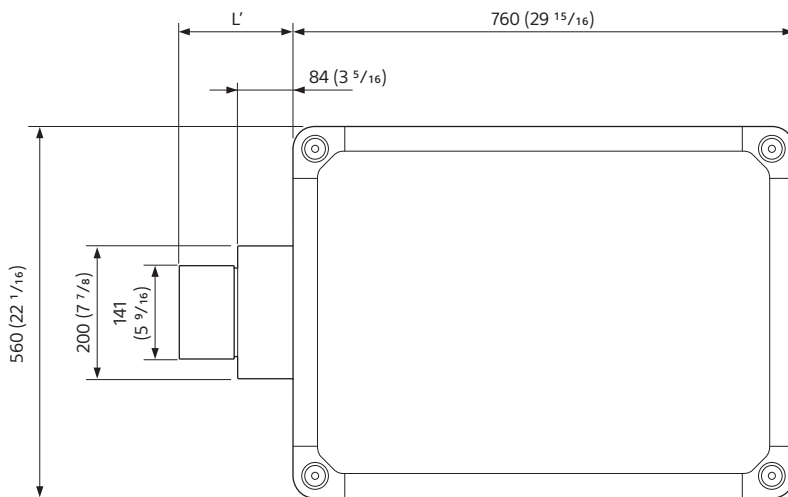


Dimensions

Front

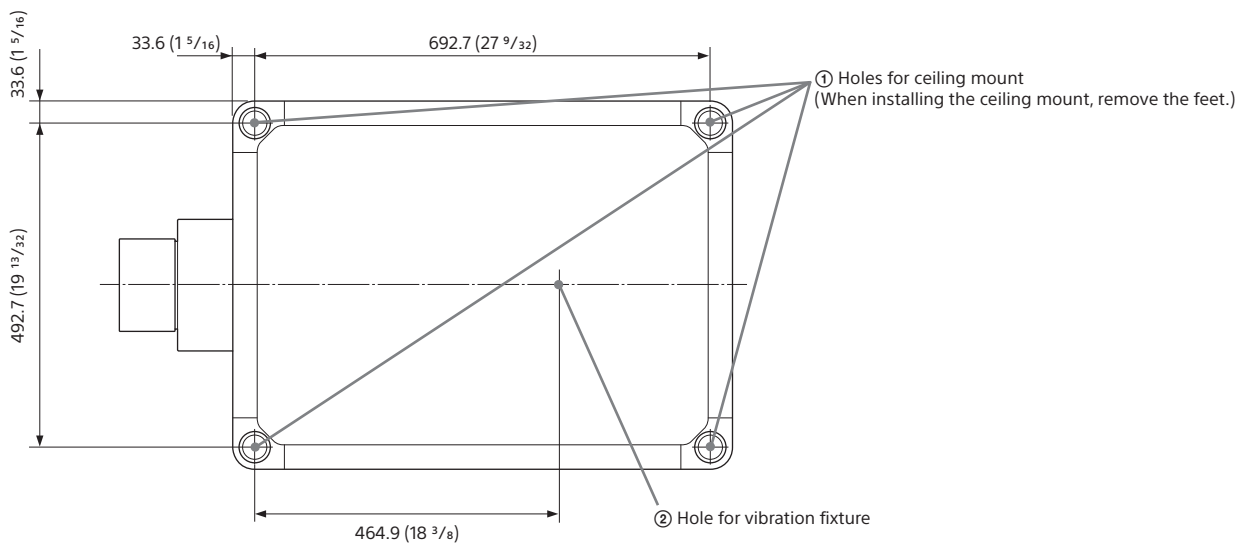


Top



L': The distance between the front of the lens (center) and the front of the cabinet
 VPLL-Z8008: 175 mm (6 7/8 inches) (Tele) to 184 mm (7 1/4 inches) (Wide)
 VPLL-Z8014: 173 mm (6 13/16 inches)

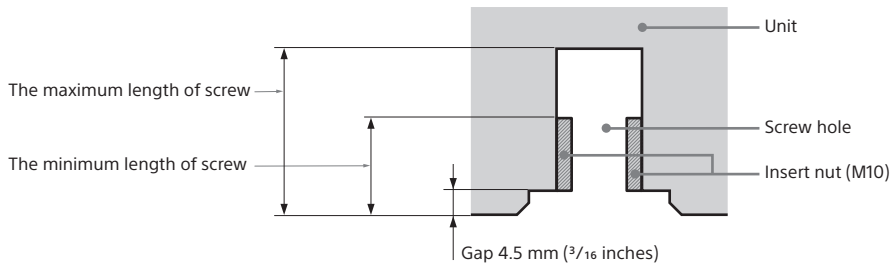
Bottom



① Holes for ceiling mount

Use the screws with a length of 22 mm ($\frac{7}{8}$ inches, minimum) to 50 mm (2 inches, maximum) for the ceiling mount.

Recommended tightening torque: 12.5 N·m



② Hole for vibration fixture

Use a screw with a length of 13.1 mm ($\frac{17}{32}$ inches, minimum) to 30 mm ($1\frac{3}{16}$ inches, maximum) for the vibration fixture.

Recommended tightening torque: 12.5 N·m

