

Sound Bar

Reference Guide

https://rd1.sony.net/help/ht/2079/h_zz/



©2022 Sony Corporation
Printed in China
<https://www.sony.net/>



* 5 0 4 5 3 8 0 2 1 * (1)

HT-S2000

Model: YY2079C

Before using the unit, be sure to access the following URL and read the End User License Agreement (EULA). The content of the agreement also applies to speakers (available separately) connected to the unit (unless those speakers have a separate license agreement).
https://rd1.sony.net/help/vs/ei22/h_zz/

Model: YY2079C

The term "product" in this document refers to the unit or its accessories.

Do not install the product in a confined space, such as a bookcase or built-in cabinet.

To reduce the risk of fire, do not cover the ventilation opening of the unit with newspapers, tablecloths, curtains, etc. Do not expose the unit to naked flame sources (for example, lighted candles).

To reduce the risk of fire or electric shock, do not expose this product to dripping or splashing, and do not place objects filled with liquids, such as vases, on the product.

The AC adaptor is not disconnected from the AC power source (mains) as long as it is connected to the wall outlet, even if the unit itself has been turned off.

As the main plug of the AC adaptor is used to disconnect the AC adaptor from the mains, connect it to an easily accessible AC outlet. Should you notice an abnormality in it, disconnect it from the AC outlet immediately.

For Remote Commander

CAUTION

Risk of explosion if battery is replaced by an incorrect type.

Dispose of used batteries according to local rules and regulations.

Do not expose the batteries (battery pack or batteries installed) to excessive heat, such as sunshine, fire or the like for a long time.

This product (including accessories) has magnet(s) which may interfere with pacemakers, programmable shunt valves for hydrocephalus treatment, or other medical devices. Do not place this product close to persons who use such medical devices. Consult your doctor before using this product if you use any such medical device.

The nameplate and important information concerning safety are displayed on the bottom of the following:

- the sound bar
- the AC adaptor

For customers in Australia or New Zealand

This product must be installed and operated with at least 20 cm separation between the radiating element and the human body (excluding extremities: hands, wrists, feet and ankles).

This unit has been tested and found to comply with the limits set out in the EMC regulation using a connection cable shorter than 3 m.

The validity of the CE marking is restricted to only those countries/regions where it is legally enforced, mainly in the EEA (European Economic Area) countries/regions and Switzerland.

The validity of the UKCA marking is restricted to only those countries/regions where it is legally enforced, mainly in the UK.

Use only the supplied AC adaptor. To avoid damaging the unit, do not use any other AC adaptor.



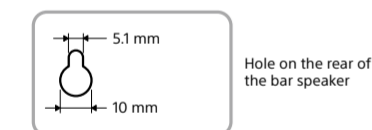
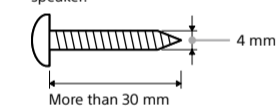
Disposal of old electrical & electronic equipment (applicable in the European Union and other countries with separate collection systems)

Mounting the Bar Speaker on a Wall

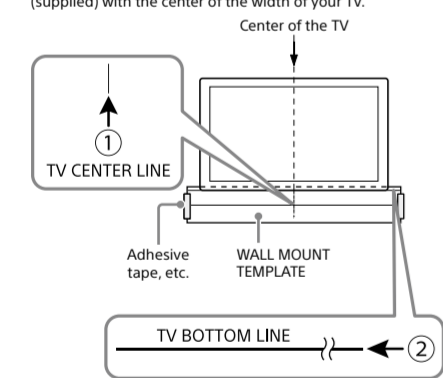
Note

- Prepare screws (not supplied) that are suitable for the wall material and stability. Depending on the wall material, the wall may be damaged.
- Fasten the screws securely in the wall beam.
- Hang the bar speaker horizontally on the reinforced wall.
- Have the installation done by a Sony dealer or licensed contractor and pay special attention to safety during the installation.
- Sony shall not be held responsible for accidents or damage caused by improper installation, insufficient wall stability, improper screw installation, natural disasters, etc.
- Two or more persons are required to hang the bar speaker for safety.

- 1 Prepare two screws (not supplied) that are suitable for the wall mount holes on the rear of the bar speaker.

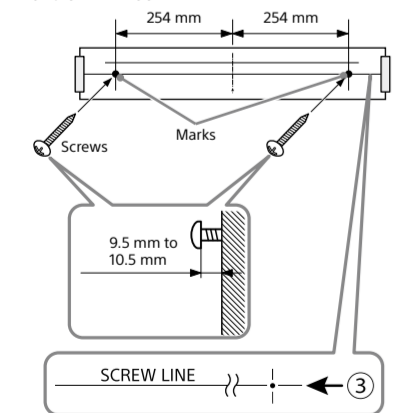


- 2 Align the vertical line above the "• ① TV CENTER LINE" printed on the WALL MOUNT TEMPLATE (supplied) with the center of the width of your TV.



- 3 Align the "• ② TV BOTTOM LINE" printed on the WALL MOUNT TEMPLATE with the bottom of your TV, then adhere the WALL MOUNT TEMPLATE on the wall with a commercially available adhesive tape, etc.

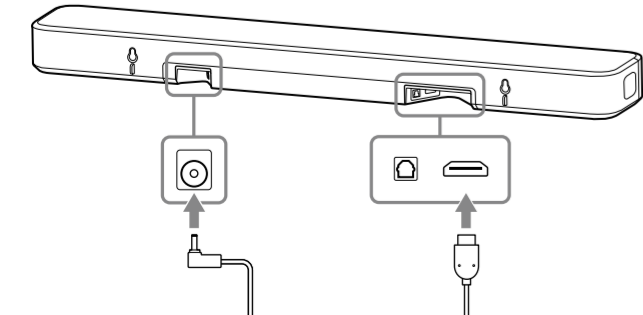
- 4 Fasten the screws prepared in step 1 securely into the screw marks on the "• ③ SCREW LINE" printed on the WALL MOUNT TEMPLATE.



- 5 Remove the WALL MOUNT TEMPLATE.

- 6 Connect cables to the bar speaker.

- ① Connect the HDMI cable (supplied) to the HDMI OUT (TV (eARC/ARC)) jack on the bar speaker.
- ② Connect the AC adaptor (supplied) to the DC IN terminal on the bar speaker and then the AC power cord (mains lead) (supplied) to the AC adaptor.

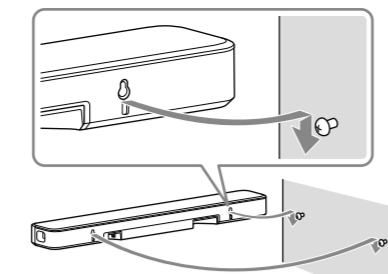


Note

- If your TV is not compatible with eARC or ARC, connect the optical digital cable (not supplied) besides the HDMI cable (supplied).
- For TV connections, refer to Help Guide.

Hang the bar speaker on the screws.

Align the holes of the rear of the bar speaker with the screws, then hang the bar speaker on the two screws.



Note

- When adhering the WALL MOUNT TEMPLATE on the wall, smooth it out fully.
 - Install the bar speaker apart from the TV by 70 mm or more.
- 8 Connect the HDMI cable (supplied) to the HDMI IN jack on the TV.
 - 9 Connect the AC power cord (mains lead) connected with the bar speaker to the AC outlet (mains).

Licenses

- Dolby, Dolby Atmos, Dolby Audio, and the double-D symbol are trademarks of Dolby Laboratories Licensing Corporation.
- Manufactured under license from Dolby Laboratories. Confidential unpublished works. Copyright © 1992-2021 Dolby Laboratories. All rights reserved.
- For DTS patents, see <http://patents.dts.com>.
- Manufactured under license from DTS, Inc., DTS, DTS-X, and the DTS:X logo are registered trademarks or trademarks of DTS, Inc. in the United States and other countries. © 2022 DTS, Inc. ALL RIGHTS RESERVED.
- This product is protected by certain intellectual property rights of Microsoft Corporation. Use or distribution of such technology outside of this product is prohibited without a license from Microsoft or an authorized Microsoft subsidiary.
- This product contains software that Sony uses under a licensing agreement with the owner of its copyright. We are obligated to announce the contents of the agreement to customers under requirement by the owner of copyright for the software. Please access the following URL and read the contents of the license.
<https://rd1.sony.net/help/ht/sl/v1/23/>
- The software included in this product contains copyrighted software that is licensed under the GPL/LGPL, and other licenses which may require access to source code. You may find a copy of the relevant source code as required under the GPL/LGPL (and other licenses) at the following URL.
You may obtain the source code as required by the GPL/LGPL on a physical medium from us for a period of three years after our last shipment of this product by applying through the form at the following URL.
This offer is valid to anyone in receipt of this information.
<https://oss.sony.net/Products/Linux>
Please note that Sony cannot answer or respond to any inquiries regarding the content of this source code.

Disclaimer regarding services offered by third parties

- Services offered by third parties may be changed, suspended, or terminated without prior notice. Sony does not bear any responsibility in these sorts of situations.

Precautions

- Before operating the unit, check that the operating voltage is identical to your local power supply. The operating voltage is indicated on the nameplate on the bottom of the unit.
- The supplied AC adaptor is designed exclusively for this unit. It should not be used in combination with any other devices.
- Completely disconnect the AC power cord (mains lead) from the AC outlet (mains) if it is not going to be used for an extended period of time. When unplugging the AC power cord (mains lead), always grip the plug. Never pull the cord itself.
- AC power cord (mains lead) must be changed only at a qualified service shop.

On placement

- Should any solid object or liquid fall into the unit, unplug the unit and have it checked by qualified personnel before operating it any further.
- Do not place the unit near heat sources or in a place subject to direct sunlight, excessive dust, or mechanical shock.
- The speakers of this unit are not of magnetically shielded type. Do not place magnetic cards on the unit or near it.
- Do not place metal objects other than a TV around the unit. Wireless functions may be unstable.
- Although the unit heats up during operation, this is not a malfunction.
- Place the unit in a location with adequate ventilation to prevent heat buildup and prolong the life of the unit.
- Use caution when placing the unit on a surface that has been specially treated (with wax, oil, polish, etc.), as staining or discoloration of the surface may result.

How to care for the unit

- Clean the unit with a soft, dry cloth. Do not use any type of abrasive pad, scouring powder, or solvent such as alcohol or benzene.

On BLUETOOTH® communications

- Microwaves emitting from a BLUETOOTH device may affect the operation of electronic medical devices. Turn off this unit and other BLUETOOTH devices in the following locations, as it may cause an accident:
 - in hospitals, near priority seating in trains, locations where inflammable gas is present, near automatic doors, or near fire alarms.

Turning the BLUETOOTH and Wireless LAN functions on/off

- Touch and hold → (Input) and Ⓚ (BLUETOOTH) on the unit for about 5 seconds to turn off the BLUETOOTH and Wireless LAN functions. [BT POWER] appears on the front panel display and then [OFF] appears.
- Touch and hold → (Input) and Ⓚ (BLUETOOTH) on the unit again for about 5 seconds to turn on the BLUETOOTH and Wireless LAN functions. [BT POWER] appears on the front panel display and then [ON] appears.

Other notes

- Deactivating the [Auto Standby] function will increase the energy consumption of the product.
- When connecting the unit to the Internet, use the router (ADSL modem or optical line termination device with the router function supplied with the Internet provider, or Wi-Fi access point). If you connect to the Internet without using the router, a security problem may occur. If you are not sure that the wall outlet for the network line has the router function, ask your manager of the apartment house or Internet provider.
- If you have any questions or problems concerning this unit that are not covered in this manual, please consult your nearest Sony dealer.

Trademarks

- Windows Media is either a registered trademark or trademark of Microsoft Corporation in the United States and/or other countries.
- The BLUETOOTH® word mark and logos are registered trademarks owned by Bluetooth SIG, Inc. and any use of such marks by Sony Group Corporation and its subsidiaries is under license.
- The terms HDMI™, HDMI High-Definition Multimedia Interface, and the HDMI Logo are trademarks or registered trademarks of HDMI Licensing Administrator, Inc.

All other trademarks and registered trademarks are trademarks or registered trademarks of their respective holders. In this manual, TM and ® marks are not specified.

Specifications

Sound Bar (HT-S2000)

Amplifier section

POWER OUTPUT (rated)

Front L + Front R speaker blocks: 37 W + 37 W (at 6 ohms, 1 kHz 1 %THD)

Center speaker blocks: 37 W (at 6 ohms, 1 kHz 1 %THD)

Subwoofer blocks: 37 W + 37 W (at 6 ohms, 100 Hz 1 %THD)

POWER OUTPUT (reference)

Front L/Front R speaker blocks: 50 W (per channel at 6 ohms, 1 kHz)

Center speaker blocks: 50 W (at 6 ohms, 1 kHz)

Subwoofer blocks: 50 W (per channel at 6 ohms, 100 Hz)

HDMI Section

Connector

Type A (19pin)

USB section (For service use only)

FOR SERVICE port

Type A (For connecting USB memory)

Wireless LAN section

Communication system

IEEE 802.11 a/b/g/n/ac

Frequency band

2.4 GHz, 5 GHz

BLUETOOTH section

Communication system

BLUETOOTH Specification version 5.2

Frequency band

2.4 GHz band (2.400 0 GHz - 2.483 5 GHz)

General

Power requirements

DC 25 V (using the supplied AC adaptor connected to AC 100 V - 240 V, 50 Hz/60 Hz power supply)

Power consumption

On: 42.0 W

[Network/Bluetooth Standby] is set to ON: Less than 2.0 W

[Network/Bluetooth Standby] is set to OFF: Less than 0.5 W

Dimensions* (approx.) (w/h/d)

800 mm × 64 mm × 124 mm

* Not including projection portion

Mass (approx.)

3.7 kg

Wireless Transmitter/Receiver Section

Communication system

Wireless Sound Specification version 4.0

Frequency band

5 GHz

Included Items

- Sound Bar (1)
- Remote control (1)
- R03 (size AAA) battery (2)
- WALL MOUNT TEMPLATE (1)
- HDMI cable (supports the specification equal to High Speed HDMI Cable with Ethernet) (1)
- AC adaptor (1), AC power cord (mains lead) (1)
- Reference Guide (This manual)

Design and specifications are subject to change without notice.

