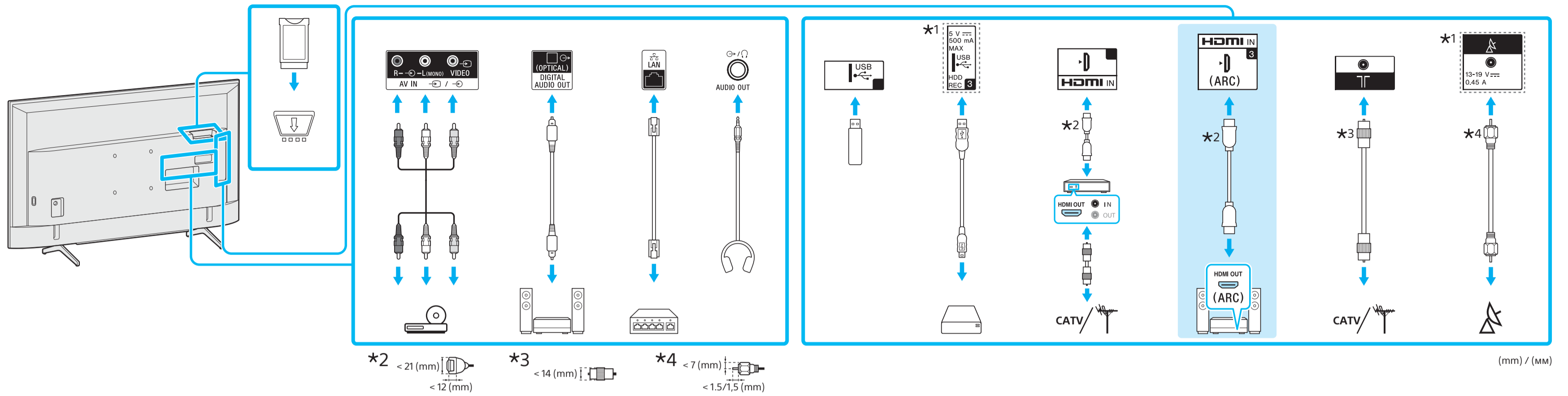


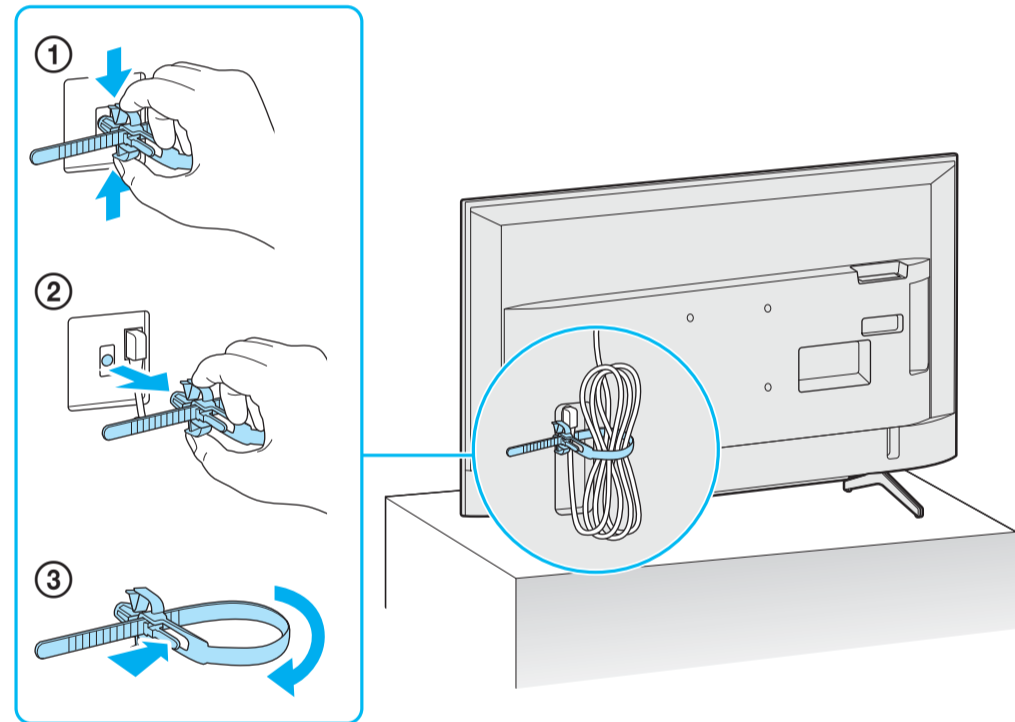


9

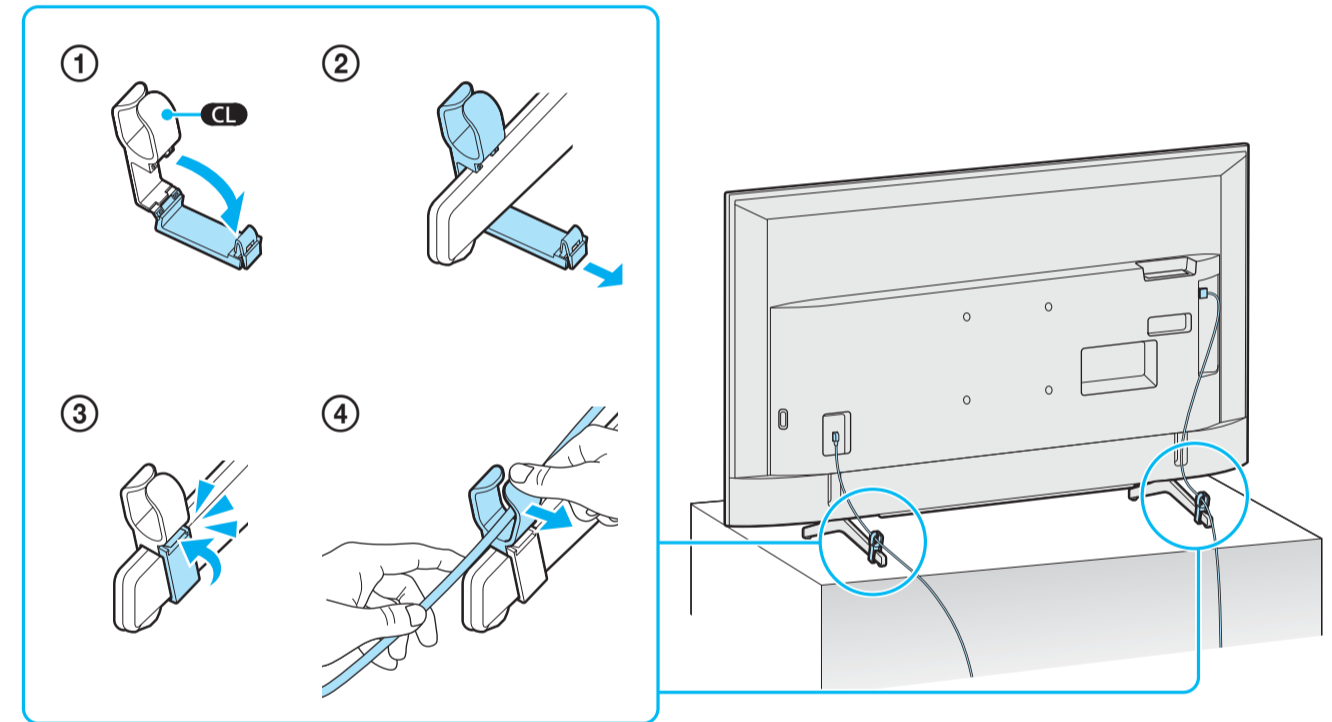


(mm) / (mm)

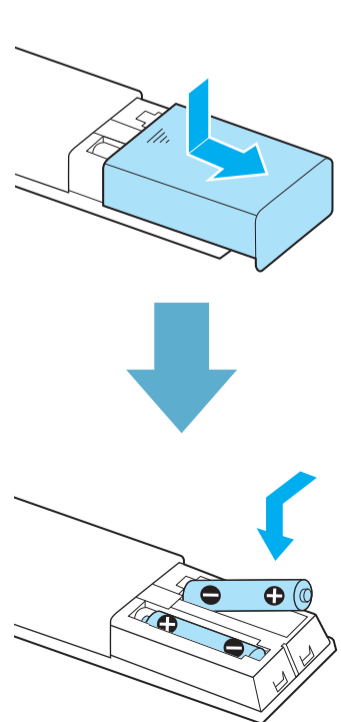
10



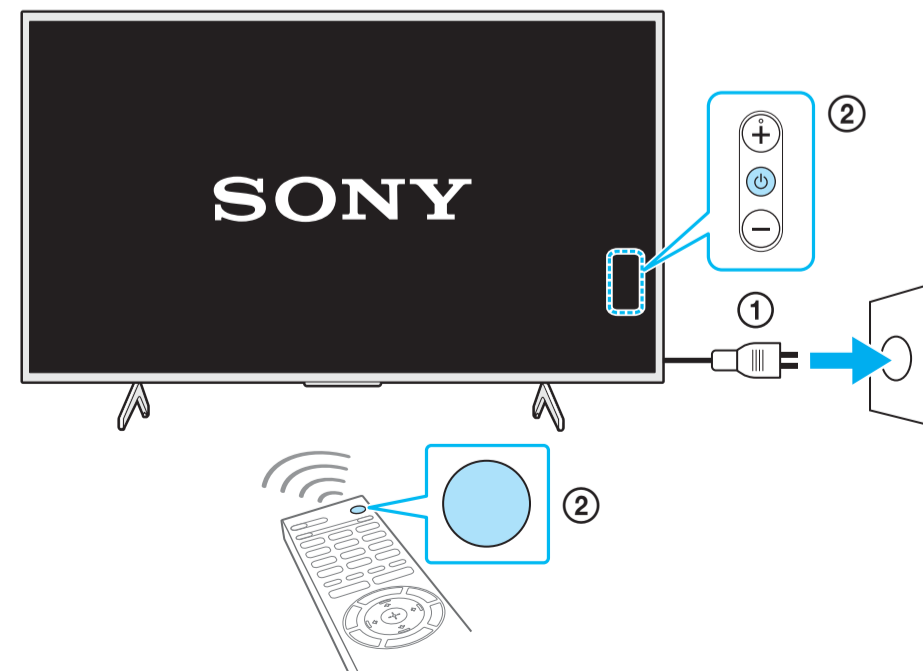
11



12



13



HOME



Help Guide