

SONY®

User guide

Bluetooth® Speaker
BSP10

Contents

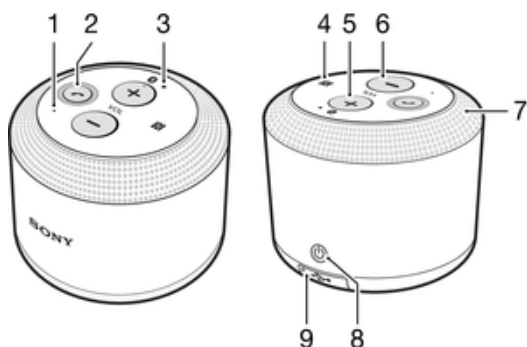
| | |
|--------------------------------------------------------------|----------|
| Introduction | 3 |
| Function overview..... | 3 |
| Hardware overview..... | 3 |
| Notification light status..... | 3 |
| Charging | 4 |
| To charge your accessory..... | 4 |
| Getting started | 5 |
| Preparing your accessory for use with an Xperia™ device..... | 5 |
| Disconnecting and reconnecting | 6 |
| Disconnection and reconnection methods..... | 6 |
| Troubleshooting | 7 |
| I cannot answer a second call..... | 7 |
| The BSP10 accessory turns off unexpectedly..... | 7 |
| Unexpected behaviour..... | 7 |
| I can't pair a second device with my BSP10 accessory..... | 7 |
| No connection between BSP10 and an Xperia™ device..... | 7 |
| Legal information | 8 |
| Declaration of Conformity for BSP10..... | 8 |

Introduction

Function overview

The BSP10 Bluetooth® Speaker accessory lets you enjoy high-quality audio and make conference calls both indoors and outdoors.

Hardware overview



- 1 Microphone
- 2 Call button
- 3 Bluetooth notification light
- 4 NFC detection area
- 5 Volume up button
- 6 Volume down button
- 7 Speaker
- 8 Power button
- 9 Power notification light/Cover for micro USB port

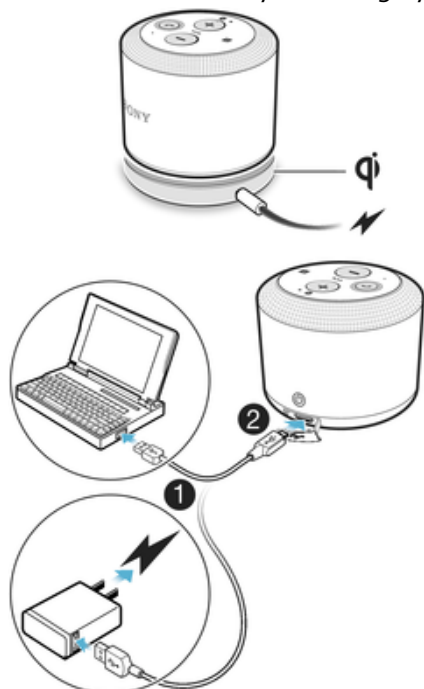
Notification light status

- | | |
|--------------------|-----------------------------------------------------------------------------------------------|
| Flashing rapidly | Pairing mode – The BSP10 accessory is ready to pair with an Xperia™ device |
| Steady blue light | The BSP10 accessory is paired with an Xperia™ device |
| Steady white light | Standby mode – The BSP10 accessory is ready to connect with a previously paired device |

Charging

To charge your accessory

There are two ways to charge your accessory:



- Place the **BSP10** accessory on any wireless charging plate which supports the Qi inductive power standard.
- Using a USB cable, connect the **BSP10** accessory to a power source.

Getting started

Preparing your accessory for use with an Xperia™ device

Before you can use your **BSP10** accessory with an Xperia™ device, for example, to play music or handle incoming calls, you must first pair the two devices. You can pair your **BSP10** accessory with an Xperia™ device using either the Bluetooth® or NFC functions. Once the devices are paired, your **BSP10** accessory automatically establishes a connection with the Xperia™ device.

To pair the BSP10 with an Xperia™ device using NFC




- 1 **Xperia™ device:** Make sure that the NFC function is turned on and that the screen is active and unlocked.
- 2 **BSP10:** Press and hold down the power button until you hear a beep and a blue notification light flashes rapidly.
- 3 Position your Xperia™ device in such a way that the NFC detection area of each device touches the other. When the BSP10 accessory is successfully paired with the Xperia™ device, the notification light turns solid blue.

To pair the BSP10 with an Xperia™ device using Bluetooth®

- 1 **Xperia™ device:** Make sure the Bluetooth® function is turned on.
- 2 **BSP10:** Press and hold down the power button until you hear a beep and a blue notification light flashes rapidly.
- 3 **Xperia™ device:** Search for and connect to the **BSP10** accessory. When the accessory is successfully paired with the Xperia™ device, the notification light turns solid blue.

To answer incoming calls with the BSP10

- 1 Make sure the **BSP10** accessory is connected with an Xperia™ device that supports call handling.
 - 2 When a call comes in, press .
- ! The calling function is not supported for VoIP (Voice-over-Internet Protocol) calls.

To listen to music with the BSP10

- 1 Make sure the **BSP10** accessory is connected with an Xperia™ device.
- 2 Play an audio or video file on the Xperia™ device. The sound is automatically played through the speakers of the paired **BSP10** accessory.

Disconnecting and reconnecting

Disconnection and reconnection methods

There are several ways to disconnect your Xperia™ device from or reconnect it with your **BSP10** accessory. You can only have one Xperia™ device connected with your accessory at any one time. To pair and connect with a second device, you must first disconnect the currently connected Xperia™ device.

To disconnect a paired Xperia™ device from the BSP10

Perform one of the following actions:

- On the Xperia™ device, deselect **BSP10** in the list of paired Bluetooth® devices.
- Place the Xperia™ device over the **BSP10** accessory so that the NFC detection area of each device touches the other. The accessory goes into pairing mode and the currently paired Xperia™ device gets disconnected.
- On the **BSP10** accessory, short press the volume up and down buttons at the same time. The accessory goes into pairing mode and the currently paired Xperia™ device gets disconnected.

To reconnect a previously paired Xperia™ device with the BSP10

Perform one of the following actions:

- On the Xperia™ device, select **BSP10** in the list of paired Bluetooth® devices.
- Place the previously paired Xperia™ device over the **BSP10** accessory so that the NFC detection area of each device touches the other. The accessory goes into pairing mode and then reconnects automatically with the previously paired device.
- On the **BSP10** accessory, short press the volume up and down buttons at the same time. The accessory goes into pairing mode and then reconnects automatically with the previously paired device.

To stop an existing connection and connect with a different Xperia™ device

- 1 Disconnect the currently paired Xperia™ device from the **BSP10** accessory.
- 2 Follow the relevant instructions to pair the other Xperia™ device with the **BSP10** accessory using either NFC or Bluetooth.

Troubleshooting

I cannot answer a second call

- Make sure that your calling device supports the Bluetooth® Handsfree Profile (HFP).
- Make sure that the correct calling device is selected.

The BSP10 accessory turns off unexpectedly

- If the BSP10 accessory beeps several times shortly before turning off, the battery level is low. Charge the battery.

Unexpected behaviour

- When the **BSP10** accessory is powered on, press the power button, then connect the USB charger cable to the BSP10 and remove the cable again almost immediately. No data loss is incurred using this recovery/reset method.
- When the **BSP10** accessory is powered on, long press the call button. The **BSP10** restarts and all information about pairings with other devices gets removed.

I can't pair a second device with my BSP10 accessory

- Disconnect the currently connected device from your BSP10 accessory, then pair the second device with the BSP10.

No connection between BSP10 and an Xperia™ device

- Make sure that the BSP10 accessory is charged and within range of the device that you want to connect to. A maximum distance of 10 metres (33 feet), with no solid objects in between, is recommended.
- Disable the Bluetooth® function in the other Xperia™ device so that all connections are closed, then re-enable the Bluetooth® function and try to pair the BSP10 accessory with the Xperia™ device again.

Legal information

SONY BSP10



Prior to use, please read the *Important information* leaflet separately provided.

This User guide is published by Sony Mobile Communications Inc. or its local affiliated company, without any warranty. Improvements and changes to this User guide necessitated by typographical errors, inaccuracies of current information, or improvements to programs and/or equipment, may be made by Sony Mobile Communications Inc. at any time and without notice. Such changes will, however, be incorporated into new editions of this User guide.



Do not place the BSP10 speaker near your ear when playing music or handling calls in order to avoid damage to your hearing. Also, to protect your hearing, it's not recommended to listen to music with the BSP10 for more than 3 hours at a time.

©Sony Mobile Communications Inc., 2014

All rights reserved.

Interoperability and compatibility among Bluetooth® devices varies. The device generally supports products utilizing Bluetooth spec. 1.2 or higher, and Headset or Handsfree profile.

Sony is the trademark or registered trademark of Sony Corporation. Bluetooth is the trademark of Bluetooth (SIG) Inc. and is used under license. All other marks are the property of their respective owners. All rights reserved.

All product and company names mentioned herein are the trademarks or registered trademarks of their respective owners. Any rights not expressly granted herein are reserved. All other trademarks are property of their respective owners.

Visit www.sonymobile.com for more information.

All illustrations are for illustration only and may not accurately depict the actual accessory.

Declaration of Conformity for BSP10

We, **Sony Mobile Communications AB** of

Nya Vattentorget

SE-221 88 Lund, Sweden

declare under our sole responsibility that our product

Sony type RD-0160

and in combination with our accessories, to which this declaration relates is in conformity with the appropriate standards **EN 300 328:V1.8.1, EN 300 330-2:V1.5.1, EN 301 489-7:V1.3.1, EN 301 489-17:V2.2.1, EN 301 489-3:V1.6.1 and EN 60 950-1: 2006+A11:2009+A1:2010+A12:2011, EN 62 311:2008** following the provisions of, Radio Equipment and Telecommunication Terminal Equipment directive **1999/5/EC**.

Lund, July 2014



Anders Grynge

Director, Head of Global Type Approval

We fulfil the requirements of the R&TTE Directive (1999/5/EC).

FCC Statement

This device complies with Part 15 of the FCC rules. Operation is subject to the following two conditions: (1) This device may not cause harmful interference, and (2) This device must accept any interference received, including interference that may cause undesired operation.

Any change or modification not expressly approved by Sony may void the user's authority to operate the equipment.

This equipment has been tested and found to comply with the limits for a Class B digital device, pursuant to Part 15 of the FCC Rules. These limits are designed to provide reasonable protection against harmful interference in a residential installation. This equipment generates, uses and can radiate radio frequency energy and, if not installed and used in accordance with the instructions, may cause harmful interference to radio communications. However, there is no guarantee that interference will not occur in a particular installation.

If this equipment does cause harmful interference to radio or television reception, which can be determined by turning the equipment off and on, the user is encouraged to try to correct the interference by one or more of the following measures:

- Reorient or relocate the receiving antenna.
- Increase the separation between the equipment and receiver.
- Connect the equipment into an outlet on a circuit different from that to which the receiver is connected.
- Consult the dealer or an experienced radio/TV technician for help.

AVISO IMPORTANTE PARA MÉXICO

La operación de este equipo está sujeta a las siguientes dos condiciones: (1) es posible que este equipo o dispositivo no cause interferencia perjudicial y (2) este equipo o dispositivo debe aceptar cualquier interferencia, incluyendo la que pueda causar su operación no deseada.

Para consultar la información relacionada al número del certificado, refiérase a la etiqueta del empaque y/o del producto.

Alimentación: 5,0 Vcc

Industry Canada Statement

This device complies with RSS-210 of Industry Canada.

Operation is subject to the following two conditions: (1) this device may not cause interference, and (2) this device must accept any interference, including interference that may cause undesired operation of the device.

This Class B digital apparatus complies with Canadian ICES-003.

Cet appareil numérique de la classe B est conforme à la norme NMB-003 du Canada.

Avis d'industrie Canada

Le présent appareil est conforme aux CNR d'Industrie Canada applicables aux appareils radio exempts de licence.

L'exploitation est autorisée aux deux conditions suivantes: (1) l'appareil ne doit pas produire de brouillage, et, and (2) l'utilisateur de l'appareil doit accepter tout brouillage radioélectrique subi, même si le brouillage est susceptible d'en compromettre le fonctionnement.

Cet appareil numérique de la classe B est conforme à la norme NMB-003 du Canada.

Les dispositifs fonctionnant dans la bande 5150-5250 MHz sont réservés uniquement pour une utilisation à l'intérieur afin de réduire les risques de brouillage préjudiciable aux systèmes de satellites mobiles utilisant les mêmes canaux. Le gain maximal d'antenne permis pour les dispositifs utilisant les bandes 5250-5350 MHz et 5470-5725 MHz doit se conformer à la limite de p.i.r.e. Le gain maximal d'antenne permis (pour les dispositifs utilisant la bande 5725-5825 MHz) doit se conformer à la limite de p.i.r.e. spécifiée pour l'exploitation point à point et non point à point, selon le cas. De plus, les utilisateurs devraient aussi être avisés que les utilisateurs de radars de haute puissance sont désignés utilisateurs principaux (c.-à-d., qu'ils ont la priorité) pour les bandes 5 250-5 350 MHz et 5 650-5 850 MHz et que ces radars pourraient causer du brouillage et/ou des dommages aux dispositifs LAN-EL.