

SONY[®]

User guide

Mono Bluetooth[®] Headset
MBH20

Contents

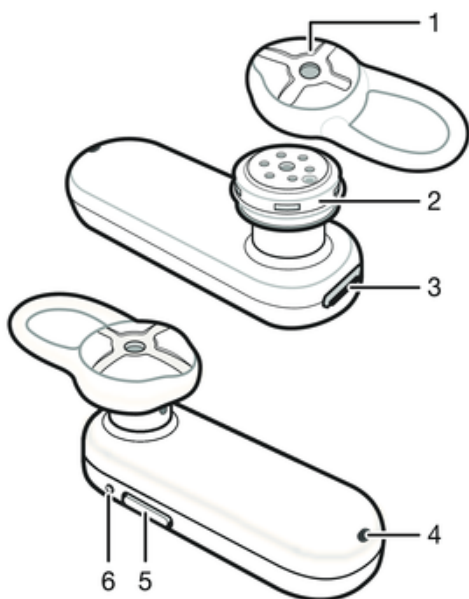
Introduction.....	3
Function overview.....	3
Accessory overview.....	3
Basics.....	4
Charging the handset.....	4
Turning the headset on and off.....	4
Pairing the headset with compatible devices.....	4
Wearing instruction.....	5
Using your headset.....	6
Call handling.....	6
Multipoint technology.....	6
Resetting the headset.....	7
Troubleshooting.....	8
I cannot answer a second call.....	8
I cannot pair a second Bluetooth® device.....	8
The headset turns off automatically.....	8
Unexpected behaviour.....	8
No connection between headset and other device.....	8
Legal information.....	9
Declaration of Conformity for MBH20.....	10

Introduction

Function overview

With the Mono Bluetooth® Headset, you can control incoming and outgoing phone calls while you listen to music from your device. You can connect your Bluetooth® headset to two Bluetooth® devices at the same time so that you can receive calls from two devices without having to disconnect and reconnect.

Accessory overview



1. Ear speaker cover

2. Ear speaker

3. Micro USB port

4. Microphone

5. Power key/Call key

6. Notification light

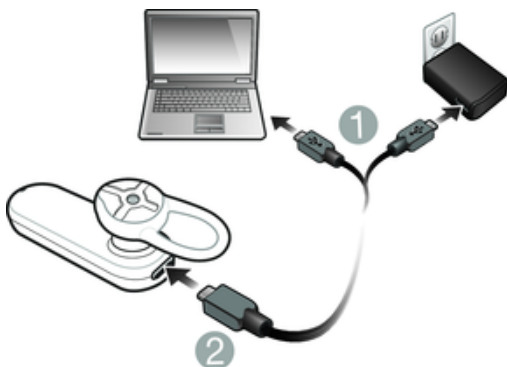
💡 Compatibility information for your accessory is available at www.sonymobile.com/support.

Basics

Charging the handset

Before using the Mono Bluetooth® Headset for the first time, you need to charge it for approximately 2.5 hours. Sony chargers are recommended.

To charge the battery



- 1 Plug one end of the USB cable into the charger (or into the USB port of a computer).
- 2 Plug the other end of the cable into the Micro USB port on your Mono Bluetooth® Headset.

Turning the headset on and off

To turn on the headset

- Press and hold down the Power key until the notification light turns green.

To turn off the headset

- Press and hold down the Power key until the red notification light flashes once.

Pairing the headset with compatible devices

Before you can use the headset, you need to pair it with a Bluetooth® compatible device, for example, a phone. After successful pairing, the headset connects to the Bluetooth® compatible device as soon as the headset is turned on and within range. You can also pair the headset with a second Bluetooth® compatible device in the same way.

To manually pair the headset with a Bluetooth® device

- 1 Make sure the Bluetooth® device has the Bluetooth® function turned on.
- 2 Turn off the headset.
- 3 Headset: Press and hold down the Power key until a green notification light starts flashing rapidly.
- 4 Bluetooth® device: Scan for Bluetooth® devices, then select **MBH20** in the list of available devices.
- 5 Bluetooth® device: Follow the pairing instructions that appear.

Wearing instruction



You can wear the headset on either the left or right ear.

Using your headset

Call handling

To answer a call with the headset

- When you hear an incoming call signal, press the Call key.

To end a call

- During an ongoing call, press the Call key.

To reject a call

- When you hear an incoming call signal, press and hold down the Call key.

To answer a second call

- When you hear an incoming call signal during an ongoing call, press the Call key. The ongoing call is put on hold.

To reject a second call

- When you hear an incoming call signal during an ongoing call, press and hold down the Call key.

To switch between two calls

- Double press the Call key briefly.

Multipoint technology

Use Multipoint technology to connect your headset to two Bluetooth® devices at the same time. For example, if you connect your headset with two phones, you can receive calls from both phones without having to disconnect and reconnect.

If you prefer that your headset connects to one Bluetooth® device only, you can use the Singlepoint mode which is enabled by default. Before pairing your headset with a new device in the Singlepoint mode, make sure that you disconnect it from other devices.

- ! Multipoint mode consumes more battery power than Singlepoint mode.

To connect your headset to two devices at the same time

- 1 Make sure that the headset is paired successfully with one Bluetooth® device and the other Bluetooth® device has the Bluetooth® function turned on.
- 2 Turned off the headset.
- 3 Press and hold down the Power key until a green notification light starts flashing rapidly.
- 4 Double press the Power key briefly. After the Multipoint mode is activated, a yellow notification light will flash twice.
- 5 Pair and connect your headset to the second Bluetooth® device.
- 6 The first Bluetooth® device: To reconnect the headset, select **MBH20** in the list of paired devices on the Bluetooth® settings screen.

To switch between the Multipoint mode and Singlepoint mode

- 1 Make sure that the headset is turned off.
- 2 Press and hold down the Power key until a green notification light starts flashing rapidly.
- 3 Double press the Power key briefly. After the Singlepoint mode is activated, a yellow notification light will flash once.
- 4 To switch to the Multipoint mode, double press the Power key briefly again. A yellow notification light will flash twice.

Resetting the headset

To reset the headset

- 1 Make sure that the headset is turned off.
- 2 Press and hold down the Power key for more than 8 seconds until the notification light turns green for the second time and starts flashing rapidly.

Troubleshooting

I cannot answer a second call

- Make sure that your calling device supports the Bluetooth® headset profile.
- Make sure that the correct calling device is selected.

I cannot pair a second Bluetooth® device

- Make sure that the Multipoint mode is activated.

The headset turns off automatically

- If the headset beeps several times shortly or a red notification light starts flashing rapidly before turning off, the battery level is low. Charge the battery.

Unexpected behaviour

- Restart the headset.

No connection between headset and other device

- Make sure that the headset is charged and within range of the device that you want to connect to. A maximum distance of 10 metres (33 feet), with no solid objects in between, is recommended.
- Disable the Bluetooth® function in the other device so that all connections are closed, then re-enable the Bluetooth® function and pair the headset with the device again.

Legal information

SonyMBH20



Prior to use, please read the *Important information* leaflet separately provided.

This User guide is published by Sony Mobile Communications AB or its local affiliated company, without any warranty. Improvements and changes to this User guide necessitated by typographical errors, inaccuracies of current information, or improvements to programs and/or equipment, may be made by Sony Mobile Communications AB at any time and without notice. Such changes will, however, be incorporated into new editions of this User guide.

All rights reserved.

©2014 Sony Mobile Communications AB.

Interoperability and compatibility among Bluetooth® devices varies. Device generally supports products utilizing Bluetooth spec. 1.2 or higher, and Headset or Handsfree profile.

Sony is the trademark or registered trademark of Sony Corporation. Bluetooth is the trademark of the Bluetooth (SIG) Inc. and is used under license. All other marks are the property of their respective owners. All rights reserved.

All product and company names mentioned herein are the trademarks or registered trademarks of their respective owners. Any rights not expressly granted herein are reserved. All other trademarks are property of their respective owners.

Visit www.sonymobile.com for more information.

All illustrations are for illustration only and may not accurately depict the actual accessory.

Declaration of Conformity for MBH20

CE 0682

Hereby, Sony Mobile declares that the equipment type **RD-0150** is in compliance with Directive: **2014/53/EU**. The full text of the EU declaration of conformity is available at the following internet address: <http://www.compliance.sony.de/>

С настоящото Sony Mobile декларира, че радиосъоръжение тип **RD-0150** е в съответствие с Директива; **2014/53/ЕС**. Цялостният текст на ЕС декларацията за съответствие може да се намери на следния интернет адрес: <http://www.compliance.sony.de/>

Sony Mobile ovime izjavljuje da je radijska oprema tipa **RD-0150** u skladu s Direktivom; **2014/53/EU**. Cjeloviti tekst EU izjave o sukladnosti dostupan je na sljedećoj internetskoj adresi: <http://www.compliance.sony.de/>

Sony Mobile tímto prohlašuje, že radiové zařizení typ **RD-0150** je v souladu se směrnicí; **2014/53/EU**. Úplné znění EU prohlášení o shodě je k dispozici na této internetové adrese: <http://www.compliance.sony.de/>

Hermed erklarer Sony Mobile, at radioudstyrstypen **RD-0150** er i overensstemmelse med direktiv; **2014/53/EU**. EU-overensstemmelseserklaringens fulde tekst kan findes på følgende internetadresse: <http://www.compliance.sony.de/>

Hierbij verklaart Sony Mobile dat het type radioapparatuur **RD-0150** conform is met Richtlijn; **2014/53/EU**. De volledige tekst van de EU-conformiteitsverklaring kan worden geraadpleegd op het volgende internetadres: <http://www.compliance.sony.de/>

Käesolevaga deklareerib Sony Mobile, et käesolev raadioseadme tüüp **RD-0150** vastab direktiivi; **2014/53/EL** nõuetele. ELi vastavusdeklaratsiooni täielik tekst on kättesaadav järgmisel internetiaadressil: <http://www.compliance.sony.de/>

Sony Mobile vakuuttaa, että radiolaitetyyppi **RD-0150** on direktiivin; **2014/53/EU** mukainen. EU-vaatimustenmukaisuusvakuutuksen täysimittainen teksti on saatavilla seuraavassa internetosoitteessa: <http://www.compliance.sony.de/>

Le soussigné, Sony Mobile, déclare que l'équipement radioélectrique du type **RD-0150** est conforme à la directive; **2014/53/UE**. Le texte complet de la déclaration UE de conformité est disponible à l'adresse internet suivante: <http://www.compliance.sony.de/>

Hiermit erklärt Sony Mobile, dass der Funkanlagentyp **RD-0150** der Richtlinie; **2014/53/EU** entspricht. Der vollständige Text der EU-Konformitätserklärung ist unter der folgenden Internetadresse verfügbar: <http://www.compliance.sony.de/>

Με την παρούσα η Sony Mobile, δηλώνει ότι ο ραδιοεξοπλισμός **RD-0150** πληροί τους όρους της οδηγίας; **2014/53/ΕΕ**. Το πλήρες κείμενο της δήλωσης συμμόρφωσης ΕΕ διατίθεται στην ακόλουθη ιστοσελίδα στο διαδίκτυο: <http://www.compliance.sony.de/>

Sony Mobile igazolja, hogy a **RD-0150** típusú rádióberendezés megfelel a; **2014/53/EU** irányelvnek. Az EU-megfelelőségi nyilatkozat teljes szövege elérhető a következő internetes címen: <http://www.compliance.sony.de/>

Il fabbricante, Sony Mobile, dichiara che il tipo di apparecchiatura radio **RD-0150** è conforme alla direttiva; **2014/53/EU**. Il testo completo della dichiarazione di conformità UE è disponibile al seguente indirizzo Internet: <http://www.compliance.sony.de/>

Ar šo Sony Mobile deklarē, ka radioiekārta **RD-0150** atbilst Direktīvai; **2014/53/ES**. Pilns ES atbilstības deklarācijas teksts ir pieejams šādā interneta vietnē: <http://www.compliance.sony.de/>

Mes, Sony Mobile, patvirtiname, kad radijo įrenginių tipas **RD-0150** atitinka Direktyvą; **2014/53/ES**. Visas ES atitikties deklaracijos teksto prienamas šiuo interneto adresu: <http://www.compliance.sony.de/>

Il-Kumpanija Sony Mobile tiddikjara li t-tagħmir tar-radju tat tip **RD-0150** huwa konformi mad-Direttiva; **2014/53/EU**. It-test shiħ tad-dikjarazzjoni ta' konformita tal-UE huwa disponibbli f'dan l-indirizz tal-Internet li ġej: <http://www.compliance.sony.de/>

Herved erklarer Sony Mobile at radioutstyr typen **RD-0150** er i samsvar med direktiv; **2014/53/EU**. EU-erklaring fulltekst finner du pa Internett under: <http://www.compliance.sony.de/>

Sony Mobile niniejszym oświadcza, że typ urządzenia radiowego **RD-0150** jest zgodny z dyrektywą; **2014/53/UE**. Pełny tekst deklaracji zgodności UE jest dostępny pod następującym adresem internetowym: <http://www.compliance.sony.de/>

O(a) abaixo assinado(a) Sony Mobile declara que o presente tipo de equipamento de rádio **RD-0150** está em conformidade com a Diretiva; **2014/53/UE**. O texto integral da declaração de conformidade está disponível no seguinte endereço de Internet: <http://www.compliance.sony.de/>

Prin prezenta, Sony Mobile declară că tipul de echipament radio **RD-0150** este în conformitate cu Directiva; **2014/53/UE**. Textul integral al declarației UE de conformitate este disponibil la următoarea adresă internet: <http://www.compliance.sony.de/>

Sony Mobile potrjuje, da je tip radijske opreme **RD-0150** skladen z Direktivo; **2014/53/EU**. Celotno besedilo izjave EU o skladnosti je na voljo na naslednjem spletnem naslovu: <http://www.compliance.sony.de/>

Sony Mobile týmto vyhlasuje, že rádiové zariadenie typu **RD-0150** je v súlade so smernicou; **2014/53/EÚ**. Úplné EÚ vyhlásenie o zhode je k dispozícii na tejto internetovej adrese: <http://www.compliance.sony.de/>

Por la presente, Sony Mobile declara que el tipo de equipo radioeléctrico **RD-0150** es conforme con la Directiva; **2014/53/UE**. El texto completo de la declaración UE de conformidad está disponible en la dirección Internet siguiente: <http://www.compliance.sony.de/>

Härmed försäkrar Sony Mobile att denna typ av radioutrustning **RD-0150** överensstämmer med direktiv; **2014/53/EU**. Den fullständiga texten till EU-försäkran om överensstämmelse finns på följande webbadress: <http://www.compliance.sony.de/>

Bu belgeyle, Sony Mobile Communications Inc., **RD-0150** tipi telsiz cihazının **2014/53/EU** sayılı Direktife uygun olduğunu beyan etmektedir. AB Uygunluk beyanının tum metnine şu internet adresinden ulaşılabilir: <http://www.compliance.sony.de/>

FCC Statement

This device complies with Part 15 of the FCC rules. Operation is subject to the following two conditions: (1) This device may not cause harmful interference, and (2) This device must accept any interference received, including interference that may cause undesired operation.

Any change or modification not expressly approved by Sony may void the user's authority to operate the equipment.

This equipment has been tested and found to comply with the limits for a Class B digital device, pursuant to Part 15 of the FCC Rules. These limits are designed to provide reasonable protection against harmful interference in a residential installation. This equipment generates, uses and can radiate radio frequency energy and, if not installed and used in accordance with the instructions, may cause harmful interference to radio communications. However, there is no guarantee that interference will not occur in a particular installation.

If this equipment does cause harmful interference to radio or television reception, which can be determined by turning the equipment off and on, the user is encouraged to try to correct the interference by one or more of the following measures:

- Reorient or relocate the receiving antenna.
- Increase the separation between the equipment and receiver.
- Connect the equipment into an outlet on a circuit different from that to which the receiver is connected.
- Consult the dealer or an experienced radio/TV technician for help.

AVISO IMPORTANTE PARA MÉXICO

La operación de este equipo está sujeta a las siguientes dos condiciones: (1) es posible que este equipo o dispositivo no cause interferencia perjudicial y (2) este equipo o dispositivo debe aceptar cualquier interferencia, incluyendo la que pueda causar su operación no deseada.

Para consultar la información relacionada al número del certificado, refiérase a la etiqueta del empaque y/o del producto.

Alimentación: 3,7 Vcc

Industry Canada Statement

This device complies with Industry Canada's licence-exempt RSSs. Operation is subject to the following two conditions: (1) This device may not cause interference; and (2) This device must accept any interference, including interference that may cause undesired operation of the device.

Avis d'industrie Canada

Le présent appareil est conforme aux CNR d'Industrie Canada applicables aux appareils radio exempts de licence. L'exploitation est autorisée aux deux conditions suivantes: (1) l'appareil ne doit pas produire de brouillage; (2) l'utilisateur de l'appareil doit accepter tout brouillage radioélectrique subi, même si le brouillage est susceptible d'en compromettre le fonctionnement.