

SONY®

User guide

USB Type-C™ Charging Dock
DK60

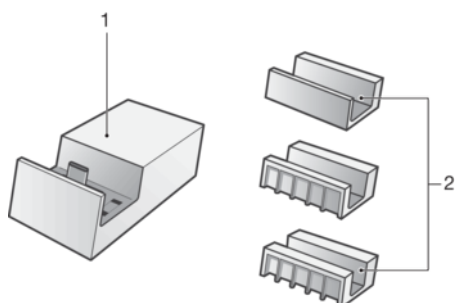
Contents

Introduction	3
About the DK60 USB Type-C Charging Dock.....	3
Using the DK60 USB Type-C Charging Dock	4
Using the attachments.....	4
Charging.....	5
Legal information	7
Sony DK60.....	7
FCC Statement.....	7
Industry Canada Statement.....	7

Introduction

About the DK60 USB Type-C Charging Dock

The DK60 USB Type-C Charging Dock is a charging accessory designed for Xperia™ phone. It positions your phone at a comfortable viewing angle so that you can easily browse content while your phone is charging.



1 Charging dock

2 Attachments for holding your phone in place

- ! The DK60 USB Type-C Charging Dock is not bundled for sale with a phone or charger. You must purchase it separately. Before use, remove the protective plastic film from the accessory.

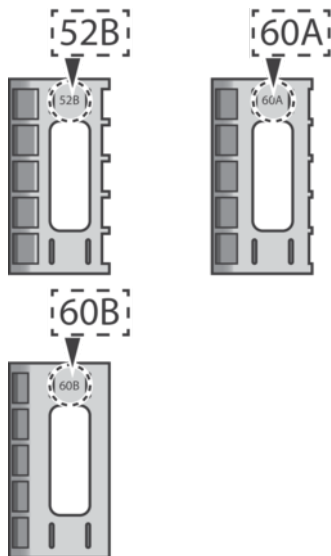
Operating temperature

5°C to 35°C

Using the DK60 USB Type-C Charging Dock

Using the attachments

Three attachments of different widths come with your DK60 USB Type-C Charging Dock. Each attachment can fit into the DK60 USB Type-C Charging Dock and hold your phone in place while it's charging. You need to select the appropriate attachment for your phone before placing it in the DK60 USB Type-C Charging Dock.



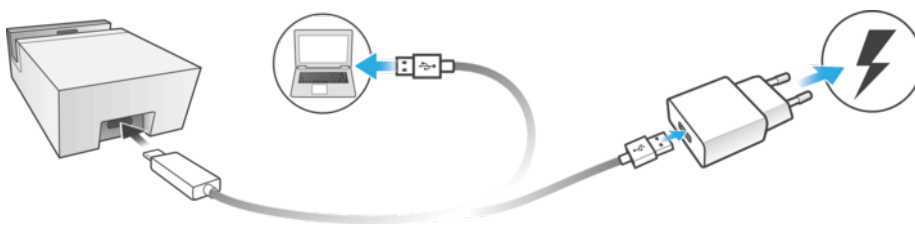
Attachment type	Supported device
52B	Xperia XZ Xperia XZs, XZ Premium, XA1, XA1 Ultra, L1 Xperia XZ1, XA1 Plus, XZ2 Xperia XZ1 with protective case
60A	Xperia X Compact Xperia XZ with protective case Xperia X Compact with protective case Xperia XZs, XZ Premium, XA1, XA1 Ultra, L1 with protective case Xperia XZ1 Compact, XA2, XA2 Ultra, L2, XZ2 Compact Xperia XZ1 Compact, XA1 Plus, XA2, XA2 Ultra, XZ2 with protective case

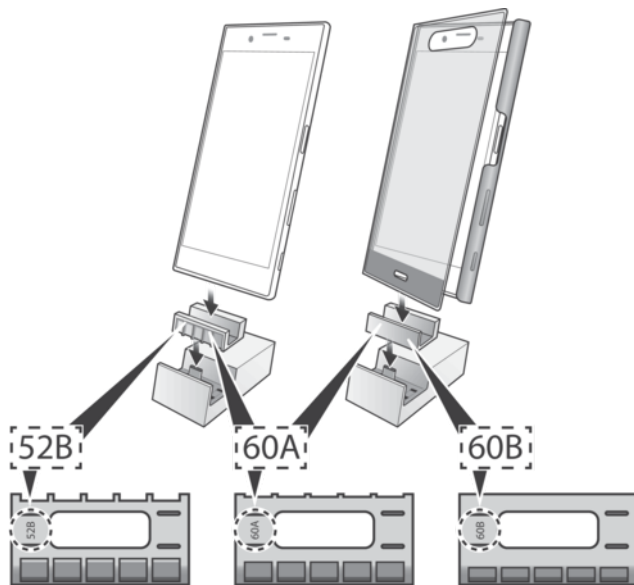
60B	<p>Xperia XZ with Style Cover Touch SCTF10 / Style Cover Flip SCSF10</p> <p>Xperia X Compact with Style Cover Touch SCTF20 / Style Cover Flip SCSF20</p> <p>Xperia XZ with thick protective case</p> <p>Xperia X Compact with thick protective case</p> <p>Xperia XZs with Style Cover Touch SCTG20 / Style Cover Stand SCSG20</p> <p>Xperia XZ Premium with Style Cover Stand SCSG10</p> <p>Xperia XA1 with Style Cover Stand SCSG30</p> <p>Xperia XA1 Ultra with Style Cover Stand SCSG40</p> <p>Xperia XZ1 with Style Cover Touch SCTG50 / Style Cover Stand SCSG50</p> <p>Xperia XZ1 Compact with Style Cover Stand SCSG60</p> <p>Xperia XZs, XZ Premium, XA1, XA1 Ultra, L1 with thick protective case</p> <p>Xperia XA1 Plus with Style Cover Stand SCSG70</p> <p>Xperia XA2 Ultra with Style Cover Stand SCSH20</p> <p>Xperia XA2 with Style Cover Stand SCSH10</p> <p>Xperia XZ2 with Style Cover Touch SCTH40 / Style Cover Stand SCSH40</p> <p>Xperia XZ2 Compact with Style Cover Touch SCTH50</p> <p>Xperia L2, XZ2 Compact with thick protective case</p>
No attachment	Xperia XZ2 Compact with Style Cover Stand SCSH50

! Some protective cases may not be compatible with the attachments.

Charging

To charge your phone using the DK60 USB Type-C Charging Dock





- 1 Plug the USB Type-C end of the charger cable into the charging dock, then plug the other end into the USB port of a computer or a phone charger. If you are using a phone charger, plug the charger into a power outlet.
 - 2 Insert the required attachment into the charging dock.
 - 3 Place your phone in the dock in such a way that the charging dock connector on the phone makes contact with the connector in the dock.
- ! If you aren't sure of the location of the charging dock connector on your phone, refer to the relevant phone User guide.

Legal information

Sony DK60



Prior to use, please read the *Important information* leaflet separately provided.

This User guide is published by Sony Mobile Communications Inc. or its local affiliated company, without any warranty. Improvements and changes to this User guide necessitated by typographical errors, inaccuracies of current information, or improvements to programs and/or equipment, may be made by Sony Mobile Communications Inc. at any time and without notice. Such changes will, however, be incorporated into new editions of this User guide.

All rights reserved.

©2016 Sony Mobile Communications Inc.

4-12-3 Higashi-Shinagawa, Shinagawa-ku, Tokyo, 140-0002 Japan

Sony Belgium, bijkantoor van Sony Europe Limited, Da Vincilaan 7-D1, 1935 Zaventem, Belgium

Sony is the trademark or registered trademark of Sony Corporation.

USB Type-C™ and USB-C™ are trademarks of USB Implementers Forum.

All product and company names mentioned herein are the trademarks or registered trademarks of their respective owners. Any rights not expressly granted herein are reserved. All other trademarks are property of their respective owners.

Visit www.sonymobile.com for more information.

All illustrations are for illustration only and may not accurately depict the actual accessory.

FCC Statement

This device complies with Part 15 of the FCC rules. Operation is subject to the following two conditions: (1) This device may not cause harmful interference, and (2) This device must accept any interference received, including interference that may cause undesired operation.

Industry Canada Statement

CAN ICES-3(B)/NMB-3(B)