

Removing/Reinstalling the Battery Pack

To remove the battery pack

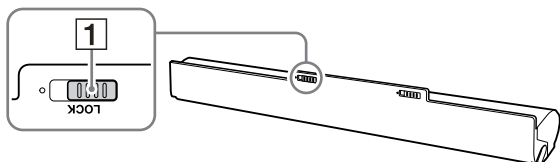
Remove the battery pack from the battery compartment of your VAIO computer.



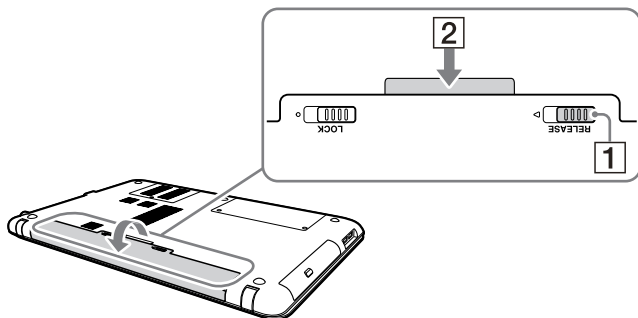
You will lose all unsaved data if you remove the battery pack while your VAIO computer is on or in Sleep mode and not connected to the AC adapter.

Be sure to turn off the computer before removing the battery pack.

- 1 Turn off your VAIO computer, disconnect the power cord and all connection cables, and close the LCD screen lid.
- 2 Slide the battery **LOCK** switch (1) to the unlock position.



- 3 Slide and hold the battery **RELEASE** latch (1), put your fingertip underneath the tab (2) on the battery pack, and lift the battery pack in the direction of the arrow.



- 4 Slide the battery pack away from your VAIO computer.

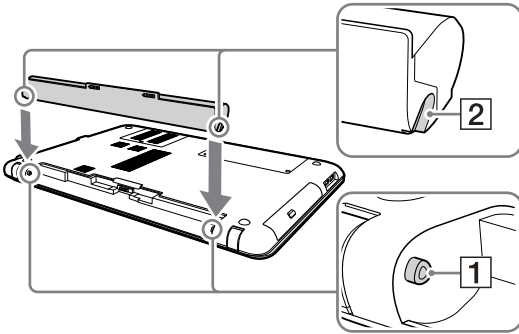
Continued on the back side.



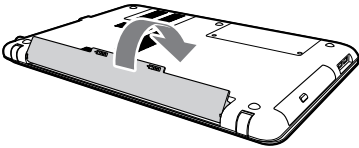
To reinstall the battery pack

Install the battery pack into the battery compartment of your VAIO computer.

- 1 Turn off your VAIO computer, disconnect the power cord and all connection cables, and close the LCD screen lid.
- 2 Slide the battery **LOCK** switch to the unlock position.
- 3 Slide the battery pack diagonally into the battery compartment until the projection (**1**) on each side of the battery compartment fits into the groove (**2**) on each side of the battery pack.



- 4 Turn the battery pack in the direction of the arrow and push the battery pack down into the compartment until it clicks into place.



- 5 Slide the battery **LOCK** switch to the **LOCK** position to secure the battery pack on your VAIO computer.



- Your VAIO computer is designed to operate only with genuine Sony battery packs.
- Make sure the battery **LOCK** switch is in the **LOCK** position before using your VAIO computer. Using the computer without locking the battery pack securely may cause the following: the battery pack comes away or the computer does not turn on or suddenly shuts down.