

This device and its antenna(s) must not be co-located or operating with any other antenna or transmitter except Grant condition.

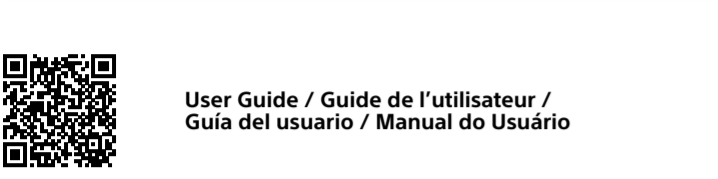
For the customers in Canada

This device complies with Industry Canada licence-exempt RSS standard(s). Operation is subject to the following two conditions: (1) this device may not cause harmful interference, and (2) this device must accept any interference received, including interference that may cause undesired operation of the device.

Wireless Router VGP-WAR100

Operating Instructions / Mode d'emploi / Manual de instrucciones / Manual de instruções

¡IMPORTANTE!
POR FAVOR LEA DETALLADAMENTE ESTE MANUAL DE INSTRUCCIONES ANTES DE CONECTAR Y OPERAR ESTE EQUIPO.
RECUERDE QUE UN MAL USO DE SU APARATO PODRÍA ANULAR LA GARANTÍA.

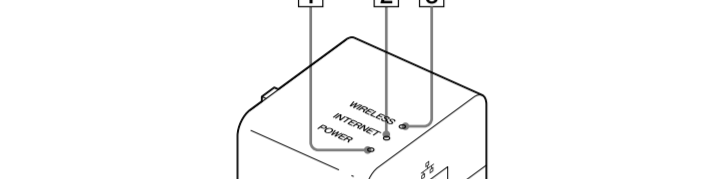


User Guide / Guide de l'utilisateur / Guía del usuario / Manual do Usuário

http://www.vaio.care.sony.net/information/acc/vgp-war100/

4-467-691-11(1) ©2013 Sony Corporation / Printed in China

A



For detailed information on how to use this product, you can see the User Guide. Scan the code or access the URL on the cover page.

Parts names (Illustration A)

- POWER LED**
- INTERNET LED**
- WIRELESS LED**
- WPS button**
- LAN connector**
- Serial number label**
- DC input**
- SSID label**

The WPS button makes it easy to connect a wireless device. It is also used to initialize this Wireless Router.

Displays and modes of the status lamps

POWER LED

Off The power is off.

Flashing An error is found.

Lit The power is on.

INTERNET LED

Off No LAN cable connection is found.

Flashing A LAN cable connection is found but Internet connection is not available yet.

Lit A LAN cable connection is found and Internet connection is established.

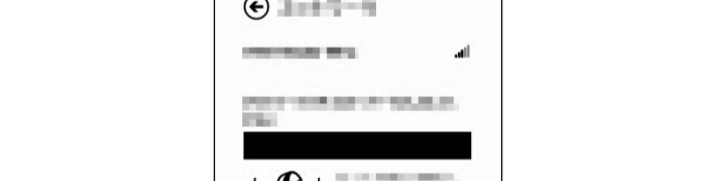
WIRELESS LED

Off Wireless communication start-up in progress.

Flashing Connecting, using WPS.

Lit Wireless communication is ready.

B



Connections

Connect the Wireless Router to a LAN cable connected to an Internet port in a residential or hotel room.

Turning on the power of the Wireless Router

1 Connect the LAN connector of the Wireless Router to a LAN cable.

2 Connect the Wireless Router to a dedicated AC adapter then connect it to a wall outlet (Illustration B).

Wait 1 or 2 minutes, until all 3 LED indicators light.

Connecting your VAIO computer wirelessly to the Wireless Router

1 Open the network setting page in your VAIO computer.

Place the pointer on the upper right corner of the display. After the charm appears, move the pointer downward to select the Settings charm.

After the setting page appears, select (the network icon).

The network setting page also opens when the I key is pressed while the (Windows) key is being pressed.

2 Select the SSID (network name) of the Wireless Router from the displayed list of the wireless devices, and select "Connect".

The SSID of this device is shown on the SSID label.

By checking "Connect automatically", your VAIO is automatically connected wirelessly to the Wireless Router on starting.

3 After the window shown in illustration C appears, press and hold the WPS button (for about 3 seconds) until the WIRELESS LED flashes.

Note

If you press and hold the WPS button for more than 10 seconds, the Wireless Router will be initialized.

4 Select one of the settings about the share to suit your condition.

When the wireless connection is established, Connect is displayed next to SSID of the Wireless Router.

5 Open any website in your Web browser to make sure that the Internet connection is established.

If the computer cannot access the Internet, refer to "Troubleshooting".

Changing the Internet connection settings and configuring advanced settings

Access the setting page of the Wireless Router with your Web browser.

1 Make sure that the wireless connection from your VAIO to the Wireless Router is established.

2 Start up the Web browser, then enter the following URL: http://VGP-WAR100/ or http://192.168.11/

3 Enter the following password, and then select "Login".

Passwort: admin

Note

For safety, make sure to change the default password to access setting page of the Wireless Router.

If you cannot access the setting page, initialize the Wireless Router. Make a wireless connection between the Wireless Router and your VAIO without connecting the LAN cable, and access the setting page again and enter the following URL: http://192.168.11/

Use the Web browser pre-installed on your VAIO.

To change the language of the setting page, select another language from "Select Language" on upper right side of the display.

Refer to the User Guide for details about the setting page.

Initializing the Wireless Router

To initialize the Wireless Router, follow these steps. After initialization, make a connection again from the beginning.

1 Turn on the power of the Wireless Router with the LAN cable disconnected.

2 Wait until the POWER LED and the WIRELESS LED light, and then press and hold the WPS button for more than 10 seconds.

3 Both LED indicators starts flashing, release the WPS button.

The Wireless Router restarts and is initialized automatically.

Note

Do not turn off the power before the Wireless Router restarts completely. It may be a cause of any malfunction or trouble.

Notes on use

Do not use or leave the Wireless Router in such places as following. It may be a cause of any trouble.

In very humid, dusty, oily smoked or steamed up areas

In high temperature

Exposed to direct sunlight

In violent vibration

When you do not use the Wireless Router for a long time, disconnect the AC adapter and the network cable from it.

This device and its antenna(s) must not be co-located or operating with any other antenna or transmitter except Grant condition.

For the customers in Canada

This device complies with Industry Canada licence-exempt RSS standard(s). Operation is subject to the following two conditions: (1) this device may not cause harmful interference, and (2) this device must accept any interference received, including interference that may cause undesired operation of the device.

Safety information

WARNING

Do not touch the Wireless Router or accessories during thunderstorms. Electrical shock could result.

Do not use the Wireless Router on hospital premises. Doing so may cause medical devices to malfunction.

Do not use the Wireless Router on an airplane, as doing so may cause the airplane's equipment to malfunction.

Check for and respect airline restrictions on use of wireless capabilities.

If using the Wireless Router near a pacemaker, make sure it is at least 22 cm (8.7 inches) away from the pacemaker.

Do not leave the Wireless Router being connected to the AC adapter inside an airplane or a hospital.

The Wireless Router always emits the electric wave while it is connected to the power source.

CAUTION

Make sure that the connector is properly connected.

Do not insert any metallic objects inside the connector. Short-circuiting the pins could cause fire or damage to this device.

Be careful to insert connector squarely. Crooked insertion could cause pins to short-circuit, leading to fire or damage.

ISDN and telephone lines cannot be connected to the LAN connector of the Router Unit. If the connector is connected to the network or telephone lines mentioned below, high electric current to the connector may cause damage, overheating, or fire.

Connecting to home or business-use telephone lines is strictly prohibited.

Telephone lines

PBX (private branch exchange)

Home or business-use telephone lines

Lines other than those mentioned above

Avoid being left in prolonged contact with the Wireless Router while it is turned on. The Wireless Router may get hot while it is turned on. If your skin is left in prolonged contact with it, it may be a cause of a low temperature burn.

Do not cover the Wireless Router with a blanket and the like during use.

The case of the Wireless Router may change in shape by hot air, or it may be a cause of a fire.

Before use

This device is a small-sized Wireless Router complying with IEEE802.11b/g/n and providing access point functions.

It is necessary to prepare a dedicated AC adapter (sold separately or supplied with some of compatible models) when you use this device. For details about compatible models and the dedicated AC adapter, refer to the VAIO website.

For detailed information on how to use this product, you can see the User Guide. Scan the code or access the URL on the cover page.

Parts names (Illustration A)

- POWER LED**
- INTERNET LED**
- WIRELESS LED**
- WPS button**
- LAN connector**
- Serial number label**
- DC input**
- SSID label**

The SSID label shows SSID, KEY, and PIN.

Displays and modes of the status lamps

POWER LED

Off The power is off.

Flashing An error is found.

Lit The power is on.

INTERNET LED

Off No LAN cable connection is found.

Flashing A LAN cable connection is found but Internet connection is not available yet.

Lit A LAN cable connection is found and Internet connection is established.

WIRELESS LED

Off Wireless communication start-up in progress.

Flashing Connecting, using WPS.

Lit Wireless communication is ready.

C

English

WARNING

To reduce the risk of fire or electric shock, do not expose the unit to rain or moisture.

To avoid electrical shock, do not open the cabinet. Refer servicing to qualified personnel only.

The socket-outlet shall be installed near the equipment and shall be easily accessible.

Use your product only with the AC adapter and power cord supplied with your computer.

Owner's Record

This equipment has been tested and the serial number are located on the DC input side of this unit. Record the serial number in the space provided below. Refer to this number whenever you call your Sony dealer regarding this product.

Model No. VGP-WAR100

Serial No.

For the customers in USA

The following FCC statements apply only to the version of this model manufactured for sale in the USA. Other versions may not comply with FCC technical regulation.

FCC Information (USA)

This equipment has been tested and found to comply with the limits for a Class B digital device, pursuant to Part 15 of the FCC Rules. These limits are designed to provide reasonable protection against harmful interference in a residential installation. This equipment generates, uses, and can radiate radio frequency energy and, if not installed and used in accordance with the instructions, may cause harmful interference to radio communications. However, there is no guarantee that interference will not occur in a particular installation. If this equipment does cause harmful interference to radio or television reception, which can be determined by turning the equipment off and on, the user is encouraged to try to correct the interference by one or more of the following measures:

Reorient or relocate the receiving antenna.

Increase the separation between the equipment and receiver.

Connect the equipment into an outlet on a circuit different from that to which the receiver is connected.

Consult the dealer or an experienced radio/TV technician for help.

Changes or modifications not expressly approved by the party responsible for compliance could void the user's authority to operate the equipment.

NOTE: The manufacturer is not responsible for any radio or TV interference caused by unauthorized modifications to this equipment. Such modifications could void the user's authority to operate the equipment.

This device complies with Part 15 of the FCC Rules. Operation is subject to the following two conditions: (1) this device may not cause harmful interference, and (2) this device must accept any interference received, including interference that may cause undesired operation.

For the customers in USA and Canada

The available scientific evidence does not show that any health problems are associated with using low power wireless devices. There is no proof, however, that these low power wireless devices are absolutely safe. Low power Wireless devices emit low levels of radio frequency energy (RF) in the microwave range while being used. Whereas high levels of RF can produce health effects (by heating tissue), exposure to low level RF that does not produce heating effects causes no known adverse health effects. Many studies of low level RF exposures have not found any biological effects. Some studies have suggested that some biological effects might occur, but such findings have not been confirmed by additional research.

This equipment has been tested and found to comply with FCC/IC radiation exposure limits set forth for an uncontrolled environment and meets the FCC radio frequency (RF) Exposure Guidelines in Supplement C to OET65 and RSS-102 of the IC radio frequency (RF) Exposure rules.

Specifications

Wireless LAN IEEE 802.11b/g/n (Wi-Fi Certified)

Frequency range 2.412 GHz to 2.462 GHz (center frequency)

Channels 1 to 11 channels

Data rate (*1) Max. 150 Mbps (IEEE 802.11n/40 MHz)

Communication distance (*1) Approx. 10 m (32 ft.) line of sight

64/128 bits: WEP, WPA, WPA2, MAC address filtering (up to 8), SSID hidden, multi-SSID (up to 2)

Internet connection methods WPS (WPS button, PBC/PIN method) 5 or less is recommended

Easy connection DHCP (Dynamic IP address assignment), Static IP address, PPPoE

Power LAN connector (100BASE-TX/10BASE-T) x 1

Supplied from the dedicated AC adapter (VGP-AC10V10) (DC 5 V 400 mA)

Dimensions Approx. 33 mm x 26.5 mm x 39 mm (1.3 in x 1.1 in x 1.6 in) (w x h x d)

Mass Approx. 29 g (1.1 oz.)

Operating temperature 5 °C to 35 °C (41 °F to 95 °F) (temperature gradient less than 10 °C (18 °F)/hour)

Operating humidity 20% to 80% (not condensed), provided that humidity is less than 65% at 35 °C (95 °F) (hygrometer reading of less than 29 °C (84 °F)

Storage temperature -20 °C to +60 °C (-4 °F to +140 °F) (temperature gradient less than 10 °C (18 °F)/hour)

Storage humidity 10% to 90% (not condensed), provided that humidity is less than 20% at 60 °C (140 °F) (hygrometer reading of less than 35 °C (95 °F)

Supplied accessories Operating Instructions (this document)

(*1) Data rate and distance vary depending on the obstacles between the communication devices, equipment configuration, radio wave condition, network congestion situation, etc. Connection may be cut off because of the radio wave condition. The specification value of data rate is the theoretical maximum value of the wireless standards and it is different from the actual data transfer speed.

Design and specifications are subject to change without notice.

Troubleshooting

If a problem occurs during operation of the product, refer to the information provided in this section. If the problem persists, consult your nearest Sony dealer. Also refer to the instruction manual or online manual provided with your personal computer.

Symptom	Reason/Solution
The power is not turned on.	<ul style="list-style-type: none">Connect the dedicated AC adapter. Otherwise, this router will not start.
THE POWER LED is not lit.	<ul style="list-style-type: none">The AC adapter is not connected to a wall outlet. Connect its AC plug to the wall outlet.
The POWER LED is flashing	<ul style="list-style-type: none">Disconnect the AC plug of the dedicated AC adapter and wait more than 1 minute. Then connect the AC plug again. If the POWER LED still flashes, initialize the Wireless Router. (For details, refer to "Initializing the Wireless Router".) If the POWER LED still flashes, consult your nearest Sony dealer.
The INTERNET LED does not light.	<ul style="list-style-type: none">Check that the Wireless Router is connected to the LAN cable connected to the Internet.
The INTERNET LED is flashing.	<ul style="list-style-type: none">Check that the connected broadband modem or router works properly. If you use PPPoE with a static IP address, make your Internet connection settings for your broadband modem or Router first. For details, refer to the User Guide.
The WIRELESS LED does not light.	<ul style="list-style-type: none">If the WIRELESS LED does not light even 1 or 2 minutes after the POWER LED lights, disconnect the AC plug of the dedicated AC adapter. Wait more than 1 minute, and then connect the AC plug again.
The Wireless Router cannot be found on the network list on your VAIO.	<ul style="list-style-type: none">Check that the "Wi-Fi" setting of "Wireless device" on your VAIO is "on". For details, refer to the manuals provided with your VAIO. Check that your VAIO is not set to In-Flight mode. To check that, display the charm and select Settings charm. If is displayed, Airplane mode is selected. Check the SSID again by comparing the SSID label on the Wireless Router. If you changed the SSID on the setting page of the Wireless Router, the changed SSID is displayed on the list. Check the changed SSID.
Connection via WPS is not established.	<ul style="list-style-type: none">Try to make connection by the method of entering the KEY (13 digits) and the PIN code (8 digits).
Internet connection is not available.	<ul style="list-style-type: none">Check that the INTERNET LED lights. If it does not light, see "The INTERNET LED does not light," or "The INTERNET LED is flashing." Owing to your network environment, you need the procedure for authentication by your Web browser, automatic configuration of your "LAN setting" on your VAIO, or your proxy server setting. Consult the network administrator and configure them correctly.

Notice for the software licensed under the GNU GPL/LGPL

This device is supplied with some software licensed under the GNU General Public License ("GPL" hereinafter) or GNU Lesser General Public License ("LGPL" hereinafter). You have the right to get the source code, to modify, or to redistribute such software by following the stipulated terms of the GPL/LGPL. The source code is offered at the Web site. To download it, access the following URL: http://www.sony.net/Products/Linux/

We do not accept any reference about contents of the source code.

The contents of the licenses are as stated for this device. Access the following URL from the PC connected to this device, and please read it once.

http://VGP-WAR100/st_license.php

Trademarks

VAIO is a trademark of Sony Corporation.

Microsoft, Windows are registered trademarks of Microsoft Corporation in the United States and other countries.

Wi-Fi®, Wi-Fi Alliance®, Wi-Fi Protected Access® (WPA) are registered trademarks of the Wi-Fi Alliance.

Wi-Fi CERTIFIED™, Wi-Fi Protected Setup™ and WPA2™ are trademarks of the Wi-Fi Alliance.

Other names of systems mentioned within this document, product names are registered trademarks of each manufacturer. In addition, the marks ™, ® are not specified within this manual.

Français

AVERTISSEMENT

Pour réduire les risques d'incendie ou d'électrocution, n'exposez pas l'appareil à la pluie ou l'humidité.

Pour prévenir les risques d'électrocution, n'ouvrez pas le boîtier. Confiez toutes les réparations à un technicien qualifié.

La prise secteur doit se trouver à proximité de l'appareil et son accès doit être aisé.

N'utilisez votre appareil qu'avec l'adaptateur CA et le cordon d'alimentation fournis avec votre ordinateur.

Informations d'identification

Le numéro de modèle et le numéro de série sont indiqués à l'intérieur du logement des piles de la souris. Notez le numéro de série dans l'espace ci-dessous. Reportez-vous à ce numéro chaque fois que vous appelez votre détaillant Sony au sujet de ce produit.

Numéro de modèle VGP-WAR100

Numéro de série

Pour les clients situés aux États-Unis

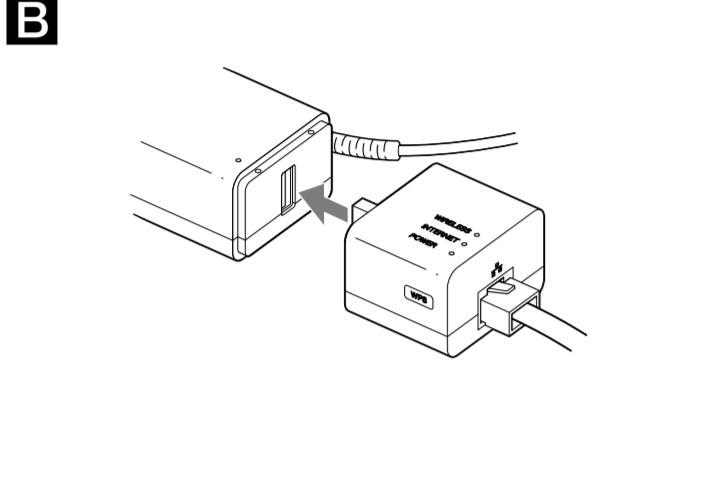
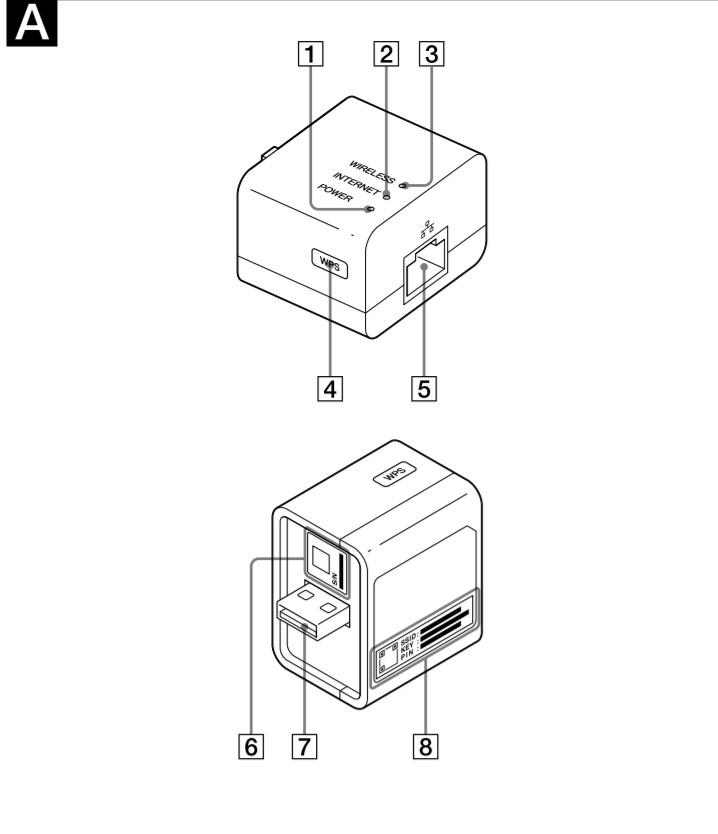
L'avis suivant de la FCC s'applique uniquement à la version de ce modèle fabriqué pour être vendu aux É.-U. Il est possible que d'autres versions ne soient pas conformes aux règlements techniques de la FCC.

Pour les clients situés aux États-Unis et au Canada

Les données scientifiques actuelles n'ont pas mis en évidence de problèmes sanitaires liés à l'utilisation d'appareils sans fil de faible puissance. Il n'existe cependant aucune preuve que ces appareils sans fil de faible puissance sont complètement sans danger. Les appareils sans fil de faible puissance émettent des radiofréquences (RF) de faible intensité de la gamme des micro-ondes au cours de leur utilisation. Contrairement aux RF de haute intensité qui peuvent être néfastes pour la santé (en causant un échauffement des tissus), l'exposition à des RF de faible intensité ne cause pas d'échauffement, et n'a pas d'effets indésirables néfastes pour la santé. De nombreuses études portant sur les expositions à des RF de faible intensité n'ont identifié aucun effet biologique. Certaines études ont suggéré que certains effets biologiques peuvent se produire, mais ces éléments n'ont pas été confirmés par des recherches supplémentaires.

Cet appareil a été testé et déclaré conforme avec les limites d'exposition aux radiations définies par la FCC/IC, mises en place pour les environnements non contrôlés et correspond aux Directives portant sur l'exposition aux radiofréquences (RF) de la FCC, dans le supplément C du bulletin OET65 et au règlement RSS-102 sur les Règles d'exposition aux radiofréquences (RF) d'IC.

Cet appareil et son/ses antenne(s) ne doivent pas être situés ou fonctionner à proximité d'une autre antenne ou transmetteur, à part dans la condition de Grant.



<div> <div></div> <div>Nombre del producto: Router inalámbrico</div> </div> <div> <div></div> <div>Número de modelo: VGP-WAR100</div> </div>
<div>Español</div>

ADVERTENCIA

Para evitar el riesgo de incendios y electrocución, no exponga la unidad a la lluvia ni a la humedad.

Para evitar descargas eléctricas, no abra el aparato. Solicite asistencia técnica únicamente a personal especializado.

El enchufe debe quedar cerca del equipo y ser de fácil acceso.

Use el producto únicamente con el adaptador de ca y el cable de alimentación suministrados con su equipo.

A fin de evitar cualquier riesgo, el adaptador de ca específico debe utilizarse correctamente, según las instrucciones proporcionadas.

Existen condiciones restrictivas que se aplican a Chile, Chile: LAN inalámbrico y BLUETOOTH® son para uso en interior solamente.

Registro del propietario

El número de modelo y el número de serie se encuentran dentro del compartimento de las baterías del mouse. Registre el número de serie en el espacio que aparece a continuación. Haga referencia a este número cada vez que llame a su distribuidor Sony en relación con este producto.

Modelo N.º VGP-WAR100

N.º de serie _____

AVISO IMPORTANTE PARA COFETEL

La operación de este equipo está sujeta a las siguientes dos condiciones:
(1) es posible que este equipo o dispositivo no cause interferencia perjudicial y (2) este equipo dispositivo debe aceptar cualquier interferencia, incluyendo la que pueda causar suoperación no deseada.

Para consultar la información relacionada al número del certificado de COFETEL, refiérase

Información de seguridad

ADVERTENCIA

No toque el Router inalámbrico o los accesorios durante tormentas eléctricas.

Puede sufrir una descarga eléctrica.

No utilice el Router inalámbrico en hospitales. Si lo utiliza, puede provocar un mal funcionamiento de los dispositivos médicos.

No utilice el Router inalámbrico en un avión, ya que puede provocar un mal funcionamiento del equipo del avión.

Controle y respete las restricciones de los aviones en cuanto al uso de dispositivos inalámbricos.

Si utiliza un Router inalámbrico cerca de un marcapasos, asegúrese de estar al menos a 22 cm de distancia de este.

No deje el Router inalámbrico conectado al adaptador de ca dentro de un avión o un hospital.

El Router inalámbrico siempre emite ondas electrónicas cuando está conectado a la fuente de energía.

PRECAUCIÓN

• Asegúrese de que el conector esté conectado adecuadamente.

– No inserte ningún objeto metálico dentro del conector. Un cortocircuito en los terminales puede provocar un incendio o daños en este dispositivo.

– Preste atención, ya que debe insertar el conector en ángulo recto. Si lo inserta torcido, los terminales pueden sufrir un cortocircuito, que puede producir un incendio o diferentes daños.

• Las líneas telefónicas y de la red ISDN no pueden conectarse al conector **Ⓐ** (LAN) de la Unidad del router. Si el conector se conecta a las líneas de la red o del teléfono que se mencionan a continuación, la alta corriente eléctrica sobre el conector puede causar daños, un sobrecalentamiento o un incendio. La conexión a líneas de teléfono para uso comercial o privado queda estrictamente prohibida.

– Líneas de teléfono

– PBX (intercambio de divisiones privadas)

– Líneas de teléfono para uso comercial o privado

– Otras líneas aparte de las mencionadas arriba

• Evite estar en contacto por un tiempo prolongado con el Router inalámbrico mientras se encuentra encendido.

Es posible que el Router inalámbrico se caliente mientras está encendido. Si su piel está en contacto con el router por un tiempo prolongado, puede producirse una quemadura leve.

• No cubra el Router inalámbrico con una manta o algo similar durante su uso. La forma de la caja del Router inalámbrico puede cambiar debido al aire caliente o por el fuego.

Antes de usar

Este dispositivo es un pequeño Router inalámbrico que cumple con IEEE802.11b/g/n y que proporciona funciones de punto de acceso.

Al usar este dispositivo, es necesario preparar un adaptador de ca específico (vendido por separado o suministrado con alguno de los modelos compatibles). Para obtener más detalles acerca de los modelos compatibles o del adaptador de ca específico, consulte el sitio web de VAO.

Para obtener información detallada sobre cómo utilizar este producto, consulte la Guía del usuario.

Escanee el código o acceda a la URL que figura en la portada.

Nombres de las partes (Ilustración A)

1 LED de POWER

2 LED de INTERNET

3 LED de WIRELESS

4 Botón de WPS

El botón de WPS facilita la conexión a un dispositivo inalámbrico. También se utiliza para iniciar el Router inalámbrico.

5 Conector **Ⓐ** (LAN)

6 Etiqueta del número de serie

7 Entrada de DC

8 Etiqueta de SSID

La etiqueta de SSID muestra el SSID, la KEY y el PIN.

Presentaciones y modos de las lámparas de estado

LED de POWER	
Apagado	La electricidad está desconectada.
Intermitente	Se encontró un error.
Iluminado	La electricidad está conectada.

LED de INTERNET	
Apagado	No se encontró la conexión del cable LAN.
Intermitente	Se encontró la conexión del cable LAN, pero la conexión de Internet aún no está disponible.
Iluminado	Se encontró la conexión del cable LAN y se estableció la conexión a Internet.

LED de WIRELESS	
Apagado	Iniciación de la comunicación inalámbrica en progreso
Intermitente	Conectando vía WPS
Iluminado	La comunicación inalámbrica está lista.

Conexiones

Conectar el Router inalámbrico a un cable LAN conectado a un puerto de Internet en una habitación residencial o de un hotel.

Encender la fuente de alimentación eléctrica del Router inalámbrico.

1 Conecte el conector **Ⓐ** (LAN) del Router inalámbrico a un cable LAN.

2 Conecte el Router inalámbrico al adaptador de ca específico, luego conéctelo a un tomacorriente de la pared (ilustración B).

Espera uno o dos minutos hasta que se iluminen los 3 indicadores LED.

Conectar su equipo VAO de forma inalámbrica al Router inalámbrico.

1 Abra la página de configuración de red en su equipo VAO.

Posicione el puntero en la esquina superior derecha de la pantalla. Luego de que aparezca el acceso, mueva el puntero hacia abajo para seleccionar el acceso **ⓧ Configuración**. Una vez que aparezca la página de configuración, seleccione **Ⓜ** (el icono de red).

- Ⓜ** La página de configuración de red también se abre cuando la tecla **I** se presiona mientras la tecla **Ⓜ**(Windows) está siendo presionada.

2 En la lista que muestra los dispositivos inalámbricos seleccione **el SSID (nombre de red) del Router inalámbrico y a continuación, seleccione "Conectar"**.

El SSID de este dispositivo figura en la etiqueta de SSID.

- Al seleccionar "Conectar automáticamente", su VAO se conecta de forma inalámbrica al Router inalámbrico al inicio.

3 Luego de que aparezca la ventana que se muestra en la ilustración C, mantenga presionado el botón de WPS (durante alrededor de 3 segundos) hasta que el LED de WIRELESS parpadee.

Aviso:

• Si mantiene presionado el botón de WPS durante más de 10 segundos, el Router inalámbrico se iniciará.

4 Seleccione una de las configuraciones de uso compartido que se ajuste a su condición.

Cuando se establece la conexión inalámbrica, aparece **Conectar** junto al SSID del Router inalámbrico.

5 Abra cualquier sitio web de su navegador de Internet para asegurarse de que se establezca la conexión de Internet.

Si el equipo no puede acceder a Internet, consulte "Resolución de problemas".

Cambiar la configuración de la conexión de Internet y establecer la configuración avanzada

Acceda a la página de configuración del Router inalámbrico con su navegador de Internet.

1 Asegúrese de que se establezca la conexión inalámbrica entre su VAO y el Router inalámbrico.

2 Abra el explorador web e ingrese la siguiente URL: **http://VGP-WAR100/ o http://192.168.11/**

3 Ingrese la siguiente contraseña y luego seleccione "Login".
Contraseña: admin

Aviso:

• Por cuestiones de seguridad, asegúrese de cambiar la contraseña predeterminada para acceder a la página de configuración del Router inalámbrico.

• Si no puede acceder a la página de configuración, inicie el Router inalámbrico. Cree una conexión inalámbrica entre el Router inalámbrico y su VAO sin conectar el cable LAN. Acceda a la página de configuración nuevamente e ingrese la siguiente URL: http://192.168.11/

• Utilice el navegador de Internet ya instalado en su VAO.

• Para cambiar el idioma de la página de configuración, seleccione otro idioma en "Select Language" en el extremo superior derecho de la pantalla.

• Consulte la Guía del usuario para obtener detalles sobre la página de configuración.

Iniciar el Router inalámbrico

Para iniciar el Router inalámbrico, siga estos pasos. Después de iniciar, cree una conexión nuevamente desde el comienzo.

1 Encienda el Router inalámbrico con el cable LAN desconectado.

2 Espere hasta que se encienda la luz LED de POWER y WIRELESS, y luego presione el botón WPS y manténgalo presionado durante más de 10 segundos.

3 Ambos indicadores LED comienzan a titilar, suelte el botón WPS. El Router inalámbrico se reinicia y se inicia de forma automática.

Aviso:

• No apague la fuente de alimentación eléctrica hasta que el Router inalámbrico se reinicie por completo. Puede causar el funcionamiento incorrecto o problemas.

Avisos sobre la utilización

No utilice ni deje el Router inalámbrico en lugares similares a los siguientes. Puede causar problemas de cualquier tipo.

- En áreas húmedas, polvorientas, grasosas o con vapor
- En temperaturas altas
- Expuesto a luz solar directa
- En vibraciones violentas

• Cuando no utilice el Router inalámbrico por un período de tiempo prolongado, desconecte el adaptador de ca y el cable de red del mismo.

Especificaciones

LAN inalámbrico IEEE 802.11b/g/n (Wi-Fi Certified)
Rango de frecuencia 2,412 GHz a 2,462 GHz (frecuencia del centro)
Canales 1 a 11 canales
Velocidad de transmisión de datos (*1)
Máx. 150 Mbps (IEEE 802.11n/40 MHz)

Distancia de comunicación (*1)

Aproximadamente 10 m de línea visual
64/128 bits: Filtrado de direcciones WEP, WPA, WPA2 y MAC (hasta 8), SSID oculta, multi-SSID (hasta 2)
WPS (botón de WPS, método PBC/PIN)

Fácil conexión
Número de dispositivos que pueden conectarse Se recomienda 5 o menos

Métodos de conexión a Internet

DHCP (Asignación dinámica de direcciones IP)
Dirección IP estática, PPPoE

Interfaz
Ⓐ (LAN) conector (100BASE-TX/10BASE-T) × 1

Electricidad
Suministrada desde el adaptador de ca específico (cc 5 V 400 mA)

Adaptador*
Modelo(s): VGP-ACIOV10

Entrada: ca 100-240 V ~ 1,2 A 50/60 Hz
Salida: cc 10 V 3,8 A

Salida USB: cc 5 V 1 A

* Vendido por separado o suministrado con alguno de los modelos compatibles.

Dimensiones Aproximadamente 33 mm × 26,5 mm × 39 mm (altura × ancho × profundidad)

Masa Aproximadamente 29 g

Temperatura de funcionamiento 5 °C a 35 °C (gradiente de temperatura menor a 10 °C por hora)

Humedad de funcionamiento 20% a 80% (sin condensar), siempre y cuando la humedad sea menor al 65% a 35 °C (el higrómetro debe mostrar menos de 29 °C)

Temperatura de almacenamiento –20 °C a +60 °C (gradiente de temperatura menor a 10 °C por hora)

Humedad de almacenamiento 10% a 90% (sin condensar), siempre y cuando la humedad sea menor al 20% a 60 °C (el higrómetro debe mostrar menos de 35 °C)

Accesorios suministrados
Manual de instrucciones (este documento)

(*1) La velocidad de datos y la distancia según los obstáculos entre los dispositivos de comunicación, la configuración del equipo, la condición de la onda radial, la congestión de la red, etc. La conexión puede cortarse por las condiciones de la onda radial. El valor de especificación de la velocidad de los datos es el valor máximo teórico de las normas inalámbricas y difiere de la velocidad real para la transferencia de datos.

El diseño y las especificaciones están sujetas a cambio sin previo aviso.

Resolución de problemas

Si se produce algún problema durante la operación del producto, consulte la información proporcionada en esta sección. Si el problema persiste, contáctese con su proveedor de Sony más cercano. También consulte el manual de instrucciones o el manual en línea suministrado con su equipo personal.

Síntoma	Motivo/Solución
La electricidad no está conectada.	<ul style="list-style-type: none">Conecte el adaptador de ca específico. De lo contrario, no se podrá usar el dispositivo. El adaptador de ca no está conectado a un tomacorriente de la pared. Conecte el enchufe de ca al tomacorriente de la pared.
El LED de POWER no está iluminado.	<ul style="list-style-type: none">Desconecte el enchufe de ca del adaptador de ca específico y espere más de 1 minuto. Luego vuelva a conectar el enchufe de ca. Si el LED de POWER todavía parpadea, inicie el Router inalámbrico. (Para obtener más detalles, consulte "Iniciar el Router inalámbrico.") Si el LED de POWER aún parpadea, contáctese con el distribuidor de Sony más cercano.

El LED de POWER parpadea.

• Desconecte el enchufe de ca del adaptador de ca específico y espere más de 1 minuto. Luego vuelva a conectar el enchufe de ca. Si el LED de POWER todavía parpadea, inicie el Router inalámbrico. (Para obtener más detalles, consulte "Iniciar el Router inalámbrico.") Si el LED de POWER aún parpadea, contáctese con el distribuidor de Sony más cercano.

El LED de INTERNET no se ilumina.

• Controle que el Router inalámbrico esté conectado al cable LAN conectado a Internet.

El LED de INTERNET parpadea.

• Controle que el módem de banda ancha o el router funcionen correctamente.

• Si utiliza PPPoE con una dirección IP estática, primero realice la configuración de conexión a Internet para el módem de banda ancha o para el Router inalámbrico. Para obtener detalles consulte la Guía del usuario.

• Si el LED de WIRELESS no se ilumina 1 o 2 minuto después de que se ilumina el LED de POWER, desconecte el enchufe de ca del adaptador de ca específico. Espere más de 1 minuto y luego vuelva a conectar el enchufe de ca.

• Controle que la configuración "Wi-Fi" de su "Dispositivo inalámbrico" en su VAO esté "activado". Para obtener detalles, consulte los manuales suministrados con su VAO.

• Controle que su VAO no esté ajustada en modo de vuelo. Para controlarlo, muestre el acceso y seleccione el acceso **ⓧ Configuración**.

• Si aparece **Ⓜ** el Modo de avión está seleccionado.

• Controle el SSID nuevamente comparándolo con la etiqueta de SSID que aparece en el Router inalámbrico.

• Si cambia el SSID en la página de configuración del Router inalámbrico, se mostrará el SSID modificado en la lista. Controle el SSID modificado.

No se estableció la conexión vía WPS.

• Intente establecer la conexión con el método de ingresar la KEY (13 dígitos) y el código PIN (8 dígitos).

La conexión a Internet no está disponible.

• Controle que el LED de INTERNET se ilumine. Si no se ilumina, consulte "El LED de INTERNET no se ilumina." o "El LED de INTERNET parpadea."

• Debido a su entorno de red, usted necesita realizar el procedimiento de autenticación de su navegador de Internet, la configuración automática de su "configuración de LAN" en su VAO o la configuración de su servidor proxy. Consulte al administrador de red y configúrelos correctamente.

Aviso para el software autorizado por GNU GPL/LGPL

Este dispositivo se suministra con un software autorizado por la Licencia Pública General de GNU (de ahora en adelante "GPL", por sus siglas en inglés) o por la Licencia Pública General Menor de GNU (de ahora en adelante "LGPL", por sus siglas en inglés). Usted tiene derecho a obtener el código de fuente, a modificarlo o a redistribuir dicho software cumpliendo con los términos de GPL/LGPL.

Puede obtener el código fuente en el sitio web. Para descargarlo, acceda a la siguiente URL:
http://www.sony.net/Products/Linux/

No aceptamos referencias acerca de contenidos del código fuente.

El contenido de las licencias son las que se establecen para este dispositivo. Acceda a la siguiente URL desde la PC conectada al dispositivo y lea las licencias una vez.
http://VGP-WAR100/sr_license.php

Marcas comerciales

• VAO es un marca comercial de Sony Corporation.

• Microsoft, Windows son marcas comerciales registradas de Microsoft Corporation en Estados Unidos y en otros países.

• Wi-Fi®, Wi-Fi Alliance®, Wi-Fi Protected Access® (WPA) son marcas comerciales registradas de Wi-Fi Alliance.

• Wi-Fi CERTIFIED™, Wi-Fi Protected Setup™ y WPA2™ son marcas comerciales de Wi-Fi Alliance.

• La marca de la palabra BLUETOOTH y sus logotipos son propiedad de Bluetooth SIG, Inc. y cualquier uso de dichas marcas por parte de Sony Corporation se realiza bajo licencia.

• Los nombres de otros sistemas mencionados en este documento y los nombres de productos son marcas comerciales registradas de cada fabricante. Además, las marcas ™, ® no están especificadas en este manual.

<div> <div></div> <div>Portugués</div> </div>
--

AVISO

Para reducir o risco de incêndio ou choque elétrico, não exponha a unidade à chuva ou umidade.

Para evitar choque elétrico, não abra o gabinete. Encaminhe a manutenção somente para pessoal qualificado.

A tomada de corrente deve ser montada perto do equipamento e ser de fácil acesso. Utilize seu produto apenas com o adaptador CA e cabo de alimentação fornecidos com seu computador.

Registro do proprietário

O número do modelo e o número de série estão localizados dentro do compartimento da pilha do mouse. Registre o número de série no espaço fornecido abaixo. Consulte esse número sempre que você ligar para o revendedor Sony em relação a este produto.

Modelo nº VGP-WAR100

Nº de série _____

Este equipamento opera em caráter secundário, isto é, não tem direito a proteção containterferência prejudicial, mesmo de estações do mesmo tipo, e não pode causar interferência a sistemas operando em caráter primário.



Informações de segurança

AVISO

• Não toque no roteador sem fio ou nos acessórios durante trovoadas. Risco de choque elétrico.

• Não utilize o roteador sem fio em instalações hospitalares. Isso pode causar falha nos aparelhos médicos.

• Não utilize o roteador sem fio em um avião, pois isso pode causar falha no equipamento do avião.

Verifique e respeite as restrições da companhia aérea sobre o uso de recursos sem fio.

• Se estiver utilizando o roteador sem fio perto de um marcapasso, certifique-se de que ele está pelo menos a 22 cm de distância do marcapasso.

• Não deixe o roteador sem fio conectado ao adaptador CA dentro de um avião ou hospital.

O roteador sem fio sempre emite a onda elétrica enquanto está conectado à fonte de energia.

CAUIDADO

• Verifique se de que o conector esteja corretamente conectado.

– Não insira nenhum objeto metálico dentro do conector. O curto circuito nos pinos pode causar incêndio ou danos a este aparelho.

– Tenha o cuidado de inserir o conector da forma correta. A inserção torta poderia causar curto circuito nos pinos, causando fogo ou danos.

• Linhas ISDN e de telefone não podem ser conectadas ao **Ⓐ** conector (de rede local) da unidade do roteador. Se o conector estiver conectado na rede ou nas linhas telefônicas mencionadas abaixo, a corrente elétrica elevada para o conector pode causar danos, superaquecimento ou incêndio.

Conectar-se às linhas residenciais ou comerciais de telefonia é estritamente proibido.

– Linhas telefônicas

– PBX (central privada de comunicação telefônica)

– Linhas de telefonia de uso residencial ou comercial

– Outras linhas ademais das supramencionadas

• Evite ser deixado em contato prolongado com o roteador sem fio enquanto ele está ligado.

O roteador sem fio pode ficar quente enquanto está ligado. Se a sua pele ficar em contato prolongado com ele, pode ser a causa de uma queimadura de baixa temperatura.

• Não cubra o roteador sem fio com um cobertor ou algo similar durante o uso.

A caixa do roteador sem fio pode mudar de forma pelo ar quente ou pode ser a causa de um incêndio.

Antes do uso