

# AC/DC Adaptor/Charger AC Adaptor/Charger Adaptateur/Chargeur CA/CC Adaptateur/Chargeur CA

Operating Instructions  
Mode d'emploi

## AC-VQ1050D AC-VQ1050B



© 2005 Sony Corporation Printed in Japan

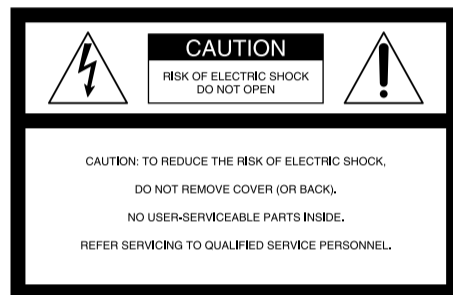
### Owner's Record

The model and serial numbers are located on the bottom of the unit. Record the serial number in the space provided below. Refer to these numbers whenever you call upon your Sony dealer regarding this product.

Model No. AC- \_\_\_\_\_ Serial No. \_\_\_\_\_

### WARNING

To reduce fire or shock hazard, do not expose the unit to rain or moisture.



This symbol is intended to alert the user to the presence of uninsulated "Dangerous voltage" within the product's enclosure that may be of sufficient magnitude to constitute a risk of electric shock to persons.



This symbol is intended to alert the user to the presence of important operating and maintenance (servicing) instructions in the literature accompanying the appliance.

### CAUTION

You are cautioned that any changes or modifications not expressly approved in this manual could void your authority to operate this equipment.

### NOTICE FOR THE CUSTOMERS IN THE U.S.A AND CANADA

The Graphical Symbols with Supplemental Marking is located on the bottom of the unit.

### Note:

This equipment has been tested and found to comply with the limits for a Class B digital device, pursuant to Part 15 of the FCC Rules. These limits are designed to provide reasonable protection against harmful interference in a residential installation. This equipment generates, uses, and can radiate radio frequency energy and, if not installed and used in accordance with the instructions, may cause harmful interference to radio communications. However, there is no guarantee that interference will not occur in a particular installation. If this equipment does cause harmful interference to radio or television reception, which can be determined by turning the equipment off and on, the user is encouraged to try to correct the interference by one or more of the following measures:

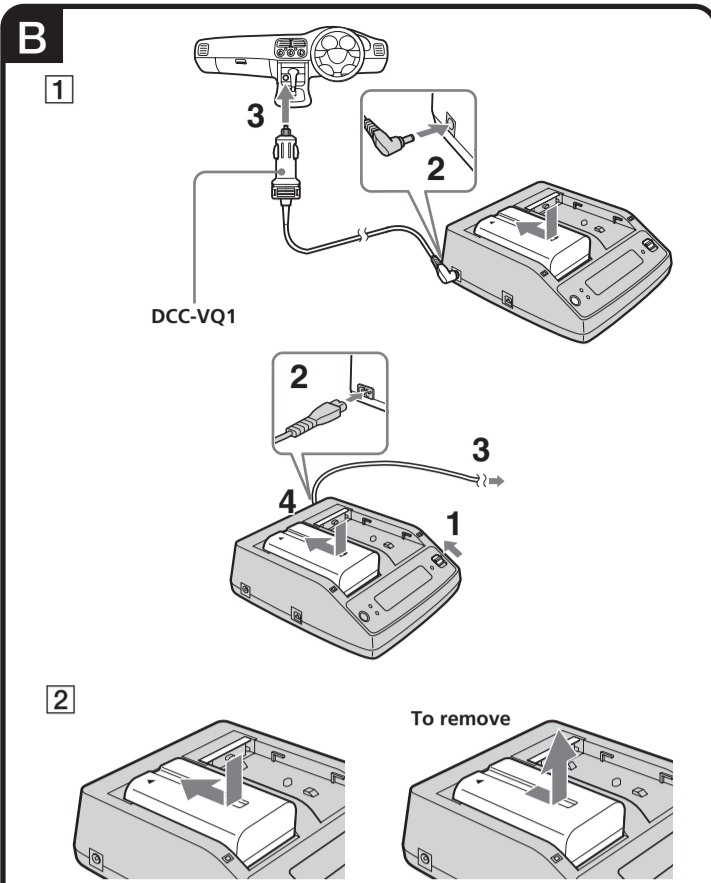
- Reorient or relocate the receiving antenna.
- Increase the separation between the equipment and receiver.
- Connect the equipment into an outlet on a circuit different from that to which the receiver is connected.
- Consult the dealer or an experienced radio/TV technician for help.

### NOTICE FOR THE CUSTOMERS IN THE UNITED KINGDOM

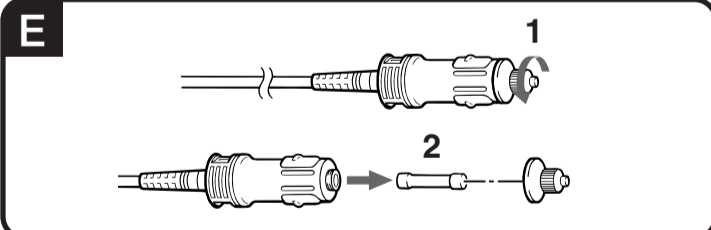
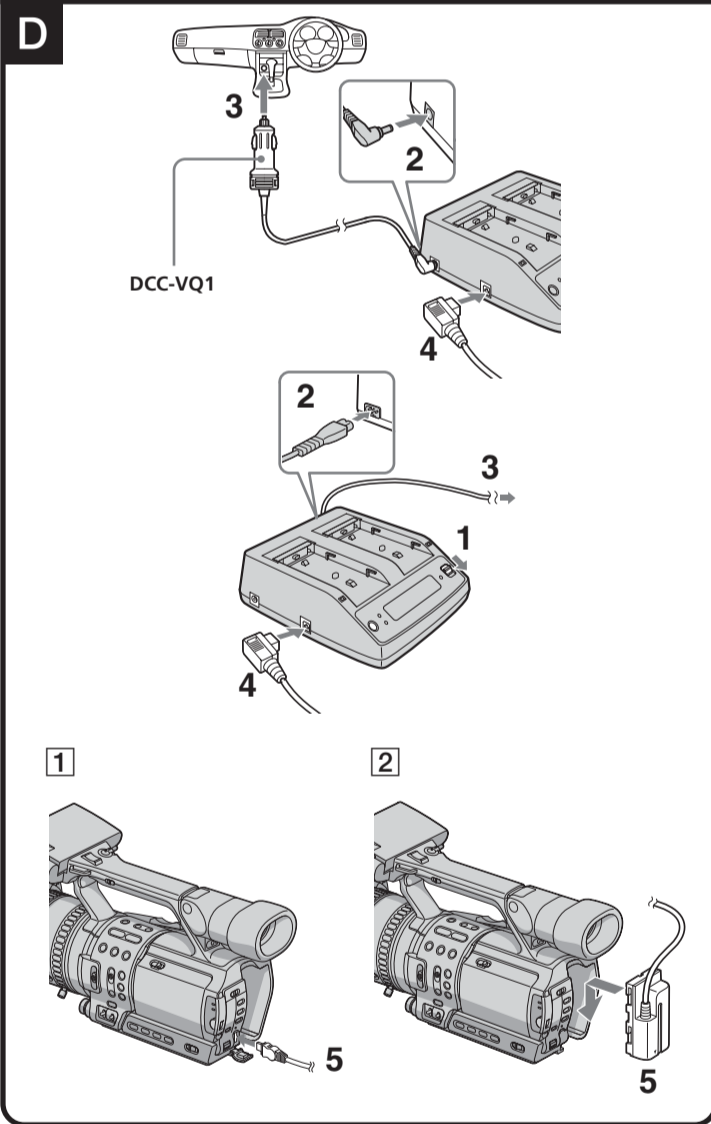
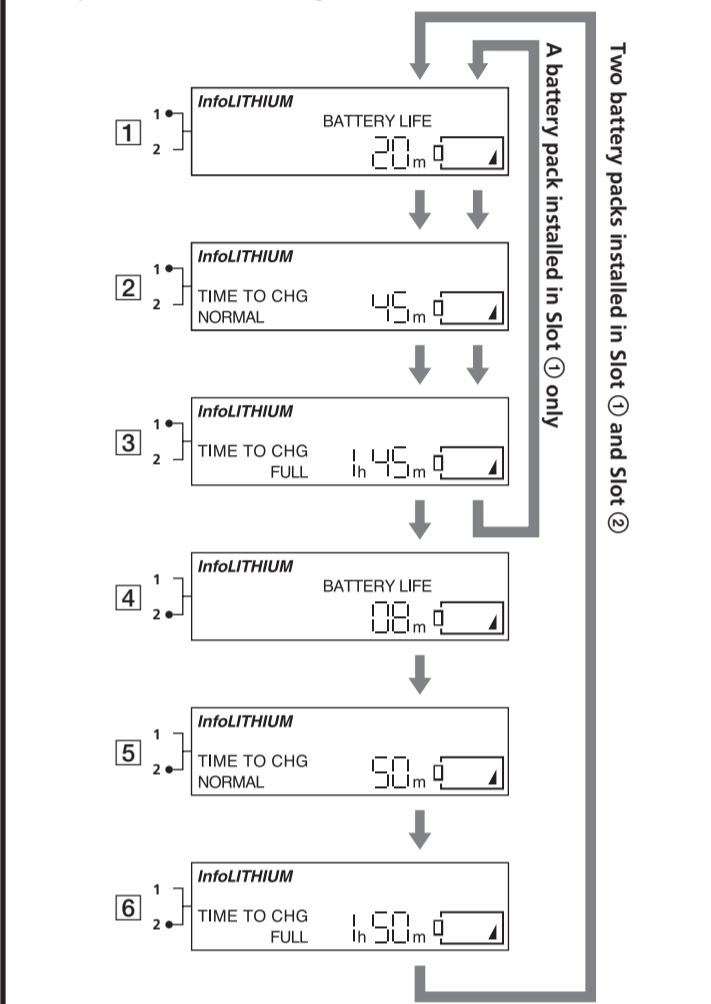
A moulded plug complying with BS 1363 is fitted to this equipment for your safety and convenience.

Should the fuse in the plug supplied need to be replaced, a fuse of the same rating as the supplied one and approved by ASTA or BSI to BS1362 (i.e., marked with Ⓢ or Ⓡ mark) must be used.

If the plug supplied with this equipment has a detachable fuse cover, be sure to attach the fuse cover after you change the fuse. Never use the plug without the fuse cover. If you should lose the fuse cover, please contact your nearest Sony service station.



The contents of the display window change each time you press the DISPLAY change button.



### English

Thank you for purchasing the Sony AC/DC Adaptor/Charger.

AC-VQ1050D/AC-VQ1050B is the model name for the AC-VQ1050 and its accessories.

Before operating the unit, please read this manual thoroughly and retain it for future reference.

The AC-VQ1050 AC Adaptor/Charger can be used as follows:

The AC-VQ1050 AC Adaptor/Charger can be used in your home or car. Connect the power cord (supplied) to a wall outlet, or connect the car battery cord DCC-VQ1 to the cigarette lighter socket in your car. (For negative (-) grounded vehicles only.)

• Connection cords are included with this unit to operate Sony equipment (camcorder, etc.).  
• For charging Sony rechargeable battery packs (L series).  
The following functions are available when charging "InfoLITHIUM" battery packs:  
- Quick charging (Faster than charging with your camcorder, etc.)  
- Approximate charging time and battery life can be displayed.

- For charging lithium ion type battery packs. Cannot be used to recharge Ni-Cd or Ni-MH type batteries.
- Cannot be used with some models of equipment (camcorder, etc.). Confirm the compatibility of your equipment before use.
- Some L series batteries may not have an L mark on the battery pack.

### What is "InfoLITHIUM" ?

"InfoLITHIUM" is a lithium ion battery pack which can exchange data with compatible electronic equipment about its battery consumption. We recommend that you use an "InfoLITHIUM" battery pack (L series) with electronic equipment that has the InfoLITHIUM mark.

"InfoLITHIUM" is a trademark of Sony Corporation.

### WARNING

To reduce fire or shock hazard, do not expose the unit to rain or moisture. To avoid electrical shock, do not open the cabinet. Refer servicing to qualified personnel only.

The AC Power cord must only be changed at a qualified service shop.

### CAUTION

Replace the battery with the specified type only. Otherwise, fire or injury may result.

### PRECAUTION

The set is not disconnected from the AC power source (mains) as long as it is connected to the wall outlet, even if the set itself has been turned off.



**Disposal of Old Electrical & Electronic Equipment (Applicable in the European Union and other European countries with separate collection systems)**

This symbol on the product or on its packaging indicates that this product shall not be treated as household waste. Instead it shall be handed over to the applicable collection point for the recycling of electrical and electronic equipment. By ensuring this product is disposed of correctly, you will help prevent potential negative consequences for the environment and human health, which could otherwise be caused by inappropriate waste handling of this product. The recycling of materials will help to conserve natural resources. For more detailed information about recycling of this product, please contact your local Civic Office, your household waste disposal service or the shop where you purchased the product.

### Notes on Use

This unit does not have dust-proof, splash-proof or water-proof specifications.

### Caution on battery life (Read carefully before use.)

While charging the battery pack, this unit shows the battery life if used with your video equipment, etc. so long as the following conditions are met.

- Using the "InfoLITHIUM" battery pack
  - Using electronic equipment with the InfoLITHIUM mark
- Make sure that you use a battery pack with the InfoLITHIUM mark. Check in the instruction manual supplied with your video equipment whether it is "InfoLITHIUM" compatible.

If you use a battery pack with electronic equipment that does not have the InfoLITHIUM mark, the battery life will not be indicated in minutes.\*

\*The indication may not be accurate due to the conditions and environment of use.

### Warranty for Recorded Content

Contents of the recording cannot be compensated if recording or playback is not made due to a malfunction of the battery pack, AC Power Adaptor, AC Power Adaptor/Charger, etc.

### We cannot provide compensation for image content

We cannot provide compensation for recorded content such as images and sound, if images are not recorded or played back due to a malfunction in the AC Adaptor/Charger, etc.

### Charging

Use only a lithium ion type battery pack. This unit cannot be used to charge a Ni-Cd/Ni-MH type battery pack.

- Attach the battery pack firmly.
- Charge the battery pack on a flat surface without vibration.

### Charging temperature

- For maximum battery efficiency, the recommended temperature range when charging is +10 °C to +30 °C (+50 °F to +86 °F). Charging becomes more difficult at lower temperatures.
- Although this unit enables quick charging, charging outside the recommended temperature range may lead to a longer charging time in order to protect the battery pack. Once the charging time has been extended, quick charging will not be restored even if the temperature is brought within the recommended temperature range. Remove and reinstall the battery to recharge it again.

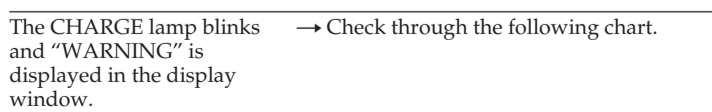
### Others

- A negligible amount of electric current will flow into the AC Adaptor/Charger as long as it is plugged into a wall outlet.
- Unplug the unit from the wall outlet if it will not be used for an extended period of time. To disconnect the cord, pull it out by the plug. Never pull the cord itself.
- Do not operate the unit with a damaged cord or if it has been dropped or damaged.
- Use this unit close to a wall outlet. This ensures that the power plug can be quickly unplugged from the wall outlet to turn off the power if a malfunction occurs during use.
- Only use this car battery Charger with a car that has a 12 or 24 volt battery.
- Some cars are negatively grounded and others are positively grounded. This unit is for negatively grounded cars only.
- Use the unit with the car engine running. If you use the unit with the car engine stopped, the car battery may go flat.
- Unplug the car battery cord from the cigarette lighter socket when not in use. To disconnect the cord, pull it out by the plug. Never pull the cord itself.
- The nameplate indicating the operating voltage, power consumption, etc. is located on the bottom.
- Make sure that nothing metallic comes into contact with the metal parts of the unit or connecting plate. If it does, a short may occur.
- Always keep the metal contacts clean.
- Do not disassemble or convert the unit.
- Do not apply mechanical shock or drop the unit.
- The unit becomes warm when in use. This is not a malfunction.
- Keep the unit away from AM receivers, otherwise it may disturb AM reception.
- Do not place the unit in a location where it is:
  - Extremely hot or cold
  - Dusty or dirty
  - Very humid
  - Vibrating
- Placing this unit in locations subject to direct sunlight such as on dashboards or near heating apparatus may cause the unit to deform or malfunction.

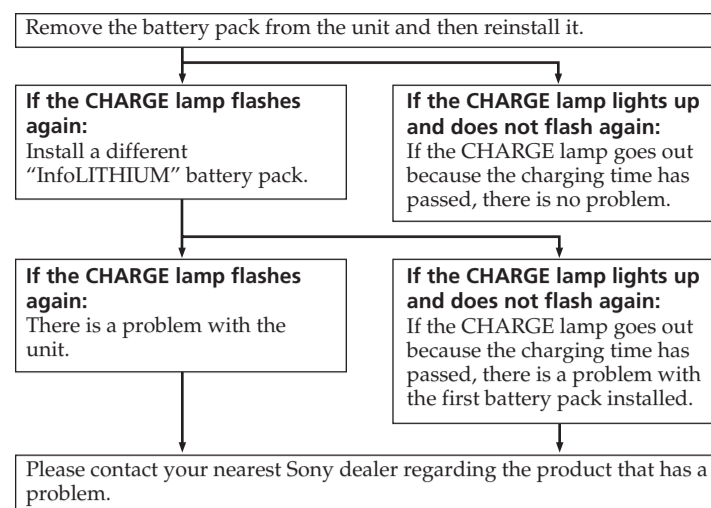
If any difficulty should arise, unplug the unit and contact your nearest Sony dealer.

### Troubleshooting

Symptom	Cause/Solution
Video equipment does not work.	<ul style="list-style-type: none"> <li>• The power plug is disconnected from the wall outlet.</li> <li>• The car battery cord DCC-VQ1 is disconnected from the cigarette lighter socket.                             <ul style="list-style-type: none"> <li>→ Insert into a wall outlet or cigarette lighter socket.</li> </ul> </li> <li>• The connector cable is not properly connected.                             <ul style="list-style-type: none"> <li>→ Connect properly.</li> </ul> </li> <li>• The mode change switch is set to CHARGE.                             <ul style="list-style-type: none"> <li>→ Set the mode change switch to VCR/CAMERA.</li> </ul> </li> </ul>
The battery is not charged.	<ul style="list-style-type: none"> <li>• The mode change switch is set to VCR/CAMERA.                             <ul style="list-style-type: none"> <li>→ Set the mode change switch to CHARGE.</li> </ul> </li> </ul>
Power immediately turns off even though there is sufficient battery life, or the displayed battery life differs from the actual battery life.	<ul style="list-style-type: none"> <li>• Fully charge again.                             <ul style="list-style-type: none"> <li>→ The battery life will be correctly displayed.</li> </ul> </li> </ul>
The display is not changed.	<ul style="list-style-type: none"> <li>→ Refer to "Caution on battery life (Read carefully before use.)".</li> </ul>
Quick charging is not performed.	<ul style="list-style-type: none"> <li>Quick charging is only performed with "InfoLITHIUM" battery packs. The display shown below may appear if a battery pack is charged outside of the recommended charging temperature range of +10 °C to +30 °C (+50 °F to +86 °F). Charging can still be performed in this case, but in order to protect the battery pack, quick charging is not performed.</li> </ul>



The CHARGE lamp blinks and "WARNING" is displayed in the display window. → Check through the following chart.



### Specifications

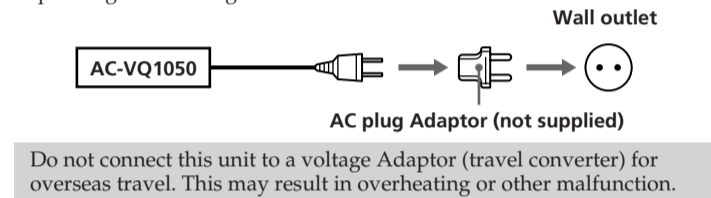
<b>AC-VQ1050</b>	
Power requirements	100 V - 240 V AC 50/60 Hz 22 W 12/24 V DC (only for negative grounded cars) DC OUT: 8.4 V 2.0 A in operating mode Battery charge terminal: 8.4 V 1.8 A in charge mode
Output voltage	
Operating temperature	0 °C to +40 °C (+32 °F to +104 °F)
Storage temperature	-20 °C to +60 °C (-4 °F to +140 °F)
Dimensions	Approx. 123 × 53 × 135 mm (w/h/d) (4 7/8 × 2 1/4 × 5 1/4 inches)
Mass	Approx. 390 g (13.8 oz.)
<b>DCC-VQ1</b>	
Input voltage	DC 12/24 V
Fuse rating	125 V 4 A
Cord length	Approx. 1.5 m
Mass	Approx. 80 g (3.0 oz.)
Included items	AC/DC Adaptor/Charger AC-VQ1050D AC Adaptor/Charger (AC-VQ1050) ..... (1) Connecting cord (DK-215) ..... (1) (DK-415) ..... (1) AC Power cord ..... (1) Car battery cord (DCC-VQ1) ..... (1) Set of printed documentation
	AC Adaptor/Charger AC-VQ1050B AC Adaptor/Charger (AC-VQ1050) ..... (1) Connecting cord (DK-215) ..... (1) AC Power cord ..... (1) Set of printed documentation

Design and specifications are subject to change without notice.

### Note

AC-VQ1050B is not supplied with Connecting cord (DK-415) and Car battery cord (DCC-VQ1).

Use a commercially available AC plug Adaptor (not supplied), if necessary, depending on the design of the wall outlet.



Do not connect this unit to a voltage Adaptor (travel converter) for overseas travel. This may result in overheating or other malfunction.

### Identifying the parts

- |                                      |                                   |
|--------------------------------------|-----------------------------------|
| 1 Terminal shutter                   | 13 "InfoLITHIUM" indicator        |
| 2 Slot ①                             | 14 WARNING indicator              |
| 3 DC IN connector (only for DCC-VQ1) | 15 TIME TO CHG (charge) indicator |
| 4 DC OUT connector                   | 16 Time indicator                 |
| 5 CHARGE lamp ①                      | 17 BATTERY LIFE indicator         |
| 6 Slot ②                             | 18 VCR/CAMERA indicator           |
| 7 CHARGE lamp ②                      | 19 Full charge indicator          |
| 8 Mode change switch                 | 20 Battery life indicator         |
| 9 QUICK MODE lamp                    |                                   |
| 10 Display window                    |                                   |
| 11 Slot indicator lamp               |                                   |
| 12 DISPLAY change button             |                                   |

### To Charge the Battery Pack

When the AC Power cord and car battery cord DCC-VQ1 are connected at the same time, power input from the battery cord is given priority. Also refer to the instruction manual of your video equipment.

- 1 Set the mode change switch to CHARGE.
- 2 Connect the AC Power cord or the car battery cord to this unit.
- 3 Connect the AC Power cord to a wall outlet or a cigarette lighter socket. There is a beep and the display window comes on.
- 4 Install the battery pack. Charging begins. When the battery life indicator becomes and the CHARGE lamp lights up, normal charge is completed. The QUICK MODE lamp lights up during quick charging. For a full charge, which allows you to use the battery slightly longer than a "normal charge", leave the battery pack installed until the battery life indicator becomes and the CHARGE lamp goes out. Remove the battery pack when required. It can be used even if charging is not completed.
- 5 When charging is complete, remove the battery pack.

**Installing two battery packs simultaneously**  
This unit allows installation of two battery packs simultaneously. Charging starts with the battery pack installed in Slot ①. When two battery packs are installed but not simultaneously, charging starts with the battery pack installed first regardless of whether it is in Slot ① or ②.

### Note

This unit cannot charge two battery packs simultaneously.

### PRECAUTION

The set is not disconnected from the AC power source (wall outlet) as long as it is connected to the wall outlet, even if the set itself has been turned off.

### To install the battery pack

- ① Place the battery pack on this unit with the ◀ mark facing the terminal shutter.
- ② Slide the battery pack in the direction of the arrow. Press the battery pack until the terminal shutter completely enters the unit.

### To remove the battery pack

Slide the battery pack in the direction of the arrow and lift it straight out.

- Notes**
- Do not lift the unit by holding the battery pack.
  - When installing the battery pack, be sure not to hit it against the terminal shutter.
  - Be careful not to pinch your fingers while installing or removing the battery pack.

### Charging time

The following table shows the charging time for a main battery pack that has been completely discharged.

Quick Charge	NP-F970	NP-F770	NP-F570	NP-F730
<b>Normal charge</b>	250 min	170 min	85 min	100 min
<b>Full charge</b>	310 min	230 min	145 min	160 min

- For how to check the battery life, refer to the instruction manual of your video equipment.
- The charging time may differ depending on the condition of the battery pack or the ambient temperature.
- The approximate times shown are when charging an empty battery pack with this unit at +25 °C.

### Notes

- If the mode change switch is set to VCR/CAMERA during charging, charging stops.
- If the CHARGE lamp does not light up or flash, check that the battery pack is correctly attached to the AC Adaptor/Charger. If it is not attached correctly, it will not be charged.
- Quick charging is only performed with "InfoLITHIUM" battery packs.
- If anything goes wrong during charging, the charge lamp blinks and "WARNING" appears on the display. For details, see "Troubleshooting".

### To Check Charging

See illustration

You can check the charging time on the display during charging. About one minute after charging starts, BATTERY LIFE lights up on the display. The battery life displayed is the approximate time remaining for taking photographs using the viewfinder. The battery life is shorter if the LCD display is used. The battery life may not be displayed with certain video equipment. For details, refer to "Caution on battery life (Read carefully before use)".

### Press DISPLAY during charging.

Once about one minute has passed after installing the battery pack, the contents of the display window change each time you press the DISPLAY change button. The slot indicator lamp shows the slot number for the battery information displayed. When two battery packs are installed simultaneously, the time display of the battery pack not being charged returns automatically after about 10 seconds to the time display of the battery pack being charged. Here is an example of installing a battery pack in Slot ① followed by another in Slot ②. The slot indicator lamp corresponds to the slot number.

- 1 Battery life if the first installed battery pack is installed in your "InfoLITHIUM" electronic equipment. The battery life is not displayed if it is less than five minutes.
- 2 Remaining time until normal charging of the first installed battery pack is complete. The normal charge time is not displayed after normal charging is complete.
- 3 Remaining time until full charging of the first installed battery pack is complete. The full charge time is not displayed after full charging is complete.
- 4 Battery life if the last installed battery pack is installed in your "InfoLITHIUM" electronic equipment. The battery life is not displayed if it is less than five minutes.
- 5 Remaining time until normal charging of the last installed battery pack is complete. The normal charge time is not displayed after normal charging is complete.
- 6 Remaining time until full charging of the last installed battery pack is complete. The full charge time is not displayed after full charging is complete.

### Notes

- The time display shows the approximate time when charging at +25 °C. The time display may differ from the actual charging time due to the environment of use.
- The time display of the battery pack on the side not being charged may take some time to appear.
- The time display may show "----" in the following cases. This is not a malfunction.
  - The battery life is less than 5 minutes.
  - There is a difference between the displayed time and actual charging time. Even if this happens, continue charging.
  - When charging a battery other than an "InfoLITHIUM" battery pack (Battery life display and other functions are not available.)
- Full charging requires about one hour after normal charging is complete. If you remove the battery pack between normal charge and full charge, the charging time may not be displayed properly in the next charging.
- When charging a battery that has not been used for a long time, the displayed battery life and full charge time sometimes differ from the actual times. This is not a malfunction. If this happens, fully charge the battery pack. The correct times can then be displayed.
- If you install a fully charged battery pack in this unit, "TIME TO CHG FULL Lth" may appear on the display. This is not a malfunction.
- It may take some time after pressing DISPLAY for the time to be displayed.
- To display the battery life of a new battery, first install it in your video camera recorder and use it for about 20 seconds, and then charge it with this unit.
- It may take some time for the time to be displayed for the battery pack that is not being charged. Sometimes the time may not be displayed at all due to the condition of the battery pack. Neither case is a malfunction.
- In the following cases, some deviance may occur in the time displayed. This is not due to any malfunction.
  - If the battery pack is removed from this unit after normal charge is finished but before full charge is finished. (It takes about one hour from when normal charge is complete to when full charge is complete.)
  - When charging a battery pack that has not been used for a long time. (Fully charge once first.)

### To Operate Video Equipment

See illustration

For details of connection, refer to the instruction manual of the video equipment.

- 1 Set the mode change switch to VCR/CAMERA.
- 2 Connect the AC Power cord or car battery cord to this unit.
- 3 Connect the AC Power cord to a wall outlet or cigarette lighter socket.
- 4 Connect the connecting cord to the DC OUT connector of this unit.
- 5 Connect the connecting cord to the video equipment. When using the connecting cord DK-215 (ill. ). When using the connecting cord DK-415 (ill. ).

### Notes

- Setting the mode change switch to CHARGE while operating the video equipment cuts the power supply to the video equipment.
- You cannot charge a battery pack installed in this unit when in VCR/CAMERA mode.
- Keep this unit away from your video equipment if the image is distorted.
- The DK-415 connecting cord is only for use with devices compatible with Rechargeable battery packs (L series). Confirm the compatibility of your device.
- The connecting cord supplied with this unit may be unusable with your video camera. In this case, use the connecting cord supplied with your video camera.
- The illustrated example is of connection to an HDR-FX1 digital HD video camera recorder.

### Fuse Replacement

See illustration

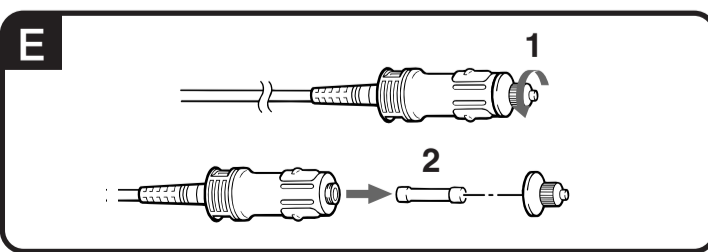
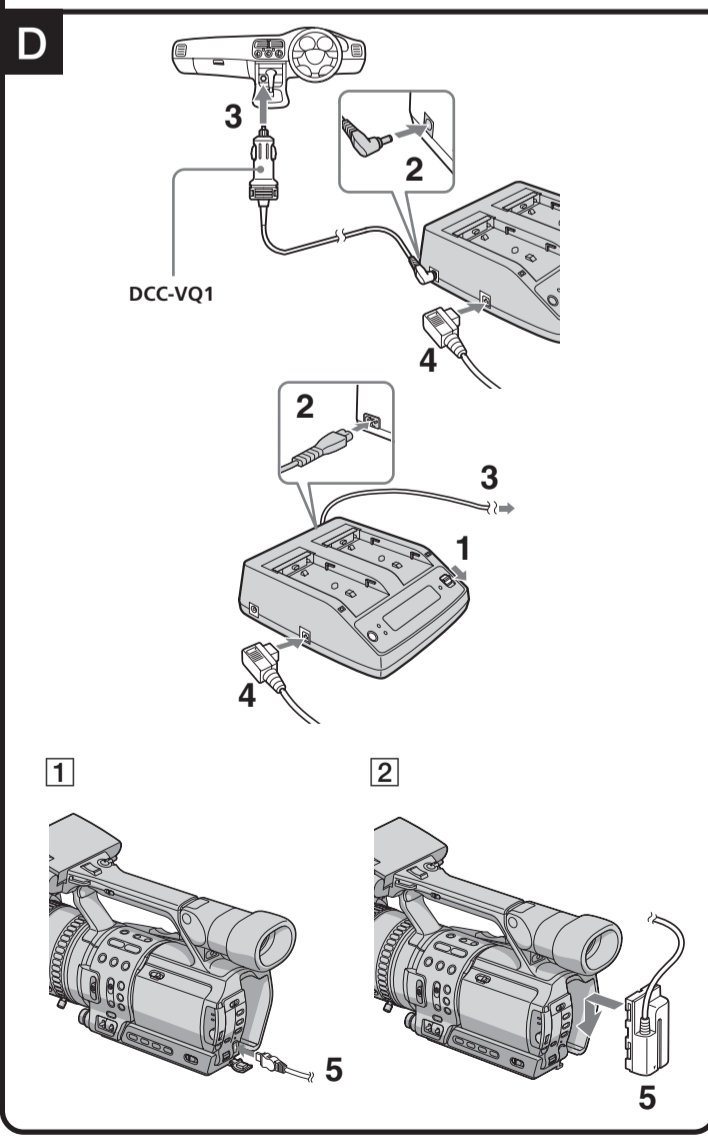
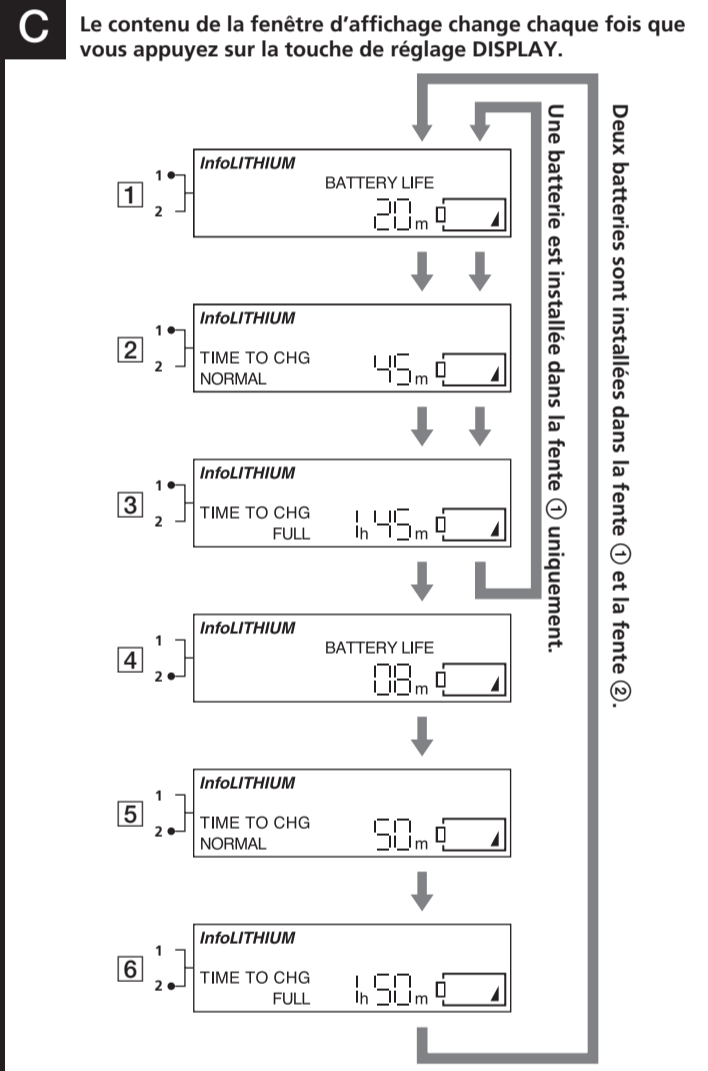
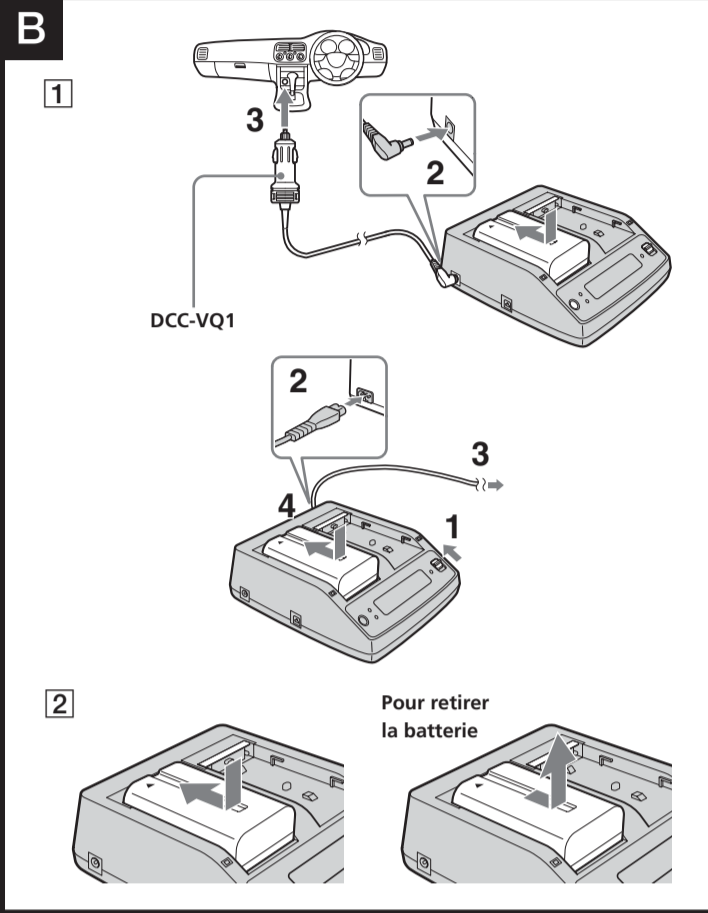
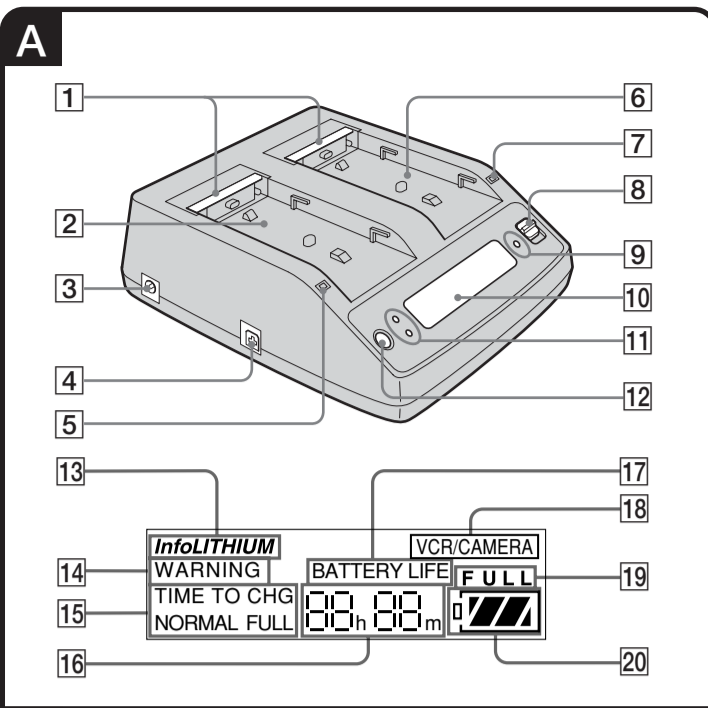
If this unit does not work properly while using DCC-VQ1, check to see if the fuse has blown. If it has, replace it as follows.

- 1 Twist the end of the plug and remove it.
- 2 Remove the blown fuse.
- 3 Insert a new fuse and twist the end of the plug to tighten.

### Notes

- Replace the fuse with a fuse with the same rating (4 A, 125 V).
- If your car's cigarette lighter socket is dirty with ash, etc., the plug part can become hot due to a poor connection. Always clean before use.
- Do not replace the fuse with anything except a fuse with the specified rating.
- If the new fuse blows soon after replacement, consult your nearest Sony dealer.

Contact your car dealer about the polarity of your car's grounding, the voltage of your car battery, etc.



## Français

Nous vous remercions pour l'achat de cet adaptateur secteur CA/CC/chargeur Sony.

Le nom AC-VQ1050D/AC-VQ1050B est le nom de modèle désignant l'AC-VQ1050 et ses accessoires.

Avant d'utiliser l'appareil, veuillez lire attentivement ce manuel et le conserver pour toute référence future.

L'adaptateur secteur/chargeur AC-VQ1050 peut être utilisé comme suit :

**L'adaptateur secteur/chargeur AC-VQ1050 peut être utilisé chez vous ou dans votre voiture. Raccordez le cordon d'alimentation (fourni) à une prise murale ou raccordez le cordon allume-cigares DCC-VQ1 à la prise de l'allume-cigare de votre voiture. (pour les véhicules avec masse négative (-) uniquement.)**

- Les cordons de raccordement sont fournis avec cet appareil pour utiliser les appareils Sony (caméscope, etc.).
- Pour charger les batteries Sony (série L).

Les fonctions suivantes sont disponibles lorsque vous chargez des batteries « InfoLITHIUM » :

- Charge rapide
- (Plus rapide que la charge avec votre caméscope, etc.)
- L'autonomie et le temps de charge approximatifs peuvent être affichés.

- Pour charger des batteries au lithium-ion. Les batteries au Ni-Cd ou Ni-MH ne peuvent pas être chargées.
- Certains modèles d'appareils ne sont pas compatibles (caméscope, etc.). Vérifiez la compatibilité de votre appareil avant toute utilisation.
- Il est possible que certaines batteries de série L ne portent pas la marque L.

### Que signifie « InfoLITHIUM » ?

Les batteries « InfoLITHIUM » sont des batteries au lithium-ion qui peuvent échanger des informations sur leur consommation avec des appareils électroniques compatibles. Nous vous recommandons d'utiliser une batterie « InfoLITHIUM » (série L) avec les appareils électroniques portant la marque **InfoLITHIUM**.

« InfoLITHIUM » est une marque commerciale de Sony Corporation.

## AVERTISSEMENT

Afin de réduire les risques d'incendie ou de décharge électrique, n'exposez pas cet appareil à la pluie ou à l'humidité.

Pour prévenir les risques d'électrocution, ne pas ouvrir le boîtier. Ne confier l'entretien de l'appareil qu'à un technicien qualifié.

**Le cordon d'alimentation secteur doit être remplacé dans un centre de réparations agréé uniquement.**

## ATTENTION

Remplacer la pile par une pile du type spécifique uniquement. Sinon, cela peut provoquer un incendie ou des blessures.

## PRECAUTION

L'appareil n'est pas déconnecté de la source d'alimentation secteur tant qu'il reste branché sur la prise murale, même s'il a été mis hors tension.



Une batterie est installée dans la fente ① uniquement. Deux batteries sont installées dans la fente ② et la fente ③.

## Remarques sur l'utilisation

Cet appareil n'est pas étanche à la poussière, aux projections d'eau et à l'eau en général.

**Avertissement concernant l'autonomie de la batterie (à lire attentivement avant utilisation)**

Pendant la charge de la batterie, cet appareil indique l'autonomie de celle-ci pour une utilisation avec votre appareil vidéo, etc. si les conditions suivantes sont remplies.

- Vous utilisez une batterie « InfoLITHIUM »
- Vous utilisez un appareil électronique portant la marque **InfoLITHIUM**

Assurez-vous que la batterie que vous utilisez porte bien la marque **InfoLITHIUM**. Consultez le mode d'emploi fourni avec votre appareil vidéo pour savoir s'il s'agit d'un appareil « InfoLITHIUM ».

Si vous utilisez une batterie avec un appareil électronique ne portant pas la marque **InfoLITHIUM**, l'autonomie de la batterie n'est pas indiquée en minutes.\*

\* Il se peut que l'indication ne soit pas précise, en fonction de l'environnement et de la situation dans lesquels l'appareil est utilisé.

### Garantie concernant l'enregistrement

Aucune compensation ne peut être accordée si l'enregistrement ou la lecture n'a pas pu être effectué en raison d'un problème de batterie, d'adaptateur secteur, d'adaptateur secteur/chargeur, etc.

### Aucune compensation en cas de perte d'images

Aucune compensation ne peut être accordée pour le contenu (image ou son) si l'enregistrement ou la lecture n'ont pu être effectués en raison d'un mauvais fonctionnement de l'adaptateur secteur/chargeur, etc.

## Mise en charge

N'utilisez que des batteries au lithium-ion. Cet appareil ne peut pas être utilisé pour charger des batteries au Ni-Cd ou Ni-MH.

- Fixez bien la batterie.
- Mettez la batterie en charge sur une surface plane et sans vibrations.

**Température de charge**

- La batterie à une capacité maximale si la charge est effectuée à une température comprise entre +10 °C et +30 °C. La charge s'avère difficile à des températures inférieures à ce seuil.
- Bien que cet appareil permette des charges rapides, le temps de charge sera plus long en dehors de la plage de température recommandée afin de protéger la batterie. Une fois que le temps de charge a été allongé, une charge rapide n'est plus possible même si la température revient dans la plage de température recommandée. Retirez la batterie, puis réinstallez-la pour la recharger de nouveau.

## Divers

- Une quantité négligeable d'électricité circule dans l'adaptateur secteur/chargeur tant qu'il reste branché sur une prise murale.
- Débranchez l'appareil de la prise murale si vous n'avez pas l'intention de l'utiliser pendant un certain temps. Pour déconnecter le cordon, tirez-le par la fiche. Ne tirez jamais directement sur le cordon.
- N'utilisez pas l'appareil lorsque le cordon est endommagé ou si l'appareil est tombé ou a été endommagé.
- Utilisez cet appareil près d'une prise murale. Vous pourrez ainsi débrancher rapidement la fiche de la prise murale pour éteindre l'appareil en cas de problème.
- N'utilisez ce chargeur allume-cigares que dans des voitures avec batterie de 12 ou 24 volts.
- Il existe des voitures à masse positive et d'autres à masse négative.

**Cet appareil ne doit être utilisé que dans les voitures à masse négative.**

- Lorsque vous utilisez l'appareil, laissez tourner le moteur de la voiture, sinon la batterie de celle-ci risque de se décharger.
- Débranchez le cordon allume-cigares de la douille allume-cigares lorsque vous ne l'utilisez pas. Pour débrancher le cordon, tirez-le par la fiche et jamais directement sur le cordon.
- La plaque signalétique indiquant la tension de fonctionnement, la consommation électrique, etc. se trouve sous l'appareil.
- Veillez à ce qu'aucun objet métallique ne touche les pièces métalliques de l'appareil ou de la plaque de connexion. Sinon un court-circuit pourrait se produire.
- Gardez toujours les contacts métalliques bien propres.
- Ne démontez pas et ne modifiez pas l'appareil.
- Ne heurtez pas l'appareil et ne le laissez pas tomber.
- L'appareil devient chaud pendant le fonctionnement. Il ne s'agit pas d'un problème de fonctionnement.
- Ne laissez pas l'appareil près de récepteurs AM, sinon il risque de perturber la réception AM.

- Ne rangez pas l'appareil dans des endroits :
  - extrêmement chauds ou froids ;
  - poussiéreux ou sales ;
  - très humides ;
  - soumis à des vibrations.
- N'exposez pas cet appareil à la lumière directe du soleil, comme sur le tableau de bord d'une voiture ni à la chaleur d'un appareil de chauffage, car il pourrait être déformé ou ne plus fonctionner.

En cas de difficulté, débranchez l'appareil et contactez votre revendeur Sony.

## Dépannage

Symptôme	Cause/Remède
L'appareil vidéo ne fonctionne pas.	<ul style="list-style-type: none"> <li>• La fiche d'alimentation est débranchée de la prise murale.</li> <li>• Le cordon allume-cigares DCC-VQ1 est débranché de la douille allume-cigares. → Branchez-le sur une prise secteur ou une douille allume-cigares.</li> <li>• Le câble du connecteur n'est pas raccordé correctement.</li> <li>→ Raccordez-le correctement.</li> <li>• Le sélecteur de réglage du mode est réglé sur CHARGE. → Réglez le sélecteur de mode sur VCR/CAMERA.</li> </ul>
La batterie n'est pas chargée.	<ul style="list-style-type: none"> <li>• Le sélecteur de réglage du mode est réglé sur VCR/CAMERA. → Réglez le sélecteur de mode sur CHARGE.</li> </ul>
L'alimentation est tout de suite coupée, bien que l'autonomie de la batterie soit suffisante ou le temps restant affiché soit différent du temps réel.	<ul style="list-style-type: none"> <li>• Procédez de nouveau à une charge complète de la batterie. → L'autonomie de la batterie s'affichera correctement.</li> </ul>
L'affichage ne change pas.	→ Reportez-vous à la section « Avertissement concernant l'autonomie de la batterie (à lire attentivement avant utilisation) ».

La charge rapide n'est pas effectuée.

La charge rapide s'effectue uniquement avec des batteries « InfoLITHIUM ». L'affichage ci-dessous peut apparaître si une batterie est chargée en dehors de la plage de températures recommandées, comprises entre +10 °C et +30 °C. Dans ce cas, la charge peut tout de même être effectuée mais la charge rapide est désactivée pour protéger la batterie.



Le voyant CHARGE clignote et « WARNING » apparaît dans la fenêtre d'affichage.

Retirez la batterie de l'appareil, puis remettez-la en place.

**Si le témoin CHARGE clignote encore :**  
Installez une autre batterie « InfoLITHIUM ».

**Si le voyant CHARGE s'allume mais ne clignote plus :**  
Si le voyant CHARGE s'éteint parce que la batterie est chargée, il n'y a aucun problème.

**Si le témoin CHARGE clignote encore :**  
Le problème vient de l'appareil.

**Si le voyant CHARGE s'allume mais ne clignote plus :**  
Si le voyant CHARGE s'éteint parce que la batterie est chargée, le problème vient de la première batterie installée.

Contactez votre revendeur Sony et apportez-lui l'appareil qui ne fonctionne pas.

## Spécifications

Alimentation requise	100 V – 240 V CA 50/60 Hz 22 W 12/24 V CC (pour les véhicules avec masse négative uniquement) DC OUT : 8,4 V 2,0 A en mode de fonctionnement Borne de recharge de la batterie : 8,4 V 1,8 A en mode de charge
Tension de sortie	0 °C à +40 °C (+32 °F à +104 °F) –20 °C à +60 °C (–4 °F à +140 °F) environ 123 × 53 × 135 mm (l/h/p) (4 7/8 × 2 1/8 × 5 3/8 poches) environ 390 g (13,8 on)
Température de fonctionnement	
Température d'entreposage	
Dimensions	
Poids	
DCC-VQ1	
Tension d'entrée	12/24 V CC
Capacité du fusible	125 V 4 A
Longueur du cordon	environ 1,5 m
Poids	environ 80 g (3,0 on)

Articles inclus	
Adaptateur secteur CA/CC/chargeur AC-VQ1050D	
Adaptateur secteur/chargeur (AC-VQ1050) ... (1)	
Cordon de raccordement (DK-215) ..... (1)	
..... (DK-415) ..... (1)	
Cordon d'alimentation secteur ..... (1)	
Cordon allume-cigares (DCC-VQ1) ..... (1)	
Jeu de documents imprimés	
Adaptateur secteur/chargeur AC-VQ1050B	
Adaptateur secteur/chargeur (AC-VQ1050) ... (1)	
Cordon de raccordement (DK-215) ..... (1)	
Cordon d'alimentation secteur ..... (1)	
Jeu de documents imprimés	

La conception et les spécifications sont sujettes à modifications sans préavis.

## Remarque

L'AC-VQ1050B n'est pas fourni avec un cordon de raccordement (DK-415) ni un cordon allume-cigares (DCC-VQ1).

Ne pas raccorder cet appareil à un adaptateur de tension (convertisseur) prévu pour les voyages à l'étranger. Il pourrait chauffer et être endommagé.

## Nomenclature

1 Obturateur de borne	13 Indicateur « InfoLITHIUM »
2 Fente ①	14 Indicateur WARNING (avertissement)
3 Connecteur DC IN (DCC-VQ1 uniquement)	15 Indicateur TIME TO CHG (charge)
4 Connecteur DC OUT	16 Indicateur de durée
5 Voyant CHARGE ②	17 Indicateur BATTERY LIFE (autonomie de la batterie)
6 Fente ②	18 Indicateur VCR/CAMERA
7 Voyant CHARGE ②	19 Indicateur de charge complète
8 Sélecteur de réglage du mode	20 Indicateur d'autonomie de la batterie
9 Témoin QUICK MODE	
10 Fenêtre d'affichage	
11 Témoin de fente	
12 Touche de réglage DISPLAY (affichage)	

## Pour charger la batterie

Si le cordon d'alimentation secteur et le cordon allume-cigares DCC-VQ1 sont raccordés en même temps, le cordon allume-cigares fournit l'électricité en priorité. Reportez-vous également au mode d'emploi fourni avec votre appareil vidéo.

- 1 Réglez le sélecteur de réglage du mode sur CHARGE.
- 2 Raccordez le cordon d'alimentation secteur ou le cordon allume-cigares à cet appareil.
- 3 Raccordez le cordon d'alimentation secteur à une prise murale ou une douille allume-cigares. Un bip est émis et la fenêtre d'affichage est activée.
- 4 Installez la batterie. La charge commence. Lorsque l'indicateur d'autonomie de la batterie devient et que le voyant CHARGE s'allume, la charge normale est terminée. Le témoin QUICK MODE s'allume pendant la charge rapide. Pour une charge complète, qui vous permet d'utiliser la batterie légèrement plus longtemps qu'une « charge normale », laissez la batterie en place jusqu'à ce que l'indicateur d'autonomie de la batterie devienne et que le voyant CHARGE s'éteigne. Retirez la batterie si nécessaire. Elle peut être utilisée même si elle n'est pas entièrement chargée.
- 5 Lorsque la charge est terminée, retirez la batterie.

**Installation simultanée de deux batteries**  
Cet appareil permet d'installer deux batteries simultanément. La batterie qui se trouve dans la fente ① est chargée en premier. Si les deux batteries sont installées une après l'autre, la charge commence par la première batterie installée, qu'elle se trouve dans la fente ① ou ②.

## Remarque

Cet appareil ne permet pas de charger deux batteries simultanément.

## PRECAUTION

L'appareil reste connecté à la source d'alimentation secteur (prise secteur) tant qu'il est raccordé à la pris murale, même s'il a été mis hors tension.

## Pour installer la batterie

- Voir l'illustration **B-2**.
  - ① Placez la batterie sur cet appareil avec le repère **◀** orienté vers l'obturateur de borne.
  - ② Faites glisser la batterie dans le sens de la flèche.
- Appuyez sur la batterie jusqu'à ce que l'obturateur de borne soit complètement introduit dans l'appareil.

## Pour retirer la batterie

• Voir l'illustration **B-2**.

Faites glisser la batterie dans le sens de la flèche, puis tirez-la tout droit.

## Remarques

- Ne soulevez pas l'appareil en saisissant la batterie.
- Lorsque vous installez la batterie, veillez à ne pas heurter l'obturateur de la borne.
- Faites attention à ne pas vous pincer les doigts lorsque vous installez ou retirez la batterie.

## Temps de charge

Le tableau suivant indique le temps de charge quand la batterie principale est complètement déchargée.

Charge rapide	NP-F970	NP-F770	NP-F570	NP-F730
Charge normale	250 min	170 min	85 min	100 min
Charge complète	310 min	230 min	145 min	160 min

- Reportez-vous au mode d'emploi fourni avec votre appareil vidéo pour savoir comment vérifier l'autonomie de la batterie.
- Le temps de charge peut varier selon l'état de la batterie ou la température ambiante.
- Les temps approximatifs indiqués correspondent à la charge d'une batterie vide avec cet appareil à +25 °C.

## Remarques

- Si le sélecteur de réglage du mode est réglé sur VCR/CAMERA pendant la charge, celle-ci s'arrête.
- Si le voyant CHARGE ne s'allume pas ou clignote, vérifiez que la batterie est installée correctement sur l'adaptateur secteur/chargeur. Si elle n'est pas installée correctement, elle ne charge pas.
- La charge rapide est uniquement effectuée avec des batteries « InfoLITHIUM ».
- En cas de problème pendant la mise en charge, le voyant de charge clignote et « WARNING » apparaît dans la fenêtre d'affichage. Pour plus de détails, reportez-vous à la section « Dépannage ».

## Pour vérifier la charge

• Voir l'illustration **C**.

Pendant la mise en charge, vous pouvez vérifier le temps de charge sur la fenêtre d'affichage. Environ une minute après le début de la mise en charge, le témoin BATTERY LIFE s'allume dans la fenêtre d'affichage. L'autonomie indiquée correspond à l'autonomie restante approximative lorsque vous prenez des photos avec le viseur. L'autonomie est plus courte si vous utilisez l'écran LCD.

Il est possible que l'autonomie de la batterie ne s'affiche pas avec certains appareils vidéo. Pour plus de détails, reportez-vous à la section « Avertissement concernant l'autonomie de la batterie (à lire attentivement avant utilisation) ».

## Appuyez sur DISPLAY pendant la mise en charge.

Environ une minute après avoir installé la batterie, le contenu de la fenêtre d'affichage change chaque fois que vous appuyez sur la touche de réglage DISPLAY. Le témoin de fente indique le numéro de la fente correspondant aux informations sur la batterie affichées. Lorsque deux batteries sont installées simultanément, l'indication de la batterie qui n'est pas chargée est automatiquement remplacée par l'indication du temps de la batterie chargée dans les 10 secondes qui suivent.

L'exemple suivant montre l'installation d'une batterie dans la fente ① puis d'une autre batterie dans la fente ②. Le témoin de fente correspond au numéro de fente.

- 1 Autonomie si la première batterie installée est placée dans votre appareil électronique « InfoLITHIUM ». L'autonomie n'est pas affichée si elle est inférieure à cinq minutes.
- 2 Temps restant jusqu'à la fin d'une charge normale de la première batterie installée. Le temps de charge normal n'est pas affiché lorsque la charge est terminée.
- 3 Temps restant jusqu'à la fin d'une charge complète de la première batterie installée. Le temps de charge complète n'est pas affiché lorsque la charge complète est terminée.
- 4 Autonomie de la batterie si la dernière batterie installée est placée dans votre appareil électronique « InfoLITHIUM ». L'autonomie n'est pas affichée si elle est inférieure à cinq minutes.
- 5 Temps restant jusqu'à la fin d'une charge normale de la dernière batterie installée. Le temps de charge normale n'est pas affiché lorsque la charge est terminée.
- 6 Temps restant jusqu'à la fin d'une charge complète de la dernière batterie installée. Le temps de charge complète n'est pas affiché lorsque la charge complète est terminée.

## Remarques

- Le temps indiqué est approximatif lorsque la mise en charge est effectuée à +25 °C. Il peut varier par rapport au temps de charge réel selon l'environnement d'utilisation.
- L'affichage du temps de la batterie non chargée peut prendre un moment.
- « — — — » peut apparaître dans la fenêtre d'affichage dans les cas suivants. Il ne s'agit pas d'un problème de fonctionnement.
  - L'autonomie de la batterie est inférieure à 5 minutes.
  - Il y a une différence entre le temps affiché et le temps de charge réel. Continuez quand même la mise en charge si cela se produit.
  - Si vous chargez une batterie autre qu'une batterie « InfoLITHIUM » (l'affichage de l'autonomie ainsi que d'autres fonctions ne sont pas disponibles).
- Une charge complète prend environ une heure après la fin de la charge normale. Si vous retirez la batterie entre la charge normale et la charge complète, le temps de charge risque de ne pas être indiqué correctement lors de la mise en charge suivante.
- Lorsque vous chargez une batterie qui n'a pas été utilisée depuis longtemps, l'autonomie indiquée et le temps de charge complète peuvent être inexacts. Il ne s'agit pas d'un problème de fonctionnement. Dans ce cas, chargez de nouveau la batterie. Les temps seront alors affichés correctement.
- Si vous installez une batterie entièrement chargée sur cet appareil, « TIME TO CHG FULL 1h » peut apparaître dans la fenêtre d'affichage. Il ne s'agit pas d'un problème de fonctionnement.
- L'affichage du temps peut prendre un moment après avoir appuyé sur DISPLAY.
- Pour afficher l'autonomie d'une batterie neuve, insérez-la d'abord sur votre caméscope vidéo et utilisez-la pendant environ 20 secondes, puis chargez-la sur cet appareil.
- Il faut attendre un moment pour que le temps de la batterie qui n'est pas chargée soit indiqué. En outre, dans certains cas, le temps n'est pas indiqué du tout en raison de l'état de la batterie. Il ne s'agit absolument pas d'un problème de fonctionnement.
- Dans les cas suivants, le temps affiché peut être légèrement décalé :
  - Toutefois, ceci n'a rien d'anormal.
  - Si vous retirez la batterie de cet appareil à la fin d'une mise en charge normale mais avant la fin d'une charge complète. (Une charge complète prend environ une heure à partir du moment où la charge normale est terminée).
  - Lorsque vous chargez une batterie qui n'a pas été utilisée pendant longtemps. (Chargez-la d'abord complètement.)

## Pour utiliser un appareil vidéo

Pour plus d'informations sur le raccordement, reportez-vous au mode d'emploi de l'appareil vidéo.

- 1 Réglez le sélecteur de réglage du mode sur VCR/CAMERA.
- 2 Raccordez le cordon d'alimentation secteur ou le cordon allume-cigares à cet appareil.
- 3 Raccordez le cordon d'alimentation secteur à une prise murale ou une douille allume-cigares.
- 4 Raccordez le cordon de raccordement sur le connecteur DC OUT de cet appareil.
- 5 Raccordez le cordon de raccordement à l'appareil vidéo. Si vous utilisez le cordon de raccordement DK-215 (III. **D-1**) Si vous utilisez le cordon de raccordement DK-415 (III. **D-2**)

## Remarques

- Si vous réglez le sélecteur de réglage du mode sur CHARGE pendant l'utilisation de l'appareil vidéo, l'alimentation de ce dernier est coupée.

- Vous ne pouvez pas charger une batterie lorsqu'elle est installée sur cet appareil en mode VCR/CAMERA.
- Éloignez cet appareil de votre appareil vidéo s'il perturbe l'image.
- Le cordon de raccordement DK-415 est destiné exclusivement aux appareils compatibles avec les batteries rechargeables (série L). Vérifiez la compatibilité de votre appareil.
- Il est possible que le cordon de raccordement fourni avec cet appareil ne puisse pas être utilisé avec votre caméscope. Dans ce cas, utilisez le cordon de raccordement fourni avec votre caméscope.
- L'exemple de l'illustration représente le raccordement à un caméscope vidéo HD numérique HDR-FX1.

## Remplacement du fusible

• Voir l'illustration **B**.

Si cet appareil ne fonctionne pas correctement lors de l'utilisation du DCC-VQ1, vérifiez si le fusible n'a pas fondu. Si c'est le cas, remplacez-le de la façon suivante.

- 1 Tournez l'extrémité de la fiche et retirez-la.
- 2 Retirez le fusible qui a fondu.
- 3 Insérez un fusible neuf et tournez l'extrémité de la fiche pour la visser.

## Remarques

- Remplacez le fusible par un fusible de même ampérage (4 A, 125 V).
- Si la douille de l'allume-cigares de votre voiture est recouverte de cendres, etc., la fiche risque de chauffer à cause d'un mauvais contact. Nettoyez toujours la douille avant de l'utiliser.
- Remplacez le fusible uniquement par un fusible de l'ampérage spécifié.
- Si le nouveau fusible saute juste après avoir été remplacé, consultez votre revendeur Sony.

Contactez votre concessionnaire auto concernant la polarité de la masse de la voiture, la tension de la batterie de la voiture, etc.