

Pre-Release Cut Sheet!

SONY

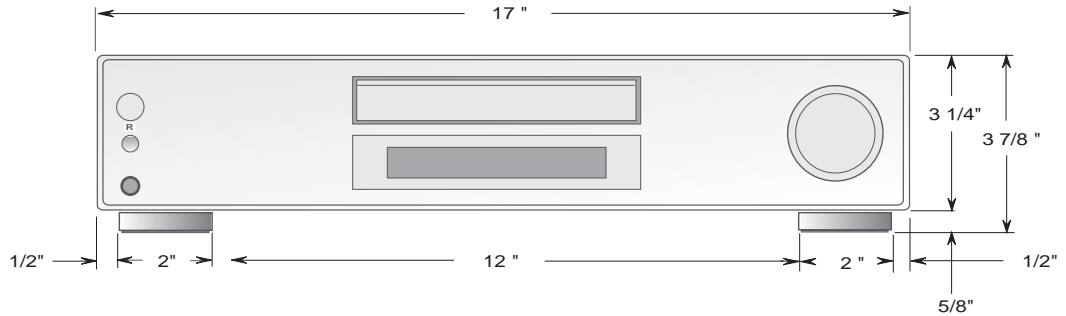
AVD-S500ES

DESCRIPTION: DVD Changer
Receiver
DIMENSIONS (WHD): 17 " x 3 7/8 " x 18 "
WEIGHT: TBD

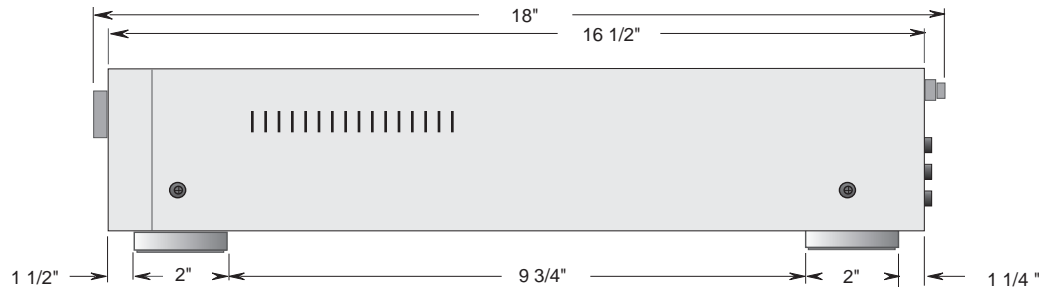
POWER REQUIREMENTS: 120V AC
60Hz
POWER CONSUMPTION: TBD

RM-SP50 REMOTE COMMANDER

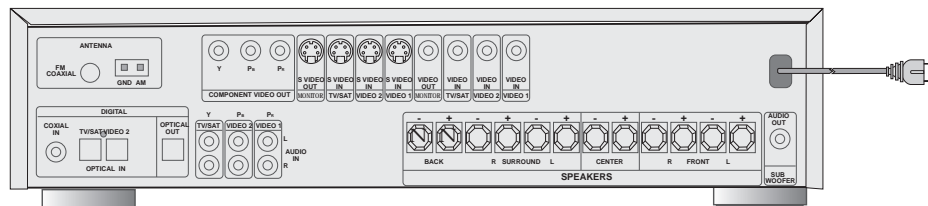
FRONT VIEW



SIDE VIEW



BACK VIEW



NOTE:
WHERE THERE ARE CLOSE TOLERANCES INVOLVED IN CABINET BUILDING OR APPLICATIONS WHICH REQUIRE A GREAT DEGREE OF PRECISION WE RECOMMEND THAT THE PRODUCT ITSELF BE USED TO MAKE THE ACTUAL MEASUREMENTS. SONY WILL NOT BE RESPONSIBLE FOR INACCURACIES IN THE DESIGN OR MANUFACTURE OF ENCLOSURES .