

SONY

CDP-208ESD

DESCRIPTION: Compact Disc Player

POWER

DIMENSIONS

REQUIREMENTS: 120V AC
60Hz

(WHD): 17" x 3 7/8" x 10 5/8"

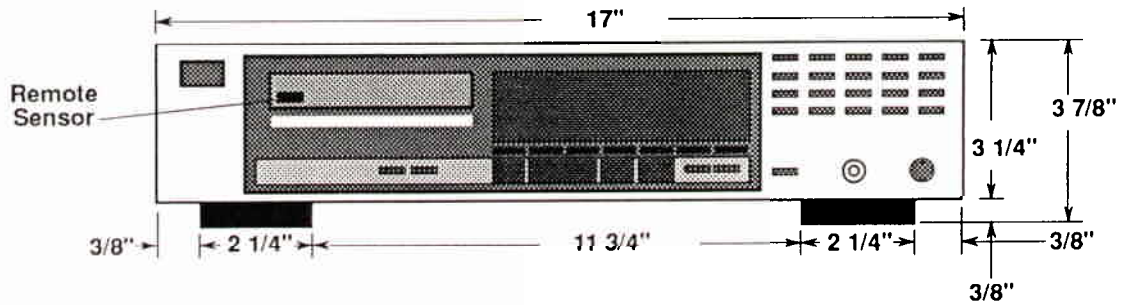
POWER

WEIGHT: 9 lbs. 1 oz.

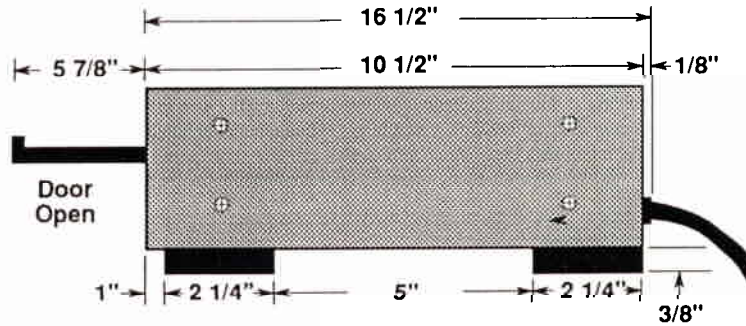
CONSUMPTION: 12 Watts

Scale 4:1

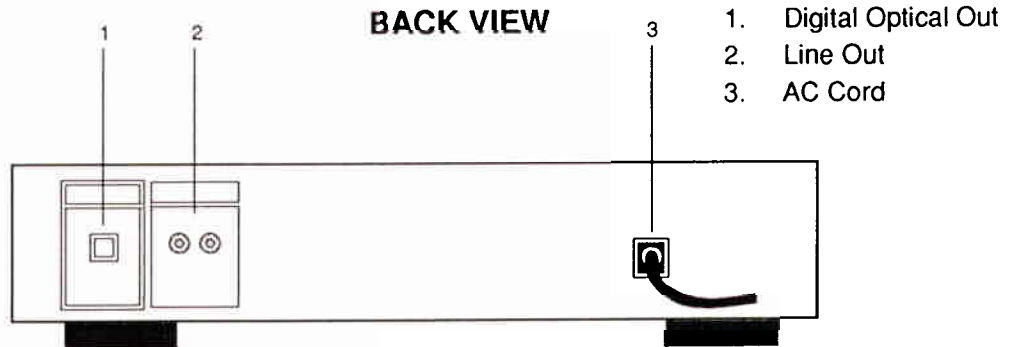
FRONT VIEW



SIDE VIEW



BACK VIEW



Contractor's Notes: